

+ KEYING:

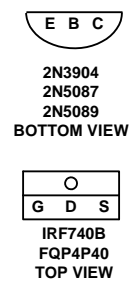
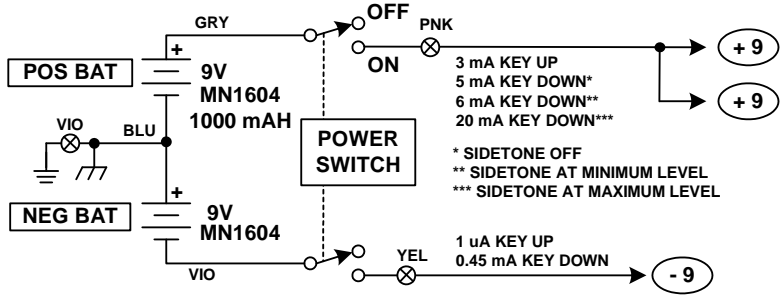
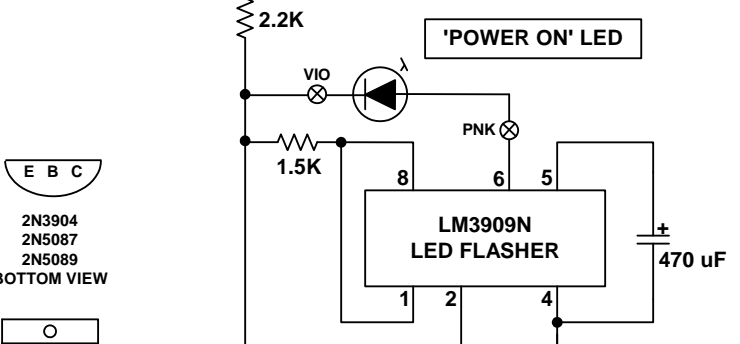
0.03 V @ .05 A
0.05 V @ .1 A
0.16 V @ .3 A
0.23 V @ .5 A
0.34 V @ .7 A
0.50 V @ 1.0 A
1.12 V @ 2.0 A
2.20 V @ 2.5 A

**+ KEYING
400 V MAX**

**- KEYING
-400 V MAX**

- KEYING:

0.14 V @ 0.05 A
0.25 V @ 0.1 A
0.86 V @ 0.3 A
1.50 V @ 0.5 A
2.26 V @ 0.7 A
3.60 V @ 1.0 A



⊗ = BOARD CONNECTION

04/2005
REV 07/2006

KH6GRT KEYER