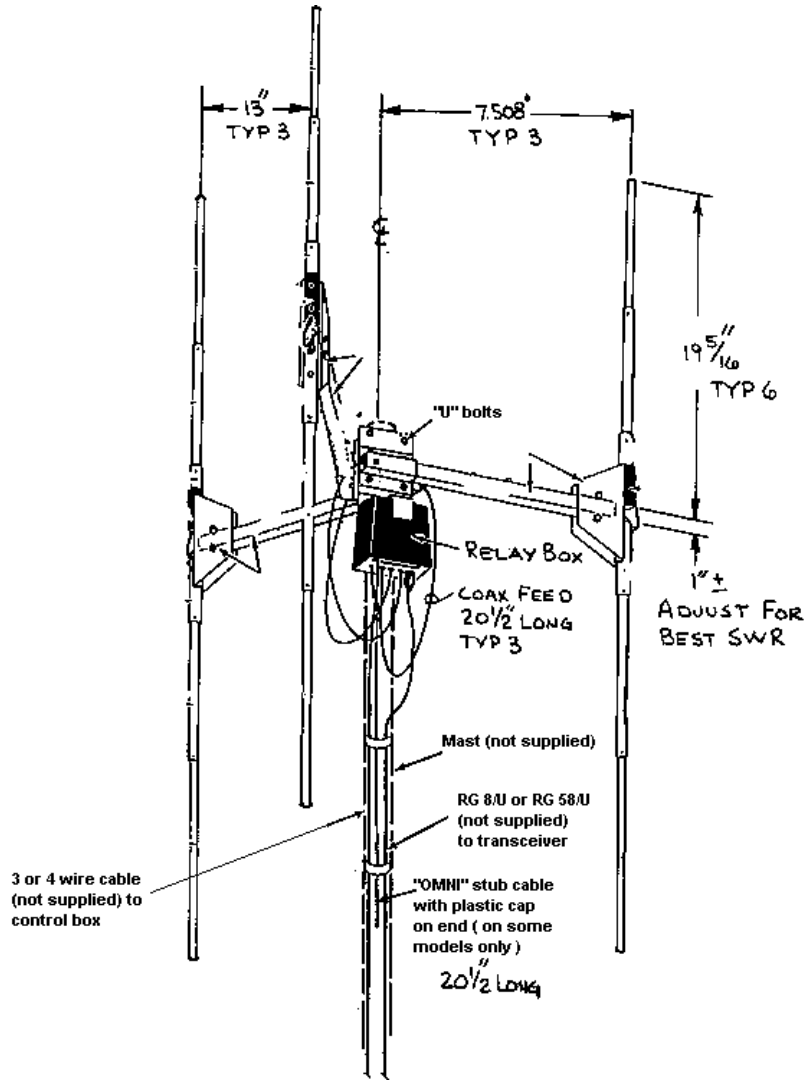


The 2 Meter Super Scanner Antenna

The 2 meter super scanner antenna can be fabricated from any aluminum stock. I used an old tv antenna. The elements on my set up are 5/16" dia. I have had this antenna up for about 3 years. The center of the boom is about 24' high. I tested the antenna before putting it up. The SWR varies from 1.3 to 1.7. Based on the testing and my use over this period of time, I recommend the use of larger dia. tube for the elements. I believe that 3/8" will give a better band width. The dims. that I ended up using are shown the picture.



The easiest way to make one of these antennas is to find an old set that is set up for 11 meters. However, if you decide to build one from scratch, it can be done by following the picture. You will need, in addition, to the antenna a relay box and a control box to electrically switch the elements direction. These boxes can be fabricated from parts available from local supply stores. To build these you will need one of the original super scanner instruction manuals which contains the diagram showing the relay switching. This antenna offers omni and three (3) direction operation. Rejection is good. Direction is good. I have used mine for my base station antenna and works well on low and high power. Please refer to the picture for dims and lengths.

Enjoy, 73 KB9RPS, Steve