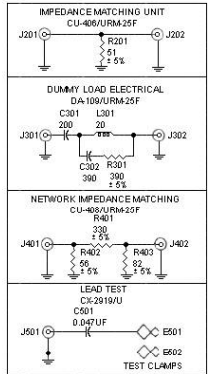
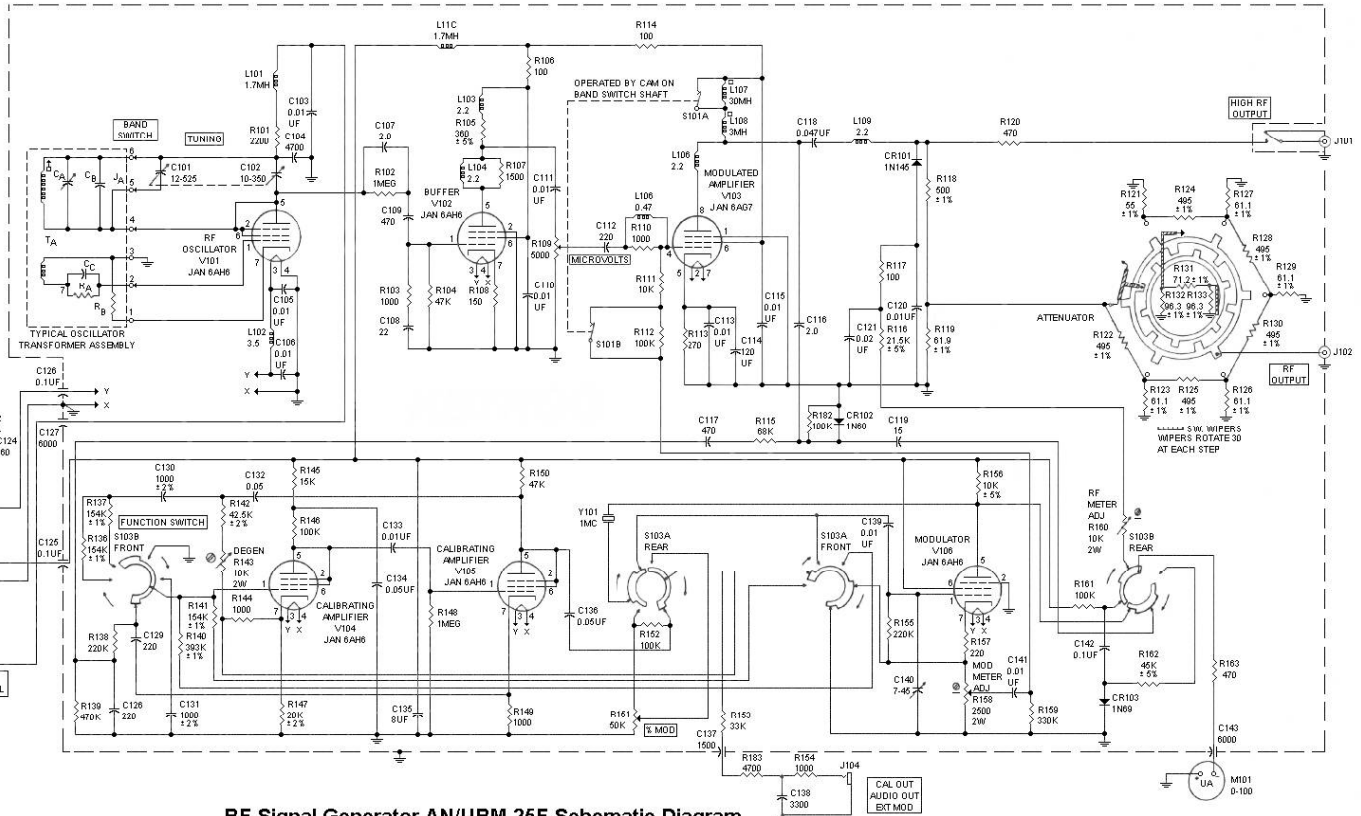
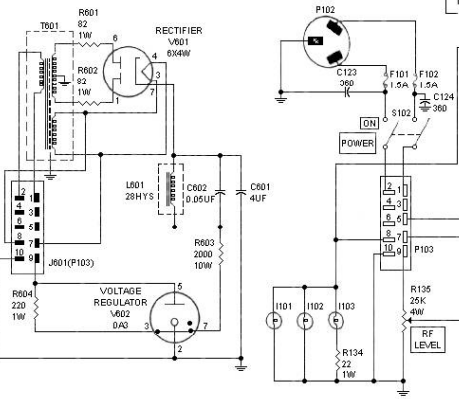


COMPONENT VALUES  
OSCILLATOR TRANSFORMER ASSEMBLY

BAND	FREQ.	SYM. REF.	T <sub>A</sub>	C <sub>A</sub>	C <sub>B</sub>	C <sub>C</sub>	R <sub>A</sub>	R <sub>B</sub>	J <sub>A</sub>
10-26KC	Z101	T102	C146	C147	C148	R148	R149	SHORT	
26-75KC	Z102	T103	C149	C150	C151	R170	R171	SHORT	
75-220KC	Z103	T104	C152	C153	C154	R172	R173	SHORT	
220-600KC	Z104	T105	C155	C156	C157	R174	R175	SHORT	
0.5-1.5MC	Z105	T106	C158	C159	C160	R176	R177	OPEN	
1.5-3.8MC	Z106	T107	C161	C162	C163	R178	R179	SHORT	OPEN
3.8-10MC	Z107	T108	C164	C165	C166	R179	R180	SHORT	OPEN
10-25MC	Z108	T109	C167	C168	C169	R180	R181	SHORT	OPEN
25-50MC	Z109	T110	C170	C171	C172	R181	R182	SHORT	OPEN



NOTE  
 1 UNLESS OTHERWISE SHOWN, RESISTORS ARE IN OHMS  
 CAPACITORS ARE IN UHF  
 INDUCTORS ARE IN UHF  
 RESISTORS ARE 1/2 WATT  
 2 S103 CONTACTS ARE SHOWN VIEWED FROM KNOB END OF SWITCH  
 3 S103 SHOWN IN CALIBRATE POSITION (O)

RF Signal Generator AN/URM-25F Schematic Diagram