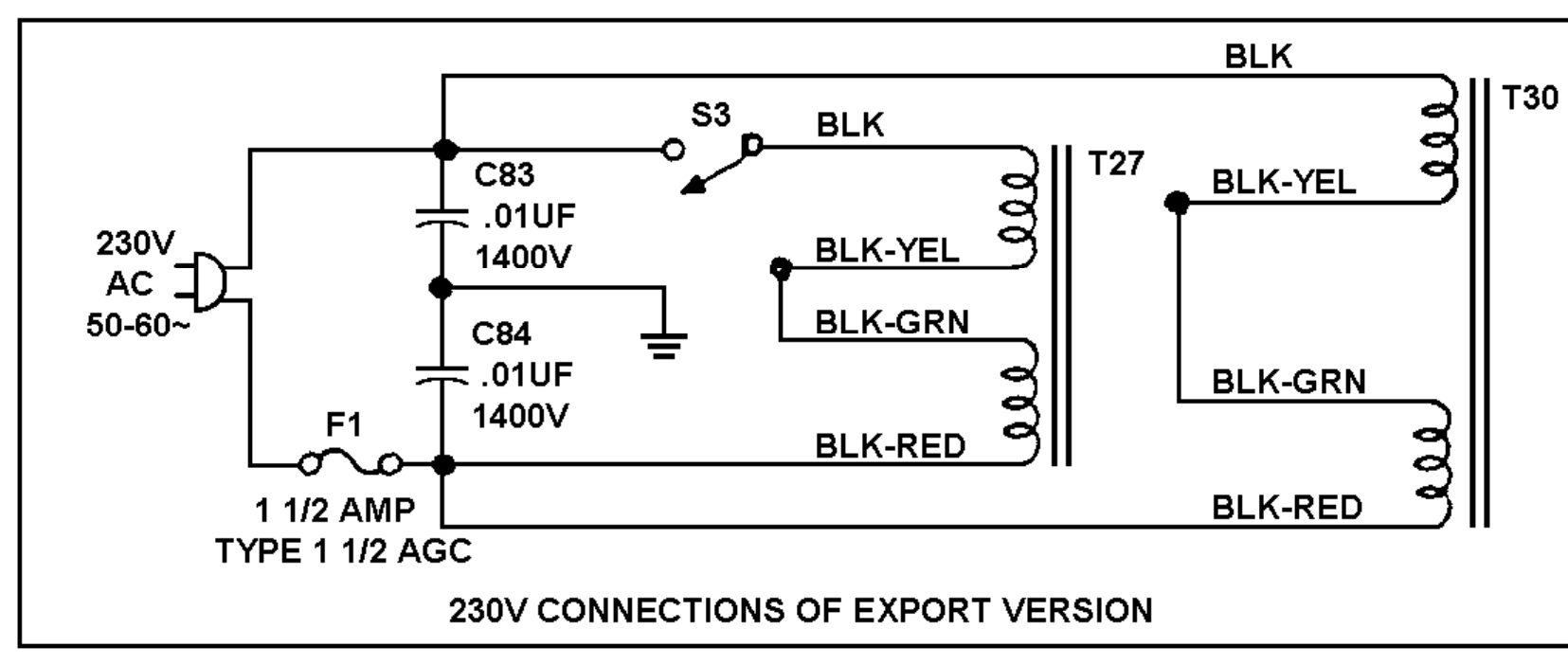
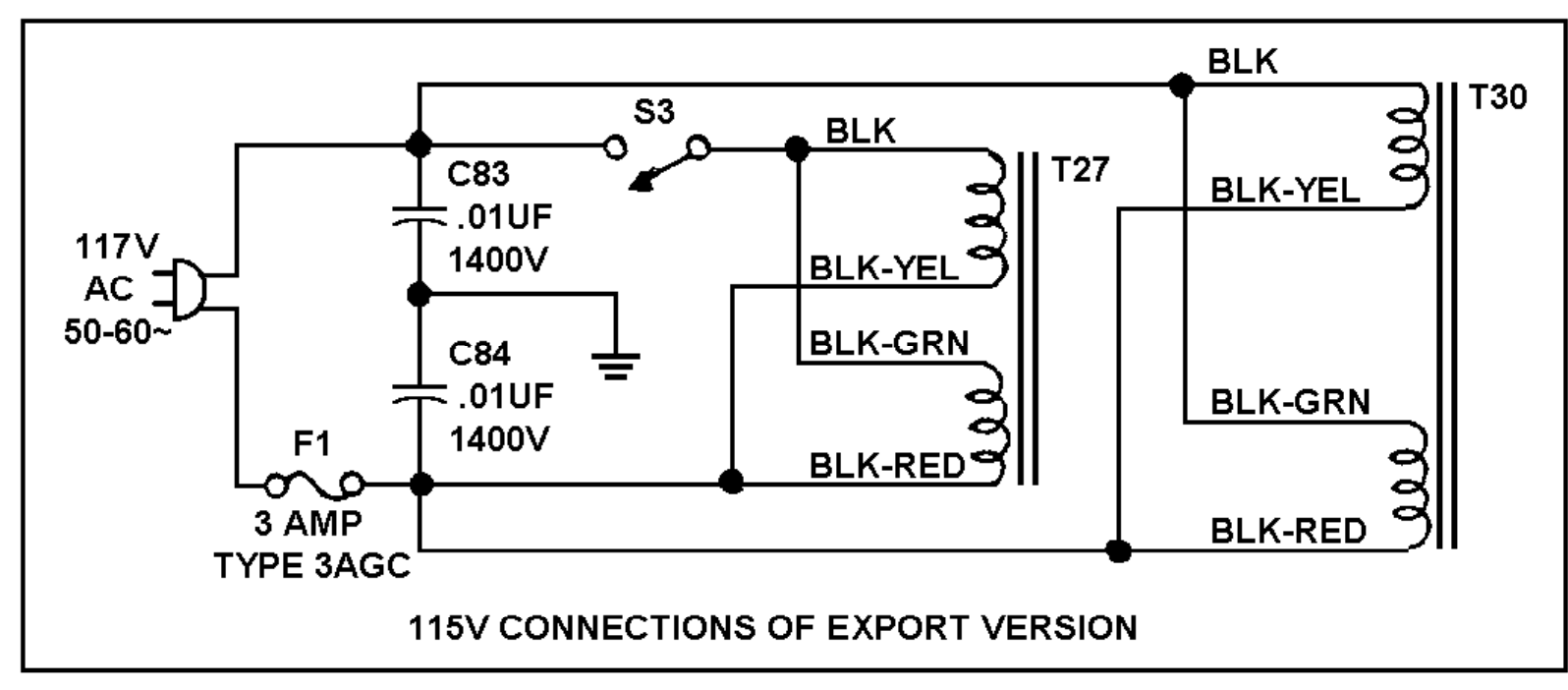


NOTE: \* INDICATES TERMINAL LOCATING LUG  
 ALL RESISTORS 1/2W ± 10% UNLESS OTHERWISE SPECIFIED  
 ALL CAPACITORS MICRO-MICROFARADS UNLESS OTHERWISE SPECIFIED  
 SLOT FREQ - L3 COARSE ADJ. 455KC, C26 FINE ADJ. ON FRONT PANEL  
 VERNIER TUNING - L4 COARSE ADJ. 395KC, C30 FINE ADJ. ON FRONT PANEL  
 SHOWN IN UPPER POS. (PANEL KNOB INDICATES LOWER POS)  
 POS. KNOB POS. NOTE IF ALIGNED AT 60KC WITH UPPER POS. AND S6 ON POS. 1  
 LOWER POS. S5 IN .5KC POS. AND S6 ON POS. 1  
 BOTH POS.



SCHEMATIC DIAGRAM - HQ-170A