

TMS/TWS Series Towers

Largest and Strongest Self-Supporting Tower of its kind.

The TWS/TMS Series are big, massive self-supporting towers designed for one man installation and servicing with antenna capacity second to none. Safely supports up to 24 sq. ft. of antenna in 80 MPH winds or over 40 sq. ft. in 60 MPH winds. Supports large multiple arrays of Telrex, Mosley or Hygain beams without guying. TWS models come with a dual ratio geared raising winch and safety brake. All models come with formed low friction 18 inch section guides and 1/4" 7 x 19 galvanized aircraft raising cables with 7000 lbs. min. strength. Upper sections are supported with dual set of raising cables for maximum safety.

MODEL NO.	O.D. OF SECTION TOP	O.D. OF SECTION BOTTOM	HT. EXT.	HT. COLL.	NO. SECT.	WEIGHT COMPLETE	NET PRICE
TWS-754	14 3/4"	21 5/8"	54"	21' 1"	3	1025#	\$817.95
TWS-771	14 3/4"	25 5/8"	71'	21'10"	4	1575#	\$1291.95

TMS MOTORIZED TOWER

TMS series towers are complete with 1 HP gear head motor drive with solenoid brake 60 to 1 sealed gear box, dual level wind winch and adjustable torque limiter and retraction cable for complete safety. Fully self-supporting with either BTS or BCS base.

TMS-754	14 3/4"	21 5/8"	54"	21' 1"	3	1250#	\$1275.95
TMS-771	14 3/4"	25 5/8"	71'	21'10"	4	1760#	\$1931.95

BCS COMBINATION "DUAL SWING-OVER" tower bases for TMS/TWS

BCS-754 for TMS/TWS-754 towers	400#	\$377.95
BCS-771 for TMS/TWS-771 towers	480#	\$409.95

Complete with anchor bolts and plywood template.

BTS ADJUSTABLE HINGED TOWER BASE

BTS-754 for TMS/TWS-754 towers	85#	\$81.95
BTS-771 for TMS/TWS-771 towers	155#	\$109.95

Complete with anchor bolts and plywood template.

RELAY OPERATED REMOTE CONTROL UNITS FOR TMS TOWERS

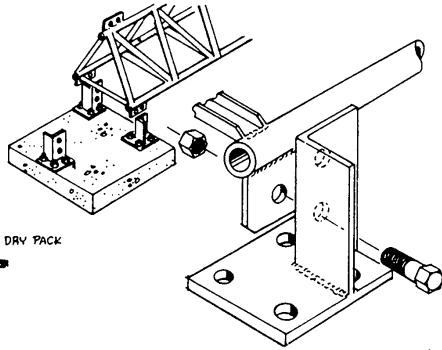
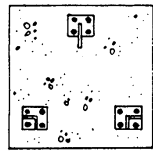
RMC-1000	\$399.95
----------	----------

All prices subject to change without prior notice.

ALL ITEMS ARE HOT-DIPPED GALVANIZED AFTER FABRICATION

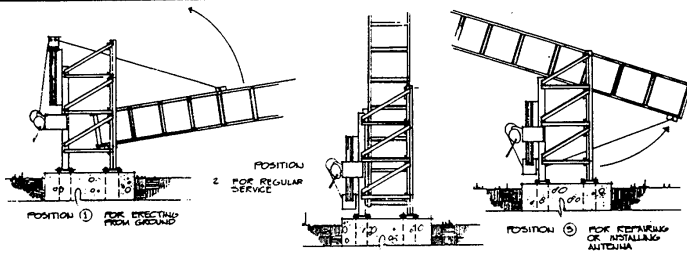
The factory reserves the right to make changes and modifications without serving notice.

TRISTAO TOWER CO. P. O. Box 115, Hanford, California 93230



BTS BASE

The BTS base is a bottom type, adjustable, hinged tower base for the TMS series and TWS series towers. Comes complete with anchor bolts and plywood template and it has a galvanized finish.

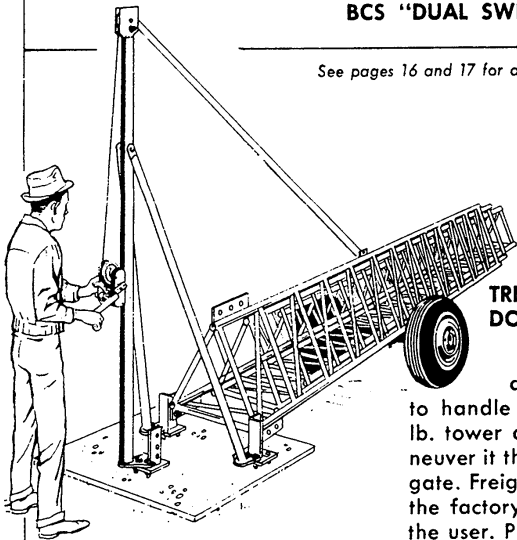


3 STEP INSTALLATION FOR TMS/TWS SERIES

1. The tower is attached to the base in a horizontal position.
2. The tower is erected vertically using the winch and hinge bolts are installed at the top of the base.
3. The tower is in the "swing-over" position for antenna installation (and later for antenna servicing, too!) The base has a galvanized finish.

BCS "DUAL SWING-OVER" BASE

See pages 16 and 17 for additional accessories.

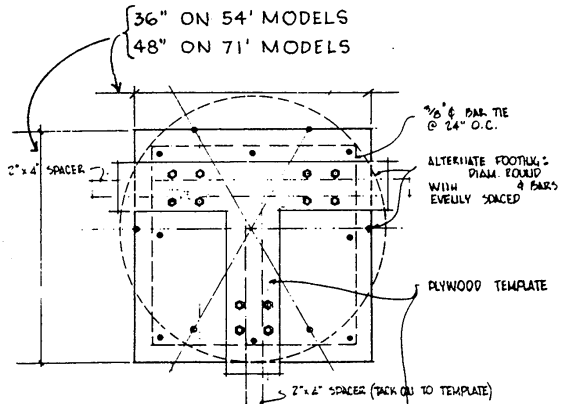


TRM-100 TOWER RAISING FIXTURE \$149.95

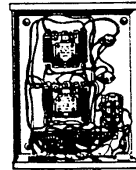
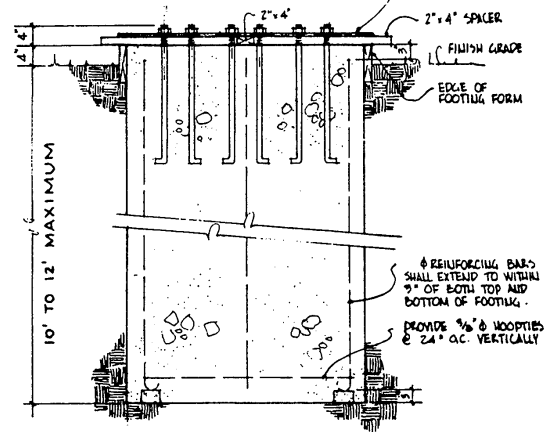
The TRM-100 is a raising fixture design to be used when installing a heavy tower like the TMS/TWS series on a BTS base. The fixture is a loaner and the user pays only the freight to and from the factory. Purchase details on request. The tower dolly and the TRM-100 make installation of this series a one man job.

TRISTAO TOWER DOLLY "LOANER"

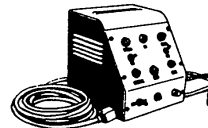
The dolly allows one man to handle up to a 4000 lb. tower and easily maneuver it thru a scant 32" gate. Freight to and from the factory is charged to the user. Purchase details on request.



PLAN VIEW OF FOOTING

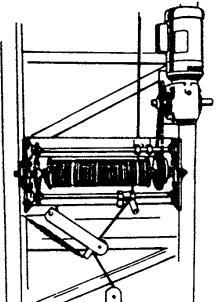


SHOWN WITHOUT FRONT COVER



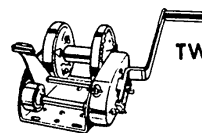
RMC-1000

Relay operated remote motor-controlled unit with Built-in time delay-relays, limit switches and desk type Control Cabinet. Weight 35 lbs.



TMS MOTORIZED TOWER

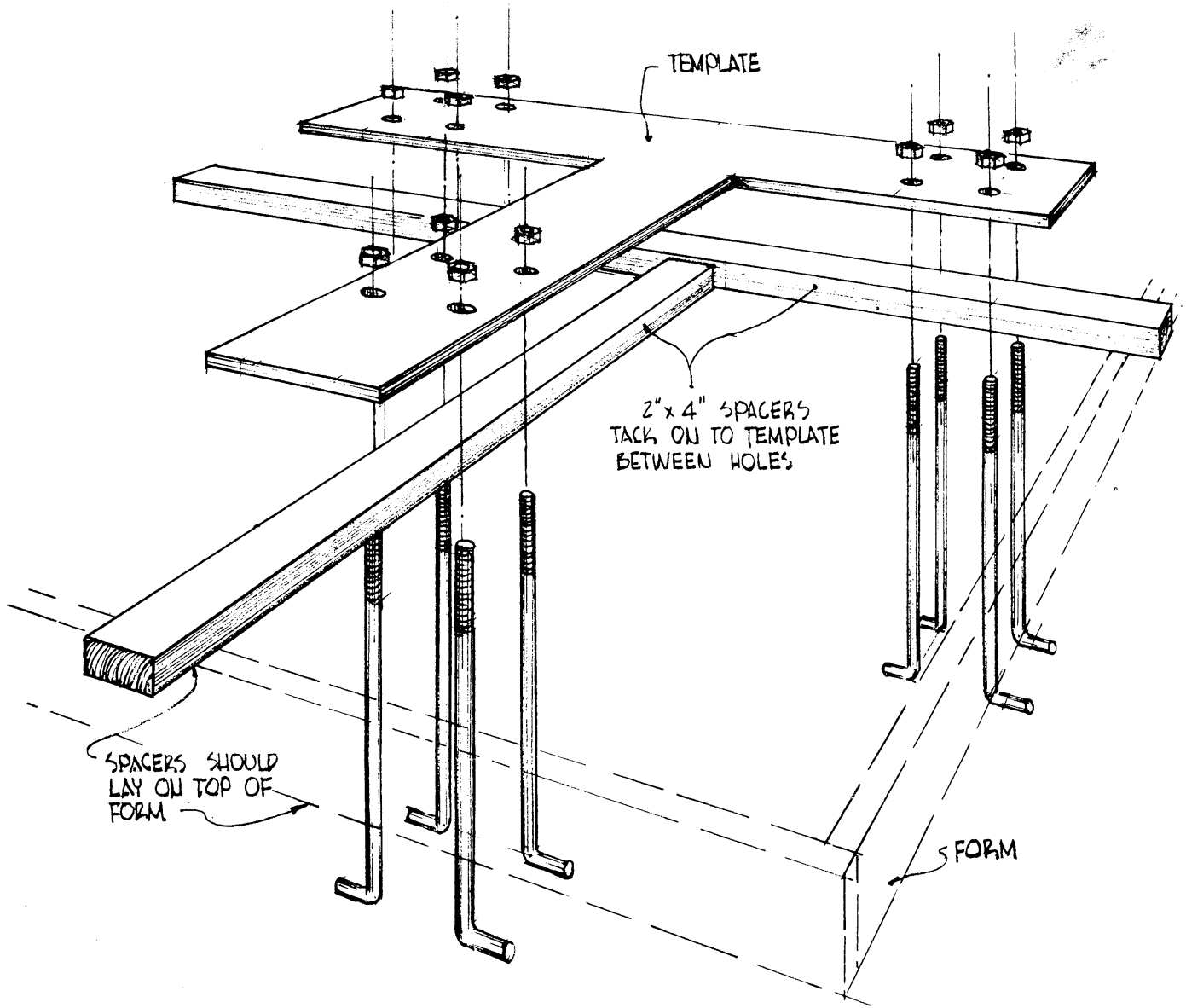
TMS - 754 has one H.P. geared drive unit and adjustable torque limiting clutch for maximum safety. TMS-771 uses one H.P. motor drive unit.



TWS SERIES

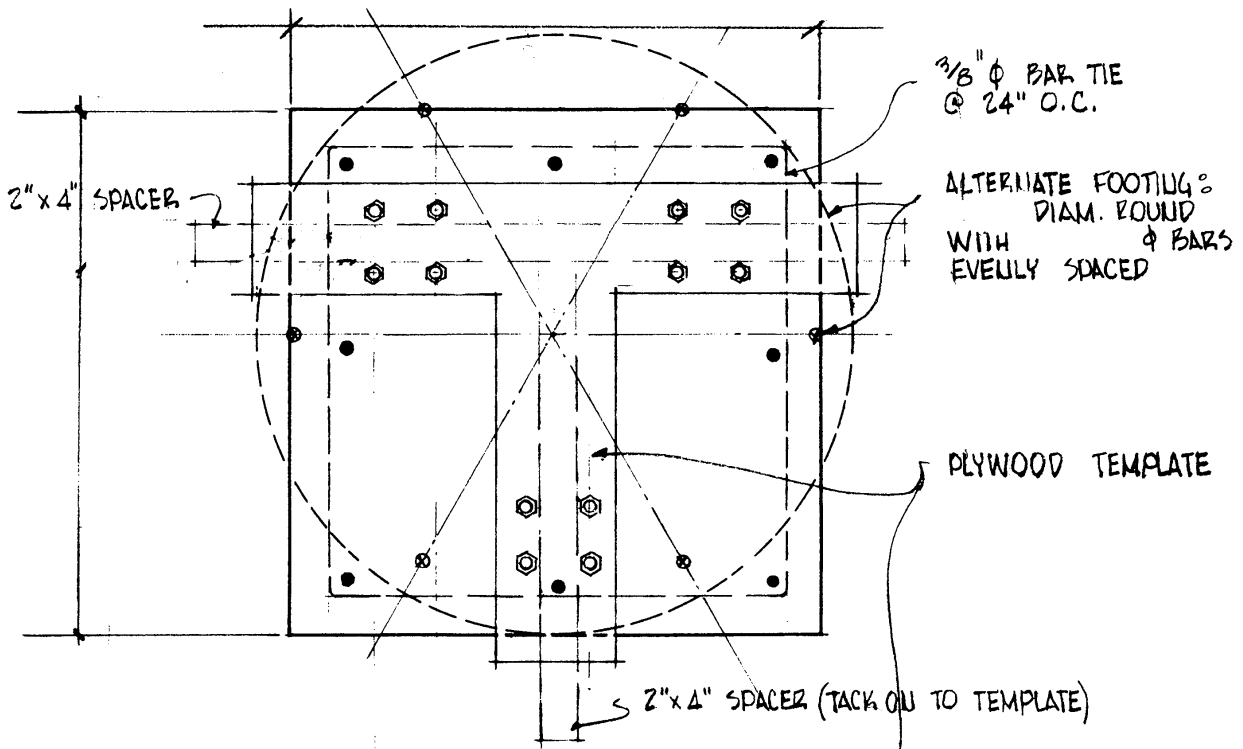
TWS Series easily converted to motor operation.

Uses W-6850 drive ratio 12 to 1, 6 to 1, 2 speed winch. The winch has 2500 lb. capacity and brake for maximum safety.

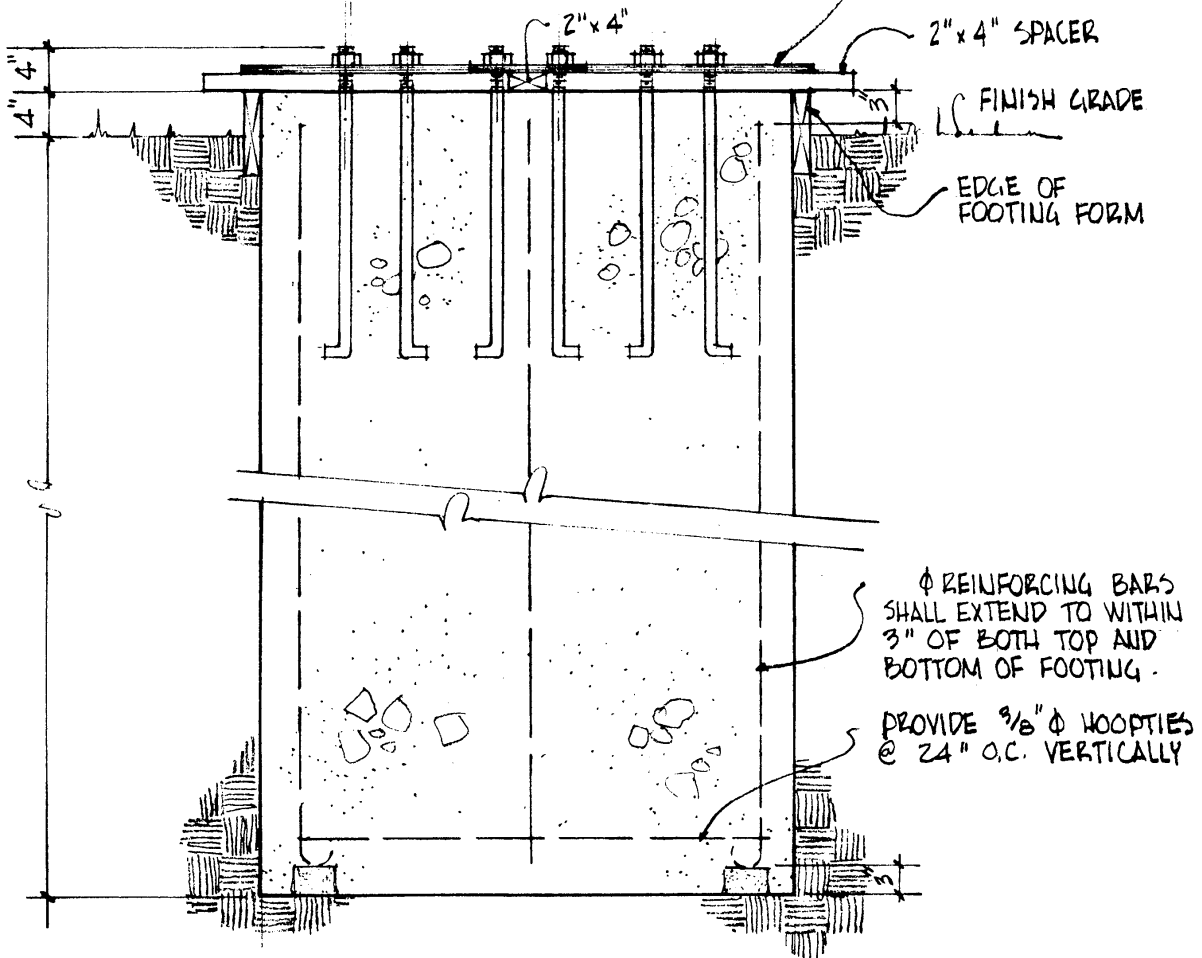


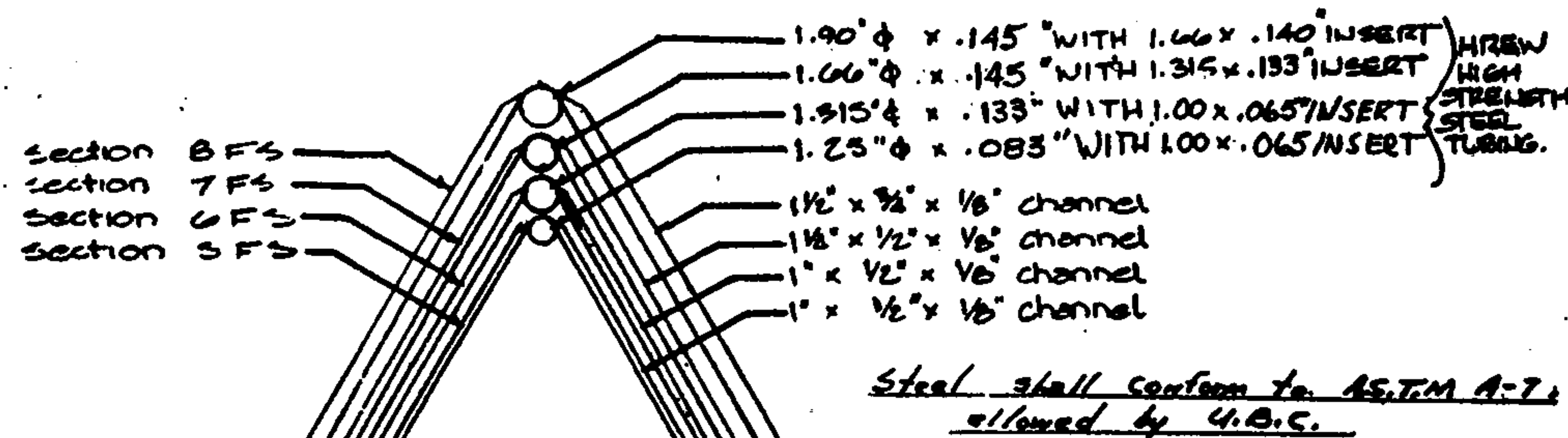
PLACEMENT OF BOLTS & TEMPLATE

TACK 2" x 4" SPACERS ON PLYWOOD TEMPLATE BETWEEN HOLES TO EXTEND BEYOND FORM. INSERT BOLTS THRU HOLES IN TEMPLATE — ADJUST BOLTS BY TURNING NUTS UNTIL BOLT ENDS ARE ABOUT 4" ABOVE TOP OF FORM. POSITION TEMPLATE ON FOOTING, AND EITHER PRESS BOLTS DOWN INTO WET CONCRETE OR POUR CONCRETE UP AROUND BOLTS SUSPENDED FROM TEMPLATE.

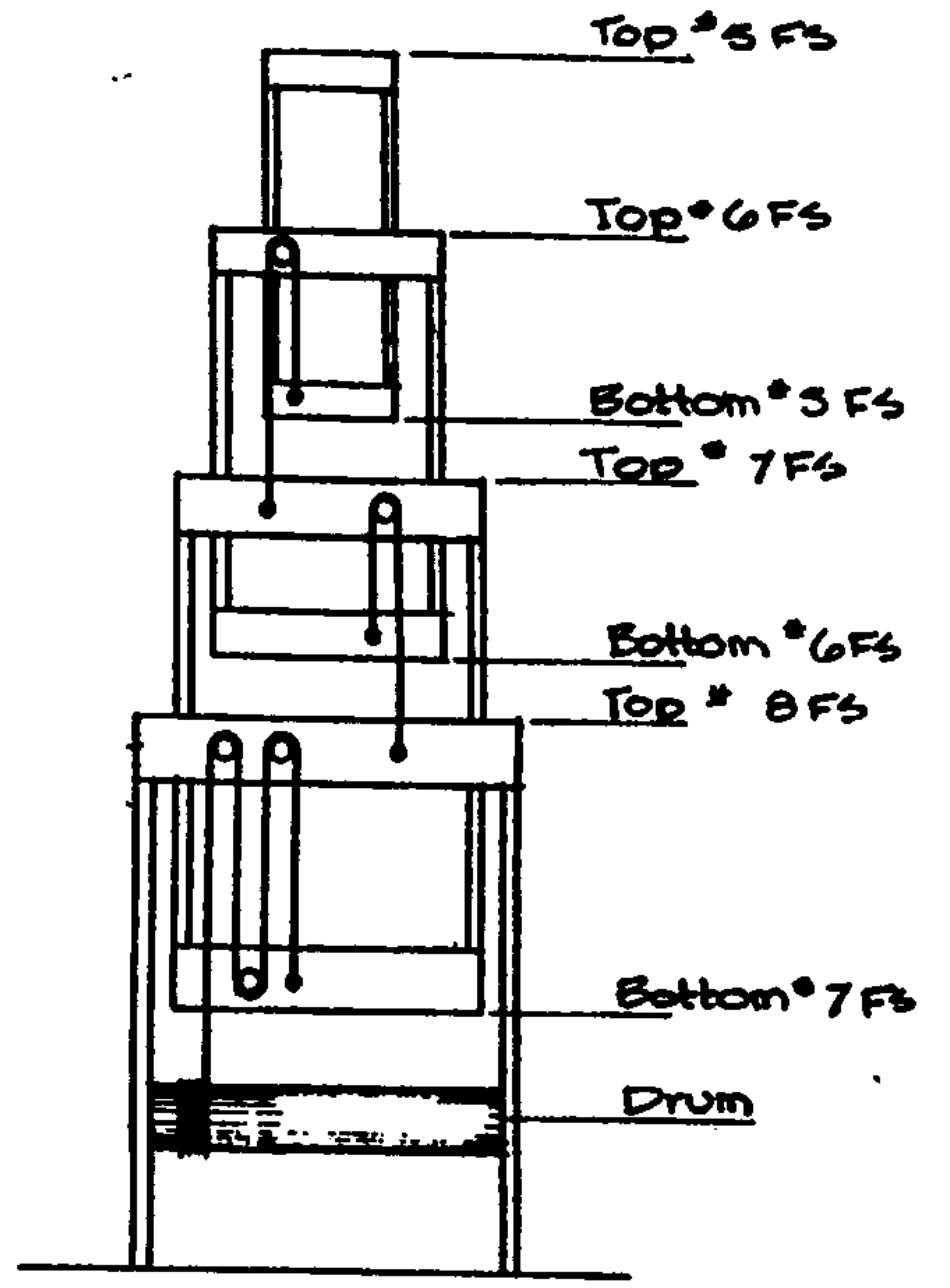


PLAN VIEW OF FOOTING

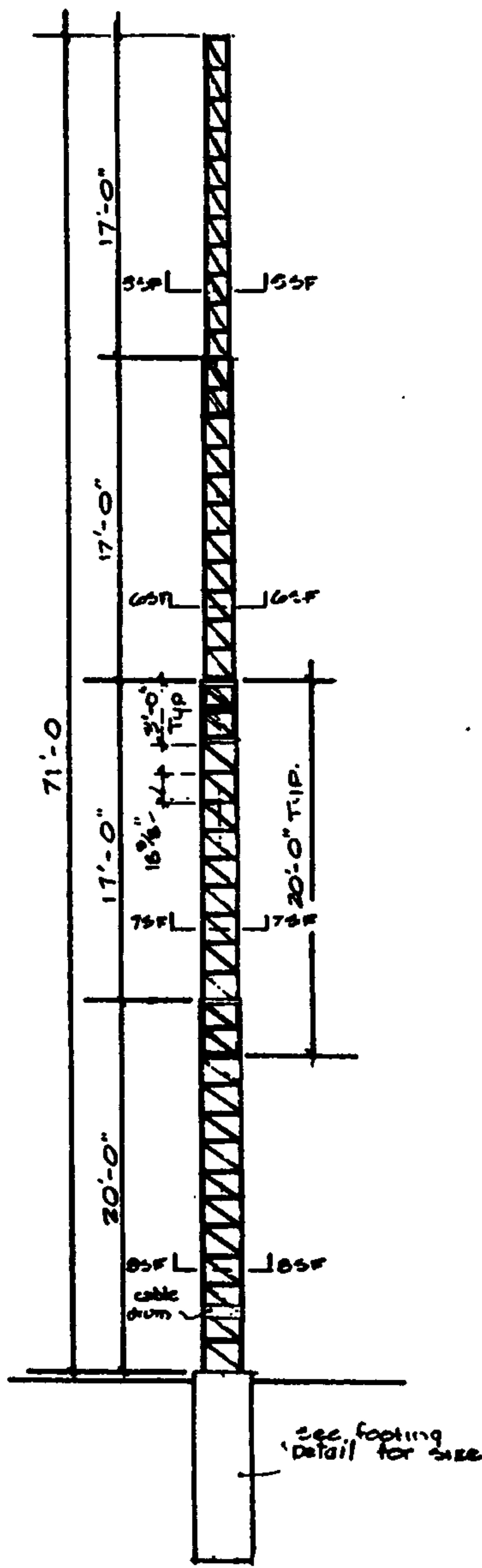




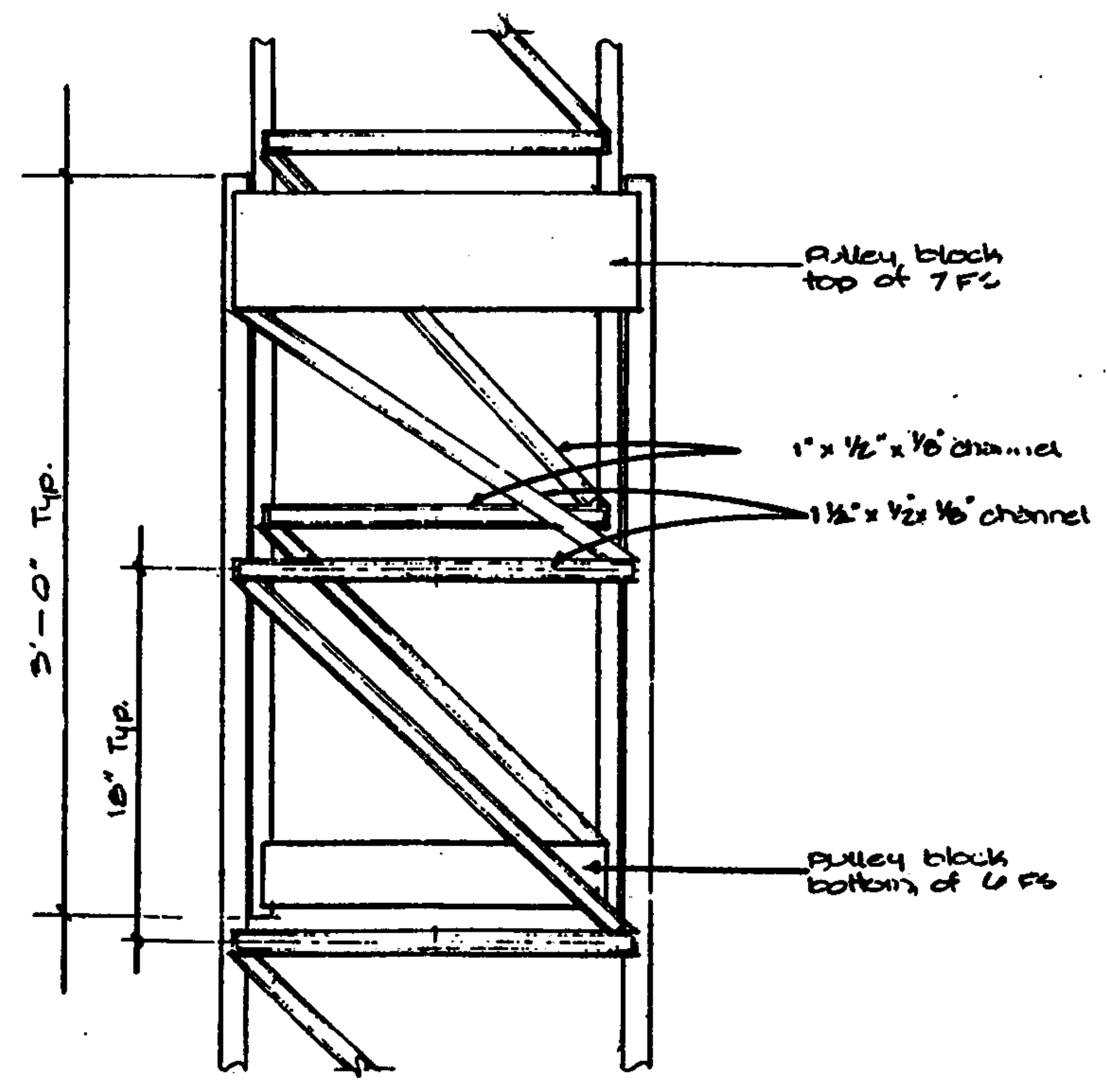
TYPICAL SECTIONS (free standing tower)
1/2" = 1'-0"



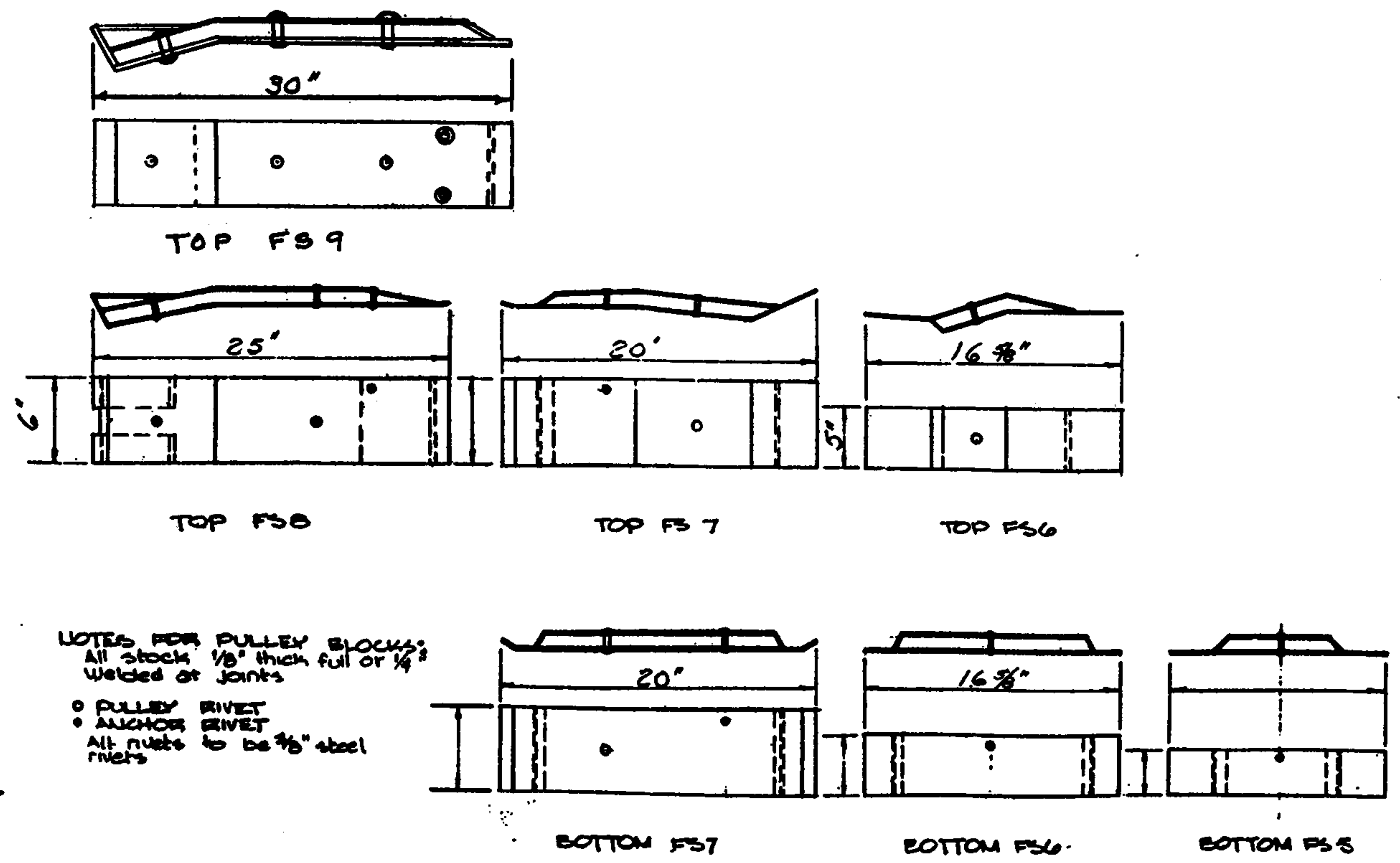
TYPICAL CABLE SCHEMATIC



TYPICAL ELEVATION (self supporting)
SCALE 1/8" = 1'-0"



TYPICAL LAP (sections 6 FS & 7 FS shown)
1/2" = 1'-0"



PULLEY BLOCKS

Alvin Dorman
 (Cal. CE 8359)
 (Ariz. CE 1846)
 (Oregon CE 4763)
CRANK-UP SELF-SUPPORTING TOWERS
TMS / TWS SERIES
TRISTAO TOWER CO.
HANFORD CALIFORNIA

