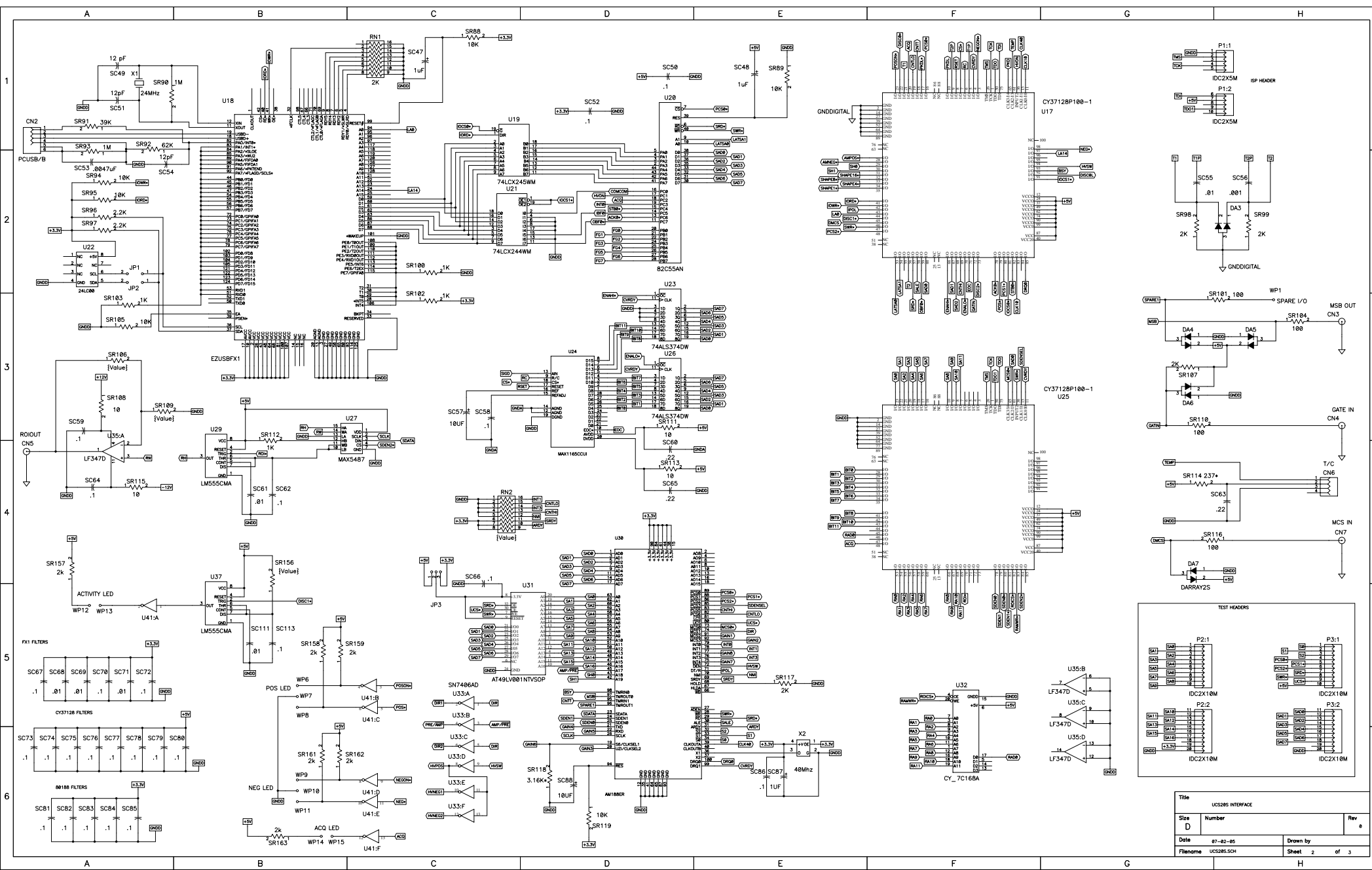
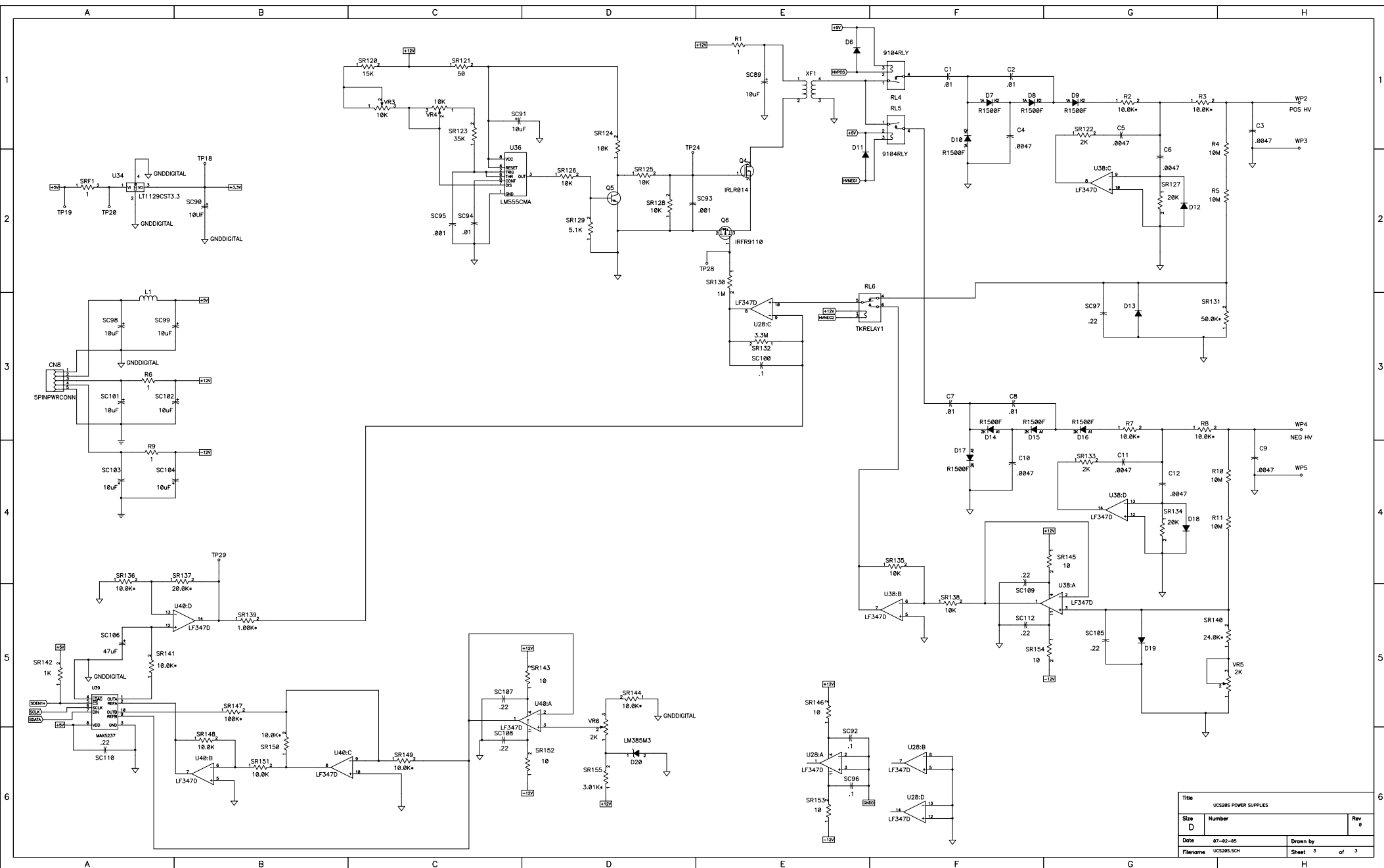


Title	UC3285 ANALOG		
Size	D	Number	Rev
Date	e7-02-05	Drawn by	
Filename	UC3285.SCH	Sheet	1 of 3



Title UC5285 INTERFACE		
Size D	Number 2	Rev #
Date 87-82-85	Drawn by	
Filename UC5285.SCH	Sheet 2	of 3



Title			UC5285 POWER SUPPLIES		
Size	Number			Rev	
Date	07-02-05	Drawn by			
Filename	UC5285.SCH	Sheet		3 of 3	