

PROFESSIONAL DIGITAL TWO-WAY RADIO

MOTOTRBO™

SYSTEM PLANNER



Section 1 *Introduction*

1.1 Welcome to MOTOTRBO™!	1
1.2 Software Version	2

Section 2 *System Feature Overview*

2.1 MOTOTRBO Digital Radio Technology	3
2.1.1 Digital Radio Technology Overview	3
2.1.1.1 Part One: The Analog to Digital Conversion	3
2.1.1.2 Part Two: The Vocoder and Forward Error Correction (FEC)	3
2.1.1.3 Part Three: Framing	4
2.1.1.4 Part Four: TDMA Transmission	4
2.1.1.5 Standards Compliance	4
2.1.2 Spectrum Efficiency via Two-Slot TDMA	5
2.1.2.1 Frequencies, Channels, and Requirements for Spectrum Efficiency	5
2.1.2.2 Delivering Increased Capacity in Existing 12.5 kHz Channels	5
2.1.2.3 Two-Slot TDMA Reduces Infrastructure Equipment	7
2.1.2.4 Two-Slot TDMA Enables System Flexibility	8
2.1.2.5 Two-Slot TDMA System Planning Considerations	9
2.1.3 Digital Audio Quality and Coverage Performance	9
2.1.3.1 Digital Audio Coverage	10
2.1.3.2 Predicting Digital Audio Coverage	11
2.1.3.3 User Expectations for Digital Audio Performance	12
2.1.3.4 Audio Balancing	13
2.2 Basic System Topologies for Digital and Analog Operations	14
2.2.1 Repeater and Direct Mode Configurations	14
2.2.1.1 Analog Repeater Mode	15
2.2.1.2 Digital Repeater Mode	15
2.2.1.3 Dynamic Mixed Mode	15
2.2.1.4 IP Site Connect Mode	16
2.2.1.5 Capacity Plus Mode	18
2.2.1.6 Linked Capacity Plus Mode	20
2.2.2 MOTOTRBO Supports Analog and Digital Operation	21
2.2.3 MOTOTRBO Channel Access	22
2.2.3.1 Impolite Operation (Admit Criteria of “Always”)	23
2.2.3.2 Polite to All Operation (Admit Criteria of “Channel Free”)	23
2.2.3.3 Polite to Own Digital System Operation (Admit Criteria of “Color Code Free”)	24
2.2.3.4 Polite to Other Analog System Operation (Admit Criteria of “Correct PL”)	24

2.2.3.5 Polite or Impolite, or Voice Interrupt While Participating in a Call (In Call Criteria)	24
2.2.3.6 Repeater Wake-up Provisioning	25
2.3 MOTOTRBO Digital Features	26
2.3.1 Digital Voice Features	26
2.3.1.1 Group Calls	26
2.3.1.2 Private Calls	27
2.3.1.3 All Call	28
2.3.1.4 DTMF Hot Keypad	28
2.3.2 Transmit Interrupt	29
2.3.2.1 Upgrading a System to be Transmit Interrupt Capable	31
2.3.3 Digital Signaling Features	31
2.3.3.1 PTT ID and Aliasing	32
2.3.3.2 Radio Enable/Disable	32
2.3.3.3 Remote Monitor	33
2.3.3.4 Radio Check	34
2.3.3.5 Call Alert	34
2.3.3.6 Remote Voice Dekey	34
2.3.4 Digital Emergency	35
2.3.4.1 Emergency Alarm Only	39
2.3.4.2 Emergency Alarm and Call	40
2.3.4.3 Emergency Alarm with Voice to Follow	41
2.3.4.4 Emergency Voice Interrupt for Emergency Alarm	42
2.3.4.5 Emergency Voice Interrupt for Emergency Voice	43
2.3.5 Restricted Access to System (RAS)	44
2.3.5.1 Restricted Access to System (RAS) Key Authentication	44
2.3.5.2 Radio ID Range Check	44
2.4 MOTOTRBO Integrated Data	45
2.4.1 Overview	45
2.4.2 Text Messaging Services	46
2.4.2.1 Built-In Text Messaging Service	47
2.4.2.2 Services Provided to a Third-Party Text Message Application	48
2.4.2.3 Predictive Text Entry	48
2.4.3 Location Services	50
2.4.3.1 Performance Specifications	51
2.4.3.2 Services Provided to a Radio User	52
2.4.3.3 Services Provided to a Location Application	52
2.4.3.4 Services Provided by the MOTOTRBO Location Services Application	53
2.4.3.5 GPS Revert Channel	54
2.4.3.6 Enhanced GPS Revert Channel	55

2.4.3.7 Data Revert Channel	62
2.4.4 Telemetry Services	63
2.4.4.1 Physical Connection Information	64
2.4.4.2 Telemetry Examples	64
2.4.5 Data Precedence and Data Over Voice Interrupt.....	65
2.5 Scan	66
2.5.1 Priority Sampling	67
2.5.2 Channel Marking	68
2.5.3 Scan Considerations	69
2.5.3.1 Scanning and Preamble	70
2.5.3.2 Channel Scan and Last Landed Channel	71
2.5.3.3 Scan Members with Similar Receive Parameters.....	72
2.5.4 Transmit Interrupt and Scan.....	74
2.6 Site Roaming.....	75
2.6.1 Passive Site Searching	76
2.6.2 Active Site Searching	78
2.6.3 Roaming Considerations.....	80
2.6.3.1 Configuring a Roam List	80
2.6.3.2 Scan or Roam.....	82
2.6.3.3 Configuring the Roaming RSSI Threshold.....	82
2.6.3.4 Setting Beacon Duration and Beacon Interval.....	87
2.6.3.5 Emergency Revert, GPS/Data Revert, and Roaming Interactions	89
2.6.3.6 Performance while Roaming.....	91
2.6.3.7 ARS Registration on Roaming.....	92
2.7 Voice and Data Privacy	92
2.7.1 Types of Privacy.....	92
2.7.2 Strength of the Protection Mechanism	93
2.7.3 Scope of Protection.....	93
2.7.4 Effects on Performance.....	94
2.7.5 User Control Over Privacy	94
2.7.6 Privacy Indications to User.....	96
2.7.7 Key Mismatch.....	97
2.7.8 Keys and Key Management.....	97
2.7.9 Multiple Keys in a Basic Privacy System	98
2.7.10 Data Gateway Privacy Settings.....	99
2.7.11 Protecting One Group's Message from Another	100
2.7.12 Updating from Basic Privacy to Enhanced Privacy	100
2.8 Repeater Diagnostics and Control (RDAC).....	101
2.8.1 Connecting Remotely via the Network.....	103

2.8.2 Connecting Locally via the USB.....	104
2.8.3 Connecting Locally via GPIO Lines.....	105
2.8.3.1 RDAC Local Settings Rear Accessory Port CPS Programmable Pins	106
2.8.4 Redundant Repeater Setup	107
2.8.5 Dual Control Considerations	108
2.8.6 General Considerations When Utilizing the RDAC Application to Set Up the Network Connection	109
2.9 IP Repeater Programming (IRP)	110
2.9.1 System Configuration for IRP Support.....	110
2.10 Over-the-Air Radio Programming (OTAP).....	112
2.10.1 Basic Deployments of OTAP Software	113
2.10.1.1 Local Single Channel Configuration	113
2.10.1.2 Local Single Channel Configuration with Presence Notifier (PN)	114
2.10.1.3 Remote Client Configuration.....	115
2.10.1.4 Remote Client Configuration with Multiple CPS Servers	115
2.10.1.5 Remote Device Programmer Configuration.....	116
2.10.1.6 Multi-Channel Configuration	117
2.10.2 Process Flow for Over-the-Air Programming	117
2.10.2.1 Initial Programming of the Essential Communication Parameters into the Radio via Wired CPS	118
2.10.2.2 Populating the CPS Server with Current Radio Configurations.....	119
2.10.2.3 Modifying the Radio Configurations within the CPS Server.....	121
2.10.2.4 Delivering the Modified Radio Configurations to the Radios	121
2.10.2.5 Applying (or Switching Over) the Delivered Radio Configurations.....	122
2.11 Voice Operated Transmission (VOX)	124
2.11.1 Operational Description.....	124
2.11.2 Usage Consideration.....	124
2.11.2.1 Suspending VOX	124
2.11.2.2 Talk Permit Tone	124
2.11.2.3 Emergency Calls.....	125
2.11.2.4 Transmit Interrupt	125
2.12 Lone Worker	125
2.13 Bluetooth™ Support	126
2.13.1 Bluetooth Pairing and Connection.....	126
2.13.1.1 Pairing a Bluetooth Device with Display Radios	126
2.13.1.2 Pairing a Bluetooth Device with Non-Display Radios	126
2.13.2 Bluetooth Headset/PTT and Radio Operation.....	127

2.13.2.1 Radio Operation with COTS Headset.....	127
2.13.2.2 Radio Operation with Motorola Headset/PTT	127
2.13.2.3 Radio Operation with Motorola PTT Only Device (POD).....	127
2.13.3 Bluetooth Barcode Scanner Operation	128
2.13.4 Bluetooth Personal Area Networking (PAN) Operation.....	128
2.13.5 Recommended Bluetooth Devices.....	129
2.13.6 Avoiding Accidental Connection.....	129
2.14 One Touch Home Revert Button	130
2.15 Password and Lock Feature (Radio Authentication)	130
2.16 Digital Telephone Patch (DTP).....	131
2.16.1 Phone Call Initiation	131
2.16.1.1 Call Initiation by a Radio User	132
2.16.1.2 Call Initiation by a Phone User	132
2.16.2 During a Phone Call.....	133
2.16.3 Ending a Phone Call	134
2.16.4 Digital Telephone Patch System Configuration.....	135
2.16.4.1 Phone Patch in Single Site and IP Site Connect Local Area Channels (LAC)	135
2.16.4.2 Phone Patch in IP Site Connect Wide Area Channels (WAC).....	137
2.16.4.3 Phone Patch in Capacity Plus	139
2.17 Analog Features	139
2.17.1 Analog Voice Features.....	140
2.17.2 MDC Analog Signaling Features.....	140
2.17.3 Quik-Call II Signaling Features	141
2.17.4 Analog Scan Features	142
2.17.5 Analog Repeater Interface	142
2.17.5.1 Analog Repeater Interface Settings.....	142
2.17.5.2 Configuration Summary Table	147
2.17.5.3 Configuration Considerations	148
2.17.6 Auto-Range Transponder System (ARTS).....	151
2.17.7 TX Inhibit Quick Key Override.....	152
2.17.8 Alert Tone Fixed Volume.....	152
2.17.9 Alert Tone Auto Reset.....	153
2.17.10 Emergency Permanent Sticky Revert	153
2.17.11 Comparison Chart.....	153
2.18 Third Party Application Partner Program.....	156
2.18.1 MOTOTRBO, the Dealer, and the Accredited Third-Party Developer.....	156
2.18.2 MOTOTRBO Applications Interfaces	156
2.18.2.1 ADP Interface with IP Site Connect	158
2.18.2.2 ADP Interface with Capacity Plus	159

2.18.2.3 ADP Interface with IP Site Connect and Capacity Plus	160
2.18.3 MOTOTRBO Documents Available via the Third Party Application Partner Program.....	161
2.18.4 Available Levels of Partnership.....	162

Section 3 *System Components and Topologies*

3.1 System Components	165
3.1.1 Fixed End Components.....	165
3.1.1.1 Repeater	165
3.1.1.2 MTR3000 Base Station/Repeater	167
3.1.1.3 MTR3000 Satellite Receiver	170
3.1.1.4 Radio Control Station.....	172
3.1.1.5 MC1000, MC2000, MC2500 Console	172
3.1.2 Mobile Components	173
3.1.2.1 MOTOTRBO Portable.....	174
3.1.2.2 MOTOTRBO Mobile	179
3.1.3 Data Applications	184
3.2 /dual capacity direct mode System Topologies	184
3.2.1 Direct Mode/Dual Capacity Direct Mode (DCDM).....	184
3.2.1.1 Digital MOTOTRBO Radios in Direct Mode/Dual Capacity Direct Mode.....	185
3.2.1.2 Interoperability between Analog MOTOTRBO Radios and Analog Radios in Direct Mode.....	196
3.2.1.3 Interoperability between Digital MOTOTRBO Radios, Mixed Mode MOTOTRBO Radios, and Analog Radios in Direct Mode.....	197
3.2.1.4 Direct Mode Spectrum Efficiency.....	197
3.2.2 Dual Capacity Direct Mode	198
3.2.2.1 General Information	198
3.2.2.2 Timeslot Synchronization.....	198
3.2.2.3 Channel Timing Leader (CTL) Preference.....	198
3.2.2.4 Color Code.....	199
3.2.2.5 Channel Access Rule	199
3.2.2.6 Scan.....	199
3.2.2.7 Interoperability and Backward Compatibility	199
3.2.2.8 Revert Features	200
3.2.3 Repeater Mode	200
3.2.3.1 Digital MOTOTRBO Radios in Repeater Mode	201
3.2.3.2 Analog MOTOTRBO Radios in Repeater Mode	217
3.2.4 IP Site Connect Mode	218
3.2.4.1 Topologies of IP Site Connect System	219
3.2.5 Capacity Plus Mode	229

3.2.5.1 Topologies of Capacity Plus System	229
3.2.6 Linked Capacity Plus (LCP) Mode	235
3.2.6.1 Topologies of Linked Capacity Plus System.....	236
Section 4 System Design Considerations	
4.1 Purpose	241
4.2 Analog to Digital Migration Plans	241
4.2.1 Pre-Deployment System Integration	241
4.2.2 Analog to Digital Preparation and Migration.....	242
4.2.3 New/Full System Replacement	243
4.3 Frequency Licensing	244
4.3.1 Acquiring New Frequencies (Region Specific).....	244
4.3.2 Converting Existing 12.5/25 kHz Licenses.....	245
4.3.3 Repeater Continuous Wave Identification (CWID).....	245
4.4 Digital Repeater Loading.....	246
4.4.1 Assumptions and Precautions.....	246
4.4.2 Voice and Data Traffic Profile	247
4.4.3 Estimating Loading (Single Repeater and IP Site Connect)	248
4.4.4 Estimating Loading (For Capacity Plus).....	249
4.4.5 Estimating Loading (For Linked Capacity Plus)	252
4.4.6 Loading Optimization (For Single Repeater and IP Site Connect).....	253
4.4.6.1 Distribution of High Usage Users.....	253
4.4.6.2 Minimize Location Periodic Update Rate.....	254
4.4.6.3 Data Application Retry Attempts and Intervals	256
4.4.6.4 Optimize Data Application Outbound Message Rate	256
4.4.6.5 GPS Revert and Loading.....	257
4.4.6.6 Enhanced GPS Revert – Loading & Reliability.....	260
4.4.7 Loading Optimization (For Capacity Plus and Linked Capacity Plus).....	264
4.4.7.1 Preference for Using a Frequency.....	264
4.4.7.2 Improving Channel Capacity by Adjusting Hang Times.....	264
4.4.7.3 Call Priority	265
4.4.7.4 Call Initiation	265
4.5 Multiple Digital Repeaters in Standalone Mode	266
4.5.1 Overlapping Coverage Area.....	266
4.5.2 Color Codes in a Digital System	267
4.5.3 Additional Considerations for Color Codes	268
4.6 Multiple Digital Repeaters in IP Site Connect Mode.....	269
4.6.1 System Capacity	269
4.6.2 Frequencies and Color Code Considerations	269
4.6.3 Considerations for the Backend Network.....	270

4.6.3.1 Automatic Reconfiguration.....	271
4.6.3.2 Characteristics of Backend Network.....	272
4.6.4 Flow of Voice/Data/Control Messages.....	279
4.6.5 Security Considerations.....	280
4.6.6 General Considerations When Setting Up the Network Connection for an IP Site Connect System.....	281
4.6.7 Considerations for Shared Use of a Channel.....	282
4.6.8 Migration from Single Site Systems.....	284
4.6.9 Migration from an Older IP Site Connect System.....	284
4.7 Multiple Digital Repeaters in Capacity Plus.....	285
4.7.1 System Capacity.....	285
4.7.2 Frequencies and Color Code Considerations.....	285
4.7.3 Considerations for the Backend Network.....	286
4.7.4 Behaviors in Presence of Failures.....	286
4.7.5 Limiting Interference to Other Systems.....	287
4.7.6 Plan for Talkaround Mode.....	287
4.7.7 Ways to Improve Battery Life.....	288
4.7.8 Considerations for Configuring Combined Firmware Versions.....	288
4.8 Multiple Digital Repeaters in Linked Capacity Plus.....	289
4.8.1 System Capacity.....	289
4.8.2 Considerations for Frequencies, Color Code, and Interference.....	289
4.8.3 Considerations for the Backend Network.....	291
4.8.3.1 Backend Network Characteristics.....	292
4.8.3.2 Backend Network Bandwidth Considerations.....	292
4.8.4 Behaviors in Presence of Failures.....	294
4.8.4.1 Failure of the Master.....	295
4.8.4.2 Failure of a Site.....	295
4.8.4.3 Failure of a Repeater.....	295
4.8.4.4 Failure of the LAN Switch.....	295
4.8.4.5 Failure of the Backend Network or Router.....	296
4.8.4.6 Failure of a Revert Repeater.....	296
4.8.5 Automatic Reconfiguration.....	296
4.8.6 Security Considerations.....	296
4.8.7 Migration.....	297
4.8.7.1 Migrating from IP Site Connect.....	298
4.8.7.2 Migration from Capacity Plus.....	298
4.9 Digital Telephone Patch (DTP).....	299
4.9.1 Enable/Disable Phone Gateway Repeater for Phone Calls.....	299
4.9.2 Enable/Disable a Radio from Initiating/Receiving Phone Calls.....	300
4.9.3 Phone Channel Configuration.....	300

4.9.3.1 One APP Box per Repeater via 4-wire Interface	300
4.9.3.2 Single Site.....	300
4.9.3.3 IP Site Connect.....	302
4.9.3.4 Capacity Plus.....	302
4.9.3.5 Linked Capacity Plus	302
4.9.4 APP Box Configuration	302
4.9.5 Phone System Configuration	303
4.9.5.1 Configuring a Radio in a Phone System.....	304
4.9.5.2 Configuring a Repeater in a Phone System	304
4.9.6 Access/De-access Code Configuration.....	304
4.9.6.1 Repeater Configuration.....	305
4.9.6.2 Radio Configuration	305
4.9.7 Dual Tone Multi Frequency (DTMF) Configuration	306
4.9.8 Ringing Modes	306
4.9.9 Enable/Disable Manual Dial.....	307
4.9.10 Connecting APP Boxes to the Repeater in Capacity Plus and Linked Capacity Plus	307
4.9.11 PBX Routing Configuration in Capacity Plus	308
4.10 Transmit Interrupt System Design Considerations.....	309
4.10.1 Interruptible Radios	309
4.10.2 Voice Interrupt.....	309
4.10.3 Emergency Voice Interrupt.....	310
4.10.4 Data Over Voice Interrupt	311
4.10.5 Remote Voice Dekey	312
4.11 Restricted Access to System (RAS) Design Considerations.....	313
4.11.1 RAS Key Authentication.....	313
4.11.2 Radio ID Range Check	315
4.12 Data Sub-System Design Considerations	316
4.12.1 Computer and IP Network Configurations.....	316
4.12.1.1 Radio to Mobile Client Network Connectivity.....	316
4.12.1.2 Radio to Air Interface Network Connectivity	317
4.12.1.3 Application Server Control Station Network Connectivity	320
4.12.1.4 Control Station Considerations	321
4.12.1.5 Multi-Channel Device Driver (MCDD) and Required Static Routes.....	323
4.12.1.6 Application Server and Dispatcher Network Connectivity.....	323
4.12.1.7 MOTOTRBO Subject Line Usage.....	324
4.12.1.8 MOTOTRBO Example System IP Plan	324
4.12.1.9 Application Server Network Connection Considerations	326
4.12.1.10 Reduction in Data Messages (When Radios Power On).....	326
4.12.1.11 Optimizing for Data Reliability.....	327

4.12.1.12 Optimizing for Data Throughput.....	329
4.12.1.13 Data Revert Channels for Capacity Plus and Linked Capacity Plus.....	331
4.12.2 Mobile Terminal and Application Server Power Management Considerations.....	334
4.13 Customer Fleetmap Development.....	335
4.13.1 Identifying a Functional Fleetmap Design Team.....	335
4.13.2 Identifying Radio Users.....	336
4.13.3 Organizing Radio Users into Groups	337
4.13.3.1 Configuration of Groups.....	338
4.13.4 Assigning IDs and Aliases.....	338
4.13.4.1 Identifying Radio IDs.....	339
4.13.4.2 Assigning Radio Aliases	339
4.13.4.3 Identifying Group IDs	340
4.13.4.4 Assigning Group Aliases.....	340
4.13.5 Determining Which Channel Operates in Repeater Mode or Direct Mode/Dual Capacity Direct Mode.....	341
4.13.6 Determining Feature Assignments.....	341
4.13.6.1 Determining Supervisor Radios	341
4.13.6.2 Private Calls.....	341
4.13.6.3 All Call.....	342
4.13.6.4 Radio Disable	342
4.13.6.5 Remote Monitor	343
4.13.6.6 Radio Check	343
4.13.6.7 Call Alert	343
4.13.6.8 RX Only	343
4.13.6.9 Remote Voice Dekey	343
4.13.7 Emergency Handling Configuration	344
4.13.7.1 Emergency Handling User Roles.....	344
4.13.7.2 Emergency Handling Strategies	345
4.13.7.3 Acknowledging Supervisors in Emergency.....	347
4.13.7.4 Extended Emergency Call Hang Time.....	347
4.13.7.5 Emergency Revert and GPS/Data Revert Considerations	347
4.13.8 Channel Access Configuration.....	352
4.13.9 Zones and Channel Knob Programming.....	353
4.14 Base Station Identifications (BSI) Setting Considerations	354
4.15 GPS Revert Considerations (For Single Repeater and IP Site Connect only).....	356
4.16 Enhanced GPS Revert Considerations	357
4.16.1 Single Site Mode	358

4.16.2 Capacity Plus and Linked Capacity Plus Modes.....	358
4.16.3 IP Site Connect Mode	358
4.16.3.1 Other Considerations.....	359
4.17 Enhanced Channel Access Consideration	360
4.17.1 Enhanced Channel Access Advantages	360
4.17.2 Enhanced Channel Access Limitations.....	361
4.18 Failure Preparedness	362
4.18.1 Direct Mode Fallback (Talkaround).....	362
4.18.2 Uninterrupted Power Supplies (Battery Backup).....	362
4.19 Dynamic Mixed Mode System Design Considerations.....	363
4.19.1 Dynamic Mixed Mode System Configuration Considerations	363
4.19.2 Loading Considerations in a Dynamic Mixed Mode System.....	365
4.20 Over-the-Air Radio Programming Design Considerations.....	366
4.20.1 Advanced Over-the-Air Radio Programming Configurations	366
4.20.1.1 Control Station Configuration.....	366
4.20.1.2 Conventional Configurations.....	367
4.20.1.3 Trunking Configurations.....	371
4.20.1.4 Coexistence with Third Party Data Applications	378
4.20.2 Over-the-Air Authentication Key Management.....	380
4.20.3 Over-the-Air Privacy Key Management.....	381
4.20.3.1 Updating the Privacy Keys in the System.....	381
4.20.4 Performance of Over-the-Air Programming	382
4.20.4.1 Time to Complete Over-the-Air Operations	382
4.20.4.2 Performance Impact on Other Services.....	386
4.20.5 CPS Computer Specifications.....	389
4.21 Configurable Timers	390

Section 5 *Sales and Service Support Tools*

5.1 Purpose	395
5.2 Applications Overview	395
5.3 Service Equipment	396
5.3.1 Recommended Test Equipment.....	396
5.4 Documentation and Trainings	397
5.4.1 MOTOTRBO Documentation	397

Section A *Control Station Installation*

A.1 Data Bearer Service.....	1
A.2 Interference.....	2
A.3 Control Station Installation Considerations	3

Notes

SECTION 1 INTRODUCTION

1.1 Welcome to MOTOTRBO™!

Improving workforce productivity and operational effectiveness requires superior communications quality, reliability, and functionality. MOTOTRBO is the first digital two-way radio system from Motorola specifically designed to meet the requirements of professional organizations that need a customizable, business critical, private communication solution using licensed spectrum. MOTOTRBO combines the best in two-way radio functionality with digital technology to deliver increased capacity and spectral efficiency, integrated data applications and enhanced voice communications.

MOTOTRBO is an integrated voice and data system solution comprising of mobile and portable radios, audio and energy accessories, repeaters, and a third-party application partner program.



Figure 1-1 MOTOTRBO System

This system planner will enable the reader to understand the features and capabilities of the MOTOTRBO system, and will provide guidance on how to deploy and configure the system and its components to take advantage of its advanced capabilities.

This system planner is divided into 5 sections, with the first being this introduction. Section 2 provides an overview of system level features. Section 3 describes the system components in more detail. Section 4 provides guidance on system design considerations including configuration of components. Section 5 provides product sales and support information.

This system planner is complementary to additional training and documentation including:

- Radio Customer Programming Software (CPS) and related training
- System workshop/system service training
- Product specification sheets

1.2 Software Version

All the features described in the System Planner are supported by the following software versions:

- **Radios** - R02.06.00 and above
- **Repeaters** - R02.20.00 and above

SECTION 2 SYSTEM FEATURE OVERVIEW

2.1 MOTOTRBO Digital Radio Technology

This section provides a brief overview of MOTOTRBO digital radio technology. It addresses two of the primary benefits delivered by this technology: spectral efficiency and improved audio performance.

2.1.1 Digital Radio Technology Overview

The digital radio technologies employed by MOTOTRBO can be summarized as follows:

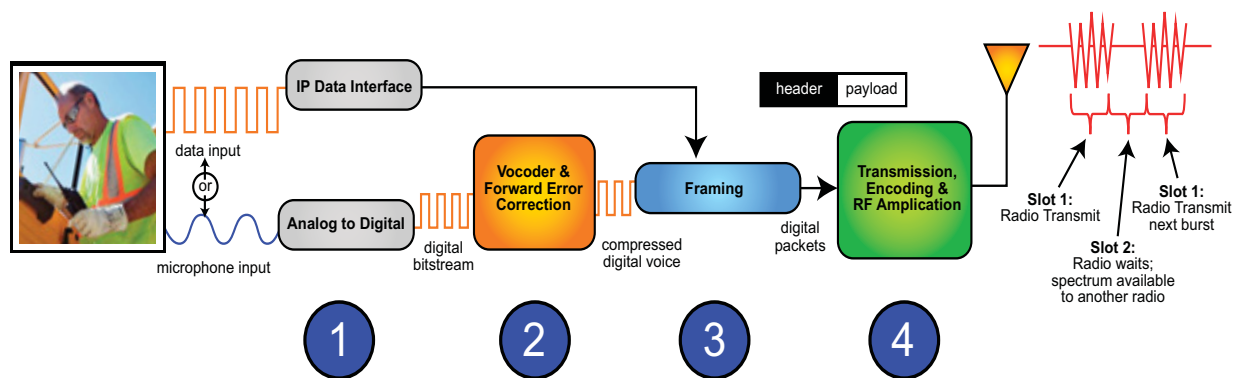


Figure 2-1 MOTOTRBO Digital Radio Technology

Figure 2-1 “MOTOTRBO Digital Radio Technology” is broken down into four parts which are described in the following subsections.

2.1.1.1 Part One: The Analog to Digital Conversion

When a radio user presses the Push-To-Talk (PTT) button and begins speaking, his voice is received by the radio microphone and converted from an acoustic waveform to an analog electrical waveform. This voice waveform is then sampled by an analog to digital converter. In typical radio applications, a 16-bit sample is taken every 8 kHz, this produces a 128,000bps (bits per second) digital bitstream, which contains far too much information to send over a 12.5 kHz or 25 kHz radio channel. Therefore some form of compression is required.

2.1.1.2 Part Two: The Vocoder and Forward Error Correction (FEC)

Vocoding (Voice encoding) compresses speech by breaking it into its most important parts and encoding them with a small number of bits, while greatly reducing background noise. Vocoding compresses the voice bitstream to fit the narrow (for MOTOTRBO) 6.25 kHz equivalent radio channel. The MOTOTRBO vocoder is AMBE+2™ which was developed by Digital Voice System, Inc. (DVS), a leader in the vocoding industry. This particular vocoder works by dividing speech into short segments, typically 20 to 30 milliseconds in length. Each segment of speech is analyzed, and the important parameters such as pitch, level, and frequency response are extracted. These parameters are then encoded using a small number of digital bits. The AMBE+2™ vocoder is the

first to demonstrate very low bit rates while producing toll-quality speech such as traditionally associated with wireline telephone systems.

Together with the vocoding process, Forward Error Correction (FEC) is also applied. FEC is a mathematical checksum technique that enables the receiver to both validate the integrity of a received message and determine which, if any, bits have been corrupted. FEC enables the receiver to correct bit errors that may have occurred due to radio frequency (RF) channel impairment. This effectively rejects noise that can distort an analog signal and by comparison enables more consistent audio performance throughout the coverage area. At this stage, the vocoder has already compressed the 128,000bps input signal to 3,600bps.

2.1.1.3 Part Three: Framing

In framing, the vocoded speech is formatted for transmission. This includes organizing the voice and any embedded signaling information (such as color code, group ID, PTT ID, call type, etc.) into packets. These packets form a header and payload type of structure – the header contains the call control and ID information, and the payload contains the vocoded speech. This same structure can also relay Internet Protocol (IP) data packets – the IP packets are simply an alternative form of payload to the MOTOTRBO radio. The header information is repeated periodically throughout the transmission, thereby improving the reliability of the signaling information as well as enabling a receiving radio to join a call that may already be in progress – we refer to this condition as “late entry”.

2.1.1.4 Part Four: TDMA Transmission

Finally, the signal is encoded for a Frequency Modulation (FM) transmission. The bits contained in the digital packets are encoded as symbols representing the amplitude and phase of the modulated carrier frequency, amplified, and then transmitted.

TDMA (Time Division Multiple Access) organizes a channel into 2 time slots: a given radio's transmitter is active only for short bursts, which provides longer battery life. By transmitting only on their alternating time slots, two calls can share the same channel at the same time without interfering with one another, thereby doubling spectrum efficiency. Using TDMA, a radio transmits only during its time slot (i.e. it transmits a burst of information, then waits, then transmits the next burst of information).

2.1.1.5 Standards Compliance

The digital protocols employed in MOTOTRBO (from vocoding and forward error correction to framing, transmission encoding, and transmission via two-slot TDMA) are fully specified by the ETSI¹ DMR² Tier 2³ Standard, which is an internationally recognized standard with agreements among its supporting members. Although formal interoperability testing and verification processes for this standard have yet to fully mature, Motorola anticipates that MOTOTRBO radio systems will be interoperable with other solutions that comply to the ETSI DMR Tier 2 standard.

-
1. European Telecommunications Standards Institute
 2. Digital Mobile Radio
 3. Tier 2 indicates full power conventional operation in licensed channels for professional and commercial users.

2.1.2 Spectrum Efficiency via Two-Slot TDMA

2.1.2.1 Frequencies, Channels, and Requirements for Spectrum Efficiency

A radio communications channel is defined by its carrier frequency, and its bandwidth. The spectrum of available carrier frequencies is divided into major bands (such as 800/900 MHz, VHF, and UHF), and the majority of licensed channels in use today have widths of either 25 kHz or 12.5 kHz. As the airwaves have become increasingly crowded, new standards and technologies that allow more radio users to share the available spectrum in any given area are needed. The demand for greater spectral efficiency is being driven, in part, by regulatory agencies. In the U.S., for example, the Federal Communications Commission (FCC) requires manufacturers to offer only devices that operate within 12.5 kHz VHF and UHF channels by 2011. By the year 2013, all VHF and UHF users are required to operate in 12.5 kHz channels.

The next logical step is to further improve the effective capacity of 12.5 kHz channels. While there is no current mandate requiring a move to 6.25 kHz, such discussions are on-going at the FCC and other agencies. It's only a matter of time before the ability to carry two voice paths in a single 12.5 kHz channel, also known as 6.25 kHz equivalent efficiency, becomes a requirement in 800/900 MHz, VHF, and UHF bands. Presently, FCC rules are in place to mandate manufacturers to build radios capable of the 6.25 kHz efficiency for 800/900 MHz, VHF, and UHF bands, but the enforcement of these rules are put on hold. In the meantime, MOTOTRBO offers a way to divide a 12.5 kHz channel into two independent time slots, thus achieving 6.25 kHz-equivalent efficiency today.

2.1.2.2 Delivering Increased Capacity in Existing 12.5 kHz Channels

MOTOTRBO uses a two-slot TDMA architecture. This architecture divides the channel into two alternating time slots, thereby creating two logical channels on one physical 12.5 kHz channel. Each voice call utilizes only one of these logical channels, and each user accesses a time slot as if it is an independent channel. A transmitting radio transmits information only during its selected slot, and will be idle during the alternate slot. The receiving radio observes the transmissions in either time slot, and relies on the signaling information included in each time slot to determine which call it was meant to receive.

By comparison, analog radios operate on the concept of Frequency Division Multiple Access (FDMA). In FDMA, each transmitting radio transmits continuously on a designated channel, and the receiving radio receives the relevant transmission by tuning to the desired carrier frequency.

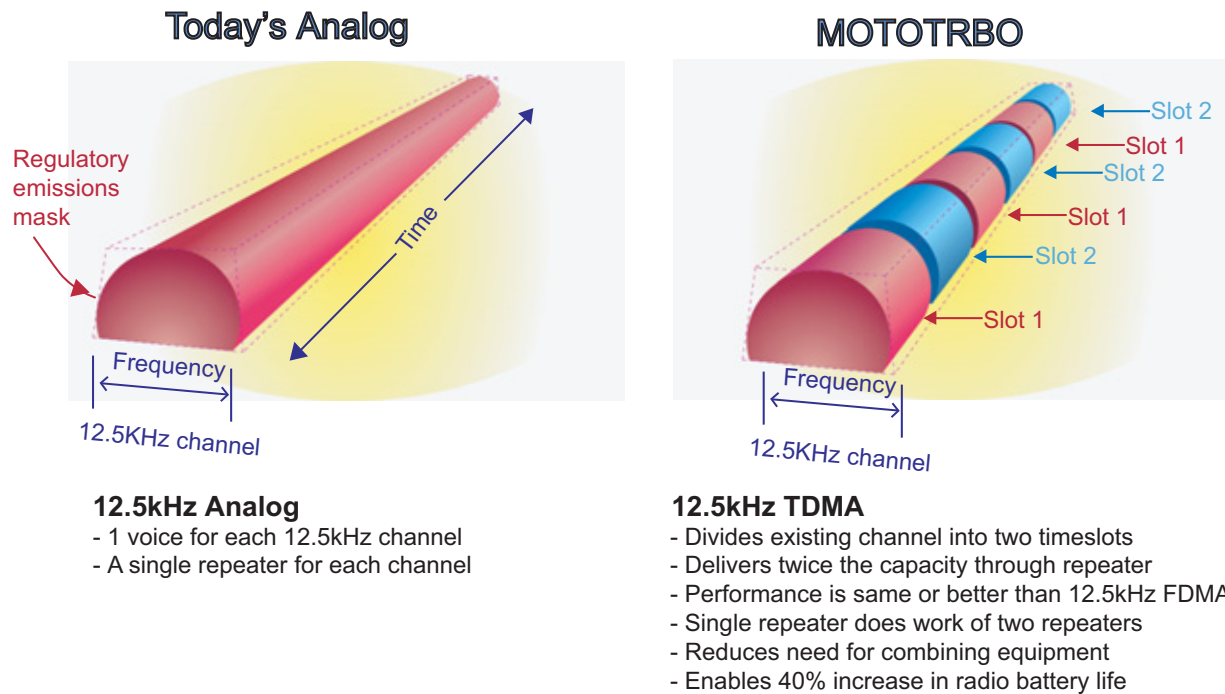


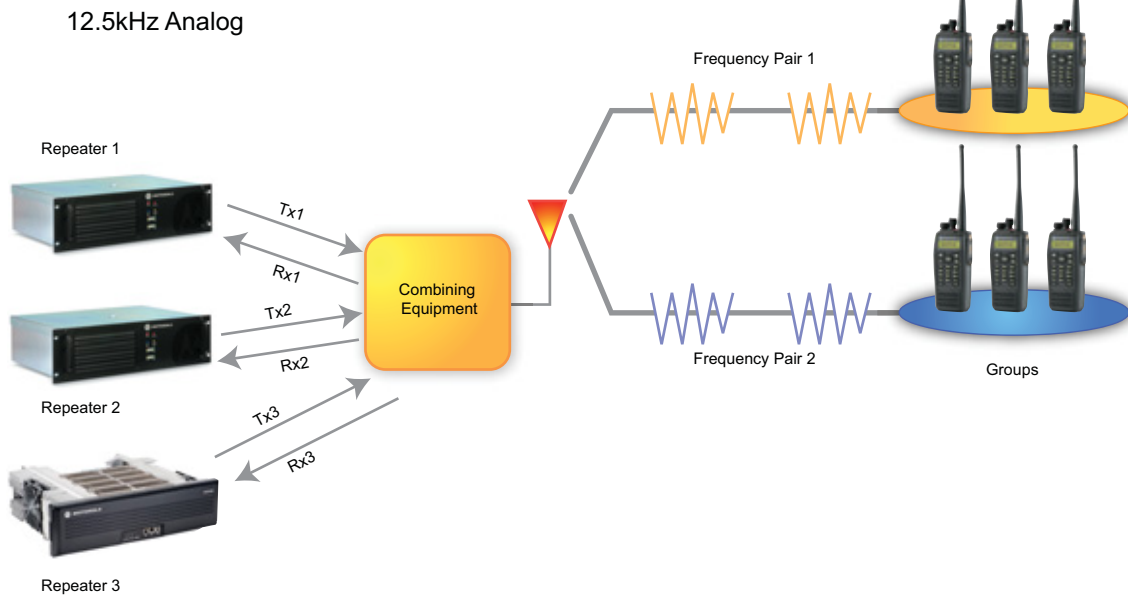
Figure 2-2 Comparison between Today's Analog and MOTOTRBO

TDMA thereby offers a straightforward method for achieving 6.25 kHz equivalency in 12.5 kHz repeater channels – a major benefit for users of increasingly crowded licensed bands. Instead of dividing channels into smaller slices of decreased bandwidth – which is what would be required to increase spectrum efficiency with FDMA methods, TDMA uses the full 12.5 kHz channel bandwidth, but increases efficiency by dividing it into two alternating time slots. Additionally, this method preserves the well-known radio frequency (RF) performance characteristics of the 12.5 kHz signal. From the perspective of RF physics – that is, actual transmitted power and radiated emissions – the 12.5 kHz signal of two-slot TDMA occupies the channel, propagates, and performs essentially in the same way as today's 12.5 kHz analog signals. With the added advantages of digital technology, TDMA-based radios can work within a single repeater channel to provide roughly twice the traffic capacity, while offering RF coverage performance equivalent to, or better than, today's analog radio.

2.1.2.3 Two-Slot TDMA Reduces Infrastructure Equipment

As we have seen, two-slot TDMA essentially doubles repeater capacity. This means that one MOTOTRBO repeater does the work of two analog repeaters (a MOTOTRBO repeater supports two calls simultaneously). This saves costs of repeater hardware and maintenance, and also saves on the cost and complexity of RF combining equipment necessary in multi-channel configurations. Just as importantly, the two-slot TDMA signal fits cleanly into a customer's existing, licensed channels; there is no need to obtain new licenses for the increase in repeater capacity, and compared to alternative technologies that may operate on different bandwidths, there is no comparative increase in the risk of interference with or from adjacent channels.

Analog 2-Channel System



MOTOTRBO 2-Channel System

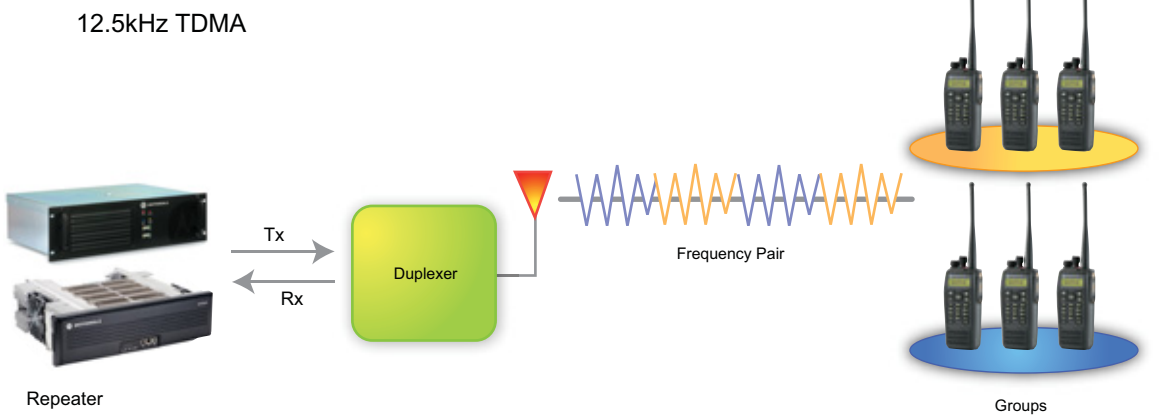


Figure 2-3 MOTOTRBO Requires Less Combining Equipment

2.1.2.4 Two-Slot TDMA Enables System Flexibility

The two time slots or logical channels enabled by two-slot TDMA can potentially be used for a variety of purposes. Many organizations deploying MOTOTRBO systems can use these slots in the following manner:

- Use both the slots as voice channels. This doubles the voice capacity per licensed repeater channel, thereby
 - increasing the number of users the system can accommodate, and
 - increasing the amount of air time the users can consume.
- Use both slots as data channels. This allows the organizations to fully deploy data transactions
- Use one slot as a voice channel, and the other as a data channel. This is a flexible solution, that allows customers to equip their voice users with mobile data, messaging, or location tracking capabilities.

In any of these scenarios, additional benefits are realized within the existing licensed repeater channel(s).

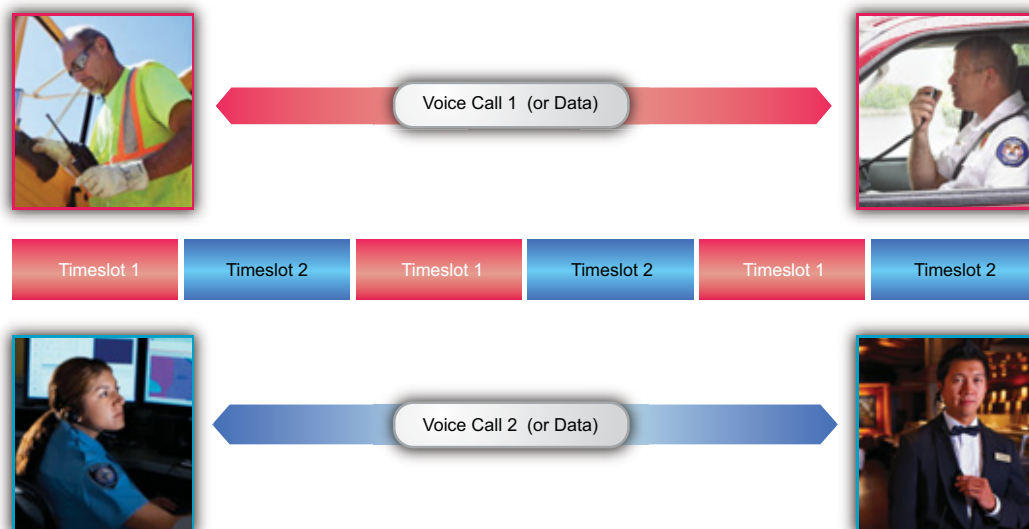


Figure 2-4 Example of Two-Slot TDMA

NOTE: When used in direct mode without a repeater, two-slot TDMA systems on a 12.5 kHz channel do not deliver 6.25 kHz equivalent efficiency. This is because the repeater is necessary to synchronize the time slots to enable independent parties to share them. Thus, on a direct or talkaround channel, when one radio begins transmitting, the whole 12.5 kHz channel is effectively busy, even though the transmitting radio is using only one time slot. The alternate time slot is unavailable for another, independent voice call. However, the alternate time slot can potentially be utilized as a signaling path. The ETSI DMR Tier 2 standard refers to this capability as Reverse Channel signaling, and it is envisioned to be used to deliver important future benefits to professional users, such as priority call control, remote-control of the transmitting radio, and Emergency Call pre-emption. This future capacity for reverse channel signaling is a unique capability of TDMA technology and, if supported by your system, may be deployed in both repeater and direct/talkaround configurations. At this time, the MOTOTRBO system does NOT support Reverse Channel signaling.

2.1.2.5 Two-Slot TDMA System Planning Considerations

System Planning considerations associated with the increased capacity and the flexibility of the MOTOTRBO two-slot TDMA architecture include:

- Capacity planning:
 - How many voice and data users do you have?
 - What usage profiles are anticipated?
 - How many channels and repeaters are needed?

These questions are addressed in more detail in “System Design Considerations” on page 241.

- Fleetmapping:
 - How to map users, voice services and data services such as messaging or location tracking to channels.

Voice and data service capabilities are described in more detail in this module and in “System Components and Topologies” on page 165. Fleetmapping considerations are addressed in more detail in “System Design Considerations” on page 241, in the MOTOTRBO Systems Training, and within the MOTOTRBO radio CPS.

- Migration Planning:
 - How to migrate existing channels to digital channels?
 - What updates to licensing requirements may be needed?

These questions are addressed in more detail in Section 4 “System Design Considerations” on page 241.

2.1.3 Digital Audio Quality and Coverage Performance

This section describes how digital audio drives coverage performance. It also sets expectations for how digital audio behaves and sounds from the end-user’s perspective.

2.1.3.1 Digital Audio Coverage

The main difference between analog and digital coverage is how the audio quality degrades throughout the coverage region. Analog audio degrades linearly throughout the region of coverage, while digital audio quality performs more consistently in the same region of coverage. A primary reason for the different degradation characteristics is the use of forward error correction coding used in digital transmissions, which can accurately deliver both audio and data content with virtually no loss over a far greater area.

It is this error protection that allows a MOTOTRBO system to provide consistent audio quality throughout its coverage area. A comparable analog system can never offer such consistency. In the MOTOTRBO system, the audio quality remains at a high level, because the error protection minimizes the noise effect.

The figure below graphically illustrates the relationship of delivered system audio quality, while comparing good to poor audio quality with strong to weak signal strength. Do note that

- In very strong signal areas the analog signal, because there is no processing, may sound slightly better than the digital audio signal.
- Digital signals increase the effective coverage area above the minimally acceptable audio quality level.
- Digital signals improve the quality and consistency of the audio throughout the effective coverage area.
- Digital signals do not necessarily increase the total distance that an RF signal propagates.

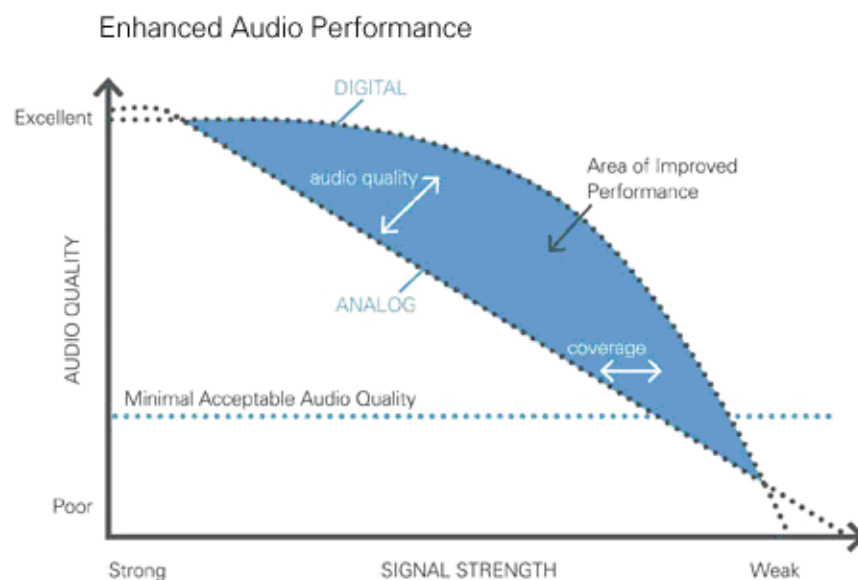


Figure 2-5 Comparison of Audio Quality versus Signal Strength for Analog and Digital

2.1.3.2 Predicting Digital Audio Coverage

Predicting coverage for a radio site can be complicated. There are many factors that affect RF performance prediction, and generally, the more factors that can be considered, the more accurate the prediction of coverage. Perhaps the most influential factor is the selection of the RF propagation model and/or RF prediction software tools.

Coverage prediction techniques for analog and digital systems generally follow the same basic procedures, and require similar sets of input factors. Therefore, if the site's analog coverage footprint is already known, it is easier to plan the site's digital coverage footprint. This approach allows the system designer to use their existing analog site coverage prediction techniques, whether simple or complex, and then translate the results of the analog coverage prediction to predict digital coverage.

Delivered Audio Quality (DAQ) is a method to quantify audio quality. It is a measure of the intelligibility and quality of voice transported through a communications system, as defined in TIA TSB-88. DAQ reports audio quality on a 5 point scale, with a DAQ rating of 3 considered as the minimal acceptable level of audio quality for public safety applications. The definition of DAQ 3 is "Speech understandable with slight effort and occasional repetition required due to Noise/Distortion."

When comparing an analog site and a MOTOTRBO site, the relative regions of coverage offering comparable audio quality are illustrated in the figure below.

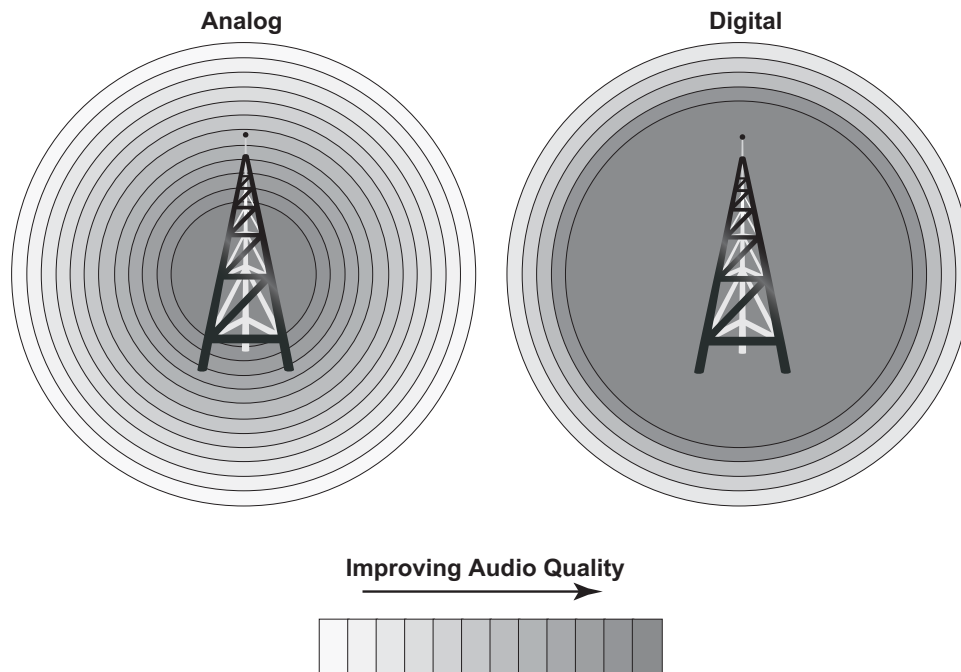


Figure 2-6 Differences in Analog Coverage

For a DAQ 3 audio quality, MOTOTRBO provides a greater usable range than analog, when all other factors are considered equal (e.g. transmit power level, antenna height, receiver noise level, IF filter bandwidths, no audio processing – such as Hear Clear – on the analog radios, terrain, antenna combining equipment, etc.).

For an advanced, more comprehensive understanding of RF coverage prediction for the MOTOTRBO site, the reader is encouraged to obtain the TIA Telecommunications Service Bulletin TSB-88 – “Wireless Communications Systems-Performance in Noise and Interference-Limited Situations, Recommended Methods for Technology-Independent Modeling, Simulation, and Verification.”

A copy of TSB-88 can be obtained from <http://www.tiaonline.org>.

2.1.3.3 User Expectations for Digital Audio Performance

There are a number of differences between how digital audio behaves compared to analog audio from the end user (listener’s) perspective. Motorola has found that setting proper end user expectations in this regard is an important aspect of system planning.

What End-Users will Experience with Digital Audio

- **Consistent performance throughout coverage area with no gradual fade at the fringes:** While analog signals slowly degrade as the receiver moves away from the transmitter, digital signals perform more consistently throughout the coverage area. However, digital signals, more abruptly, shift from “good” to “no signal”, when crossing the fringe of the coverage area. This means, users cannot rely on degrading audio quality to warn them that they are approaching the fringe of coverage. On the other hand, just prior to the fringe of the coverage area, digital audio is still crisp and clean, whereas analog audio has excessive noise and static.
- **Digital Sounds Different:** The vocoding process is designed to deliver optimum audio quality with a very small number of bits. Some listeners find the resulting tonal qualities of digital speech somewhat different from what they have experienced with analog speech. Because the vocoding process is highly specialized for reproducing human speech, other sounds like music and tones are not reproduced accurately. Additionally, digital audio can introduce end-to-end audio delays. When overwhelming errors or dropouts are encountered, digital radios can generate some unique-sounding audio “artifacts”.
- **Background Noise Reduction:** The advanced vocoding capabilities in MOTOTRBO also include background noise reduction. Regardless of what is happening in the environment of the transmitting radio, only voice is reconstructed at the receiving radio – background noise, like machine noise, wind noise, and traffic noise, is not reconstructed, and thus, not heard. This is a key advantage of the MOTOTRBO digital voice solution over typical analog solutions, because noisy environments like factories, stores, work sites, and windy locations do NOT significantly degrade communication intelligibility.

What End-Users will NOT Experience with Digital Audio:

- **Digital radio is not “CD Quality.”** MOTOTRBO is the first radio in the industry to use the AMBE+2™ low bit rate vocoder to deliver communications grade voice quality. End users should not be misled into thinking that “communications grade” digital audio quality in radio systems is analogous to the high fidelity audio quality of CD’s and DVD’s.
- **Digital cannot solve historic problems.** System issues with coverage and interference are not necessarily eliminated by switching to digital. Adjacent or co-channel interference may sound different to a digital user, but digital technology does not solve interference issues. For example, analog interference will not be heard as voice to a digital radio and vice versa, but disruption of system performance can still occur.

2.1.3.4 Audio Balancing

Transmitting voice over a digital air interface requires a voice coder, or vocoder for short. The vocoder used by MOTOTRBO is the Digital Voice Systems Inc. (DVS) AMBE+2™. This vocoder delivers excellent voice quality with robustness to both background noise and RF channel bit errors in a 6.25 kHz equivalent channel bandwidth. In order to produce optimal voice quality, the input level into the vocoder must fall within a specific amplitude range.

The diverse nature of users with respect to mouth-to-microphone distance as well as voice level and directivity can make this a bit problematic. In an effort to produce optimal voice quality over these diverse input conditions, MOTOTRBO digital always employs Automatic Gain Control (AGC) in the audio transmit path. The primary function of the transmit AGC is to produce the best voice quality possible under real life conditions. Since voice is still the main application of a two-way radio, this is a primary goal.

A secondary result of the AGC is to produce flat received speech loudness level over a range of input levels at the microphone. The usage of IMPRES Accessories extends this input range so optimal voice quality occurs over an even greater input range. Figure 2-7 “Transmit Audio Sensitivity” illustrates this extended range flat response in the curve titled MOTOTRBO with IMPRES RSM (Digital). This same response curve can also be produced in analog mode by using an IMPRES Accessory and enabling Analog Mic AGC in the CPS General Settings. Figure 2-7 illustrates this type of response in the curve titled MOTOTRBO with IMPRES RSM (AGC on, Analog). An advantage of this type of response is that soft talkers and users that turn away from the microphone while speaking will still come through loud and clear.

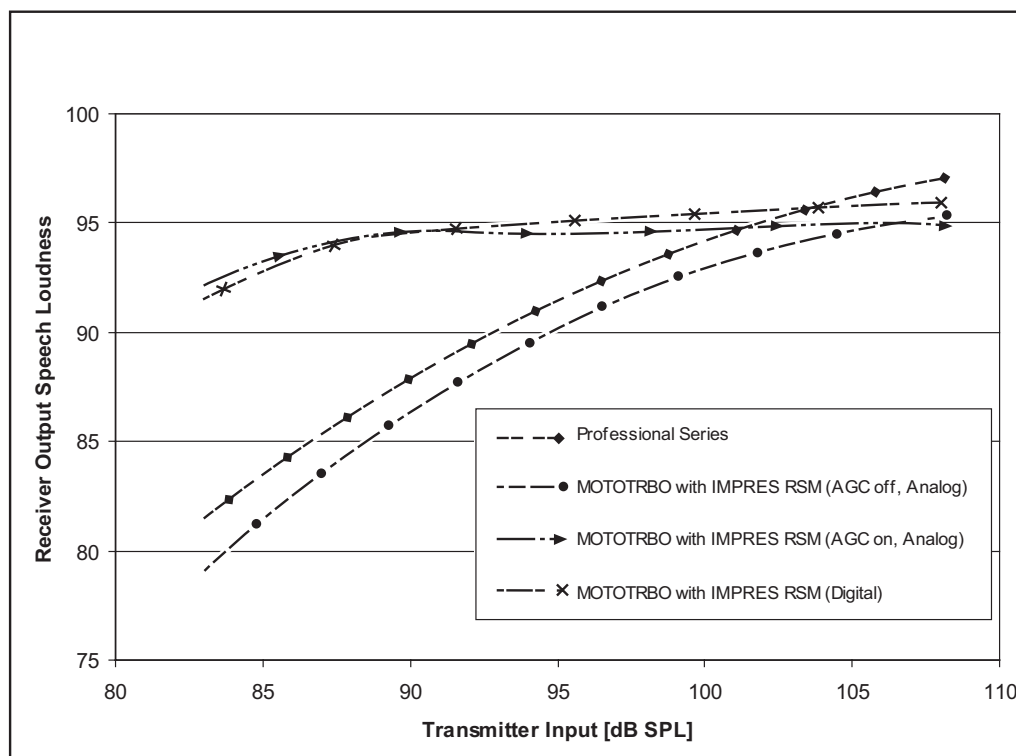


Figure 2-7 Transmit Audio Sensitivity

The flat audio response of digital is different from the traditional analog audio response. The traditional response is a linear response and the louder one speaks, then the louder the received volume. Figure 2-7 illustrates a traditional analog response in the curves titled Professional Series and MOTOTRBO with IMPRES RSM (AGC off, Analog). When Analog Mic AGC is disabled, then the Analog Mic Gain (dB) is adjustable in the CPS General Settings. Therefore, MOTOTRBO in analog mode is able to deliver the traditional analog response and is adjustable to fit into existing systems.

Examination of Figure 2-7 indicates that digital and traditional analog responses are similar at an input Sound Pressure Level (SPL) of 98 dB. Below this level, analog is quieter than digital. This is important to note as a system requiring MOTOTRBO to function as a digital radio and also as an analog radio during migration, may experience received audio level differences that are mode dependant. This could occur when scanning both digital and analog channels and the analog talker is located in a quiet environment such as an office. In quiet environments many users tend to speak softly and therefore the input will fall below the equivalent response level of 98 dB SPL. Therefore, during the migration period, the analog response may be quieter than the digital response.

2.2 Basic System Topologies for Digital and Analog Operations

MOTOTRBO is a two-way radio system – conventional and trunked. In its most basic form, a MOTOTRBO system is comprised of radios that communicate with each other in the following available modes:

- Direct mode
- Repeater mode
- Through a repeater in conventional single site mode
- Through a set of repeaters in IP Site Connect mode
- By trunking a set of repeaters in Capacity Plus mode
- By trunking a set of repeaters connected across multiple sites in Linked Capacity Plus mode

The MOTOTRBO system can be configured to operate in analog mode, digital mode, or in both modes.

2.2.1 Repeater and Direct Mode Configurations

In direct mode, receive and transmit functions are both carried out on the same physical channel (i.e. transmit and receive frequencies are the same).

1. When operating in **Analog Direct Mode**, MOTOTRBO supports one voice path (transmit and receive) on one physical channel, and can be configured to operate in 12.5/20/25 kHz channel bandwidth systems.

The option board interface meets the timing constraint of the MPT1327 standard, which is a signaling standard for trunked private land mobile radio system. The following features do **not** work with MPT1327:

- VOX

- Scan (normal and priority)
- Battery saver

2. When operating in **Digital Direct Mode**, MOTOTRBO uses one physical channel configured for a 12.5 kHz channel bandwidth. On that one direct 12.5 kHz physical channel bandwidth, a MOTOTRBO digital system can support only one voice (or data) path at a time. Without a repeater in place to coordinate the time slot sequence among radios, only one radio can transmit at a time in order to guarantee transmissions do not overlap.

In repeater-based radio communications systems, a voice path requires a pair of channels: one for transmission, the other for reception.

2.2.1.1 Analog Repeater Mode

When operating in **Analog Repeater Mode**, MOTOTRBO operates similar to existing analog repeaters by supporting one voice path (transmit and receive) on one pair of physical channels, and can be configured to operate in 12.5/25 kHz channel bandwidth systems.

2.2.1.2 Digital Repeater Mode

When operating in **Digital Repeater Mode**, MOTOTRBO uses a pair of physical channels configured for 12.5 kHz channel bandwidth. Through the use of Time Division Multiple Access (TDMA) technology and the synchronization provided by the repeater, MOTOTRBO splits each 12.5 kHz channel (one transmit and one receive) into two independent time slots or logical channels within the 12.5 kHz physical channel bandwidth. This allows the user to assign voice or data traffic to either of the time slots independently. To the end user, this means they now have two voice or data channels that can be managed independently, instead of one. These two logical channels (two time slots) can transmit and receive independently of each other. The two logical channels in a 12.5 kHz channel makes the channel equivalent to a 6.25 kHz wide channel.

2.2.1.3 Dynamic Mixed Mode

When operating in **Dynamic Mixed Mode (DMM)**, MOTOTRBO uses a pair of physical channels configured for 12.5 kHz channel bandwidth for digital operation and 25 kHz and/or 12.5 kHz channel bandwidth for analog operation. The repeater dynamically switches between analog and digital modes based on the call it receives from radios. If an analog radio transmits, the repeater switches to analog mode to repeat the analog call. However, the repeater only repeats analog calls that are qualified by PL (DPL/TPL). If a digital radio transmits, then the repeater switches to digital mode to repeat the digital call if the call uses the right color code. While the repeater repeats one analog call at a time, it can repeat 2 digital calls at a time, one on each logical channel.

When a repeater repeats a new digital call that starts on one of the logical channels, the repeater does not qualify any analog call including an Emergency Call until the digital call (both the transmission and call hang time) is over and the corresponding channel hang time has expired. Upon the expiry of channel hang time, only then does the repeater start qualifying both analog and digital calls simultaneously. Similarly, if an analog call is being repeated, the repeater does not qualify any digital call including digital data and Emergency Calls on any of the two logical channels until the analog call is over and the corresponding hang time has expired.

Analog console device(s) are supported only when the repeater has not qualified an OTA digital call. If an analog console device tries to key up the repeater when a digital call has been received

over-the-air, the analog call will be denied access. The repeater notifies the console via a channel busy tone generated over the speaker and Rx audio pins on the 4-wire repeater interface. Analog consoles do not have priority over digital calls (voice or data) in DMM mode.

Dynamic Mixed Mode is a repeater only configuration and the main functions of this feature are:

- The system requires one pair of physical channels (one Tx frequency and one Rx frequency) for both analog and digital calls, one MOTOTRBO repeater, and one set of RF equipment (antenna, combiners, couplers, LNA, etc) to enable analog and digital radio users to communicate.
- This configuration allows the user to have a mix of legacy analog radios and the digital MOTOTRBO radios in a MOTOTRBO system.
- The repeater supports two independent time slots or logical channels within the 12.5 kHz physical channel bandwidth while repeating digital calls. However, the repeater supports one voice path (transmit and receive) on a 25 kHz or 12.5 kHz channel while repeating analog calls.

Dynamic Mixed Mode does **not** support the following configurations/features.

- **IP Site Connect configuration** - This means that in Dynamic Mixed Mode, the repeater can only repeat the digital calls over-the-air and cannot send the voice/data packets over the IP network. The status of the repeater and the control of the repeater cannot be performed from a remote PC application like RDAC-IP.
- **Capacity Plus configuration** - This means that in Dynamic Mixed Mode, trunking the logical channels of multiple MOTOTRBO repeaters as per Capacity Plus is not supported.
- **FCC Type-I and Type-II monitoring** - Since FCC Type-I and Type-II monitoring are not supported in single site analog operation in any of the earlier MOTOTRBO releases, it is also not supported in Dynamic Mixed Mode single site operation.
- **Transmit Interrupt feature** - The Voice Interrupt, Emergency Voice Interrupt, Remote Voice Dekey, and Data Over Voice Interrupt features are presently not supported in Dynamic Mixed Mode systems.
- **RDAC over IP feature** - RDAC over local USB and connections via GPIO are supported. RDAC over the network is **NOT** supported.
- **Repeater Knockdown** - In Dynamic Mixed Mode systems, this feature is not supported during an ongoing digital transmission.
- **PTT on a 4-wire interface** - In Dynamic Mixed Mode systems, this feature is not supported during a digital repeat operation.

2.2.1.4 IP Site Connect Mode

When operating in **IP Site Connect Mode**, MOTOTRBO combines the logical channels of multiple MOTOTRBO systems (operating in digital repeater mode at dispersed locations) into one logical channel covering all locations. In this mode, repeaters across dispersed locations exchange voice and data packets over an IPv4-based back-end network. There are three main functions of this mode.

- To increase the RF coverage area of a MOTOTRBO system.
- To provide voice and data communication between two or more MOTOTRBO single site systems located at geographically separate locations.
- To provide voice and data communication between two or more MOTOTRBO single site systems operating in different frequency bands (e.g. 800/900 MHz, VHF, and UHF).

The backend network of an IP Site Connect system is designed to work seamlessly with internet connectivity provided by an Internet Service Provider (ISP). The system only requires that one of the repeaters have a static IPv4 address, while the others may be dynamic. Also, the system avoids the need for reconfiguration of a customer's network such as reprogramming of firewalls.

When a new call starts at one of the logical channel of a repeater, the repeater sends the call to all the repeaters and all these repeaters repeat the call on their corresponding logical channel. This allows a radio in the coverage area of any repeater to participate in the call. Thus, the coverage area of an IP Site Connect system is the sum of the coverage areas of all the repeaters. However, note that an IP Site Connect configuration does not increase the capacity (i.e. number of calls per hour) of the system. The capacity of one Wide Area Channel of an IP Site Connect system is approximately the same as that of a single repeater working in digital repeater mode.

In an IP Site Connect configuration, MOTOTRBO radios support all the features that they already support in digital repeater mode. This also includes Transmit Interrupt features that are supported on logical channels configured over wide area networks. Additionally, the radios are capable of automatically roaming from one site to another.

The IP Site Connect configuration of MOTOTRBO does not require any new hardware besides backend network devices such as routers. If a customer has multiple MOTOTRBO systems working in digital repeater mode at dispersed sites and wants to convert them into an IP Site Connect system then the repeaters and the radios should be updated with new software and the repeaters need to be connected to an IPv4-based backend network. It is possible to configure a repeater such that

- Both logical channels work in IP Site Connect mode (i.e. over wide area).
- Both logical channels work in digital repeater mode (i.e. single site over local area).
- One of its logical channels works in IP Site Connect mode (i.e. over wide area) and the other logical channel works in digital repeater mode (i.e. single site over local area).

MOTOTRBO has three security features in the IP Site Connect configuration.

- Provides the confidentiality of voice and data payloads by extending the privacy feature, whether Basic or Enhanced, to cover the communication over the backend network.
- Ensures that all the messages between repeaters are authentic.
- Supports Secure VPN (Virtual Private Network) based communication between the repeaters for customers needing higher level of security (protection against replay attack).

The IP Site Connect configuration of MOTOTRBO provides a mechanism and a tool to remotely manage repeaters. The tool (called RDAC) receives alarms from all the repeaters, helps in diagnosis of repeaters, and provides some controls over the repeaters.

2.2.1.5 Capacity Plus Mode

When operating in **Capacity Plus Mode**, MOTOTRBO trunks the logical channels of multiple MOTOTRBO repeaters (operating in digital repeater mode) at the same location. This allows the radios to share the logical channels, resulting in less waiting time to access the system and increased channel capacity for a given quality of service. Another advantage is that the probability of all channels being busy at the same instant is low, therefore the probability of a call being blocked is lower than when only one channel can be accessed.

Capacity Plus is a single site trunking configuration of the MOTOTRBO system. In a Capacity Plus configuration, all the "idle" radios (i.e. radios neither receiving nor transmitting) are on an idle channel called the Rest Channel. Therefore, a new call always starts on the Rest Channel. At the start of a call, the Rest Channel repeater selects one of the idle channels as the new Rest Channel, informs the radios on the current Rest Channel about the new Rest Channel, converts the current Rest Channel to a traffic channel, and starts repeating the bursts sent by the radio. The radios that are not participating in the call (i.e. destination of the call is not of their interest) move to the new Rest Channel.

If the current Rest Channel is the last idle channel (i.e. all the other available channels are in use), the current Rest Channel remains as the Rest Channel. The call starts on the channel and non-participating radios stay on the channel. In this condition, non-participating radios indicate that the channel is busy via its yellow LED. If all channels are busy and a radio user initiates a call, then the radio generates a distinct tone to indicate that the system is busy. As soon as a channel becomes free in the Capacity Plus system, the non-participating radios are informed, and move to the free channel.

At the end of the call (i.e. after the call hang time), the repeater also broadcasts the status of all other available channels. This triggers any radio on the channel to move to the current Rest Channel or to a channel where a Group Call of interest is active.

The Capacity Plus system has no central controller to manage the Rest Channel. The Rest Channel is managed collectively by all the trunked repeaters. A trunked repeater periodically informs the status of its channels to other trunked repeaters whenever the status of its channels change. When a new Rest Channel is selected, the selecting repeater informs all the other repeaters. The new Rest Channel is selected based on the following conditions:

- At the start of a call, the repeater of the current Rest Channel selects the new Rest Channel.
- On detection of interference or before starting CWID (i.e. BSI) transmission, the repeater of the current Rest Channel selects the new Rest Channel.
- On detection of no Rest Channel (in the event of a failure of the current Rest Channel repeater or the backend network), the repeater with the lowest ID selects the new Rest Channel.
- When a call ends on a system, if a call is in progress on the current Rest Channel, then the repeater of the current Rest Channel selects the new Rest Channel.

The Capacity Plus system does not require an exclusive control channel. The Rest Channel changes on every call; in case of an interference or if the repeater becomes unavailable due to failure. This results in the following advantages:

- Non-exclusive channels make it easier to satisfy regulator frequency coordination (where exclusive use of channels is not possible).

- Capacity Plus does not use “request and grant” mechanism to allocate channels and does not require any central controller to trunk the channels.
- The dynamic Rest Channel mechanism makes Capacity Plus very suitable for an environment where channels are shared by multiple radio systems.
- The dynamic Rest Channel mechanism also improves the reliability of the Capacity Plus system. In the event of a repeater failure, the other available repeaters automatically reconfigure themselves and continue to work as the Capacity Plus system.

The Capacity Plus system configuration of MOTOTRBO does not require any new hardware apart from backend network devices such as routers. If a customer has multiple MOTOTRBO systems working in digital repeater mode at the same site and wants to convert to a Capacity Plus system, then the repeaters and radios should be updated with the new software, and the repeaters need to be connected to an IPv4-based backend network. If one logical channel of a repeater is configured to the Capacity Plus mode, then the other logical channel will also be in the same mode.

In a Capacity Plus configuration, MOTOTRBO systems support all previous digital repeater mode features, with the exception of the following:

- **Scan:** Capacity Plus supports Group Scan, so a properly programmed radio listens for multiple talkgroups within a single Capacity Plus system, but does not support scanning channels of another system. Adding multiple talkgroups to the Receive list of a radio allows the user to hear the conversations of those talkgroups, and reply within the call hang time, regardless of the physical channel on which that call takes place.
- **Emergency Revert Channel:** Capacity Plus does not support a revert channel for emergency because probability of all Trunked Channels becoming busy is low. However, reverting to an emergency group is supported. This promotes a centralized handling of an emergency situation.
- **IP Site Connect configuration:** Capacity Plus is a single site system and therefore does not support features related to IP Site Connect configuration such as wide-area coverage and automatic roaming. However, a radio can be programmed with multiple channels in multiple zones, one of which could be a Capacity Plus system, another an IP Site Connect System, and others could be MOTOTRBO conventional channels or Analog conventional channels.
- **Impolite calls:** Capacity Plus supports impolite Emergency Call and impolite transmissions (i.e. Group members can transmit over an ongoing call). A new call always starts on an idle channel and therefore, a radio does not start a non-Emergency Call impolitely.
- **Talkaround mode:** A radio can have a talkaround personality but in Capacity Plus mode, there is no talkaround option.
- **Monitoring of channels status:** Monitoring is important in a conventional system, where a radio stays on a channel. In Capacity Plus, a radio moves from one Rest Channel to another. Most of the Rest Channels are in an idle state and therefore, monitoring is not necessarily needed.
- **Fragmentation of a Data Packet:** Capacity Plus does not fragment a data packet before transmitting over-the-air. Thus, the size of an IP datagram (including IP and UDP headers) should be less than the maximum size of the Packet Data Unit. The value of the Packet Data Unit is a CPS programmable parameter with a maximum size of 1500 bytes.
- **Option Board:** If the Option Board feature is enabled for Capacity Plus, then the feature is automatically enabled for all trunked and revert channels of a Capacity Plus system.

On a Capacity Plus personality, the Option Board is not aware of the transmit or receive channel. Additionally, an Option Board does not use or create Virtual Personalities in a Capacity Plus system. Hence, an Option Board will not be able to customize the current working personality.

- **Transmit Interrupt:** The Voice Interrupt, Emergency Voice Interrupt, Remote Voice Dekey, and Data Over Voice Interrupt features are supported on Capacity Plus systems.

Capacity Plus does not provide the following features:

- Coverage of multiple sites,
- Call queuing, priority, and preemption,
- Priority Monitor: Capacity Plus provides higher priority only to an All Call,
- Radio access control.

Greater detail on system services available in direct-mode and repeater-based system topologies is described in “System Components and Topologies” on page 165.

2.2.1.6 Linked Capacity Plus Mode

When operating in **Linked Capacity Plus Mode**, MOTOTRBO trunks the logical channels (that is, the TDMA slots) of multiple MOTOTRBO repeaters (operating in digital repeater mode) at multiple locations and combines the logical channels into one logical channel. This allows radios to share the logical channels, as well as increase the RF coverage area of a MOTOTRBO system.

Linked Capacity Plus (LCP) is a trunked multisite multi-channel configuration of MOTOTRBO, which combines both the Capacity Plus and IP Site Connect configurations. This combined configuration requires only software updates for radios and repeaters, but does not require any new hardware.

NOTE: Only repeaters with 32 MB of internal memory (e.g. DR 3000 or MTR3000) can support the LCP configuration.

Linked Capacity Plus uses the IP Site Connect type of backend network for communication between sites. The IP Site Connect supports a wide variety of backend networks from a dedicated network to an internet provided by the ISP. Linked Capacity Plus supports all backend networks supported by IP Site Connect, but more bandwidth is required from an ISP provider for a LCP system, compared to an IP Site Connect system. The backend is designed to work seamlessly with internet connectivity. The system requires only one of the repeaters to have a static IPv4 address. Additionally, the system avoids the need for reconfiguration of a customer's network, such as reprogramming of firewalls.

Similar to Capacity Plus, LCP repeaters at a site are connected over a LAN. A Capacity Plus repeater uses multiple individual messages to communicate with the rest of the repeaters on site. However, an LCP repeater sends a broadcast message to IP Limited Broadcast Address (255.255.255.255). The broadcast messages may produce some adverse effects on the other devices present on the LAN. Therefore, an LCP configuration requires only the LCP repeaters to be present on the LAN.

The call start-up of LCP is a combination of IP Site Connect and Capacity Plus configurations with the following enhancements:

- In an IP Site Connect system, a customer can configure a logical channel as either a local channel or a wide area channel. A call over a local channel is repeated only over the local site, whereas a call over a wide area channel is repeated over all the sites where at least a channel is idle. Instead of local and wide area channels of IP Site Connect, LCP supports both local and wide area talkgroups. A repeater handles a local talkgroup call in the same method as in a Capacity Plus configuration. However, a wide area talkgroup call is repeated over all the associated sites where at least one logical channel is idle.
- In an IP Site Connect system, a call starts at all sites. This is often called “All sites light-up”. An advantage of this is the simplicity in implementation because repeaters are not required to know the list of radios present at its site. A disadvantage is that a multi-site configuration does not increase the capacity of a system. Only the coverage of the system increases. LCP makes the following enhancements:
 - LCP allows defining a talkgroup as a wide area talkgroup. A wide area talkgroup call lights up only the sites which are statically associated with the talkgroup. The call is rejected when a radio tries to initiate a wide area Group Call from a site not associated with the talkgroup.
 - The talkgroups not defined as wide-area are local talkgroups. A local call ‘lights-up’ only one site where the initiating radio is located.
 - The LCP Private Call initially “lights-up” all the sites but after approximately 400 milliseconds, the call continues only at the sites (at most two) where the source radio or destination radio are present.
- In LCP, a wide area non-Emergency talkgroup call starts only if all the associated sites have idle channels. This is defined as “All Start.” Additionally, LCP allows a customer to reserve a number of logical channels for wide area talkgroup calls only. This improves the success of “All Start” for the wide area talkgroup calls.
- Just like a Capacity Plus system, an LCP system has no controller. Repeaters of a site trunk the logical channels available at the site. The trunking process in LCP is similar to that of Capacity Plus. Repeaters of a site do not participate in trunking the RF resources of another site. Each site trunks their channels independently.

2.2.2 MOTOTRBO Supports Analog and Digital Operation

The MOTOTRBO system can be configured to operate in analog mode, digital mode, or in Dynamic Mixed Mode. The system can consist of multiple repeaters. A single MOTOTRBO repeater configured to operate in Dynamic Mixed Mode can dynamically switch between analog and digital modes depending on the type of call it receives. A repeater in Dynamic Mixed Mode system cannot be part of multiple repeater system in which the repeaters are connected over the network for IP Site Connect, Capacity Plus, or Linked Capacity Plus operation.

MOTOTRBO portable and mobile radios can communicate in analog **and** digital. The mobile or portable radio user selects the mode of operation (analog or digital), and physical and logical channel using his channel selector knob (each channel selection position is configured for a particular call type on either a digital channel that specifies both frequency and time slot, or an analog channel that specifies both frequency and 25 kHz or 12.5 kHz bandwidth). Radio channels are either analog or digital. This is configured by the CPS. The radio can scan between analog and digital channels.

Greater detail on channel planning and configuration is provided in “System Design Considerations” on page 241.

2.2.3 MOTOTRBO Channel Access

Channel access dictates what conditions a radio is allowed to initiate a transmission on a channel. The channel access rules of MOTOTRBO are governed by the mobile and portable radios. It is the radio's responsibility to assess the state of the system, and utilize its channel access rules to decide whether to grant the call to the user.

In repeater systems, it is the repeater's responsibility to:

- Identify if a channel is busy, or
- Identify if a channel is idle, or
- Inform for which radio the channel is reserved.

The repeater does not block or deny any channel access from radios on its system, but will not repeat transmissions from another system.

There are two main types of channel access in a MOTOTRBO system: Polite and Impolite access. In the configuration software, channel access is referred to as the Admit Criteria. MOTOTRBO supports the following Admit Criteria:

- **Always:** This criteria is often referred to as "Impolite" channel access, and can be applied to analog and digital channels.
- **Channel Free:** This criteria is often referred to as "Polite to All", and can be applied to analog and digital channels.
- **Color Code Free:** This criteria is sometimes referred to as "Polite to Own Color Code" or "Polite to Own System", and is applied only to digital channels.
- **Correct PL:** This criteria is sometimes referred to as "Polite to Other System", and is applied only to analog channels. The radio checks for a PL match prior to allowing a transmission.

Channel access methods must be specified for each channel in the radio CPS. The TX (Transmit) parameters for each defined channel contains an "Admit Criteria" selection that must be set to one of the values described above.

All these channel access options govern how standard group voice calls and Private Calls access the system. Not all transmission types utilize these settings. For example, emergency voice calls always operate impolitely. This gives emergency voice calls a slightly higher priority over existing traffic on the channel. Data calls are always polite. Since a data call can be queued and retried, its priority is considered lower than voice.

Note that a "polite" radio user attempting a voice call will be polite to data, but an impolite user may not. Control messages (used for signaling features) are also always polite. The exception is the emergency alarm. Emergency alarms are sent with a mix of impolite and polite channel access, in order to optimize the likelihood of successful transmission.

When the Admit Criteria is either Channel Free or Correct PL, a configurable RSSI threshold is provided per channel in the radio. If the received signal strength is less than the configured RSSI threshold, the signal is considered as an interference and the radio gets channel access when the user initiates a new call. However, if the received signal strength is greater or equal to the configured threshold, the channel is considered busy and the radio does not get channel access when the user initiates a new call. It is the responsibility of the site planner or the service provider to set the RSSI Threshold to an appropriate value considering the RF interference and also ensure

that the desired signal strength is more than the configured threshold. The default value of RSSI Threshold is -124 dBm. The configurable range is between -124 dBm to -80 dBm. When a value of -124 dBm is selected, subscriber does not get channel access if carrier activity is detected due to interference on the channel when the user initiates a new call. A value of -124 dBm is very sensitive to RF interference.

When operating in IP Site Connect mode, the repeaters also check the channel for interference before transmitting. This is required since even though the source radio checks the channel at one site, it does not mean there is no interference at another site. Therefore, a repeater will check for over-the-air interference before waking up and transmitting. The repeater always acts with an Admit Criteria of **Channel Free** and has a configurable signal strength threshold. Note that although one site may be busy, the other non-busy sites will continue with the call.

2.2.3.1 Impolite Operation (Admit Criteria of “Always”)

When configured for impolite operation, a radio does not check for an idle channel prior to allowing a transmission. From the user’s perspective, the radio simply transmits when the PTT is pressed. However, on a digital repeater channel, the radio checks if the repeater is hibernating. Transmission will not proceed, if the repeater is hibernating and the radio is unable to wake it.

NOTE: It is very important to note that when a radio is utilizing impolite operation, it is possible that it is transmitting on top of another user’s transmission. This causes RF contention at the target. When RF contention occurs between digital transmissions, it is impossible to predict which signal is usable. If one transmission is much stronger than the other, it is received instead of the weaker signal. But in most cases, the two transmissions on the same frequency and time slot results in both transmissions being unusable. Thus, it is recommended that only disciplined users are granted the right to use impolite operation. Further, those impolite users are encouraged to utilize the busy channel LED on their radio to determine, if the channel is idle prior to transmitting.

When operating in IP Site Connect mode, it is important to understand that impolite channel access only occurs at the local site. If a call is taking place on the IP Site Connect system, and the original source of that call is at the same site as the interrupting “impolite” radio, RF contention will occur and it is unclear which source will be successful. If the original source of the call is at a different site from the interrupting radio, the original call continues at all other sites except where the interrupting radio is located.

When operating in Capacity Plus or Linked Capacity Plus modes, the impolite operation is supported only in Emergency Calls.

2.2.3.2 Polite to All Operation (Admit Criteria of “Channel Free”)

When configured for Polite to All operation, the radio checks if channels are idle or busy, prior to allowing a transmission. The radio is polite to all analog or digital transmissions, another system’s transmission, or other traffic on your system. This option is often used, when there are neighboring communications systems, to prevent radio users from disrupting each other’s transmissions. However, when this option is used, any strong signal on the channel blocks other users from transmitting.

2.2.3.3 Polite to Own Digital System Operation (Admit Criteria of “Color Code Free”)

This criteria applies only to digital channels. When configured for *Polite to Own Digital System* operation, the radio checks for an idle or busy channel, prior to allowing a transmission. This operation is similar to the *Polite to All* operation with exception that the radio is not polite to analog systems or other system’s transmissions. It is only polite to other traffic in its own system. This option is often used when there are no neighboring communications systems, or when there is no concern about interfering with radios in neighboring communication systems.

2.2.3.4 Polite to Other Analog System Operation (Admit Criteria of “Correct PL”)

This criteria applies only to analog channels. When configured for *Polite to Other Analog System* operation, the radio checks for an Idle or busy channel, prior to allowing a transmission. This operation is similar to the *Polite to All* operation with exception that the radio is not polite to analog systems with the same PL. It is polite to other system’s transmissions. The radio checks for a PL match prior to allowing a transmission.

2.2.3.5 Polite or Impolite, or Voice Interrupt While Participating in a Call (In Call Criteria)

The In Call Criteria applies only when the radio is participating in an active call. The radio can optionally allow others that are part of the call to transmit impolitely (Always), to automatically clear the channel using the Voice Interrupt feature prior to beginning the voice transmission (Voice Interrupt), or to follow the previously configured channel access (Follow Admit Criteria). If configured for an In Call Criteria of Always, the user will receive a Talk Permit Tone when they press the PTT while receiving a transmission for them. In other words, a radio has the ability to transmit over another user while listening to their transmission. However, when this happens, the other party does not stop transmitting and therefore RF contention can occur which may corrupt both transmissions. The In Call Criteria of Voice Interrupt is an alternative to the In Call Criteria of Impolite.

The Voice Interrupt option has advantages including the ability to avoid the previously described RF contention issue by clearing the channel prior to beginning a transmission, which yields a higher probability of successfully communicating with the intended target radio(s), as compared with the RF contention encountered with impolite transmissions. However, Voice Interrupt has disadvantages including a longer channel access time when an interruption is necessary, due to the signaling having to complete the interruption and handoff.

If configured for an In Call Criteria of Voice Interrupt, the radio user receives a Talk Permit Tone when PTT is pressed while receiving an interruptible voice transmission and the channel is successfully cleared down. In other words, a radio user has the ability to clear the channel of another user’s interruptible voice transmission before beginning their own voice transmission when both radios are participating in the same voice call (e.g., both are members of the same group during a Group Call, or both are participating in the same Private Call). The radio user whose transmission was interrupted, receives a Talk Prohibit Tone until the user releases the PTT. If the channel is not successfully cleared down, the user typically receives a Channel Busy Tone until the PTT is released.

NOTE: For the Voice Interrupt feature to operate consistently, all radios using the channel should be provisioned with the ability to be interrupted. However, not all need to be provisioned with the Voice Interrupt capability.

If some radios are provisioned without the ability to be interrupted (e.g., normally desirable for a supervisor's radio), then those transmissions cannot be interrupted and the radio user receives a Channel Busy tone if the Voice Interrupt feature is attempted while receiving an uninterruptible voice transmission.

If configured for *Follow Admit Criteria* and the previously configured channel access (Admit Criteria) is set to either *Channel Free* or *Color Code Free*, the user will receive a Transmit Denial Tone when they press the PTT while receiving a transmission for them. Users must wait until the user stops transmitting and call hangtime starts before they are granted a transmission. Utilizing the Channel Free Tone helps train users from transmitting too early. Although a setting of Always may be useful for speeding up conversations for well disciplined users, it may cause undisciplined users to "step over" other users. Therefore, it is recommended that most users are provisioned with an In Call Criteria of *Follow Admit Criteria*.

2.2.3.6 Repeater Wake-up Provisioning

When there is no inbound traffic for a specified duration (Subscriber Inactivity Timer), the repeater stops transmitting and enters an inactive state. In this inactive state, the repeater is not transmitting, but instead it is listening for transmissions. When the user or radio needs to transmit through the repeater, the radio sends a wake-up message to the repeater.

Upon receiving the wake-up message, the repeater activates and begins transmitting idle messages. The radio then synchronizes with the repeater before it begins its transmission.

The repeater wake-up sequence is configurable within the radio. The number of wake-up attempts ("TX Wakeup Message Limit") and the time between the attempts ("TX Sync Wakeup Time Out Timer") may be altered if required to operate with other vendor's systems. It is recommended that these values remain at default while operating on MOTOTRBO systems.

2.3 MOTOTRBO Digital Features

2.3.1 Digital Voice Features

WARNING: It is not recommended to delete a contact from the digital contact list because each contact can be tied to a cross-functional fleet of systems and devices communicating together. This may cause the radio to work incorrectly.

2.3.1.1 Group Calls

The digital group is a way of enabling groups to share a channel without distracting and disrupting one another. Because two-way radios are well suited for “one-to-many” types of calls, the Group Call is the most common call in a MOTOTRBO system. Hence, the majority of conversations takes place within a group.

The Capacity Plus and Linked Capacity Plus systems allow a radio user to leave a Group Call and start another voice or emergency or control call (e.g. Call Alert, Radio Check, Radio Inhibit/Uninhibit, etc.) while the radio is busy listening in to a Group Call. The radio moves to the current Rest Channel and starts a new call on the Rest Channel. If a user starts a non-Emergency Call when all channels are busy, then the call fails, and the radio stays on the traffic channel.

Individual radios that need to communicate with one another are grouped together, and configured to be members of a group. A transmitting radio can be heard by all the radios within the same group, and on the same logical channel (frequency and time slot.) Two radios cannot hear each other, if they are on the same logical channel (frequency and time slot) but on different groups. Two radios on different logical channels cannot hear each other, even if they are placed in the same group.

In MOTOTRBO systems, capabilities for Group Calls are configured with the portable and mobile radio CPS. The repeater does not require any specific configuration for groups. Radios can be configured to enable the user to select among multiple groups using the radio channel selector knob or buttons, or using the radio menu contacts list. Which group a radio user hears on a given channel depends on a configurable parameter called the RX Group List. A call preceding tone can be provisioned to alert the target user of the incoming Group Call. This can be enabled or disabled per Group. An introduction to configuring Group Calls and RX Group Lists is provided in “System Design Considerations” on page 241 of this document.

Groups are defined according to the organizational structure of the end user. When planning for groups, customers should think about:

- which members of the functional workgroups in their organization that need to talk with one another,
- how those workgroups interact with members of other workgroups, and
- how users will collectively share the channel resources.

Greater detail on the fleetmapping process is provided in “System Design Considerations” on page 241 of this document.

2.3.1.2 Private Calls

MOTOTRBO provides the capability for a user to place a Private Call directly to another radio, even if they are not in the same group. However, for this action to take place both radios need to be on the same channel and time slot. This feature allows a radio user to carry a one-to-one conversation that is only heard by the two parties involved. For example, an employee may use a Private Call to privately alert a specific manager about a security incident, rather than placing a Group Call that would be heard by the whole group. Though Private Calls utilize the signaling capabilities in MOTOTRBO systems to govern which radios are allowed to participate, the use of a Private Call does not necessarily imply the use of encryption or scrambling.

Private Calls can be configured as *confirmed* or *unconfirmed* on a per channel basis. For confirmed Private Calls, the calling radio transmits a short control signal message to the target radio. This signaling verifies the presence of the target radio before being allowed to start the call. The receiving user does not need to manually “answer” this signal, but rather the receiving radio automatically responds to the setup request. Once the receiving radio replies to the setup request, the initiating radio sounds a Talk Permit tone and starts the call. The receiving radio sounds a Private Call indication to the user, prior to relaying the received voice. Once a Private Call is set up, subsequent transmissions do not require the call setup messaging. For unconfirmed Private Calls, the calling radio does not transmit any control signaling before being allowed to start the call. Although there is no confirmation the radio is present on the system, an audible indication from the target user may act as confirmation. For example, “Joe are you there?”, “Yes, go ahead.”.

It is important to understand the advantages and disadvantages of confirmed and unconfirmed operation as it relates to performance. In general, confirming radio presence increases the setup time (voice access time) of a Private Call since the user must wait for the control signaling to go through the radio network before acquiring a talk permit tone. Although this may take more time, it does guarantee that the target radio is present prior to providing the talk permit tone. When operating on an IP Site Connect system that is connected through the public internet, this time may be longer than when operating on a single site since the control messaging may be traversing through the internet. If the target radio is scanning or roaming, the setup time of a confirmed Private Call may increase due to the fact that the first control message may not successfully reach the scanning or roaming radio. The second attempt, which contains a preamble, has a higher likelihood of reaching the scanning or roaming radio.

Since unconfirmed Private Calls do not transmit any control signaling, the additional setup time is not required and therefore the voice access time is shorter. Because setup messaging is not used prior to starting the call, it is possible that scanning or roaming radios may arrive late to a call. This could cause the user to miss the first few words of the transmission (no more than what is lost while scanning for a Group Call). In addition, the user must utilize an audible acknowledgement to validate presence when configured with unconfirmed Private Calls since no control messaging is used to confirm radio presence.

In MOTOTRBO systems, capabilities for Private Calls are configured with the portable and mobile radio CPS. The repeater does not require any specific configurations for Private Calls. Radios can be configured to allow the user to select the recipient of a Private Call using the radio menu contacts list. Private Calls can also be mapped to a channel selection or a programmable button. Users can also manually dial the destination radio ID with the radio keypad. This means a radio can make a Private Call to any other radio that is on the channel, regardless of whether the radio has created a CPS Private Call entry for the target radio. A call receive tone, or call preceding tone, can be configured to alert the target user of the incoming Private Call. This can be enabled or disabled per individual radio. Greater detail on the fleetmapping process that governs who is allowed to make Private Calls and to whom, as well as an introduction to the CPS configuration

section for Private Calls, is provided in “System Design Considerations” on page 241 of this document.

2.3.1.3 All Call

All Call is a one way voice call between a privileged operator and all users on a logical channel. The transmitting radio utilizes a special All Call group that every radio on the same system and logical channel (regardless of group) will receive.

In both Capacity Plus and Linked Capacity Plus systems, all the radios (including radios on busy channels, except the transmitting radio(s) and radios listening to Emergency Calls) listen to an All Call. The listening radios on a busy channel may take up to 350 ms to leave their channels and enter the All Call late. The transmitting radio on a busy channel only enters the All Call late, after finishing the ongoing transmission. If a radio initiates emergency while participating in an All Call, then the emergency transmissions are made on the Rest Channel and the radios interested to participate in the Emergency Call, leave the All Call to join the Emergency Call.

Example: An All Call is occurring on Channel 1, and Channel 2 is the Rest Channel. The radio initiating an Emergency Call leaves Channel 1, moves to Channel 2, and starts the Emergency Call. The start of the Emergency Call is announced on Channel 1. This triggers the radios that want to participate in the Emergency Call to leave Channel 1 and move to Channel 2.

As an All Call is considered a one-way transmission, users cannot talk back to an All Call. If the user transmits after receiving an All Call, he transmits using his currently selected group. An All Call follows the Admit Criteria of the selected channel. More information on the Admit Criteria is provided in “Channel Access Configuration” on page 352.

All Calls do not communicate across different time slots or channels within the system. The ability to initiate an All Call is only programmed into radios that are used in supervisory roles. All other radios monitor All Call transmissions by default. This feature is very useful when a supervisor needs to communicate with all the users on a logical channel, rather than just a particular group or individual.

In MOTOTRBO systems, capabilities for All Calls are configured with the portable and mobile CPS. The repeater does not require any specific configurations for All Calls. Radios can be configured to enable the user to select an All Call via the radio menu contacts list. All Calls can also be mapped to a channel selection or a programmable button. A call receive tone, or call preceding tone, can be configured to alert the target user of the incoming All Call. Greater detail on the fleetmapping process governs who is allowed to make All Calls, as well as an introduction to CPS configuration section for All Calls, is provided in “System Design Considerations” on page 241 of this document.

2.3.1.4 DTMF Hot Keypad

When this feature is enabled, the numeric keypad allows live dialing during dispatch operation. During a voice call, the user can transmit the following characters using a MOTOTRBO radio with keypad: 0 1 2 3 4 5 6 7 8 9 * #. These characters are encoded as dual tone multi frequency (DTMF). These DTMF tones enable the user to communicate with a device connected to a control station using the numeric keypad.

This feature is supported in single site conventional, IP Site Connect, Capacity Plus and Linked Capacity Plus system configurations. This feature is also supported by radios in analog mode.

WARNING: Because a phone patch call needs other call processing requirements in addition to DTMF tones, simply connecting an APP box to the control station does not enable the phone patch call capability. If phone patch calls need to be supported, please use the configurations defined in the DTP feature. See “Digital Telephone Patch (DTP)” on page 299.

2.3.2 Transmit Interrupt

The Transmit Interrupt feature is a suite of features proprietary to Motorola. This feature generally allows a radio to shut down an ongoing clear, basic privacy, or enhanced privacy interruptible voice transmission, and potentially initiate a new transmission. Transmit Interrupt is independent of call type, therefore it applies to Group Calls, Private Calls, Emergency Calls and All Calls. This feature also applies to Private Calls that are initiated via remote monitor command, and Group Calls that are initiated via emergency remote monitor.

For software version R01.06.00, this feature is supported on digital direct channels, digital repeater channels and IP Site Connect local channels. For **software version R01.07.00 or later**, this feature is also supported on Capacity Plus system configurations and IP Site Connect wide area channels. For IP Site Connect wide area channels, a repeater can use this feature to stop a voice transmission where a radio continues to transmit even after failure of arbitration. This also provides feedback to the transmitting radio that the transmission is not repeated over-the-air and allows the radio to participate in a call started by another radio.

Transmit Interrupt is also supported on Linked Capacity Plus system configurations.

To support different use cases, Transmit Interrupt has four unique variations:

- **Voice Interrupt:** This feature allows a radio that is unmuted to an interruptible voice call, to stop the ongoing voice transmission and initiate its own voice transmission to the same call membership. Voice Interrupt is typically used during a prolonged voice transmission when “late-breaking” or urgent information becomes available, and it is necessary to disseminate the information to the group as quickly as possible.
- **Emergency Voice Interrupt:** This feature allows a radio to stop any ongoing interruptible voice transmission, and initiate its own emergency transmission. Emergency Voice Interrupt gives a radio an improved access to the radio channel, in an emergency condition.
- **Remote Voice Dekey:** This feature allows a radio to stop an ongoing interruptible voice transmission. It is typically used by a supervisor to remotely dekey a radio that is inadvertently transmitting (e.g., the PTT is inadvertently pressed for an extended period of time) and occupying the radio channel.
- **Data Over Voice Interrupt:** This feature allows a third-party data application on an option board or attached PC to control the radio in order to stop any ongoing interruptible voice transmission and initiate its own data message transmission. The application can also specify in the data message, an option to discard itself, if an ongoing voice transmission is not interruptible. This feature is useful in situations where data traffic is more important than voice traffic. Data Over Voice Interrupt is not used by any data applications native to the radio (e.g., Text Message, Location, and Telemetry do not use Data Over Voice Interrupt).

While receiving a Direct Mode/Dual Capacity Direct Mode (DCDM) transmission, a radio may use the Transmit Interrupt feature to remotely dekey the transmitting radio and begin its own Direct Mode or Repeater Mode transmission. Similarly, while receiving a Repeater Mode transmission, a radio may use the Transmit Interrupt feature to remotely dekey the transmitting radio, and begin its own Repeater Mode transmission. However, the radio may not use the Transmit Interrupt feature to remotely dekey the transmitting radio's Repeater Mode transmission and begin its own Direct Mode transmission. This scenario is not supported because Transmit Interrupt dekeys only the radio's transmission within a channel (timeslot), but does not dekey the repeater which remains keyed on the Direct Mode carrier frequency, and supports two channels (timeslots). The repeater is not dekeyed because this may interfere undesirably with a call in the other channel (timeslot) supported by that repeater.

Provisioning of the Transmit Interrupt feature in general, is separated into two basic categories:

1. Radios that have the ability **for voice transmissions to be interrupted**.
2. Radios that have the ability **to initiate transmit interrupt commands**.

NOTE: The radios may be provisioned with none, one, or both of these capabilities.

There are a few important items to consider before provisioning of the Transmit Interrupt feature:

- The Transmit Interrupt feature is supported in digital direct mode, single site repeater mode, on both local and wide area slots of the IP Site Connect mode, Capacity Plus, and on Linked Capacity Plus system configurations.
- In Capacity Plus and Linked Capacity Plus configurations, an All Call can only be stopped by Emergency Voice Interrupt. Voice Interrupt, Remote Voice Dekey, or Data Over Voice Interrupt features are not supported.
- Because the Transmit Interrupt features are proprietary to Motorola and use some proprietary signaling (i.e., manufacturer-specific extensions that comply to the ETSI DMR Tier 2 standards), non-Motorola radios may not be able to unmute to an interruptible voice transmission and Motorola radios may not be able to interrupt a non-Motorola radio's voice transmission. Hence, it is highly recommended to assign radios to separate groups and/or channels. This classifies radios provisioned with Transmit Interrupt capability from the radios that are not provisioned with the capability.
- In **Direct Mode**, Transmit Interrupt can typically clear an interruptible voice transmission from the channel in *less than two* seconds. In **Single Site Repeater Mode**, Transmit Interrupt can typically clear an interruptible voice transmission from the channel in *less than three* seconds. The Transmit Interrupt feature provides one automatic retry in the event that the first interrupt attempt fails due to corrupt signaling (e.g., RF coverage degradation, signaling collisions with other radios, etc.). The retry essentially doubles the times shown above. If the radio user still needs to interrupt after the failed retry, the user needs to initiate another service request.
- VOX is not compatible with the Transmit Interrupt feature. Therefore, VOX is prevented from operating when any of the Transmit Interrupt features are enabled.

NOTE: For the Transmit Interrupt feature to operate consistently, all radios using the channel should be provisioned with the ability to be interrupted. If some radios are provisioned without the ability to be interrupted (e.g. normally desirable for a supervisor's radio), then those radios' transmissions cannot be interrupted.

2.3.2.1 Upgrading a System to be Transmit Interrupt Capable

There are several considerations when upgrading a deployed system that presently do not support the Transmit Interrupt feature,¹ to become Transmit Interrupt capable.

For systems that use a DR 3000 repeater, the repeater software version must be upgraded to R01.06.00, or later.

For systems that do not use privacy exclusively (See “Voice and Data Privacy” on page 92), radio transmissions with privacy disabled and interruptible voice enabled cannot be received by radios using software versions prior to R01.06.00.

For systems that use privacy exclusively, there are no major concerns receiving radio transmissions with both privacy and interruptible voice enabled; provided the older release supports the type of privacy being used by the radio provisioned with software version R01.06.00 or later.

To minimize service disruption during the upgrade period, systems that do not use privacy exclusively may be upgraded using the following approach:

- Provision **new radios** with software version R01.06.00 or later. Configure two channels; one channel with Transmit Interrupt features enabled, and the other channel with all Transmit Interrupt features disabled. During the upgrade, the channel with all Transmit Interrupt features disabled is used.
- Individually upgrade **previously deployed radios** to software version R01.06.00 or later, and provision with the two channels described above. The channel with all Transmit Interrupt features disabled is then used during the upgrade.
- For systems that use a **repeater**, the repeater may be upgraded to be Transmit Interrupt capable at any time. Finally, once all radios have been upgraded to the compatible software version, the channel with the Transmit Interrupt features enabled is used by all radios on the system.

2.3.3 Digital Signaling Features

We have already described how digital calls utilize digital vocoding and error correction coding processes, and that a given digital call occupies a single logical channel (frequency and TDMA time slot). Within a given time slot, the digital call is organized into voice information and signaling information. Included in the signaling information is an identifier used to describe the type of call that is transmitted within the time slot (e.g. Group Call, All Call, or Private Call). Signaling information also includes identification information and/or control information, which is used to notify listeners on a voice call of system events and status (e.g. the ID of the transmitting radio and the group ID). Because this information is repeated periodically during the course of the call, this embedded signaling allows users to join a voice transmission that is already in progress and still participate in the call. This is referred to as Late Entry, and is an advantage over analog signaling schemes.

1. Systems that are running on software versions R01.01.00 – R01.06.00, or later which has the Transmit Interrupt feature disabled in the CPS configuration, or non-Motorola equipment, etc.

2.3.3.1 PTT ID and Aliasing

This feature allows the target radio to identify the originator of a call. If programmed with the radio CPS (Customer Programming Software), a user friendly alphanumeric name or “alias” can also be displayed. These user friendly aliases are also used when initiating voice calls and digital signaling features. The alias information in the transmitting radio should correspond with the alias information in the receiving radio. The transmitting radio ID is sent over-the-air and, if there is an alias for that ID in the receiving radio, the receiving radio displays the alias. If no alias is configured at the receiving radio for that ID, then only the transmitting radio's ID is shown.

2.3.3.2 Radio Enable/Disable

There are two ways to enable/disable a radio:

- by another radio, typically in a supervisory role, that sends Inhibit/Uninhibit command **using over-the-air signaling**, or
- by a third-party application connected to the repeater, that sends Inhibit/Uninhibit command **using the ADP application**.

2.3.3.2.1 Using Over-the-Air Signaling

The Radio Disable feature can be used to stop any inappropriate use of a radio, or to prevent a stolen radio from functioning. In MOTOTRBO systems, Radio Disable is configured in the portable and mobile radios with the CPS. To allow a radio to use this function, it must be enabled in the CPS “Menu” settings. To permit (or prevent) a radio from receiving and responding to this command, go to the “Signaling Systems” settings in the CPS.

When disabled, the radio's display blanks and the radio is no longer able to make or receive calls. The radio can still be turned on and off; this indicates that the radio has not failed, but is disabled. Once disabled, a radio can also be enabled via the CPS. All radios are configured to accept Inhibit commands by default, but this can be disabled via the CPS.

For over-the-air radio enable signaling to be successful, the target radio must be turned on and be within coverage of the site it was disabled at. This is important since a disabled radio locks onto the site or channel on which it was disabled, even after a power cycle. To receive an enable command over-the-air, the radio also has to be within coverage of the site where the disabling occurred. This may also be accomplished by communicating with the radio on the talkaround frequency of the site in which it was disabled.

2.3.3.2.2 Using the ADP Application

The Radio Enable/Disable feature can also be initiated utilizing an IP-based ADP application – provided the repeater configuration supports IP Site Connect (wide area slot or local area slot) or Capacity Plus mode of operation, and the application supports the operation.

For further details on how an IP-based ADP application is supported in the different modes of operation, refer to sections 2.18.2.1 “ADP Interface with IP Site Connect”, 2.18.2.2 “ADP Interface with Capacity Plus” and 2.18.2.3 “ADP Interface with IP Site Connect and Capacity Plus”.

An IP-based ADP application can monitor call related activities. Based on the activities, if the application detects an unauthorized radio's attempt to access the system, it can select one of the following ways to prevent the unauthorized access:

- The application requests the repeater to send a Radio Inhibit command to the receiving radio over-the-air. The repeater forwards the acknowledgement from the radio to the application. The application provides an indication to the user that the command was a success or failure. Similarly, the application can request a repeater to send an Uninhibit command for a disabled radio.
- When the feature is disabled in a radio, the radio ignores all Inhibit commands. With the release of software version R01.07.00, the application can request the repeater to stop repeating the bursts received from an unauthorized radio over the outbound RF repeater channel (for the duration of the unauthorized radio key-up). This solution also prevents outbound over-the-air transmissions received from an unauthorized radio.
- In software versions R01.07.00 or later, MOTOTRBO supports the IP Console Radio Enable/Disable commands, which can not be disabled in a radio using the CPS. These commands can only be initiated by the application, and can not be issued by a radio. The repeater processes the IP Console Radio Enable/Disable commands only if it receives over the IP interface. The repeater schedules the IP Console Radio Disable command for over-the-air transmission to the target radio in the system. A radio always processes the IP Console Radio Disable command from the repeater and disables itself, similar to the Radio Disable command. Similarly, the application can schedule an IP Console Radio Enable command via the IP interface.

2.3.3.3 Remote Monitor

The Remote Monitor feature allows a remote user to activate a target radio's microphone and transmitter for a period of time. A call is silently set up on the target radio, and its PTT is controlled remotely without any indications given to the end user. The duration that the target radio transmits after receiving a Remote Monitor command is set in the target radio through the CPS. When receiving the Remote Monitor command, the target radio initiates a Private Call back to the originator of the Remote Monitor command.

This feature is used to ascertain the situation of a target radio which is powered-on, but is unresponsive. This is beneficial in a number of situations including:

- theft,
- incapacity of the radio user, or
- allowing the initiator of an Emergency Call to communicate hands-free in an emergency situation.

In MOTOTRBO systems, Remote Monitor is configured in portable and mobile radio CPS. To allow a radio to use this function, it must be enabled in the CPS "Menu" settings. To permit (or prevent) a radio from receiving and responding to this command, go to the "Signaling Systems" settings in the CPS. When a radio is configured to decode the remote monitor command, the duration that the target radio transmits after receiving a Remote Monitor command is also set in the CPS "Signaling Systems" settings of the target radio.

The Remote Monitor feature may be activated on a disabled radio. Remote Monitor could also be programmed to be activated on radios that are in emergency mode only.

2.3.3.4 Radio Check

The Radio Check feature checks if a radio is active in a system without notifying the user of the target radio. Besides the Busy LED, there is no other audible or visual indication on the checked radio. The receiving radio automatically and silently responds with an acknowledgement to the initiating radio.

This feature is used to discreetly determine if a target radio is available. For example, if a radio user is non-responsive, Radio Check could be used to determine if the target radio is switched on and monitoring the channel. If the target radio responds with an acknowledgement, the initiator could then take additional action such as using the Remote Monitor command to activate the target radio's PTT.

In MOTOTRBO systems, Radio Check is configured in portable and mobile radio CPS. To allow a radio to use this function, it must be enabled in the CPS "Menu" settings. All MOTOTRBO radios will receive and respond to a Radio Check, i.e. this feature cannot be turned off in the CPS.

2.3.3.5 Call Alert

The Call Alert feature allows a radio user to essentially page another user. When a radio receives a Call Alert, a persistent audible and visual alert is presented to the user. The initiator of the Call Alert is also displayed. If a user is away from his radio at the time of the reception, the alert remains until the user clears the Call Alert screen. If the user presses the PTT while the Call Alert screen is active, he starts a Private Call to the originator of the Call Alert. For in-vehicle applications, this is often used in conjunction with the Horn and Lights option. When a user is away from his vehicle, a Call Alert can initiate the vehicle's horn and lights to sound and flash, which notifies the user to return to the vehicle and call the originator.

In MOTOTRBO systems, Call Alert is configured in portable and mobile radio CPS. To allow a radio to use this function, it must be enabled in the CPS "Menu" settings. All MOTOTRBO radios will receive and respond to a Call Alert (i.e. you cannot disable this feature by using the CPS).

2.3.3.6 Remote Voice Dekey

The Remote Voice Dekey feature allows a radio user to stop any interruptible voice transmission, except for All Calls. This ability to remotely stop an interruptible voice transmission is provisioned into the radio via the CPS and accessed via a programmable button.

NOTE: For the Remote Voice Dekey feature to operate consistently, all radios using the channel should be provisioned with the ability to be interrupted. However, not all need to be provisioned with the Remote Voice Dekey capability.

If some radios are provisioned without the ability to be interrupted (e.g., normally desirable for a supervisor's radio), then those radios' transmissions cannot be interrupted and the radio user receives a Remote Voice Dekey Failure Tone if Remote Voice Dekey is attempted while receiving an uninterruptible transmission. The radios that are provisioned without the ability to be interrupted (e.g., a supervisor's radio) may still be provisioned with the Remote Voice Dekey feature, which gives those radios the ability to interrupt another radio's interruptible voice transmission.

For this feature, the initiating radio is not required to be a member of the voice call that is being interrupted. Therefore, it is possible to interrupt a voice call, and then initiate a new call to a

different group or individual. Once the original voice transmission is terminated via the Remote Voice Dekey feature, the interrupting radio user can initiate a new call via any of the available call initiation methods.

When the programmable button is pressed and an interruptible voice transmission is on the channel, the radio attempts to stop the interruptible voice transmission. If the radio succeeds at interrupting the voice transmission, the radio user receives a Remote Voice Dekey Success Tone when the channel is successfully cleared down. If the radio fails to interrupt the voice transmission, then the radio user typically receives a Remote Voice Dekey Failure Tone. The radio user whose transmission was interrupted receives a Talk Prohibit Tone until the PTT is released.

2.3.4 Digital Emergency

MOTOTRBO offers a variety of emergency handling strategies that will fit the customer's organizational needs. In its basic form, MOTOTRBO provides the ability for a radio user in distress to send a confirmed emergency alarm message, and emergency voice to a user on a supervisory radio. The emergency alarm message contains the individual radio ID of the initiator. Upon reception of an emergency alarm, the supervisor receives audible and visual indications of the emergency and the initiating radio ID is displayed. Depending on configuration, emergency voice may follow between the initiator and the supervisor. Once the supervisor handles the emergency situation (i.e. solves the problem), he clears the emergency on the supervisor radio. Once the initiator clears his emergency on the initiator radio, the emergency is considered over.

NOTE: A radio will not roam while reverted to a channel due to an emergency or when Active Site Search is disabled. Reference the site roaming section for details on the interactions between emergency and roaming.

Each mobile radio can program the Emergency Alarm to any of the programmable buttons, whereas for the portable radio the Emergency Alarm can only be programmed to the orange button. The Emergency Alarm can also be triggered externally through a footswitch for a mobile application or any other applicable accessory. Pressing the emergency button causes the radio to enter emergency mode, and begin its emergency process.

When a user presses the Emergency button, the radio gives audible and visual indications to show that it has entered emergency mode. There is a CPS configurable option available, referred to as Silent Emergency, which suppresses all indications of the emergency status on the user's radio. This feature is valuable in situations where an indication of an emergency state is not desirable. Once the user breaks radio silence by pressing the PTT and speaking, the Silent Emergency ends, and audible and visual indications return.

When the user's radio is in the emergency mode, various other features are blocked that may distract him from his communication with the supervisor. For example, the user will not be able to initiate other features such as Scan, Private Call, or other command and control functions.

Once the emergency is complete (e.g. turn off and turn on the radio, or long/short press of the emergency button depending on the radio configuration) these abilities will return.

The emergency sequence is generally made up of two major parts:

- the signaling and
- the following voice call.

The emergency alarm is sent first, and depending on configuration is commonly followed up by an Emergency Call.

An emergency alarm is not a data service, but rather a confirmed command and control signaling that is sent to a group. More than one radio can be configured on the system to monitor that group, and be designated to acknowledge emergency alarms for that group. These radios are considered acknowledging supervisors. There is no user level acknowledgement. The supervisor radio automatically acknowledges the emergency, and provides an alert to the supervisor radio user. There are other radios that are designated to only monitor emergency alarms, but are not permitted to acknowledge them; these users are commonly referred to as non-acknowledging supervisors. Thus, sending the emergency alarm to a group allows for multiple supervisors to receive the emergency alarm indication. It is important that only one acknowledging supervisor should be configured per group and slot; otherwise there may be contention between the acknowledgements.

The supervisors retain a list of received emergency alarms so that they can keep track of multiple emergencies. Once cleared, the emergency alarm is removed from the list, and the next one is displayed. These emergencies are displayed in a last-in-first-out sequence. The supervisor has the ability to hide the emergency alarm list, so he can contact service personnel to attend to the received emergency situation. The channel where the emergency alarm was received is displayed to aid the supervisor when changing channels.

If the user follows up the Emergency Alarm with a voice call while in the emergency mode, his transmission contains an embedded emergency indication. Any radio user can be configured to display this embedded emergency indication. Emergency Calls are always processed with an admit criteria of *A/ways*. This allows the Emergency Call to transmit regardless of the current channel activity. If there is another radio currently transmitting, contention may occur.

The initiating radio supports a feature that is tied to silent emergency and the Emergency Call. The "Unmute Option" prevents the radio from receiving voice traffic after initiation of a Silent Emergency. In situations where an indication of an emergency state is not desirable, it is important to be able to mute incoming voice, that may give away the initiators emergency state. Once the user breaks radio silence by pressing the PTT and speaking, the radio returns to its normal unmute rules.

Silent emergency and the unmute options have no effect on data. It is the responsibility of the end user to make sure data is not sent to a terminal that would divulge any emergency state. Transmission of data does not clear Silent Emergency.

The channel and group on which a user transmits his emergency is crucial to properly contacting a supervisor. MOTOTRBO offers the ability for a user to transmit the emergency on a selected channel or to automatically change to a predetermined channel to transmit his emergency.

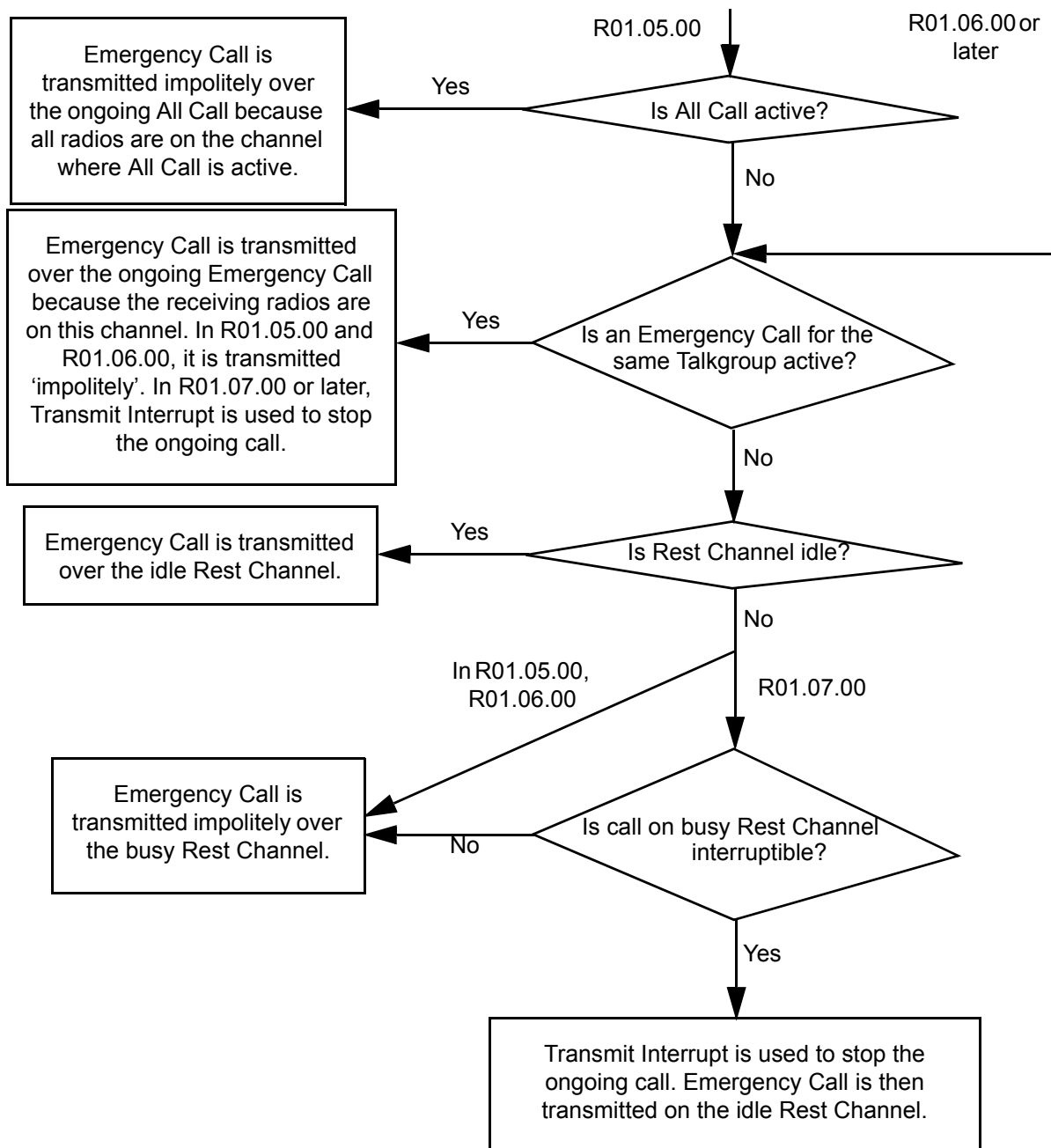
Transmitting an emergency on a selected channel (referred to as a "tactical" emergency) is often useful on small systems where there are only a few groups of users. Each group has its own specified user that handles emergencies.

Automatically changing to a predetermined channel, referred to as "reverting", is often useful in systems that have a dispatch style emergency strategy. Users in various groups and channels are configured to revert to a specific channel and group to process an emergency. This allows one user to monitor an "Emergency" group, and all other users revert to him in case of an emergency. This minimizes the possibility of supervisors missing emergencies on one channel, while monitoring other channels. After the emergency is cleared, all users revert back to the selected channel they were on before the emergency. In MOTOTRBO systems, the Emergency Revert

Channel is configured in portable and mobile radio CPS at the *Digital Emergency Systems* settings.

The Capacity Plus and Linked Capacity Plus systems do **not** support a revert channel for emergency. The start of an Emergency Call is announced over all busy channels. This allows a listening radio that is interested in joining the Emergency Call, to leave its channel and join the Emergency Call. A radio is interested in an Emergency Call if the emergency group is either the Tx-Group, or is in the Rx-Group list of the radio. A radio listening to an Emergency Call (e.g., e1) joins another Emergency Call (e.g., e2), only if the e2's group has a higher priority than the e1's group. The first priority is the Tx-Group, followed by any Rx-Group in the Rx-Group list of the radio.

The Capacity Plus and Linked Capacity Plus systems ensure that an Emergency Call should start on a channel where the users monitoring the "Emergency" group are present. There are some behavior differences in software versions R01.05.00 – R01.07.00. This is shown in the following flowchart:



NOTE: A radio does not provide any audible indication to the user when the radio switches channels. However, the group display on the radio changes.

NOTE: In software version R01.05.00, an Emergency Call may not be serviced if **ALL** of the following scenarios occur:

- All Trunked Channels are busy.
- A call for the emergency talkgroup is active on a channel.

- A radio powers on or joins the system after a long fade and the radio initiates an Emergency Call. In this instance, there is no radio to service the Emergency Call on the busy Rest Channel.

There are three major methods to process the emergency alarm and the Emergency Call; all are configurable through the CPS. They are Emergency Alarm Only, Emergency Alarm and Call, and Emergency Alarm with Voice to Follow.

The Linked Capacity Plus system handles an Emergency Call at the source site in the same way as in a R01.07.00 Capacity Plus system. If a Rest Channel is busy at a destination site, and the call is interruptible, then the ongoing call is interrupted for the Emergency Call to proceed. However, if the ongoing call is not interruptible, the Emergency Call starts impolitely.

NOTE: The impolite Emergency Call is sent to the sites associated with the emergency talkgroup.

2.3.4.1 Emergency Alarm Only

When configured for Emergency Alarm Only, the emergency process only consists of the emergency alarm part. The number of emergency alarm attempts and their admit criteria are configurable, and can even be set to retry indefinitely. The number of alarm attempts are controlled by CPS parameters in the *Digital Emergency System* settings; these parameters include the number of polite and impolite retries. The alarm is initially sent regardless of channel activity, and once the configured impolite attempts are exhausted, the polite retries are executed when the channel is idle. Emergency ends when:

- an acknowledgement is received,
- all retries are exhausted,
- the user manually clears the emergency, or
- the user pushes the PTT.

No voice call is associated with the emergency when operating as Emergency Alarm Only. Pressing the PTT clears the emergency, and a standard voice call is processed.

2.3.4.2 Emergency Alarm and Call

When configured for Emergency Alarm and Call, the emergency consists of the emergency alarm process followed by the ability to perform an Emergency Call. The number of emergency alarm attempts and their admit criteria are configurable, and can even be set to retry indefinitely. The alarm is initially sent regardless of channel activity, and once the configured impolite retries are exhausted, the polite retries are executed when the channel is idle.

Emergency alarm stops when:

- an acknowledgement is received, or
- all retries are exhausted.

The radio still remains in an emergency state. Any follow up PTT initiates an Emergency Call, and the call includes an embedded emergency indication. If the user presses the PTT before the radio sends an emergency alarm, the radio stops sending the alarm, and starts the Emergency Call. While in the emergency mode, all subsequent voice transmissions are Emergency Calls. The user remains in emergency mode until he manually clears emergency. The only way to reinitiate the emergency alarm process is to reinitiate the emergency.

2.3.4.3 Emergency Alarm with Voice to Follow

When configured for Emergency Alarm and with Voice to Follow, the emergency consists of sending a single emergency alarm, and followed by an automatic transmission of an Emergency Call. This is referred to as *hot microphone*. The radio only sends one emergency alarm regardless if there is channel activity, and then without waiting for an acknowledgement the radio immediately activates the microphone and initiates an Emergency Call without the need of the user pressing the PTT. The duration of the hot microphone state is configurable through the CPS in the *Digital Emergency Systems* settings. This transmission is considered an Emergency Call, and therefore includes the embedded emergency indication. Once this hot microphone duration expires, the radio stops transmitting, but remains in the emergency mode. Any follow up PTT initiates an Emergency Call, and includes the embedded emergency indication. The user remains in the emergency mode until he manually clears his emergency. The only way to reinitiate the emergency alarm and the hot microphone is to re-initiate the emergency.

It is important to note that when configured for Emergency Alarm with Voice to Follow, the radio will continue to transmit voice for the duration of the provisioned hot microphone timer. Since voice has priority over data, any data is queued while voice is transmitting, including the GPS update that was triggered by the emergency. The GPS data cannot be delivered until after the radio stops transmitting voice, and after the repeater hangtime has expired. The GPS data has no additional priority over other data queued in the radios, or over any traffic on the channel. Therefore, its delivery may be delayed if the radio in emergency has pending data queued or if the channel is busy processing other traffic.

It is recommended when utilizing Emergency Alarm with Voice to Follow and GPS, that the hot microphone timer be at maximum 30 seconds. There are a few reasons for this. First of all, data messages will not stay in the queue for ever, 30 seconds is short enough so to give the GPS data a chance to be transmitted without timing out. Second, if the hot microphone timer is longer than 30 seconds, and the GPS update rate is around the same value, then other GPS messages may start to fill up in the queue while the voice transmission is processing. This not only occurs with the radio in emergency, but with all other radios since the channel is busy. Therefore when the voice call ends, all radios will be attempting to access the channel with their GPS data which increases the likelihood of collisions and lost messages. Finally, it is important to understand that while the user is transmitting due to its hot microphone timer, there is no way to communicate back to him. Most users can explain their situation in less than 30 seconds and require some feedback from the emergency dispatcher much sooner. That is why it is recommended to keep this value low and if additional monitoring is required, the remote monitor feature can be utilized. Only use a long hot microphone timer in specialized applications.

Also, since the emergency alarm itself is not acknowledged nor retried, its reliability is less than that of the standard Emergency Alarm and Emergency Alarm Only and Call. These considerations should be taken into account when choosing to operate with Emergency Alarm with Voice to Follow.

2.3.4.4 Emergency Voice Interrupt for Emergency Alarm

The Emergency Voice Interrupt feature, when enabled in a radio, is used during the initiation of an emergency condition when an interruptible voice transmission is already taking place on the channel.

When an emergency is initiated with Emergency Voice Interrupt enabled, the radio attempts to interrupt an ongoing, interruptible voice transmission on the channel. The radio then uses the established procedures for either Emergency Alarm or Emergency Alarm with Call, depending upon the CPS configuration. For the Emergency Voice Interrupt for Emergency Alarm feature, the radio is not required to be a member of the voice call being interrupted.

NOTE: For the Emergency Voice Interrupt for Emergency Alarm feature to operate consistently, all radios using the channel should be provisioned with the ability to be interrupted. However, not all need to be provisioned with the Emergency Voice Interrupt for Emergency Alarm capability.

If some radios are provisioned without the ability to be interrupted (e.g., normally desirable for a supervisor's radio), then those radios' transmissions cannot be interrupted and the radio user instead transmits the Emergency Alarm in accordance with the configuration of the polite and impolite Emergency Alarm fields in the CPS, if Emergency Alarm is attempted while receiving another radio's uninterruptible transmission.

If the interruption of the voice transmission is successful, the radio uses the established procedures for either Emergency Alarm or Emergency Alarm with Call, depending upon the CPS configuration, once the channel has been cleared. The radio user whose transmission was interrupted receives a Talk Prohibit Tone until the PTT is released.

If the interruption of the voice transmission fails, the radio then uses the established procedures for either Emergency Alarm or Emergency Alarm with Call, depending upon the CPS configuration. However, the probability of success diminishes because the original voice transmission had not been successfully cleared from the channel.

If the voice call on the channel is not transmitting an interruptible voice signal, the radio uses the established procedures for either Emergency Alarm or Emergency Alarm with Call, depending upon the CPS configuration, again with a lower probability of success.

2.3.4.5 Emergency Voice Interrupt for Emergency Voice

The Emergency Voice Interrupt feature, when enabled in a radio, is used during the initiation of an emergency voice transmission, primarily when an interruptible voice transmission takes place on the channel and the radio does not belong to that voice transmission.

The radio attempts to interrupt the voice transmission, and then uses the established procedures for Emergency Voice Transmissions, when all of the following conditions are met:

- Emergency Voice Interrupt is enabled.
- The radio is in an emergency condition (e.g., the designated Emergency button was pressed previously).
- Another radio's interruptible voice transmission is taking place on the channel.
- The radio in the emergency condition does not belong to the other radio's voice transmission (i.e., the radio in the emergency condition is not receiving the other radio's voice transmission).
- The radio user in the emergency condition requests an Emergency Voice Transmission.

The Emergency Voice Interrupt for Emergency Voice feature is not used when the radio belongs to the voice call is being interrupted. Instead, when the radio belongs to the call on the channel (i.e., the radio that is receiving the voice transmission), the "In Call Criteria" is used rather than the Emergency Voice Interrupt feature. This is because some systems may disallow radios to interrupt any call to which they belong. In this case, the user must wait until the receiving transmission has finished, before beginning their Emergency Voice transmission.

The Emergency Voice Interrupt for Emergency Voice feature is also capable of interrupting an All Call provided the All Call is transmitting interruptible voice.

NOTE: For this feature to operate consistently, all radios using the channel should be provisioned with the ability to be interrupted. However, not all need to be provisioned with the Emergency Voice Interrupt for Emergency Voice capability.

If the radio succeeds at interrupting the voice transmission, the radio uses the established procedures for Emergency Voice Transmissions, once the channel has been cleared. The radio user whose transmission was interrupted, receives a Talk Prohibit Tone until the PTT is released. If the radio fails to interrupt the voice transmission or the voice transmission is not interruptible, the radio also uses the established procedures for Emergency Voice Transmissions. However, the probability of success diminishes because the original voice transmission had not been successfully cleared from the channel.

2.3.5 Restricted Access to System (RAS)

The Restricted Access to System (RAS) feature prevents unauthorized subscriber users from using the repeaters in the system to transmit to their targeted user or user groups. Additionally, RAS provides limited protection to prevent unauthorized subscribers from listening to any repeater outbound voice/data/CSBK transmission. The unauthorized subscriber device could be a Motorola subscriber, or a DMR-compatible subscriber from other vendors. However, RAS is not a privacy feature and if voice privacy is a concern, Basic Privacy or Enhanced Privacy should be used. See “Types of Privacy” on page 92 for details.

This feature supports all existing ADP interfaces and is supported in all MOTOTRBO system configurations – Conventional Single Site, IP Site Connect, Capacity Plus, and Linked Capacity Plus.

This feature provides two methods to prevent a subscriber from accessing the system: **RAS Key Authentication** and **Radio ID Range Check**. These two methods are independent of each other and may be enabled/disabled separately or together. When used together, they provide a robust and flexible way to control the subscribers’ access to the system.

2.3.5.1 Restricted Access to System (RAS) Key Authentication

In this method, both the repeater and subscriber are configured with a secret RAS key via CPS. When a subscriber transmits, the subscriber uses its configured RAS key to encode the bursts. When a repeater receives the bursts, the repeater also uses its configured RAS key to decode the bursts. If the RAS keys in the subscriber and repeater are the same, the repeater decodes and repeats the bursts successfully. However, if the subscriber does not have a RAS key or its RAS key does not match the one configured in the repeater, the decoding process in the repeater fails, and the transmission is blocked at the repeater. Therefore, the bursts from the unauthorized subscriber are not repeated and cannot reach the targeted user or user group.

This method is secure and difficult to break or circumvent, because the RAS ID length ranges from 6 to 24 characters. The algorithm is very robust. However, this method requires CPS configurations in the subscriber’s codeplug, resulting in more time and extra effort, when changes have to be made to a fleet of radios.

2.3.5.2 Radio ID Range Check

In this method, up to 64 radio ID ranges can be provisioned in the repeaters. Each of these radio ID ranges may be configured as **allowed** or left as **un-configured**. If the radio ID is within any of the allowed radio ID ranges when the repeater receives a transmission from a subscriber, the repeater repeats it normally. However, if the subscriber’s radio ID is not within any of the allowed radio ID ranges, the repeater blocks the transmission. Hence, the transmission from unauthorized subscribers are not repeated and cannot reach the targeted user or user group.

This method only requires configurations in the repeaters. Therefore, it is very easy to make changes quickly. However, an unauthorized user may analyze the radio transmission over-the-air, or use other means to guess some allowed radio IDs and create clones of authorized IDs, thus gaining access to use the repeater.

2.4 MOTOTRBO Integrated Data

2.4.1 Overview

When performing in digital mode, any MOTOTRBO radio can be used as an integrated voice and data radio, where the radio can send voice as well as data messages on a given logical channel. This does not refer to data services like enabling users to surf the web, send video images, or synchronize their office desktops. This is not the right technology for such bandwidth-hungry applications. However, it is a great technology for productivity-enhancing applications like messaging, location based services, simple database queries, bar code reading, and fill-in-the-form type of applications. Additionally, it is built into the MOTOTRBO system, so there are no monthly fees or dependencies on public carrier services, and customers control what applications their users can access.

The MOTOTRBO system provides reliable data communications throughout the same areas where the system provides readily usable voice communications. However, there is a trade-off between the desired RF coverage area for data and the data throughput of the system. Extending the range of a system's operation requires more data message retries to successfully complete confirmed transactions, thus lowering throughput.

Integrating voice and data on the same channel brings several benefits. These include:

- Use of one RF channel for both voice and data.
- Use of one system infrastructure for both voice and data.
- Use of one subscriber to send and retrieve both voice and data messages over-the-air.

Integrating voice and data on the same channel also brings several considerations. These include the following:

- Traffic loading
- Customer application requirements
- Contention of voice and data.

“System Design Considerations” on page 241 of this document provides practical guidance on the above considerations.

MOTOTRBO supports data services in a number of ways.

- MOTOTRBO allows radios to send “unit-to-unit” and “unit-to-group” data packets. It supports confirmed and unconfirmed delivery of a data packet. The table below shows the confirmed and unconfirmed mode for all the software versions.

Call Type/ Release	R01.01.00 – R01.03.00	R01.04.00	R01.05.00 – R01.06.00
Unit-to-Unit	Confirmed	Confirmed	CPS selectable for a personality. Confirmed (by default)
		Exception: In IP Site Connect, location data is always sent unconfirmed.	
Unit-to-Group	Unconfirmed		

NOTE: If some of the radios are still running on older software versions like R01.00.00 or R01.01.00, then the radios must select the unit-to-unit data as confirmed mode.

- MOTOTRBO also enables infrastructure and/or PC based applications by supporting Internet Protocol (IP) addressing and IP packet data services. Rather than relying upon external modems, MOTOTRBO radios can connect directly to computer equipment with standard USB interfaces. This simplifies and lowers the cost of integrating with applications, and at the same time expands the universe of potential applications that organizations can deploy. Depending upon availability in your region, Motorola offers two PC based MOTOTRBO applications.
- MOTOTRBO supports a Third Party Application Partner Program. This program includes a complete application developer’s kit that fully describes interfaces for IP data services, command and control of the radio, and for option boards that can be installed in the radio.

For some infrastructure based data applications, the radio must first complete a registration process before data messages can be exchanged between the radio and the infrastructure based application. Registration has no impact on voice operation, aside from utilizing the same channel. Polite voice calls will have to wait until an in-progress registration completes before it can use the channel, while impolite voice calls can transmit on top of a registration transmission. A radio does not have to register for voice services. A radio registers when the radio powers up in a data capable mode, or changes into a data capable mode. A radio registers with a Presence Notifier, which is incorporated within the third-party applications. The Presence Notifier informs the data application servers that the registered radio is “on the system” and available for services.

In MOTOTRBO systems, the codeplug configuration determines whether or not a radio attempts to register on the selected channel. This is defined via the ARS parameter which is enabled or disabled through the settings within each channel. It must be set to *enabled* for those channels that are utilized for data communications with infrastructure based applications.

2.4.2 Text Messaging Services

Multiple MOTOTRBO system components interact together to deliver text messaging services. These include the built-in text messaging capabilities of MOTOTRBO subscriber radios and the

third party text messaging applications. The services provided by each of these components are described in the following subsections.

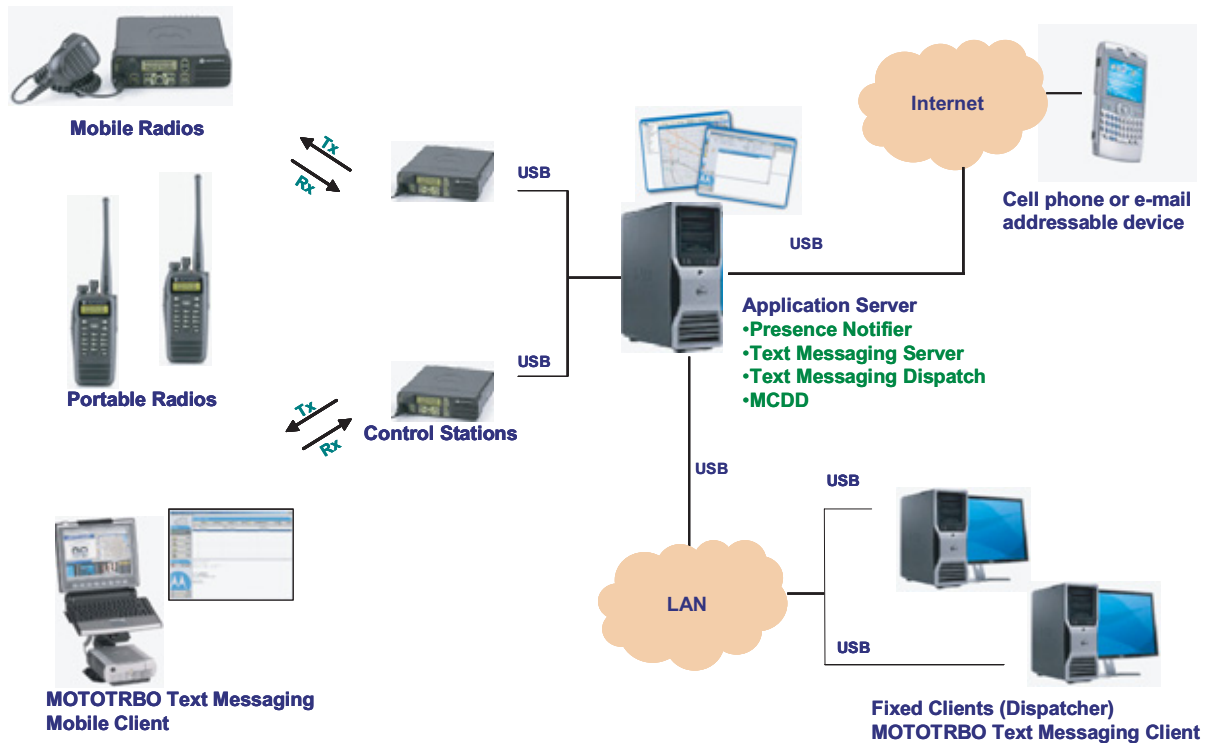


Figure 2-8 Text Messaging Services

Figure 2-8 shows a sample MOTOTRBO Text Messaging system configuration. See “System Components and Topologies” on page 165 for more details on setting up your MOTOTRBO system.

2.4.2.1 Built-In Text Messaging Service

The built-in text messaging feature allows MOTOTRBO portable and mobile radio users to send and receive information in a text format. This feature provides a useful alternative to voice on the MOTOTRBO system. The built-in text message service is fully accessed from the menu system on MOTOTRBO radio models with keypads and displays. Some aspects of this service are also available to non-display models.

2.4.2.1.1 Services Provided to a Radio User

Using the built-in text messaging services, a radio user can create, send, receive, store and display a text message. The following capabilities are included:

- A radio user can create a text message in one of two ways: Quick text or limited free-form text messages. Quick text messages are pre-defined using CPS. This allows a user to choose from commonly sent messages without having to retype the content. Once selected, the user is allowed to edit any part of the Quick text message prior to sending. The CPS allows you to define 10 Quick Text messages.
- A radio user can select to send a text message to other radios. Messages can be sent to an individual or to a group. When a message is sent to an individual, the sender receives an acknowledgement once the recipient receives the message. If all delivery retry attempts were exhausted, a failure indication will be generated. With messages addressed to a group, the sender only receives confirmation that the message was transmitted and does not receive confirmation from any of the intended recipients.
- When receiving a text message, the user is notified of a new message by an icon, display string, and an audible tone if enabled in the codeplug via the CPS.
- Messages are received only if the radio is currently in digital mode of operation. A radio user should enter Scan mode to receive messages if multiple channels are being utilized. System planning considerations associated with data and scan are discussed in "System Design Considerations" on page 241 of this document.
- A user can store up to 30 received or sent text messages at a time. The user is notified once the Inbox and sent folder storage becomes full. Once full, subsequent new messages automatically cause the oldest messages to be deleted. Messages are not deleted when the radio is turned off.
- A user can store up to 30 draft text messages in the Drafts folder at a time. Once full, subsequent new drafts automatically cause the oldest draft(s) to be deleted. A user can opt to Send, Edit, or Delete the drafts in the Drafts folder. The user can opt to Save a text message that is being written or edited to the Drafts folder. If a high priority event causes the radio to exit the text message editing screen, the current text message is automatically saved into the Drafts folder. A draft that is sent is deleted from the Drafts folder and stored to the Sent folder.
- The user can scroll through messages and select any message to read, reply to, forward, save or delete.

2.4.2.2 Services Provided to a Third-Party Text Message Application

Motorola provides an Application Development Kit (ADK) which documents how a text message application interfaces with the text message protocol used for MOTOTRBO. A list of available ADKs is available on page 162 of this manual.

2.4.2.3 Predictive Text Entry

Predictive text entry is now available for text messaging in MOTOTRBO software version R02.10.00. Previous releases supported the multi-tap input method whereby the user repeatedly presses the same key to cycle through the letters for that key. For example, to type the word "the" using multi-tap method, the radio user presses the buttons "8-tuv", "4-ghi" twice, and "3-def" twice. However, with predictive text, each key press results in a prediction, therefore they only have to press "8-tuv", "4-ghi", and "3-def", which generates "the".

Predictive text may take some time to master for some radio users. Therefore, there is an option to return to the multi-tap input method when necessary. Although once mastered, predictive text entry can lower the number of overall keystrokes utilized when typing a text message, making text messaging quicker and easier.

Predictive text also provides additional functions:

- **Smart Punctuation** – For alphabetic languages, the radio includes punctuation intelligently based on the input key. For example, after the radio user presses “2-abc”, “2-abc”, “6-mno”, “1 -,.” and “8-tuv”, the word “can’t” is predicted.
- **Word Prediction** – The radio can learn the common word sequences the radio user uses often. This function predicts the next word after the user enters the first word of the sequence that is frequently used. This can be enabled or disabled via the utilities menu.
- **Sentence Capitalization** – The radio can automatically capitalize the first word of a sentence for alphabetic languages. This function can be enabled or disabled via the utilities menu.
- **Word Correction** – The radio can supply alternative choices when the input word is not recognized by the radio dictionary. For example, if the radio user incorrectly types “thsi”, the radio autocorrects to “this”. This function can be enabled or disabled via the utilities menu.
- **Auto Accenting** – Mostly used with non-English words, the radio automatically adds an accent to words such as “café”.
- **User Defined Words** – A radio user can add words that are not in the standard dictionary, such as names, e-mail addresses, and instant messaging IDs.

NOTE: Predictive text is only supported in color display models – the 5-line full keypad portables and the 4-line alphanumeric mobiles in software version R02.10.00 or later. Mobiles require a four-way navigation microphone with keypad.

The following input methods are supported on the 5-line full keypad portables in software version R02.10.00 or later:

- Roman Keypad (English, Spanish, Portuguese, French, Italian, German, Polish, Turkish and Chinese PinYin)
- Simplified Chinese Keypad (PinYin, Stroke)

- Traditional Chinese Keypad (ZhuYin)
- Korean Keypad (Korean)
- Cyrillic Keypad (Russian)

The following input methods are supported on the 4-line alphanumeric mobiles in software version R02.10.00 or later:

- Roman Keypad (English, Spanish, Portuguese, French, Italian, German, Polish, Turkish and Chinese PinYin)

2.4.3 Location Services

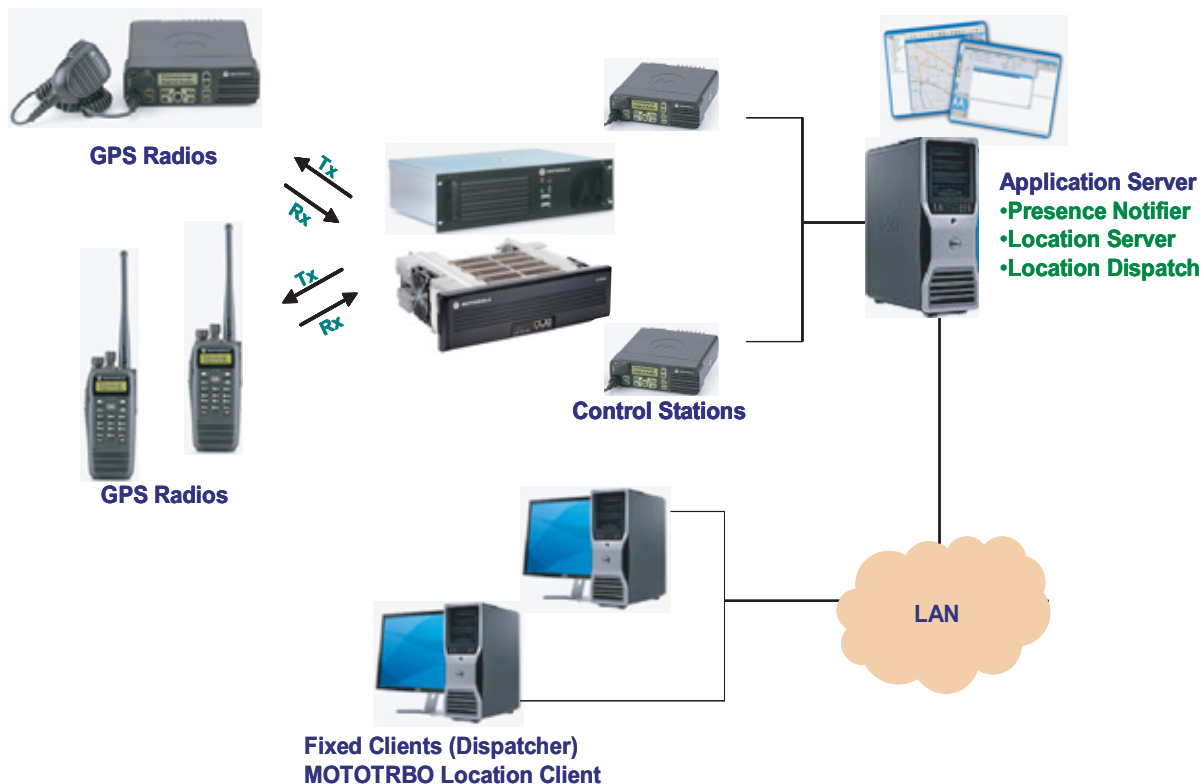


Figure 2-9 Location Services

The MOTOTRBO location feature allows a dispatcher to determine the current location of a radio on a display map. The dispatcher can obtain the radio's location alone (latitude/longitude) or the location combined with other information about the environment (horizontal speed, direction, etc.) that allows value-added services, such as tracking of resources.

MOTOTRBO systems enable location services via two complementary functions. First, the MOTOTRBO mobile and portable radio portfolio includes models that are equipped with a built-in GPS receiver. The acquisition of location data is done by a GPS receiver inside the radio and is dependent on the GPS receiver receiving accurate signals from the earth-orbiting Global Positioning System (GPS) satellites. However, the GPS receiver may not work well indoors or in environments where the sky is largely obscured. Using the integrated data services capability of the MOTOTRBO system, GPS equipped mobiles and portables are able to transmit their location coordinates, over the radio system, to a receiving application that displays the radios' geographic

locations on a high resolution map. This third party receiving application is the second part of the system.

MOTOTRBO provides a location interface to third party location services applications. For more information regarding third-party applications, please see “Third Party Application Partner Program” on page 156.

2.4.3.1 Performance Specifications

GPS Transmitter	Portable	Mobile
TTFF (Time to First Fix) Cold Start	< 2 minutes	< 1 minute
TTFF (Time to First Fix) Hot Start	< 10 seconds	
Horizontal Accuracy	< 10 meters	

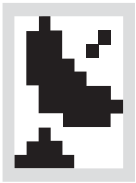
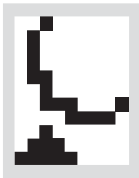
Note: Accuracy specifications are for long-term tracking (95th percentile values > 5 satellites visible at a nominal -130 dBm signal strength).

The definitions for some of the terms stated in the table above are as below:

- **Cold start** – A cold start scenario occurs when the radio is first powered up, and the GPS receiver is attempting to acquire its first position lock. In this scenario, the GPS receiver only has a valid almanac stored; it does not have any valid satellite ephemeris data nor valid real-time clock synchronization. Almanac data is stored in a non-volatile (persistent) memory, and is valid for approximately one year. The GPS receiver regularly updates the almanac data; therefore it will always be valid unless the radio is powered off for more than one year. The almanac data provides a mapping of the GPS satellites' position in the sky in relation to a real-time clock.
- **Hot start** – A hot start scenario occurs when the GPS receiver attempts to acquire a new location fix after a previous fix had occurred recently. In this scenario, the GPS receiver has valid satellite ephemeris data, a valid almanac, and valid real-time clock synchronization.
- **TTFF** – Time to First Fix indicates the time the GPS receiver takes to determine its first or subsequent position lock. This is determined largely by the time taken to download a full satellite ephemeris or satellite orientation packet with a data rate of 50 bits per second (bps), as well as, how long it takes for the GPS receiver to reach the relevant satellite in its Scan List. In a cold start, the Scan List includes all of the 24 orbiting satellites. The GPS receiver samples each satellite for a certain amount of time to determine if it is visible or not before moving to the next satellite. The receiver continues to do this until it detects a certain number of visible satellites and can determine an approximate location, thus helping the receiver to truncate the Scan List. In a hot start, the receiver already has most, if not all, the data needed to calculate its position. Therefore, no scanning is needed and minimal downloading is necessary to calculate position, resulting in a lower time to acquire a positional fix.
- **Horizontal Accuracy** – Horizontal Accuracy indicates a radius length from the reported point location. The latitude and longitude reported is equivalent to a point in the center of a circle, with the horizontal accuracy value as the radius of the circle. The true position should be within this location range.

2.4.3.2 Services Provided to a Radio User

When the location service is disabled, the radio does not provide any location updates to a location application server. An icon is displayed on the radio if the location service is enabled. The absence of this icon indicates that the location service is disabled. The icon shows a full satellite dish when good GPS signals are detected and an empty satellite dish when the radio is receiving poor GPS signals.

Good Signal	Poor Signal	Disabled
		<i>no icon</i>

The radio does not display its current location on its screen. With the exception of pressing the Emergency button, a radio user cannot trigger a location update to a location application server. In general, the radio user does not have to take any action in this process; the radio transmits the location coordinates automatically over the system.

2.4.3.3 Services Provided to a Location Application

For all the services, a third party location application server is required to send an explicit request to the radio. A radio does not provide unsolicited location update to a location application server. When the radio turns on and/or selects a properly configured channel (i.e. the previously mentioned "ARS Parameter"), the radio registers with the presence service. The location application thus learns that this radio is on the air, and will make an explicit request for location updates if it is configured to track the location of the radio.

The GPS equipped radios transmit an update of their location coordinates over the radio system in response to 3 service methods.

- Single Location Update – The location application server wants to know the current location of a radio user. In this case, the application sends a request for a single location update.
- Periodic Location Updates – Single location update is used to track the location of a radio user by a location application server, but is an inefficient use of air interface. Location tracking allows a location application server to periodically get the location of a radio user by sending a single location request that contains the time interval between updates. The radio continues to update its location periodically at the specified time interval until the request is cancelled by the location application server. The location tracking application can configure the radio to provide updates as frequently as once every 10 seconds. The default value is once every 10 minutes. The rate of update is configurable in increments of 1 second and must be matched with the resource capabilities of the radio system and the needs of the end-user. This is discussed further in "System Design Considerations" on page 241.
- On Emergency – A radio will send its location after the user triggers an emergency alarm or an emergency alarm and call request. The location update is sent only to the

location application server which had previously sent an active location request for location updates from that radio upon an emergency event. This location update is sent by the radio only after the processing of emergency is completed. For example, for Emergency Alarm with Call, the location data is only sent after the emergency alarm is acknowledged and the initial Emergency Call is completed. This happens because the location data is sent as a data burst which has lower priority than the voice call.

2.4.3.4 Services Provided by the MOTOTRBO Location Services Application

The MOTOTRBO Location Services application consists of a server called MotoLocator and a set of clients called Location Clients. The MotoLocator server requests, receives, and stores the location data of the radios. The Location Clients get the location data from the MotoLocator server and display the radios' locations on a map.

The services offered by the MotoLocator are as follows:

- Tracked radio management: MotoLocator provides a way to edit (insert and delete) the list of the radios that it is currently tracking. It also allows modifying the attributes of those radios (e.g. a unique identifier and the name of the radio) and the parameters associated with the tracking of a radio (e.g. elapsed time or distance after which the location is sent by the radio, and content of the location data).
- Storage of Location Data.
- Viewing of Location Data: MotoLocator provides a user interface to view the current or historical location data of a radio.
- Radio Group Management: This service allows grouping of a set of radios, so that they can be tracked together.
- Resource Management.
- Dispatcher Capability Management: This service allows configuring the radio groups that a dispatcher can track.

The services offered by a Location Client are as follows:

- Display location on a map of targeted radio/group/resource including polling and historical data.
- **Map Operations:** This feature allows zooming, panning, and scrolling of the map on display. It also allows adding and editing the point of interests, and selecting the layers of the map for display.
- **Map Data Setup:** This feature allows changing the setting of a map by allowing selection of the layers of the map, allowing geocoding, and customization of the search.
- **Searching:** This feature allows searching the map based on the address or common place (e.g. hospital, or school), or point of interest.
- **Routing:** This feature allows finding the shortest path between two points on a map.
- **Geofencing:** This feature allows the defining of multiple boundaries. A notice is provided, and a tone is heard when a resource enters or leaves any defined boundary. The notice indicates the device that has crossed the boundary, the boundary name (if the radio has more than one active boundary), and also if the device has entered or left the boundary.
- **Text Messaging:** A Location Client integrates with MOTOTRBO Text Messaging Client for sending and receiving text messages to/from other resources.

2.4.3.5 GPS Revert Channel

The GPS Revert Channel feature allows system operators a configurable option to off load radio transmitted location updates onto a programmed digital channel that differs from the digital Selected Channel. This feature effectively removes Location Update traffic from the Selected Channel in order to free up that channel to accommodate increased voice loads and/or to enhance the user experience by reducing the number of channel busies during voice call requests. This feature also allows a large group to communicate on a single voice channel while sending location updates on multiple GPS Revert Channels to accommodate larger Location Update loads. This increases the Location Update throughput associated with radios belonging to a single group.

Each channel programmed into the radio has a configurable CPS option to designate the GPS transmission channel on which it transmits Location Update messages. The CPS options for the GPS transmission channel are *Selected*, *All*, and *None*. Choosing *Selected* means that the GPS updates are transmitted on the current channel. In the case of *All*, a single channel must be chosen from the list of all channels. This chosen channel is known as the GPS Revert Channel and this is where GPS updates are transmitted on. It is understood that there may be instances when the radio is known to be out of range of any control station accepting location updates. In order to extend battery life, minimize time away from the Selected Channel, and/or to efficiently use frequency resources in these situations, the radio can also be configured to disable the transmission of Location Update messages on a per channel basis by using the selection *None*. It should be noted that a radio will be shown as present to the dispatcher when a radio is switched from a GPS enabled channel to a GPS disabled channel until the presence indication duration is exceeded.

To configure the radio to support location updates, there are a few parameters that must be managed correctly. How these parameters interact to dictate the radio's performance is shown in the table that follows. These parameters are the radio wide GPS setting that resides in the General Settings CPS folder, and the ARS and GPS Revert settings that are present for each channel defined in CPS. In this case the channel being defined is titled "Channel1". Also, in the case where a GPS Revert Channel (GPS1) is selected, this requires that GPS1 has already been defined as a channel in CPS.

General Settings: GPS	Channels: Zone1 Channel1 ARS	Channels: Zone1 Channel1 GPS Revert	Result
Not Enabled	Not Enabled	Not Selectable	GPS Chip: Disabled Presence: Disabled Location: Disabled
Not Enabled	Enabled	Not Selectable	GPS Chip: Disabled Presence: Enabled Location: Disabled
Enabled	Not Enabled	Not Selectable	GPS Chip: Enabled Presence: Disabled Location: Disabled

General Settings: GPS	Channels: Zone1 Channel1 ARS	Channels: Zone1 Channel1 GPS Revert	Result
Enabled	Enabled	None	GPS Chip: Enabled Presence: Enabled Location: Disabled
Enabled	Enabled	<i>Selected</i> (Channel1)	GPS Chip: Enabled Presence: Enabled Location: TX on Channel1
		GPS1	GPS Chip: Enabled Presence: Enabled Location: TX on GPS1

Note: Not Selectable means the setting cannot be configured as the option is grayed out.

2.4.3.6 Enhanced GPS Revert Channel

The Enhanced GPS Revert channel is an enhancement of the GPS Revert channel functionality that supports higher throughput and increased reliability. Similar to the former feature, a subscriber offloads location responses routed to a server, to a revert channel. The primary difference lies in the method a subscriber accesses the channel. In the GPS Revert channel feature, subscribers access a channel in a desynchronized manner and may therefore cause transmission collisions. The probability of collision increases with the number of transmissions made over the channel and collisions adversely affect the reliability of transmissions.

This enhanced feature enables subscribers to access a channel in a synchronized manner, which eliminates collisions and allows them to use the channel efficiently. The synchronization between subscribers is achieved by a repeater that divides a logical channel into groups of contiguous bursts defined as “windows”. This allows subscribers to make reservations for these windows in which GPS data can be transmitted. This is a slot wide configuration. The windowed data structure consists of an eight minute data superframe. Within the eight minute data superframe, there are 16 data frames, each 30-second in duration. This data superframe is repeated over and over again. Both the data frame and superframe always have the same size for every windowed GPS Revert channel.

Within a 30-second data frame, there are windows that can be reserved by subscribers for GPS data transmission. The number of windows within a 30-second data frame depends on the size of each window. A window consists of an announcement slot in the beginning followed by bursts of GPS data. The diagram below illustrates the windowed data structure for a window size of six (one announcement + five bursts of GPS data).

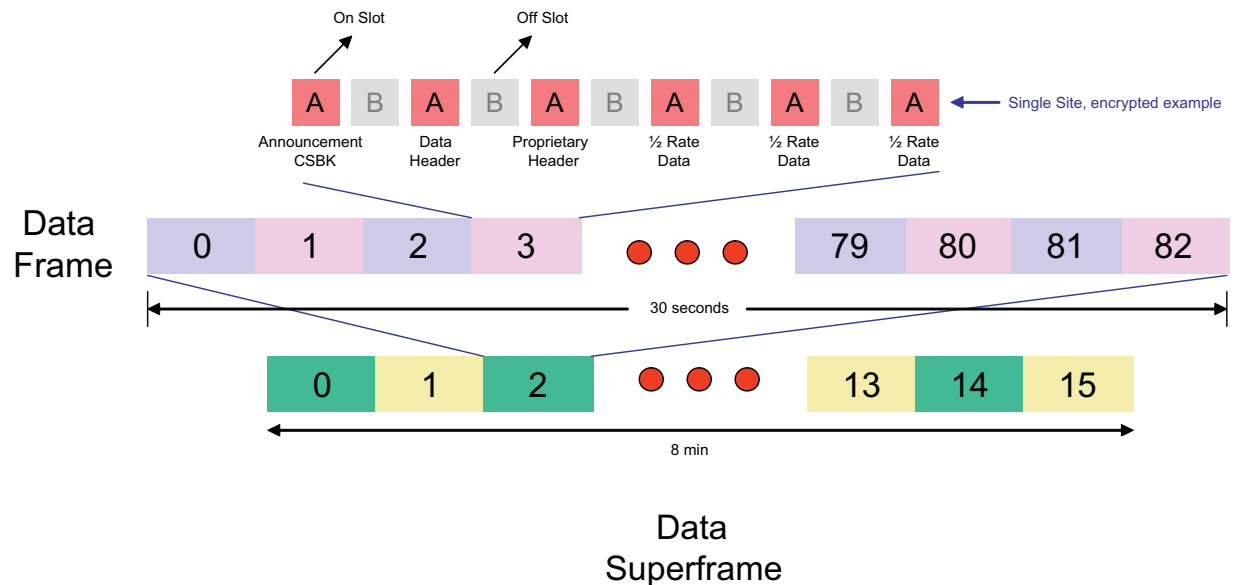


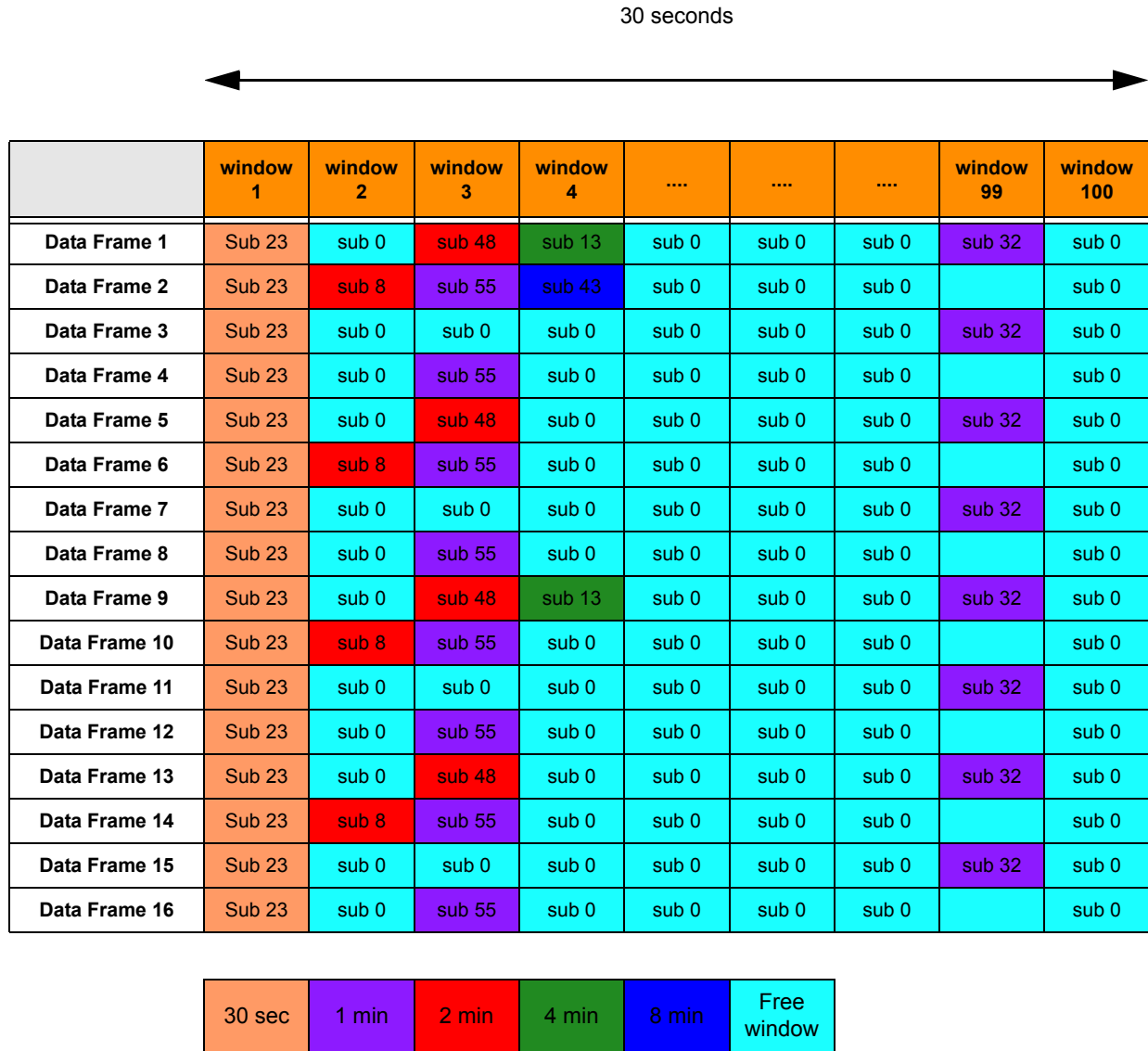
Figure 2-10 Windowed Data Structure for a Window Size of Six

The window size is dependent on the amount of GPS data to be sent, the privacy mode and header compression usage. Based on window size, the number of windows in a 30-second data frame is shown in the following table:

Window Size (Includes Announcement Burst)	Number of Windows (in a 30-second data frame)
5	100
6	83
7	71
8	62
9	55
10	50

A repeater's slot that is configured with "Enhanced GPS" maintains allocations of all the windows. At the beginning of every window, the repeater sends an announcement containing the current window number, data frame and the ID of the subscriber for the next reserved window. The

diagram below shows the scheduling of different subscribers in a window map for a given data superframe.



This windowed data structure with an 8-minute data superframe and a 30-second data frame allows this enhanced feature to support update rates of 0.5, 1, 2, 4 and 8 minutes in addition to one-time updates.

Before sending a location response, a subscriber requests a window for reservation (for one-time location response) from the repeater, or a set of periodic windows for periodic location responses. The repeater allocates window(s) (if available) and informs the subscriber in a grant message. The subscriber stores the window timing, reverts to the Enhanced GPS Revert channel before the allocated window arrives, and verifies its reservation by listening to a confirmation grant from repeater. The subscriber then sends its location response in the reserved window. Since subscribers only send their location response in their reserved windows, collisions will not happen here. Hence, this methodology promotes the following benefits:

- Support for up to 360 location responses per minute per repeater using both slots, while running at 90% capacity, and decrease in the number of channels and associated hardware needed for GPS data transmission.
- Increased GPS reliability due to the drastic reduction of collision among subscribers sending GPS data. For more details on reliability based on voice loading on primary channel, refer to 4.4.6.6 “Enhanced GPS Revert – Loading & Reliability”.
- More control over system throughput, by allowing users to choose the most appropriate window size, based on the location response characteristics needed.

This feature is supported in repeater mode only and works in single-site, IP Site Connect, Capacity Plus and Linked Capacity Plus modes of operation. Only GPS data (unconfirmed only) is supported on the Enhanced GPS Revert channel in conventional mode (both single-site and IPSC). In Capacity Plus and Linked Capacity Plus modes, ARS Registration Message is also supported on the Enhanced GPS Revert channel. There is no support for voice or other non-GPS data on the Enhanced GPS Revert channel. Data from option board interface is also not supported over an Enhanced GPS Revert channel.

A window size ranges from 5 to 10. The size depends on the following factors:

- The parameters that the application has requested in a location response, such as longitude, latitude, time, altitude, velocity, direction, and so on.
- Whether IP/UDP headers compression is enabled.

The table below shows the calculation for the window size with enhanced privacy enabled.

Requested Element	LRRP Response Size (bytes)
Latitude + Longitude	11
Time	6
Request ID **	3
Speed_hor *	3
Direction_hor	2
Altitude *	3
Radius *	2

* *Variable sized fields*

** *Assume that Request ID value is smaller than 256.*

The following calculations assume GPS data is unconfirmed and “Compressed UDP Data Header” is selected in the CPS.

For No Privacy.

$$WindowSize = ((LRRPResponseSize + 1) \div 12) + 3$$

For Enhanced Privacy.

$$WindowSize = ((LRRPResponseSize + 1) \div 12) + 4$$

If a subscriber is out of range or its battery is dead, it will not send GPS data during its reserved windows, so the repeater also has a mechanism to free up the windows reserved for that subscriber. The repeater waits for a certain period of time before releasing the windows and this time is dependent on the cadence rate of the subscriber's location request. The table below summarizes the amount of time the repeater waits before de-allocating windows for a subscriber.

Update Rate	Wait Time Before De-allocation (<i>minutes</i>)
30 seconds	5
1 minute	5
2 minutes	10
4 minutes	20
8 minutes	30

In a subscriber, it is highly recommended to keep the Enhanced GPS Revert channel in the "Channel Pool" in the CPS. This prevents the user from accessing the Enhanced GPS Revert channel that may affect GPS reliability. A channel can be configured as an Enhanced GPS Revert channel by selecting the field "Enhanced GPS" in the channel settings. In order to send responses to the Enhanced GPS Revert channel, the GPS revert channel setting of the home channel has to be set to "Enhanced".

In a multisite system with roaming enabled, all sites are recommended to use the same setting and window size as an Enhanced GPS Revert channel. This can be configured through the Enhanced GPS Revert channel of the Home channel.

In a repeater, the CPS allows either one or both slots to be configured as Enhanced GPS. The window size in the repeater's Enhanced GPS slot should match the window size in the subscribers. One slot can be configured for regular Data Revert and the other slot can be configured for Enhanced GPS Revert. The repeater CPS also allows a user to choose the maximum percentage of windows that will be used for periodic updates. The possible values are 90%, 75%, 60%, and 45%. The rest of the windows are used for one-time updates and also empty out queued data. When a subscriber is participating in a voice call, chances are it may miss its windows. This will lead to windows getting queued up in the subscriber. When this happens, the subscriber can make one time requests to ask for additional windows to empty out its queue.

In a situation whereby a system has heavy voice loading, the subscriber may start to miss their reserved windows quite frequently. Hence, in such a scenario it is advised to run the system at 60% or 45% capacity so the rest of the windows can be used to clear up the queued data. For more details on system reliability based on voice call loading, refer to 4.4.6.6 "Enhanced GPS Revert – Loading & Reliability".

In an IP Site Connect system or a Linked Capacity Plus system where a revert channel is a wide area channel, only one repeater's slot needs to be selected with periodic window reservation (90%, 75%, 60%, and 45%). For all the other peers, this value should be set to "None".

For all modes, it is not recommended to have any non-GPS data on the GPS Revert channel. The only exception is Capacity Plus and Linked Capacity Plus modes where ARS data is also supported on the GPS Revert channel. The system throughput is dependent on the window size selected for the system and the percentage of windows reserved for periodic updates. The table below summarizes system throughput:

Window Size	Number of Updates per Minute per Slot			
	90%	75%	60%	45%
5	180	150	120	90
6	150	125	100	75
7	128	107	86	64
8	112	93	75	56
9	100	83	66	50
10	90	75	60	45

NOTE: These numbers are based on good signal conditions. The actual throughput and reliability may vary with RF conditions and voice call loading. For more details on loading-reliability relationship, see 4.4.6.6 “Enhanced GPS Revert – Loading & Reliability”.

The Enhanced GPS feature can be configured in the following manner in:

1. Conventional single-site and IPSC modes:
 - 1.1. One slot for voice, one slot for Enhanced GPS Revert
 - 1.2. One slot for GPS Revert, one slot for Enhanced GPS Revert
 - 1.3. Both slots for Enhanced GPS Revert
2. Capacity Plus and Linked Capacity Plus modes:
 - 2.4. One slot of data revert repeater for GPS/ARS, one slot for all other data
 - 2.5. Both slots for Enhanced GPS Revert

More details in Sections 3.2.3.1.5.1 “Single Site Conventional”, 3.2.3.1.5.2 “IP Site Connect Mode” and 3.2.3.1.5.3 “Capacity Plus Mode”.

2.4.3.6.1 ARS Initialization Delay

Upon power on, subscribers normally register with the Presence Notifier by sending ARS messages immediately. In a scenario where a user has a system with many subscribers powering on within a short time, there can be many collisions between ARS registration messages. To reduce collisions, a user can configure the maximum value of an initial random delay for ARS registration via the CPS. This field is called “ARS Initialization Delay” and has a range of 0 minutes to 4 hours with a default value of 0 minutes.

A value of “0 minutes” defines that the ARS registration message will be sent out between 5 seconds and 15 seconds and this feature is essentially not delayed (5 seconds to 15 seconds was the existing delay in ARS registration prior to R01.07.00). If a user selects a value of “30 minutes”, then the subscriber randomly chooses a time between 5 seconds and 30 minutes and sends the

ARS when this random time elapses. This randomization of time between different subscribers sending the ARS reduce ARS collisions at power on.

When to use:

- This feature can be used with Enhanced GPS to avoid collisions among large number of subscribers sending ARS messages in a short period of time. However, the user must enable “Persistent LRRP Request” in the CPS to ensure that GPS data is still sent even if ARS is delayed.
- This feature can be used in any scenario where large number of subscribers power on, in a short period of time and delay in ARS registration message is permitted.

When not to use:

- This feature should not be used in situations where ARS registration message is immediately needed. For example; text messaging from server to subscriber may not work properly if this feature is enabled.

The table below summarizes the recommended ARS initialization delay value when ARS is sent on the Enhanced GPS channels in trunked systems (Capacity Plus and Linked Capacity Plus modes). The value varies with the window size and periodic loading percentage for the system.

Total Number of Radios Sending ARS based on ARS Initial Delay Value									
Window Size	Periodic Loading (%)	30 mins	60 mins	90 mins	120 mins	150 mins	180 mins	210 mins	240 mins
5	90	60	120	180	240	300	360	420	480
	75	150	300	450	600	750	900	1050	1200
	60	240	480	720	960	1200	1440	1680	1920
	45	330	660	990	1320	1650	1980	2310	2640
6	90	48	96	144	192	240	288	336	384
	75	123	246	369	492	615	738	861	984
	60	198	396	594	792	990	1188	1386	1584
	45	273	546	819	1092	1365	1638	1911	2184
7	90	42	84	126	168	210	252	294	336
	75	105	210	315	420	525	630	735	840
	60	168	336	504	672	840	1008	1176	1344
	45	234	468	702	936	1170	1404	1638	1872
8	90	36	72	108	144	180	216	252	288
	75	93	186	279	372	465	558	651	744
	60	150	300	450	600	750	900	1050	1200
	45	204	408	612	816	1020	1224	1428	1632

Total Number of Radios Sending ARS based on ARS Initial Delay Value									
Window Size	Periodic Loading (%)	30 mins	60 mins	90 mins	120 mins	150 mins	180 mins	210 mins	240 mins
9	90	33	66	99	132	165	198	231	264
	75	81	162	243	324	405	486	567	648
	60	132	264	396	528	660	792	924	1056
	45	183	366	549	732	915	1098	1281	1464
10	90	30	60	90	120	150	180	210	240
	75	75	150	225	300	375	450	525	600
	60	120	240	360	480	600	720	840	960
	45	165	330	495	660	825	990	1155	1320

In conventional mode, when ARS is sent on the Home channel, the table below can be used as a guideline to choose the delay values based on voice call loading and the number of subscribers in the system.

Number of Radios Sending ARS Based on ARS Initial Delay Value								
	30 mins	60 mins	90 mins	120 mins	150 mins	180 mins	210 mins	240 mins
No Voice	300	600	900	1200	1500	1800	2100	2400
Low Voice **	51	102	153	204	255	306	357	408
High Voice **	24	48	72	96	120	144	168	192

** Refer to 4.4.2 "Voice and Data Traffic Profile" for the definitions of "High Voice", and "Low Voice".

2.4.3.7 Data Revert Channel

A Capacity Plus system extends the "GPS Revert Channel" feature to the "Data Revert Channel" feature. This feature is available only in Capacity Plus and Linked Capacity Plus modes as a configurable option. The Data Revert Channel feature allows system operators to offload all data messages from radios to a Server (e.g. registration messages, location responses, text messages to the Server, and their over-the-air acknowledgements, etc.) onto programmed digital channels (called Data Revert Channels). Data messages (including their over-the-air acknowledgements) from radio-to-radio and from the Application Server to radios are always sent over the Trunked Channels.

The Data Revert Channel feature is optional. In the absence of this feature, data messages are sent over the Trunked Channels. This feature should be used when there is a need to reduce data traffic from the Trunked Channels. Data Revert Channels will free up the Trunked Channels and the Trunked Channels can accommodate increased voice loads. This also enhances the user experience by reducing the number of busy channels during voice calls.

Data Revert Channels are exclusively used by the system for transporting data packets. They are not used for voice communication. As Data Revert Channels offload most of the data communication from the Trunked Channels, they facilitate more voice communication over these channels. Data Revert Channels are especially useful for transporting location responses.

Each channel programmed into a radio has a configurable CPS option to designate the GPS transmission channel on which the radio transmits Location Update messages. The CPS options for the GPS transmission channel are *Trunked*, *Revert*, and *None*. Choosing *Trunked* means that the data messages to the Server are transmitted on the Rest Channel. In the case of *Revert*, data messages to the Server are transmitted over one of the revert channels that are programmed into the subscriber. There may be instances when the radio is known to be out of range of any control station accepting location updates. In order to extend battery life, minimize time away from the Rest Channel, and/or to efficiently use frequency resources in these situations, the radio can also be configured to disable the transmission of data messages on revert channels by using the selection *None*.

To configure a radio to support data messages, there are a few parameters that must be managed correctly. How these parameters interact to dictate the radio's performance is shown in the table in section 2.4.3.5 "GPS Revert Channel".

2.4.4 Telemetry Services

The MOTOTRBO radios incorporate telemetry functionality that is only supported in the digital mode of operation. Both the MOTOTRBO portable and mobile radio support General Purpose Input/Output (GPIO) lines on the radio accessory connector.

With this telemetry functionality, the originating radio can send a telemetry command to another radio. Sending the telemetry command can be triggered either by GPIO pins or a programmable button. In either case, the telemetry command can be sent out on the "normal traffic" channel (e.g. the selected channel for single site conventional systems). Alternatively, in firmware versions R01.08.00 and R01.08.10, if the telemetry command is triggered by a programmable button, the telemetry command can be sent out on a CPS configured telemetry channel that is selected from the "Channel Pool" or visible zone channels.

NOTE: When sending the telemetry command on the CPS configured telemetry channel (that is, not the "normal traffic channel"), neither preambles nor retries are used. To avoid missing the telemetry message, it is recommended for the receiving radio not to scan other channels, when listening on the telemetry receiving channel.

NOTE: Regardless of whether the home channel is analog or digital, when the **telemetry revert** functionality is initiated via predefined buttons, the radio leaves any ongoing call and initiates the telemetry command transmission on a digital revert channel.

Telemetry commands instruct GPIO pins on the target radio to be set, clear, toggle or pulse. The telemetry commands can also be used to query the status of GPIO pins at the target radio.

At the receiving end, the basic built-in telemetry functionality allows the target radio to translate the received telemetry command and to trigger GPIO action. It also enables the target radio to display a programmed Text Status Message or act on a telemetry command received from the originating radio responding to an event at the originating radio's GPIO pins. The Telemetry Text Status Message is provisioned in the source telemetry radio and is displayed as a popup alert at a target radio via the telemetry application. Since the Telemetry Text Status Message is not sent as a standard text message, it is not saved in the Inbox or indexed. Furthermore, its target can only be

another radio since it must be received and processed by the telemetry application within the radio.

It is possible for the message to be forwarded to an external computer connected to the radio, or the option board, where a customer supplied application could monitor and take an action. MOTOTRBO provides a telemetry interface for third-party telemetry applications. Further information is available in the Telemetry Services ADK listed under "MOTOTRBO Applications Interfaces" on page 156.

Telemetry over-the-air signaling utilizes the data service similar to the way that text messaging works. It can co-exist with voice and text messaging. If telemetry messages are expected to occur often, for example 30 radios sending telemetry once every 5 minutes, this may affect performance of other services on the channel. This should be taken into consideration when determining the data load versus quality of service of a channel.

2.4.4.1 Physical Connection Information

The MOTOTRBO portable offers three GPIO pins, and the MOTOTRBO mobile offers five GPIO pins for telemetry. These GPIO pins can be set to high or low, toggled, or pulsed for a configured duration. A pin can be configured to be active high or active low. It is recommended to use an AC-powered MOTOTRBO mobile for most extended telemetry applications. Motorola does not currently offer external hardware for telemetry configuration.

The GPIO lines have a 4.7k ohm pull-up resistor tied to a regulated 5 V_{DC} supply within the mobile radio. The regulated supply remains on as long as power is supplied to the mobile, even if the mobile is turned off so the pull-ups are active even when the radio is off.

When configured as input, the voltages of the GPIO lines should be within the range of 0 V_{DC} to 5.5 V_{DC}.

- 0 V_{DC} to 0.8 V_{DC} are interpreted as low level
- 2.2 V_{DC} to 5.5 V_{DC} are interpreted as high level

When configured as output, the GPIO will be able to source a current of 1mA maximum at the following levels:

- 4.7 V_{DC} to 5.5 V_{DC} for a high level
- 0 V_{DC} to 0.8 V_{DC} for a low level

2.4.4.2 Telemetry Examples

See section 3.2.1.1.2 and section 3.2.2.1.2 for diagrams and descriptions of the following simple telemetry examples in both direct and repeater mode.

- Send Telemetry Command from Radio to Another Radio to Toggle an Output Pin
- Send Telemetry Message from Radio to Another Radio when Input Pin State Changes
- Send Telemetry Command to Toggle an Output Pin from Radio to Another Radio when Input Pin State Changes

2.4.5 Data Precedence and Data Over Voice Interrupt

Data applications on the internal option board, or running on an attached PC, are able to request priority treatment of data messages, and Data Over Voice Interrupt independently. To facilitate this, the data application designates the precedence of each data message as being **Immediate**, **Priority**, or **Routine**. When the radio receives a data message for transmission from an internal option board or attached PC application, the radio determines the precedence requested for the data message, and processes the data message accordingly.

The use of the precedence designators can be summarized as such:

- **Immediate precedence** is used to place data near the top of the queue and request the Data Over Voice Interrupt feature.
- **Priority precedence** is used to place the data near the top of the queue without invoking the Data Over Voice Interrupt feature.
- **Routine precedence** is used to place the data at the bottom of the queue.

Immediate precedence is used to automatically clear the channel of voice calls by using the Data Over Voice Interrupt feature prior to beginning the data transmission. This capability departs from the typical behavior of a radio system, which normally gives priority to voice calls over pending data calls. The radio user whose transmission was interrupted receives a Talk Prohibit Tone until the user releases the PTT.

For the Data Over Voice Interrupt feature to operate consistently, all radios using the channel should be provisioned with the ability to be interrupted. If some radios are provisioned without the ability to be interrupted (e.g., normally desirable for a supervisor's radio), then those radios' transmissions cannot be interrupted, and the data message will be placed near the top of the data queue (behind any existing queues for Immediate precedence data messages). When Immediate precedence is designated and a data (or control) transmission occupies the channel, the radio must wait for the channel to become clear before initiating the data transmission.

Priority precedence is used to ensure that the data message is transmitted **before any Routine precedence data messages**, and **after any existing Immediate precedence data messages**. Priority precedence does not use the Data Over Voice Interrupt capability. When either Priority or Routine precedence is designated, the radio must wait for the channel to become clear before initiating the data transmission.

NOTE: The Data Precedence and Data Over Voice Interrupt features do not need to be configured in the radio or repeater via the CPS because these features are always available.

For more information on the Data Precedence and Data Over Voice Interrupt features, please refer to the MOTOTRBO Option Board ADK Development Guide on the MOTODEV Application Developers website.

<https://mototrbo.dev.motorolasolutions.com>

2.5 Scan

MOTOTRBO supports scanning of analog voice, digital voice, data, and digital signaling through a repeater or directly from another radio. MOTOTRBO radios scan channels or groups, or both. In Capacity Plus and Linked Capacity Plus modes, it scans the groups only.

When scanning channels, the radio continuously searches a list of channels for activity of interest. When activity of interest is found, the radio stops and switches to that channel. When finished, the radio continues scanning the channels in the list.

The set of channels to be scanned (or scan members) are determined by a configured Scan List. A radio can have multiple Scan Lists, and each channel in a radio can be associated with a different Scan List. Scan Lists can contain only analog channels, only digital channels, or a mixture of both analog and digital channels. Once Scan is started, the radio scans through each Scan member of the associated Scan List for the selected channel.

The CPS allows a user to create, edit, or delete Scan members in a Scan List, as well as associate a Scan List to a channel. The user can start or stop Scan, and also add or remove Scan members of a Scan List using the radio's interface. Changes to the Scan List made by the radio are persistent until the radio is turned off. Note that Scan and Roam are mutually exclusive on a channel within CPS.

When the radio is scanning, and it detects a digital Scan member in its Scan List, it looks for transmissions targeted towards the group(s) associated with that channel. The radio also looks for transmissions targeted towards itself (e.g. Private Calls or signaling commands). The radio can be configured such that replies that occur within a specified duration is transmitted to the same group and channel (this reply is called talkback). If the reply occurs outside of this duration, it is considered a new transmission.

There are also options for where new voice transmissions (outside of the previously mentioned duration) are transmitted while scanning. Voice can be configured to transmit on the selected channel (the channel from which Scan was started), another predetermined channel, or on the last landed channel for voice (the last channel that Scan "locked-on-to"). Data and digital signaling are always transmitted on the selected channel. The last landed channel is not updated for data and digital signaling.

Priority levels can also be configured for members of a Scan List. There are three levels of priority within a Scan List – Priority-1, Priority-2, and Non-Priority. The Priority-1 and Priority-2 channels are scanned more often than the Non-Priority Scan members. Priority Scan is available with any mix of analog, digital, talkaround or repeater channels.

The Scan List can be configured to have one Priority-1 member and one Priority-2 member; the remaining are considered Non-Priority. When scanning, these priorities affect the order of scanning. The following represents the scan order of Scan List: Priority-1, Non-Priority-1, Priority-2, Non-Priority-2, Priority-3, Non-Priority-3, etc. However, the radio may reorder Non-Priority scan members in order to optimize the efficiency of the scan.

In the CPS, there are two parameters associated with Scan Lists – Set/Clear Priority-1 and Set/Clear Priority-2. These are used to mark a Scan List member as Priority 1 and Priority 2; unmarked list members are "non priority".

While scanning, the radio can accept data (e.g., text message, location, telemetry, or terminal (PC) data). However this is only applicable if the data is received on its selected (home) channel.

NOTE: In MOTOTRBO radios with software versions **R01.04.00** or later, various enhancements were made to the scan engine to improve scanning performance. This has caused some features, such as scanning for Group Text Messaging and Emergency Alarms, to no longer be backward compatible with older software versions. All equipment must be upgraded for these features to perform correctly.

2.5.1 Priority Sampling

When scanning, if some activity of interest is found, the radio stops and switches to that channel. If the activity of interest is incoming data addressed to the scanning radio, an individual voice call, or it is on a Priority-1 scan member, scanning completely stops for the duration of the call. But if the activity is a voice Group Call on a Priority-2 or a Non-Priority scan member, the radio continues to periodically scan higher priority scan members.

For example, if the radio is receiving voice on a Non-Priority scan member, then the Priority-1 and Priority-2 scan members are scanned periodically. In this case, the order of scan will be: Priority-1, Priority-2, Priority-1, Priority-2, etc. If the radio is receiving voice on a Priority-2 scan member, then only the Priority-1 scan member is scanned periodically. If a transmission of interest is found on the higher priority member, the radio switches to that member to monitor the transmission. If it is not of interest, it returns to the previously monitored member. Priority Sampling does not occur when transmitting.

Because the radio is currently receiving voice, leaving the current scan member to scan a higher priority member will cause the radio to temporarily leave the current transmission. This causes an audio hole in received audio that is being played through the radio's speaker. Thus, the intervals during which the radio samples the higher priority members, essentially, becomes the audio holes that are introduced into the currently monitored voice. If there are two priority channels configured, this time is how often a sample is taken of either one. Therefore, one particular channel is sampled at a rate of double the priority sampling duration. A balance between how often an audio hole is introduced and how often a channel is sampled needs to be achieved to ensure that transmissions are not missed and to prevent introducing too many audio holes. This interval is CPS configurable via the "*Priority Sample Time*" interval parameter. Since the radio only samples at the rate of the *Priority Sample Time*, it is important to understand that if sampling for data, the Scan Preamble must be set to double the Priority Sample Time.

The user experiences few to no audio holes if he is currently unmuted to a lower priority voice while the priority member is in the other timeslot of the same repeater. In this situation, the radio uses the embedded signaling in the repeater to monitor activity in the other timeslot. This should be taken into consideration when deciding which identifiers are assigned to which channels and slots.

Not all identifiers are uniquely identified in the embedded signaling because they are compressed into smaller identifiers. If the system contains two or more identifiers that share the same compressed identifier, the radio incurs additional audio holes to validate the actual uncompressed identifier matches.

Duplicate compressed identifiers can be avoided if kept within a 256 ID range where the first ID of the range is an integer multiple of 256. For example if group and individual identifiers are kept between 0 and 255, or 256 and 511, or 512 and 767, etc., they will have unique compressed identifiers and no audio hole will be experienced while priority sampling the other timeslot.

Setting a busy channel as a priority channel can cause excessive audio holes in non-priority audio as the radio checks each new transmission on the priority channel to determine if it is call of interest. If the priority channel has many short transmissions that are not of interest, the radio will be forced to incur at least one audio hole for each. Therefore, it is recommended, that if possible, high priority transmissions should be isolated on channels that are not overly utilized by other traffic.

2.5.2 Channel Marking

In addition to configuring the sampling interval for Priority Sampling, MOTOTRBO offers a way to mitigate the duration of the audio hole itself with a feature called Channel Marking. Although relatively short, it does take time to determine if a transmission is of interest on a particular scan member. During this time, there is an audio hole in the scanned audio.

The Channel Marking feature introduces logic that assumes that if a transmission was recently identified as not of interest, there is no need to fully review it at every scan interval. Additionally, if the type of transmission is of the same type as the transmission identified as not of interest before, there is a high likelihood it is the same transmission. Therefore, the radio only needs to identify the type of transmission taking place, which is beneficial as identifying a transmission type takes much less time than fully identifying if a transmission is not of interest. This assumption is made for a pre-determined number of times, after which, the scan member is fully reviewed again. This method changes the experienced audio holes from long audio holes every priority scan interval to one long audio hole followed by numerous short audio holes, and then another long audio hole, and so on.

This feature can greatly increase audio quality while a radio is in priority sampling mode. The drawback to channel marking is the assumption that the target of a transmission has not changed. The scanning radio will not know if the target has changed until the next full inspection. The system should be configured in such a way using CPS parameters to achieve a balance which delivers improved audio quality without sacrificing too much flexibility to consistently locate new transmissions which otherwise would be of interest. It is recommended that Channel Marking is set as *Enabled* in most scenarios.

However, if there is an analog signal on a digital priority channel, the radio will incur a medium size audio hole on every sample even if channel marking is enabled. The radio spends this time searching for synchronization that is not present. It is recommended that the priority traffic be placed on a channel that has limited analog interference (i.e. shared use).

2.5.3 Scan Considerations

The ability to scan multiple channels is an advantage when a user must be aware of activity on numerous channels. MOTOTRBO offers the ability to scan a list of analog and digital channels (frequency and slot) within the same Scan List (often referred to as a Channel Scan List). This feature is incredibly useful when planning to migrate from analog to digital, or when a user must monitor multiple repeater frequencies and slots at the same time. When operating in digital, MOTOTRBO also provides the ability to scan multiple groups on a channel (slot). This is often referred to as a Group Scan.

A Group Scan is an optimized way to scan for multiple groups on the same channel (slot). The radio monitors the channel from either the repeater or directly from another radio to determine which group is currently transmitting. If the group transmitting is one specified in the Group Scan List, the radio will stop and listen. The radio is allowed to talkback to the group for the duration of the call hang time. This call hang time overrides the TX Contact Name setting of the channel. Because only one call takes place on a channel (slot) at any given time, the scanning radio will not miss a transmission of interest, regardless of the length of the group list. A Group Scan is configured by creating a group list and adding groups already in the Contacts folder. This group list can then be selected as the RX Group List of a particular Channel. The Group Scan does not have the advanced features and configuration options of a channel scan. For example, once configured via CPS, the Group Scan cannot be turned on or off and members cannot be added or removed. Furthermore, the configurable scan options (Scan Hang time Timer, Talkback, etc.) do not control the Group Scan. The Group Scan should be used in simple systems where no advanced scan options are required. If advanced scan options and features are required, a Channel Scan should be configured instead.

In Capacity Plus and Linked Capacity Plus modes, MOTOTRBO radios only support Group Scan.

- All idle radios can perform a Group Scan at the start of a call. A call always starts on the Rest Channel and all idle radios are on the Rest Channel.
- At the end of a call, the participating radios are informed about the ongoing calls, allowing them to perform a Group Scan.
- When a radio powers on or when it comes into coverage, it searches the channels and joins a call of interest (if any). If all the channels are busy, then a radio may not join an ongoing call of interest.

A Channel Scan will scan a list of different channels within a system – analog or digital. A Channel Scan is different from a Group Scan since the radio must change frequencies and sometimes even modulations (analog to digital) in order to scan for activity. Unlike a Group Scan where only one call occurs at any given time, when scanning different channels (analog or multiple digital slots), there can be calls taking place on any or all of the channels. Because the radio cannot be everywhere at once, there is a possibility that the radio will miss a transmission of interest. Because of this, it is recommended that the number of channels in a Channel Scan List is kept to a minimum. The larger the Scan List, the more likely a user will miss, or join late, a transmission of interest during busy times.

2.5.3.1 Scanning and Preamble

Since data and digital signaling messages are typically shorter in duration than voice transmissions, it can be difficult for a scanning radio to detect such messages. This is especially true as the number of Scan List members increases because the amount of time between a scanning radio's repeated visits to a particular Scan List member increases, making it less likely to be on the channel at the exact moment that the data or digital signaling message begins. Another factor is the amount of activity on each Scan List member; basically, the more active each Scan List member is, the more likely that the radio is suspending its scan operations to receive on each of those Scan List members, further increasing the likelihood that the radio will not receive the data or digital signaling on another Scan List member. To improve the likelihood of receiving data and digital signaling messages, the duration of these message types can be extended by preceding the message with special preamble signaling. The amount of preamble signaling to use can be configured into the initiating radio and the amount of preamble to use is dependent upon the number of Scan List members in the target radios' Scan List and whether priority scan is being used. Since this added signaling increases the amount of airtime used for data and digital signaling messages, there is a trade-off between increased channel loading and increased likelihood of receiving data and digital signaling messages while scanning.

Suggested guidelines for the amount of preamble duration to use with Scan Lists not using priority is provided in the following table. Scan preambles are not required for Capacity Plus and Linked Capacity Plus modes.

		Number of Analog Scan List Members																
		0	1	2	3	4	5	6	7	8	9	10	11	12	13	14	15	16
Number of Digital Scan List Members	0	-	-	480	480	480	720	720	720	960	960	960	960	1200	1200	1200	1440	1440
	1	-	-	720	720	720	960	960	960	1200	1200	1200	1200	1440	1440	1440	1440	-
	2	480	720	720	960	960	960	960	1200	1200	1200	1440	1440	1440	1680	1680	-	-
	3	720	960	960	960	1200	1200	1200	1200	1440	1440	1440	1680	1680	1680	-	-	-
	4	960	960	1200	1200	1200	1200	1440	1440	1440	1680	1680	1680	1680	-	-	-	-
	5	960	1200	1200	1200	1440	1440	1440	1680	1680	1680	1680	1920	-	-	-	-	-
	6	1200	1200	1440	1440	1440	1680	1680	1680	1680	1920	1920	-	-	-	-	-	-
	7	1200	1440	1440	1680	1680	1680	1680	1920	1920	1920	-	-	-	-	-	-	-
	8	1440	1680	1680	1680	1920	1920	1920	1920	2160	-	-	-	-	-	-	-	-
	9	1680	1680	1920	1920	1920	1920	2160	2160	-	-	-	-	-	-	-	-	-
	10	1680	1920	1920	1920	2160	2160	2160	-	-	-	-	-	-	-	-	-	-
	11	1920	1920	2160	2160	2160	2400	-	-	-	-	-	-	-	-	-	-	-
	12	1920	2160	2160	2400	2400	-	-	-	-	-	-	-	-	-	-	-	-
	13	2160	2400	2400	2400	-	-	-	-	-	-	-	-	-	-	-	-	-
	14	2400	2400	2640	-	-	-	-	-	-	-	-	-	-	-	-	-	-
	15	2400	2640	-	-	-	-	-	-	-	-	-	-	-	-	-	-	-
	16	2640	-	-	-	-	-	-	-	-	-	-	-	-	-	-	-	-

The preamble duration should be increased when Scan List members tend to carry lots of traffic or long transmissions. If no radios in the system will use the scan feature, then the amount of preamble may be set to zero.

The preamble duration should be increased when priority scan is being used because the priority channels are scanned more frequently in a full scan cycle. The preamble duration should also be increased when the selected channel or DTC is a dual capacity direct mode channel because the scanning radio needs to scan the beacon monitoring channel. The following table suggests guidelines for the amount of preamble duration to use, with or without a dual capacity direct mode selected channel or DTC in a digital-only Scan Lists using priority.

		Number of Priority Members					
		Without DCDM DTC/Selected Channel			With DCDM DTC/Selected Channel		
		0	1	2	0	1	2
Number of Digital Scan List Members	0	–	–	–	–	–	–
	1	–	–	–	–	–	–
	2	480	480	480	960	960	960
	3	720	960	960	1200	1440	1200
	4	960	1200	960	1440	1920	1440
	5	960	1440	1200	1680	2640	1920
	6	1200	1680	1440	1920	3120	2640
	7	1200	1920	1680	2400	3840	3120
	8	1440	2400	1920	2640	4320	3840
	9	1680	2640	2400	2880	4800	4320
	10	1680	2880	2640	3120	5520	4800
	11	1920	3120	2880	3360	6000	5520
	12	1920	3360	3120	3840	6720	6000
	13	2160	3840	3360	4080	7200	6720
	14	2400	4080	3840	4320	7680	7200
	15	2400	4320	4080	4560	8400	7680
16	2640	4560	4320	4800	8640	8400	

If data and digital signaling is not carried on any of the non-priority channels and is only carried on one of the priority channels (which must be the selected channel for data messages), then the amount of scan preamble to use can be as specified in the first row of the Priority Scan table, above, regardless of the number of non-priority Scan List members.

2.5.3.2 Channel Scan and Last Landed Channel

A Channel Scan can be configured by selecting a group of already configured channels within a radio using the CPS, and adding them to a Scan List. Each channel is then configured to use this Scan List of channels. When scan is activated on a channel that contains a Channel Scan List, the MOTOTRBO radio checks for activity on each of the channels on the list.

While scanning a digital channel for activity, all Groups specified in the channel's RX Group List will be monitored. However if the radio is configured with a Channel Scan that contains channels that are configured with a RX Group List (a Group Scan), then only the Last Landed Channel is remembered by the radio, not the Last Landed Channel and Group. This means that voice transmissions are transmitted on the TX Call Member configured for the channel that was the Last

Landed Channel, not the Group in the Receive Group List of channel that was the Last Landed Channel. Note that if a transmission is made within the call hang time of the scanned transmission, it will be targeted towards the landed channel and group. If it occurs after the call hang time has expired, it will be targeted towards the TX Call Member.

When using the Last Landed Channel option, it is recommended for each group to have its own configured channel. This way there is only one group associated with a channel, essentially making the Last Landed Channel and the Last Landed Group the same.

2.5.3.3 Scan Members with Similar Receive Parameters

When adding members to a Scan List, it is important to be conscious of the differences and similarities between their receive parameters. A Scan List that contains scan members with the same receive parameters but different transmit parameters may result in misdirected reply transmissions. This is best explained by first describing the simplest example of such a scenario.

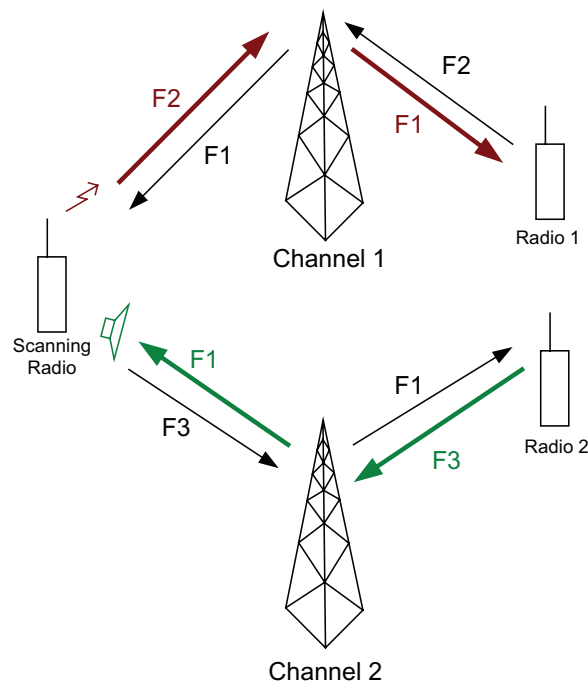


Figure 2-11 Misdirected Response while Scanning

In this example, a Scan List contains two scan members, *Channel 1* and *Channel 2*. *Channel 1* is an analog channel configured for carrier squelch with a receive frequency of F1 and a transmit frequency of F2. *Channel 2* is an analog channel configured for carrier squelch with a receive frequency of F1, but with a transmit frequency of F3. A Scan List such as this implies that there is a repeater that is transmitting on F1 and receiving on F2, and another that is transmitting on F1 and receiving on F3 (See Figure 2-11 “Misdirected Response while Scanning”). Since the radio only listens and qualifies using the receive parameters while scanning, the scanning radio could monitor a transmission from either repeater on either scan member. It does not know if it has actually landed on the correct channel or not. It only knows that the receive parameters have been qualified for the current channel being scanned. In other words, it does not know if the transmit parameters of the channel it has landed on matches the receive parameters of the radio that is being monitored. If the radio has landed on the wrong channel, when the radio user replies, the radio will transmit on the wrong frequency. The result will be a misdirected reply about half the time. This

scenario can be avoided by making at least one of the receive parameters unique. In an analog system, this could be done with the use of PL or DPL. In a digital system, this can be done by using a unique color code or unique group per channel. This will allow the scanning radio to only "land" on the channel where all receive parameters match and therefore properly direct the user's reply.

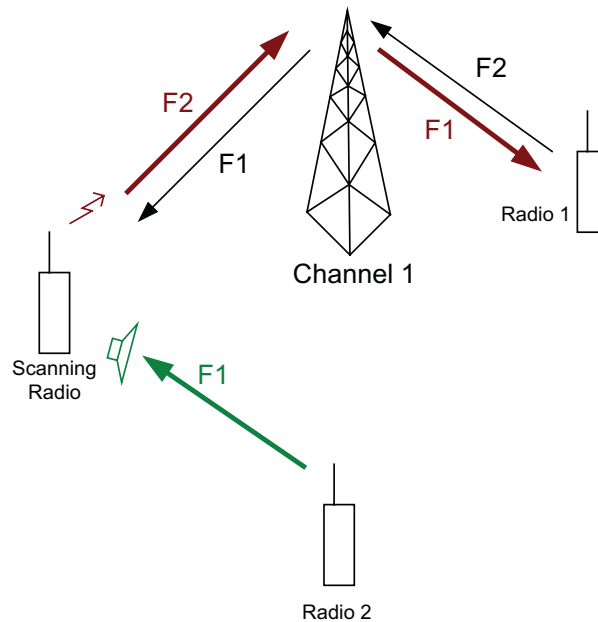


Figure 2-12 Misdirected Response while Scanning

Similar problems can occur if one scan member has fewer qualifiers than the others. Taking the example in Figure 2-11 "Misdirected Response while Scanning" again, *Channel 1* is still an analog channel configured for carrier squelch with a receive frequency of F1 and a transmit frequency of F2. However, *Channel 2* is now a digital channel configured for *Color Code 1* and Group 10 with a receive frequency of F1 and a transmit frequency of F3. The receive parameters in this example are different, but *Channel 1* has few qualifiers. *Channel 1* is configured to land on any transmission that breaks squelch. This means that any transmission that occurs on *Channel 2* will be heard on *Channel 1* as an analog signal. This Scan List will not only result in misdirected replies, but it also results in a digital transmission being played out the speaker as analog. The net result is undesirable sounds presented through the user's speaker. This type of configuration should be avoided at all times. This could be avoided by utilizing a PL or DPL on the analog channel instead of only carrier squelch.

Another similar problem occurs when the unique receive parameters between scan members are missing or cannot be determined. One scenario where this occurs is while scanning two slots of a repeater and a transmission is received directly from a subscriber on the same frequency. A radio in repeater mode can receive a transmission directly from a radio. However, in direct mode, slot numbering is not utilized. Therefore, if a radio is scanning two scan members with the same qualifiers with the exception of the unique slot number, when it receives a transmission without a slot number, either scan member will monitor it and "land". When the user replies, the transmission will be returned through the repeater on whichever slot assigned to the scan member it was monitored on. Depending on the configuration of the direct mode radio and its proximity to the repeater, the transmission may or may not be monitored. This can be managed by having different groups configured for each slot. This ensures that each slot has unique identifiers besides just the slot number. However, this does not help if the subscriber in direct mode is out of range of the

repeater. This is why it is not good practice to transmit in direct mode in the RF range of the repeater.

Generally, these scenarios can be avoided if Scan Lists are created with scan members that have unique receive parameters.

2.5.4 Transmit Interrupt and Scan

Some of the Transmit Interrupt features and scan can be used together. However, there are a few interactions that need to be taken into consideration, as discussed in the following paragraphs.

Firstly, since scan is not permitted when the radio is in an emergency mode of operation, Emergency Voice Interrupt and scan do not have any direct interactions to consider because these two features are mutually exclusive. However, if a radio is in scan mode when the radio user initiates an emergency condition, the radio first exits the scan mode of operation, and then enters the emergency mode of operation (optionally following emergency revert procedures). At this point, Emergency Voice Interrupt could be invoked, if the feature has been configured in accordance with the Emergency Voice Interrupt operation as described previously.

The second interaction to consider occurs when the radio is provisioned for both the Scan Priority Sampling and a Transmit Interrupt feature. Priority Sampling is temporarily suspended when a Transmit Interrupt request is pending. This is necessary to ensure that the radio user's transmit request takes priority over the radio's receive activities.

Thirdly, the radio can be configured with the scan feature such that replies occurring within a specified duration are transmitted to the same group and channel (this reply is called talkback). A reply that occurs outside of this duration is considered a new transmission.

If the radio is provisioned for Transmit Interrupt and talkback, then Transmit Interrupt is applied to the same group and channel, when the radio user invokes a Transmit Interrupt feature while receiving. If the designated transmit channel is busy and the radio is not a member of the ongoing call, then the Voice Interrupt request is simply denied.

Recall the options for new voice transmissions – outside of the previously mentioned duration – are transmitted while scanning; include the selected channel (the channel from which scan was started), another predetermined channel, or on the last landed channel for voice. Data and digital signaling are always transmitted on the selected channel. The last landed channel is not updated for data and digital signaling. In the event that the channel selected for a new transmission is busy, a Transmit Interrupt feature may be invoked on that channel if so provisioned on that channel. However, the radio must additionally be a member of the call in progress for Voice Interrupt to be invoked.

Finally, a radio's interruptible voice transmission periodically stops transmitting momentarily, and "listens" to the channel to determine whether it is being requested to stop its transmission. When a radio is scanning channels and testing the channel for presence of a carrier while another transmitting radio is listening to the channel for Transmit Interrupt signaling, the scanning radio may conclude that the channel has no activity and moves on to the next channel in the Scan List. However, this occurrence should happen only occasionally. It is most likely that the next time the scanning radio visits the channel, it will not occur at the moment that the transmitting radio has suspended its transmission. The net result is that the time taken to detect channel activity for an interruptible voice transmission may increase slightly, versus uninterruptible voice transmissions.

Since the repeater is transmitting continuously even during interruptible voice calls, this is only a concern when scanning channels that may contain interruptible voice Direct Mode transmissions.

2.6 Site Roaming

MOTOTRBO supports the ability to automatically roam between sites of an IP Site Connect or Linked Capacity Plus systems.

In an IP Site Connect system, a portable or mobile is configured with a roam list that contains a list of channels, each of which is one site (one repeater) of an IP Site Connect system (wide area system). In a Linked Capacity Plus system, the Master repeater is configured with a list of neighboring sites for each site. The Master repeater distributes the list to all the repeaters at the site. The Rest Channel repeater of a site periodically broadcasts the Rest Channels of all neighboring sites over-the-air. The radio searches through the list of sites and selects the one with the strongest signal, and identifies this site as its current home site. The radio remains on this home site until the signal strength has dropped below a programmable threshold or when it has lost communications with the home site, at which time it attempts to find a better home site. If available, this process takes around 60 seconds in an IP Site Connect system, and around 10 seconds in a Linked Capacity Plus system. If a better home site is not found, it remains on the previous home site and continues searching. Note that roaming occurs while the user is not in a call. Roaming is not supported while the user is in a call.

Automatic roaming involves scanning, which requires a radio to leave the Home channel for a short duration. This may cause the radio to make a late entry, or to miss a data/control call (without preambles). A stationary radio user may suspend the automatic roaming feature by using the Site Lock/Unlock features. The Site Lock/Unlock feature can be activated via the menu or a programmable button. An icon is shown on the radio display to indicate the status of automatic roaming.

Automatic roaming uses signal strength (RSSI) to select the Home channel. The signal strength is not always the best indication of the reception quality, especially when co-channel interference exists. If poor reception is encountered while automatic roaming is on, then the user can request the radio to find another channel. Automatic roaming, when activated via the menu/programmable button, allows the user to find another channel. The radio then responds to the user on the failure or success of the search. The radio LED indicates when the radio is roaming.

In IP Site Connect mode, the radio display indicates which site the radio is currently on, when the user enables Site Lock/Unlock via a button press.

In LCP, the radio display indicates which site the radio is currently on, when the user presses a button preprogrammed as the "Site Alias". A wide area talkgroup call is broadcasted over all the sites associated with the talkgroup. When a Group Call is dropped at a site due to poor reception, the radio roams and joins the call (as late entry) after landing on another site. This only happens if the site is associated with the talkgroup and the call has not ended. A Private Call is repeated over at most two sites. Therefore the radio can join the call (as late entry), only if the radio roams between those two sites.

An example of neighboring sites is illustrated below. The Neighboring Sites List of a 'site A' should only identify the sites to which a radio can roam from site A.



Figure 2-13 An Example of Neighboring Sites

For example, if the coverage areas of the sites are as shown in Figure 2-13, the Neighboring Sites Lists can be concluded as below:

Site ID	Neighboring Sites List
1	2
2	1, 3
3	2
4	5
5	4

The radios can be programmed with all the six sites as neighbors to each other. However, this causes inefficiency and potentially slows down the roaming from one geographically adjacent site to another.

The radio has two methods in which it accomplishes the act of roaming; a passive method and an active method.

2.6.1 Passive Site Searching

In Capacity Plus, the Passive Site Search method has the radio searching through a list of sites and selecting the one with the strongest signal. In Linked Capacity Plus, the radio searches through a list of neighboring sites and selects the one with the strongest signal. This method is utilized whenever the site is unlocked. It relies on repeater transmissions in order for the subscriber to determine which site has the strongest signal strength. Since it is expected that the radio will encounter other activity while performing the Passive Site Search, it qualifies the signal using the sites' programmed color code prior to selecting it as the new home. In addition, it sorts the sites in the roam list according to their signal strength in order to optimize follow up roams. Sites that have been detected in previous roam attempts and are assumed to be near by are searched before those that have not been detected before. Also, while roaming, the radio inspects the current home site in between other sites in order to minimize the time away. This strategy provides priority to the last home site and minimizes missing any transmissions while performing the roam attempt.

While passively roaming, the radio temporarily leaves the current home channel and inspects other sites to decide if a better site is available. It is important to note that since the radio is temporarily away from the home channel, it is possible to miss the beginning of a transmission (late entry). Because of this, it is not advisable or required to perform passive roaming all the time. Therefore, the radio should only passively search for a better site when the current home site is no longer desirable. If the radio is within good coverage of a site, there is no need to search for a

better site. In other words, the radio should only passively roam when the radio has moved far enough away from the site that its signal strength has degraded below an acceptable value or when its signal is no longer present. The signal strength threshold to initiate the Passive Site Search (Roaming RSSI Threshold) is configurable via the CPS. See “Configuring the Roaming RSSI Threshold” on page 82 for suggestions on setting the Roaming RSSI Threshold for various site configurations and scenarios.

Initiating Passive Site Search and selecting sites based on signal strength works well when the repeater is transmitting, but the MOTOTRBO repeater does not perform in a shared-use environment and is required to de-key when not in use. If there is no activity on a system, the Passive Site Search cannot detect any repeaters and therefore is unable to determine at which site the radio should be on. Therefore, the repeater can be configured to transmit a beacon, called a roaming beacon. Roaming beacons are periodic short transmissions by a repeater when the repeater is neither transmitting nor having interference from other systems. The duration and interval of the roaming beacon are programmable, in an IP Site Connect system only.

During times of no activity, the radio utilizes the signal strength of the beacon to determine when it should roam and which site it should roam to. If the radio does not receive a beacon in the expected duration, it assumes it is out of range of the repeater or that the repeater has failed and tries to roam to another site. The duration of the beacon is a function of the number of sites in the IP Site Connect system and therefore in the roam list. The interval of the beacon is a function of the shared use rules of the channel and how quickly a radio is required to roam when there is no activity. See “Setting Beacon Duration and Beacon Interval” on page 87 for suggestions on setting the beacon duration and interval for various site configurations and scenarios.

In LCP, the roaming beacon duration and interval are not configurable. The roaming beacon interval is five times the “lost detection beacon interval” of Capacity Plus. The duration of the roaming beacon, in LCP, consists of only one burst and is appended at the end of every fifth sequence of the Lost Detection Beacons.

NOTE: The “lost detection beacons” are transmitted periodically by the Rest Channel repeater when the repeater is not transmitting. The detection of the beacon by a radio indicates that the radio is in the coverage area of the repeater.

The radio does not perform Passive Site Search while:

- transmitting,
- receiving a call of interest,
- in emergency,
- in good RF coverage,
- in talkaround (direct) mode,
- radio disabled,
- received call alert,
- monitor mode,
- microphone is off hook,
- while in active menu, or
- while on a channel that has a Scan List (only applicable to IP Site Connect).

2.6.2 Active Site Searching

The Active Site Search method consists of the radio sending wake-up messages to each repeater in its sorted roam list until it finds an active site. This method is utilized when the user or radio initiates a transmission and the home site repeater cannot be awoken, or when the user initiates a Manual Site Roam.

In most cases, the Passive Site Search determines and selects the correct site if the radio is in the unlocked state. It may be possible that the radio has roamed into a new site and has yet to receive a beacon. Note that in an IP Site Connect system, the beacon interval is usually in the range of minutes and it typically takes approximately a minute for a radio user to move out of range of one site and into the range of another. Until a new site is found, the radio considers the previous site as the home site.

When the user presses the PTT or a data transmission is requested, the radio tries to wake the Home channel repeater. This Home channel repeater is chosen from the repeaters at the radio's current home site which was determined by the Passive Site Search. For IPSC, the radio chooses the single repeater at its home site channel. As for LCP, the radio chooses the current Rest Channel repeater at its home site. The radio then tries to wake a repeater at the home site. In LCP, if the radio has lost the previous site and is searching for a new site, all transmissions by the radio fail. Otherwise, the radio tries to wake the Rest Channel repeater.

If the repeater does not wake up, the radio repeats this process for all the sites. If a repeater wakes up, the radio synchronizes itself with the repeater, completes the transmission and make the new site the home site. If the end of the roam list is reached and a site is not found, the user receives a failure indication.

This entire process of discovering and synchronizing with an active repeater increases the voice access time of the transmission (time from PTT to Talk Permit Tone). However, this increase only occurs for one transmission since the next transmission proceeds regularly on the new site.

NOTE: Wake-up messages are always sent politely. This means that if the radio detects an interfering signal, the radio does not transmit a wakeup message on that roam list member. Instead, it continues performing an Active Site Search on the next roam list member.

If the user requests a Manual Site Roam, be it through a button press or menu item, the radio actively searches for the next available site using the process described above. The Manual Site Roam does not necessarily find the best site, but rather allows the user to move to the next site that is in range and transmitting. If no site is found, a negative indication is provided to the user. If in direct mode, a successful site search changes the new channel found to repeater mode. An unsuccessful site search remains in direct mode.

NOTE: Generally, the radio does not perform any Passive Site Search during an emergency. No automatic roaming is performed when the radio is reverted during an emergency. However, when configured to a non-revert emergency channel and with Active Site Search enabled, the radio will perform Active Site Search automatically whenever the RSSI of the repeater drops below the programmed threshold or if it no longer detects repeater beacons. Note that Manual Site Roam is supported while in an emergency. See "Emergency Revert, GPS/Data Revert, and Roaming Interactions" on page 89 for more details.

It is important to note that Active Site Search causes wake-up messages to be transmitted on each roam list member's frequencies until a site is found. This may not be agreeable in some areas where frequency overlap and sharing is common. In order to minimize the number of unwanted transmissions, the radio transmits one polite wake-up message. If a radio sends frequent GPS location updates while out of range, the radio limits the Active Site Search to only occur once every 30 seconds. This scenario is applicable in an IP Site Connect system only.

If this is still not acceptable in the area of operation, the radios should have automatic Active Site Search disabled, the Manual Site Roam button removed, and the beacon interval should be configured as short as possible. This ensures that the Passive Site Search finds new sites quickly and the user has no method to initiate an Active Site Search. Note that if Active Site Search is disabled, there will be no roaming while in an emergency.

2.6.3 Roaming Considerations

2.6.3.1 Configuring a Roam List

NOTE: This section is applicable to an IP Site Connect system only.

When configuring a Roam List it is important to keep in mind that a system can contain more than one IP Site Connect system, or also known here as a wide area system. A wide area system is made up of one or two wide area channels. Each wide area channel is an individual voice path, in other words, the users on the same wide area channel monitors each other on any site.

Figure 2-14 shows a system with 2 sites, 2 wide area systems, each with 2 wide area channels. Wide Area System 1, Channel 1 (WAS1 CH1) represents a wide area channel in wide area system 1.

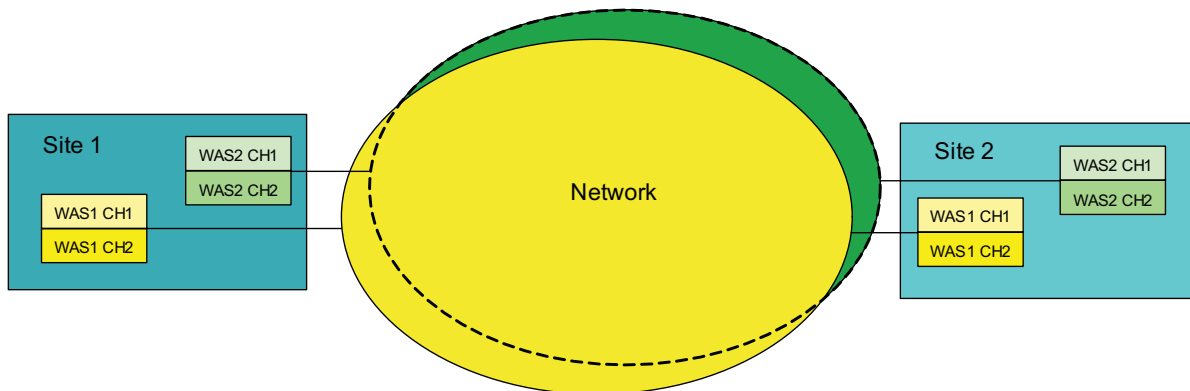


Figure 2-14 Two Wide-Area Systems, Each with Two Wide-Area Channels

Each wide area channel should have its own roam list. The roam list should contain one logical channel from each site that corresponds to the wide area channel. A logical channel is defined as the frequency pair, color code, timeslot combination. If there are multiple personalities (CPS Channels) that reference the same logical channel, only one should be added to the wide area channel roam list. Only wide area channels should be added to the roam list.

The table below shows an example of the two site configuration in CPS. The colors match those of Figure 2-14 to help clarify.

Zone/ Folder (Alias)	Personality (CPS Channel) # – Alias	Logical Channel			Group	Roam List # – Alias
		Freq Pair	Color Code	Time Slot		
Zone 1 (Site 1)	1 – SITE 1 TGA	1	1	1	TGA	1 – WAS1 CH1
	2 – SITE 1 TGB	1	1	2	TGB	2 – WAS1 CH2
	3 – SITE 1 TGC	2	1	1	TGC	3 – WAS2 CH1
	4 – SITE 1 TGD	2	1	2	TGD	4 – WAS2 CH2
Zone 2 (Site 2)	5 – SITE 2 TGA	3	2	1	TGA	1 – WAS1 CH1
	6 – SITE 2 TGB	3	2	2	TGB	2 – WAS1 CH2
	7 – SITE 2 TGC	4	2	1	TGC	3 – WAS2 CH1
	8 – SITE 2 TGD	4	2	2	TGD	4 – WAS2 CH2

The roam lists are configured as shown below:

Roam List # – Alias	Personality (CPS Channel) # – Alias
1 – WAS1 CH1	1 – SITE 1 TGA
	5 – SITE 2 TGA
2 – WAS1 CH2	2 – SITE 1 TGB
	6 – SITE 2 TGB
3 – WAS2 CH1	3 – SITE 1 TGC
	7 – SITE 2 TGC
4 – WAS2 CH2	4 – SITE 1 TGD
	8 – SITE 2 TGD

As can be seen there are 4 roam lists required for the 4 wide area channels. Each roam list contains only one personality that references the desired logical channel at each site. Although not necessary, personalities that correspond to a site can be placed together in their own zone (or folder). This will help further remove the concept of site from the radio user and allow the site roaming feature to choose the appropriate site. If they must manually choose a site, they can change zones. Using the actual name of the site as the zone alias will help clarify this to the end user, but it is not required. Since the same group is mapped to the same dial position in each zone, the user will have the same group selected as they change through the sites (zones). In this example the personalities are aliased with the group names, but other aliases that define Site, Channel, or Group name can be used. If there are more than one group per wide area channel, a roam list can be created for each group to utilize.

It is important to understand that when the radio determines a new home site to be one of the roam list members, it will only utilize the logical channel attributes of the roam list member. The remaining attributes will be used from the selected personality.

The following logical channel attributes of the home site are utilized:

- Transmit Frequency and Transmit Reference Frequency,
- Receive Frequency and Receive Reference Frequency,
- Color Code,
- Time Slot,
- Talkaround Setting,
- GPS Revert Channel
- Emergency System (Including Emergency Revert Channel)

Take specific note of the GPS Revert and Emergency Revert channels. Because physical channels will be different per site, the revert channels must change when the radio roams to another site. It is recommended that emergency settings (other than revert channel) should be the same for all personalities within a roam list. Otherwise the radio may perform an emergency differently as it moves from one site to another.

The remaining personality attributes (Transmit and Receive Group List, Channel Access, etc.) will be used from the currently selected channel regardless of which site the radio is currently roamed to. It is good practice to make these parameters identical for personalities within a roam list so that the radio acts the same regardless if it roams to the personality or if the user selects the personality.

2.6.3.2 Scan or Roam

When selecting a roam list for a personality to utilize, one will notice that a personality cannot contain a roam list and a Channel Scan List. MOTOTRBO does not currently support the ability to roam between sites and then scan channels at a particular site. Therefore while on a particular personality, a user has the ability to roam or scan channels, not both.

2.6.3.3 Configuring the Roaming RSSI Threshold

The Roaming RSSI Threshold is a CPS configurable parameter that controls the signal strength a subscriber needs to reach before searching for another site. If the RSSI measurement of the currently determined home site is above the specified Roaming RSSI Threshold, then the radio will remain on that site and not roam. Once the RSSI measurement drops below the threshold it will begin a Passive Site Search process to find a site with higher signal strength. This parameter essentially controls the distance away from a site a subscriber will begin looking for another site. In real life environments RF coverage is seldom a perfect circle, but to simplify this explanation, coverage will be abstracted as a circle.

It is important to note that while passively roaming the radio temporarily leaves the current home site to determine if a stronger site is available. Since the radio is temporarily away from the home channel, it is possible to miss the beginning of a transmission (i.e. enter the call late). Because of this, it is not advisable to perform passive roaming all the time.

The setting of the Roaming RSSI Threshold is a balance between when a radio will leave one site and look for the next versus how often the radio will perform roam and therefore increase the

chances of late entry to voice calls. If the Roaming RSSI Threshold is too low, the radio will remain on a low signal strength home site even though there might be a stronger site available. If the Roaming RSSI Threshold is too high, the radio will be roaming in full coverage of a repeater and causing late entry when not required. Figure 2-15 shows the impact of the Roaming RSSI Threshold value in relationship to the good coverage line (dotted) which most system coverage is designed to meet. Note that the Roaming RSSI Threshold is a negative number therefore a high value is -80 dBm and a low value is -120 dBm. The colored area is where the radio would roam.

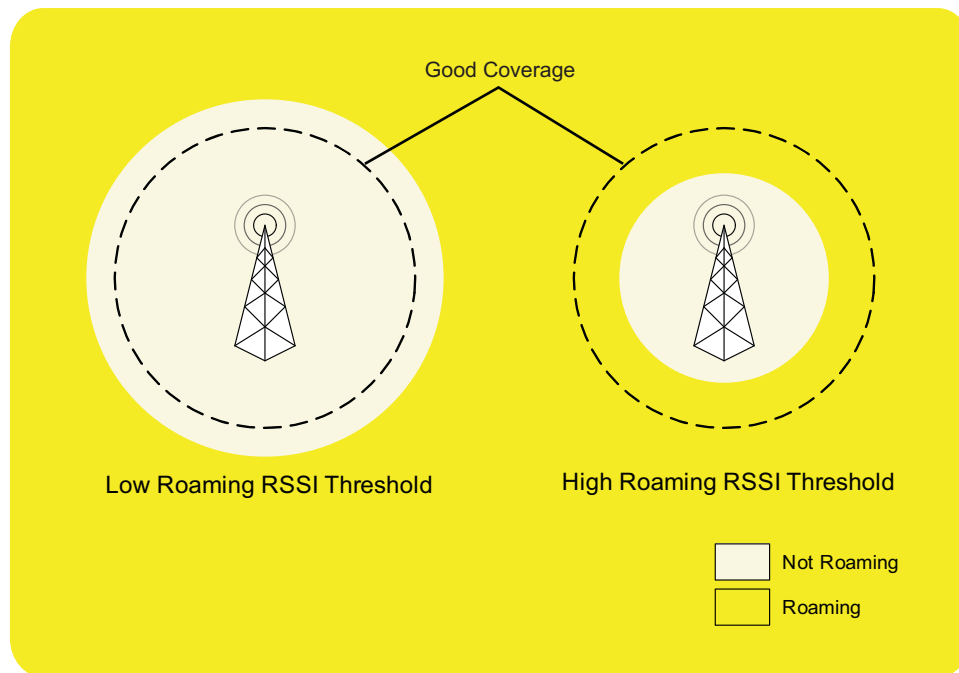


Figure 2-15 Roaming Triggered by Roaming RSSI Threshold Value

The default value of the Roaming RSSI Threshold is -108 dBm. It can be programmed for anything between -80 dBm and -120 dBm. A value of -108 dBm is approximately 80% of the good coverage. Therefore roaming will occur in the outer 20% of coverage. The default value is acceptable for most configurations but may not be optimal in some particular configurations. Before setting the Roaming RSSI Threshold, one must consider the customer's site configuration.

Consider the following four basic site configurations:

1. **Dense Overlapping Coverage (Urban)** – This type of coverage consists of dense sites with generous overlap. This coverage type is often found in large cities or highly populated areas. Overlapping sites utilize different frequencies. Non-overlapping sites may share frequencies, but those that do share frequencies need to have different color codes if they need to be distinguished while roaming. This type of coverage is highly likely to be encountered shared use on one or all of its sites. A radio user may be within coverage of three to four sites at a time. The time it takes a radio user to move from the coverage of one site to another is in the range of 10 minutes.

2. **Isolated No Overlapping Coverage (Rural)** – This type of coverage consists of isolated sites with little to no overlap. This coverage type is often used for isolated sites in rural areas, although could be used to cover a single part of a small city. Non-overlapping sites may share frequencies, but those that do share frequencies need to have different color codes if they need to be distinguished while roaming. This type of coverage is less likely to encountered shared use although possible. A radio user will only be within coverage of one site at any time. The time it takes a radio user to move from the coverage of one site to another is in the range of multiple hours.
3. **Corridor Coverage** – This type of coverage consists of in-series slightly overlapping sites. This coverage type is often used for covering highways, train tracks, shore lines, or rivers. Frequency re-use is common in this configuration since one site only overlaps with its two adjacent sites. Non-overlapping sites may share frequencies, but those that do share frequencies need to have different color codes if they need to be distinguished while roaming. A radio will only be within coverage of one to two sites at a time. The time it takes a radio user to move from the coverage of one site to another is in the range of an hour.
4. **Multi-Floor Coverage** – This type of coverage consists of dense extremely close sites with short range coverage and generous overlap. This coverage type is often used for covering tall buildings, or deep tunnels. Frequency re-use is not common due to the small coverage footprint usually implemented with in-building radiax antenna systems. This coverage type also often encounters quick signal strength drop offs due to the nature of in building coverage. Non-overlapping sites may share frequencies, but those that do share frequencies need to have different color codes if they need to be distinguished while roaming. A radio will only be within coverage of one to two sites at a time. The time it takes a radio user to move from the coverage of one site to another is in the range of one minute.

Reference the following diagrams.

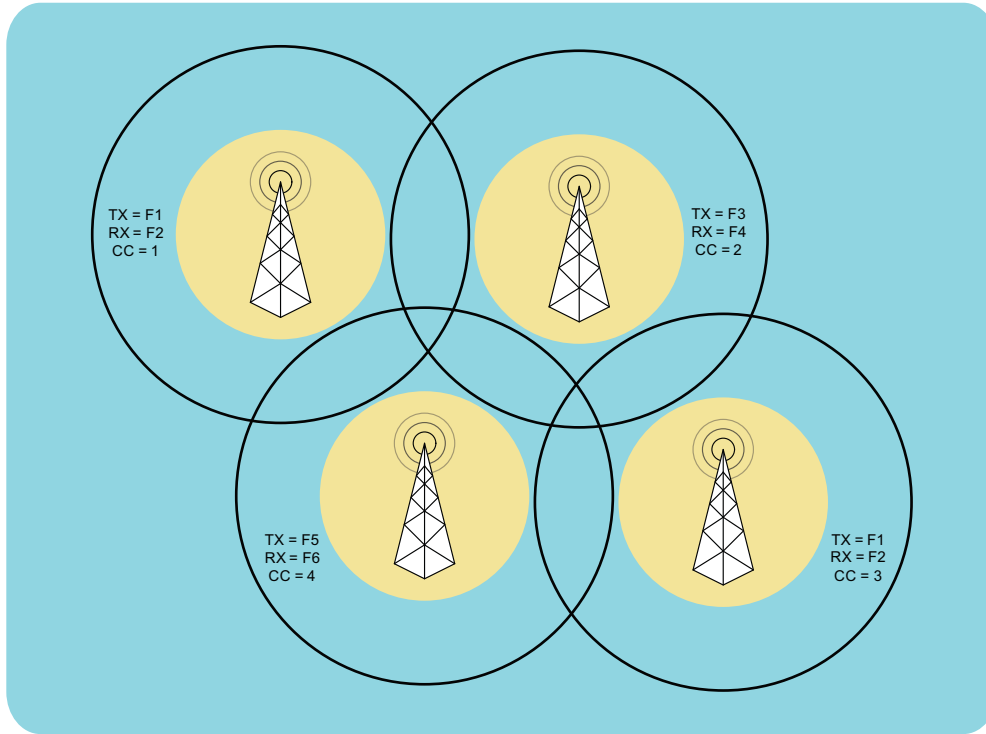


Figure 2-16 Dense Overlapping Coverage (Urban)

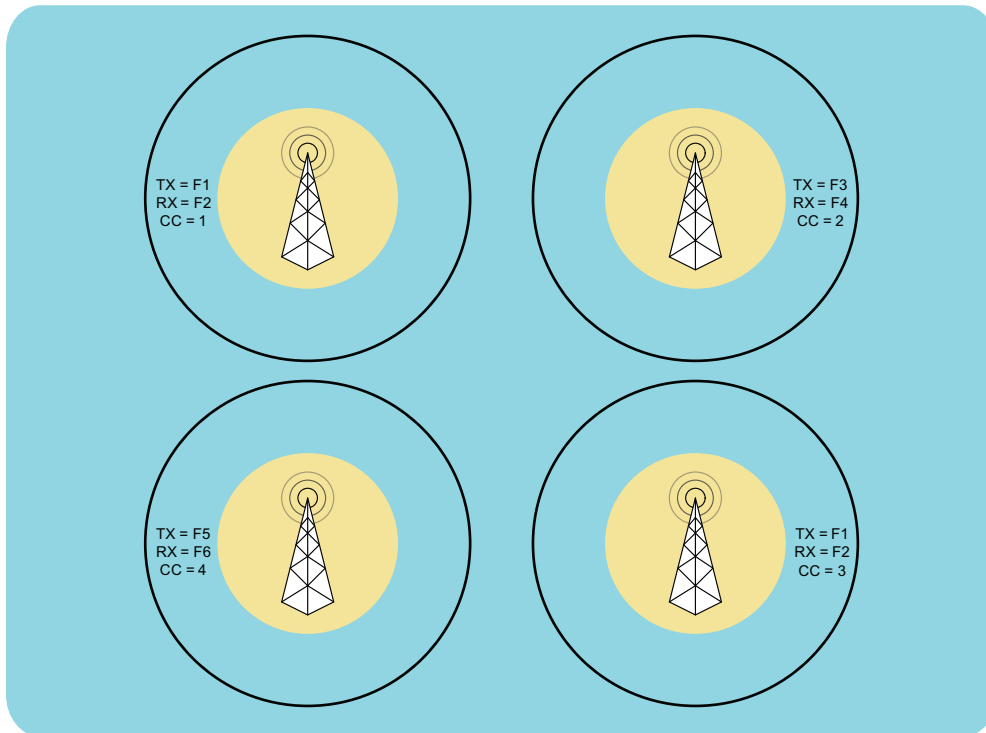


Figure 2-17 Isolated No Overlapping Coverage (Rural)

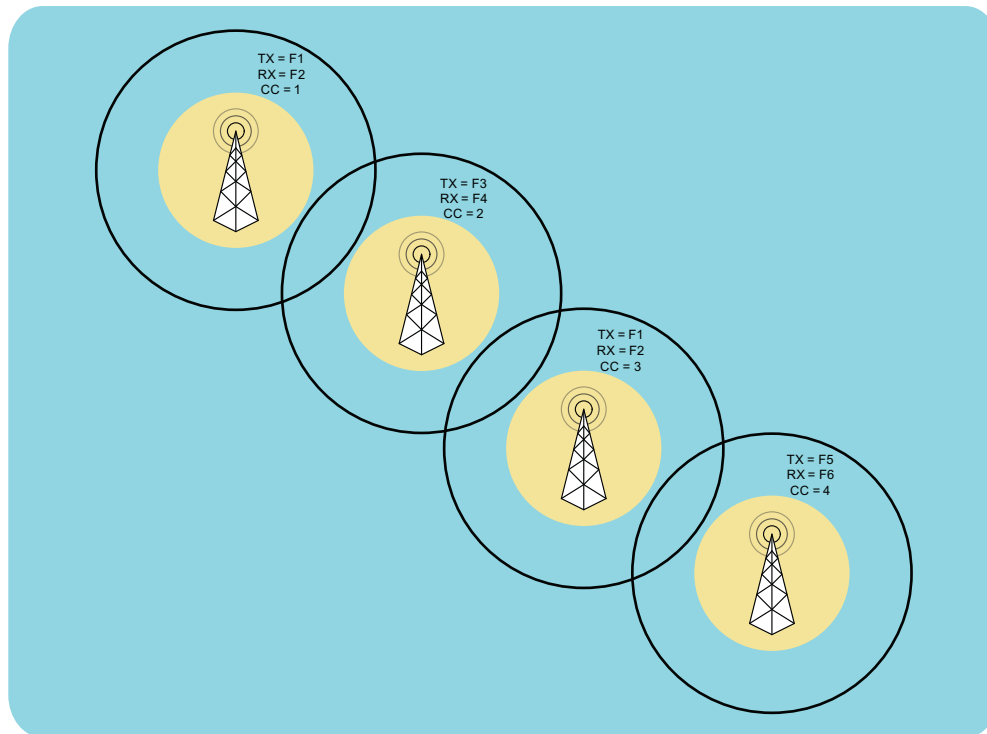


Figure 2-18 Corridor Coverage

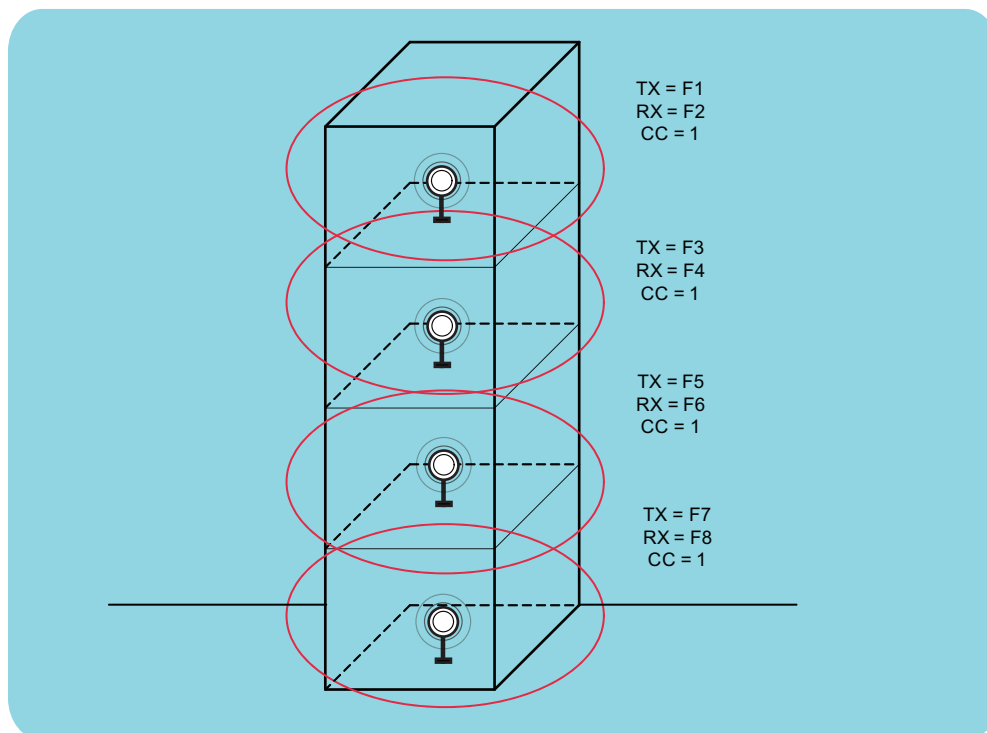


Figure 2-19 Multi-Floor Coverage

The site configuration should be taken under consideration when the Roaming RSSI Threshold is set. For example if the customer has a “Isolated No Overlapping Coverage” the threshold can be

set to its lowest value of -120dBm. Because there is no overlap, there is no reason for the radio to start roaming until well outside of the coverage range of the repeater. For extremely close sites with large overlaps and quick signal drop off like the “Multi-Floor Coverage”, it might be better to set to it to a higher value so that the radios search for stronger sites closer to the repeater. The following table is the suggested setting for each basic site configuration. Many radio systems will have a combination of site configurations so the system designer will need to take all configurations into consideration and choose an appropriate value.

Site Configuration	Recommended Roaming RSSI Threshold	% of Outer Range Radio Will Roam
Isolated No Overlapping Coverage (Rural)	-120 dBm	Out of Range
Corridor Coverage	-110 dBm	10%
Dense Overlapping Coverage (Urban)	-108 dBm	20%
Multi-Floor Coverage	-102 dBm	50%

It is important to note that the preceding Roaming RSSI Thresholds assume the outbound and inbound RF coverage of the system is balanced. In other words, when a radio is within good outbound coverage of the repeater the radio’s inbound transmission can reach the repeater. Since the roaming algorithm uses the outbound transmission to determine when to roam, having an unbalanced system can cause radios not to roam even though they can no longer reach the repeater. This can lead to radio transmissions that do not reach the repeater and are therefore not repeated.

One method to rectify this problem is to lower the output power of the repeater. This decreases the outbound coverage area, but ensures that if a subscriber can hear the repeater well, it can respond successfully. If lowering the output power is not desirable, the Roaming RSSI Threshold needs to be raised higher (less negative) than the recommended values. This forces the radios to roam to another site within very good RF coverage of another. This value may be different for portables and mobiles since they have different output power and therefore different inbound coverage. Portables may need a higher (less negative) Roaming RSSI Threshold than mobiles.

Also note that there is one Roaming RSSI Threshold per roam list. This means that if one site has an inbound outbound imbalance and another does not, it may be difficult to find the correct Roaming RSSI Threshold to exactly accommodate both sites. In other words if you set the threshold to roam correctly on the imbalanced site, it may end up roaming too early on a balanced site.

2.6.3.4 Setting Beacon Duration and Beacon Interval

NOTE: This section is applicable to an IP Site Connect system only.

If there is no activity on a system, the repeaters will hibernate and the radio’s Passive Site Search are not able to determine the signal strength, and therefore, which site is best since repeaters are not transmitting. Because of this, the repeater can be configured to transmit a beacon when not active and there is no other interfering signal. During times of no activity, the subscriber utilizes the signal strength of the beacon to determine when it should roam and which site it should roam to. If the subscriber does not receive a beacon in the expected duration, it assumes it is out of range of the repeater (or the repeater has failed) and attempts to roam to another site.

Both the beacon duration and the interval are programmable via CPS. The beacon duration is only configured in the repeater, but the beacon interval is programmed in both the repeater and the radio.

The duration and interval of the beacon is a function of the over-the-air shared use rules in the customer's region. The beacon duration is dependant on the number of sites in the IP Site Connect system and therefore in the roam list. The beacon interval is dependant on how quickly the radio is expected to roam to and from a site when there is no activity. The minimal duration and interval need to be met while keeping within the shared use guidelines of the region.

The ratio of the beacon duration and beacon interval equate to how often the repeaters transmit while there is no inbound radio activity, i.e. the beacon transmit ratio. This ratio is not directly programmed into the system, but is rather a guideline for setting the Beacon Duration and Interval. If on a shared use frequency the beacon transmit ratio should be kept low. The target ratio is between 5% and 10%. In other words, if there is a need to increase the beacon duration, the beacon interval must also increase in order to keep the correct ratio.

If the beacon duration is configured too short it can be difficult for a roaming radio to detect it. This is especially true as the number of sites increases. As the amount of time between a roaming radio's repeated roam attempts to a particular site increases, it is less likely to be inspecting the site at the exact moment that the beacon is transmitted. Recall that the home site is sampled in between other sites, which increases the overall cycle time. A user is typically within the coverage of no more than 4 sites at any given time, therefore even with a large roam list, most of the sites have no activity and can be inspected very quickly. If numerous sites have shared-use frequencies (i.e. interference) the radio takes longer to get through its roam list and this increases the time between inspections of one particular site. Note that because the roam list is sorted by signal strength, the nearer sites are inspected first. Alternatively, if a user is transitioning to a site that they have not visited lately, the first roam may take slightly longer, but once it is has been detected this site moves to the front of the roam list. To improve the likelihood of receiving the beacon, the beacon duration should be increased. It is safer to have a beacon duration longer than shorter, but keep in mind that if the duration is increased, the beacon interval must be increased to meet the beacon transmit ratio.

The beacon interval controls how quickly a radio can roam to a site and how quickly it roams away from a site when there is no activity. When roaming with no system activity, a radio needs to see a beacon in order to roam to a new site. If the repeater beacon is sent out every one minute, the radio may be one minute deep into the site before it sees the site and roams to it. Similarly, when roaming with no system activity, a radio may be one minute outside of the site before it attempts to roam. The impact of this value often changes based on how quickly the users are traveling. For example a car driving 60 m.p.h. can cover a mile a minute and therefore will be one mile into or out of a site before roaming. This could be acceptable for site configurations such as the "Isolated No Overlapping Coverage" or the "Corridor Coverage", but the "Dense Overlapping Coverage" coverage type may require a quicker beacon since it will both trigger the leaving and entering of sites. Note again that if the user initiates a transmission before the passive roam finds the beacon, the radio will attempt to wake-up the site repeater.

A one minute beacon interval may not be an issue for users on foot unless the sites are very close like in the "Multi-Floor Coverage" example. In this case a user in an elevator can move between sites at a very high rate. A one minute interval may cover the entire duration of an elevator ride from the first floor to the top. Here, it is recommended to keep the beacon interval in the range of 20 seconds. Note that a beacon transmit ratio of a 5% may not be achievable for systems with a high number of repeaters. In this case the designer may either decide to abandon the target beacon transmit ratio since in-building coverage usually does not propagate very far or have

neighbors to interfere with, or lower the beacon duration to only cover the max number of overlapping sites a radio may ever see.

The table below is the recommended beacon duration and beacon interval (8% beacon transmit ratio) for a varying number of sites. The default value is a 4.32 second Beacon Duration with a 60 second Beacon Interval.

Number of Sites in Wide Area System	Beacon Duration (sec.)	Beacon Interval (sec.)
2	0.72	10
3	1.92	30
4	3.12	40
5	4.32*	60*
6	5.52	70
7	6.72	90
8	7.92	100
9	9.12	120
10	10.32	130
11	11.52	150
12	12.72	160
13	13.92	180
14	15.12	190
15	16.32	210

* Default Values

If shared use is not a problem in the customer's region, the beacon transmit ratio become less important and it may be desirable to increase the beacon duration and decrease the beacon interval past what is identified here. If the automatic Active Site Search feature is going to be disabled, it is advisable to lower the beacon interval as much as possible since radios will rely only on it to find the appropriate site.

2.6.3.5 Emergency Revert, GPS/Data Revert, and Roaming Interactions

Emergency Revert and GPS Revert are specific to the current home site of an IP Site Connect system. Data Revert is specific to the current home site of a Linked Capacity Plus system. This is important since a revert channel of one site will most likely not be a revert channel of another site. Although it is possible to revert while roaming, roaming while reverted is limited.

While in emergency and configured as non-revert the radio will not perform Passive Site Search. If Active Site Search is enabled, the radio performs an automatic Active Site Search when the RSSI of the repeater drops below the programmed threshold or if it no longer monitors the repeater beacons (normal triggers for passive roam). This is considered as a more aggressive method to

site search as compared to passively searching. The radio also supports the ability to trigger an automatic Active Site Search on transmit request by the user or automatically by the radio (GPS). Standard Manual Site Roam is also supported. Active Site Search can be enabled or disabled via the CPS.

While reverted due to emergency, no automatic roaming occurs. This is primarily due to the fact that the emergency revert channels may not be on the same logical channel, and the emergency handlers may not be the same. It is not desirable for a user to automatically leave one emergency handler and switch to another without notification.

A radio **will** perform an Active Site Search (using the selected personality's roam list) when the emergency is first initiated if the revert channel is not available. Once on the revert channel, only Manual Site Roam is available. In other words, if a user enters emergency, and then roams out of range of the revert channel, the radio does not automatically roam even if the user presses the PTT. When a Manual Site Roam is initiated while reverted, the radio performs an Active Site Search using the selected personality's roam list.

When a new site is found due to a roam while in emergency, the emergency process restarts on the new site (similar to manually changing the dial position) if the new home is provisioned for revert. If the new home is not provisioned as revert, the emergency process does not restart since the radio never left the wide area channel. It is assumed that the original target of the emergency is still monitoring since the source never left the wide area channel. The radio also assumes that emergency handling configuration (outside of revert) is the same across the wide area channel. The radio reverts if the new home site is provisioned as such. If a new site is not found, the radio returns and remains on the original site or the site revert channel, if provisioned. Per normal revert rules, upon clearing the emergency the radio would return to the home site. If the radio roams to a site that has Emergency Disabled (or no Emergency System) then radio remains in emergency but does not process the emergency sequence. The user can then attempt another Manual Site Roam to find a site that does have emergency.

Note that in most cases, the passive search while not in emergency should get the radio on the correct site and therefore when it emergency reverts, it should still be at the same site. If in Silent Emergency mode, no ergonomics associated with Manual Site Roam are displayed.

When a GPS/Data Revert occurs, no automatic roaming is supported. If the GPS/Data Revert Channel is out of range, the data message is dropped. On return to the home channel after a failed GPS/Data Revert, the radio continues the Site Search using the selected personality's roam list.

While in emergency (initiator, not receiver) and GPS/Data Revert occurs, no automatic roaming is supported while reverted. If GPS/Data Revert Channel is out of range, the data message will be dropped. On return to an emergency revert channel in an IP Site Connect system, after a failed GPS revert, the radio will NOT initiate an Active Site Search since this is not supported while in emergency.

See "Emergency Revert and GPS/Data Revert Considerations" on page 347 for further details on how Emergency Revert and GPS/Data Revert operate together.

In summary:

Feature	Passive Site Search	Automatic Active Site Search on TX Request	Automatic Active Site Search on Loss of Site	Manual Site Roam
Tactical Emergency (Non-Revert)	Not Available	Available	Available	Available

Feature	Passive Site Search	Automatic Active Site Search on TX Request	Automatic Active Site Search on Loss of Site	Manual Site Roam
Emergency Revert	Not Available	Only Available on Emergency Initiation	Not Available	Available
GPS/Data Revert	Not Available while Reverted	Performed After Dropping the Data Message	Not Available	Available

2.6.3.6 Performance while Roaming

It is important to note that roaming (not just enabled, but in the act of searching) may cause some minor degradations in performance. Therefore, it is important that the Roaming RSSI Threshold and the radio's Site Lock be set appropriately when not mobile. These degradations are similar to what a scanning radio would experience. Degradation may be experienced in the following areas:

- Late Entry to Voice Transmissions (Voice Truncation)
- Longer Preambles required for Control Messages and Data
- Increased setup time for Confirmed Private Calls
- Group Call Time to Talk Permit may increase if Site Search Required

While roaming the radio temporarily leaves the current home channel and inspects other sites to decide if a better site is available (similar to scan). This means that radio may not be present on the home site when a call starts. The home site is inspected between every other site to minimize the time away. This is similar to the scan ordering of a priority scan member.

One issue that arises from this situation is that if a Group Call or unconfirmed Private Call starts while the target is inspecting another site, there may be a short delay before joining the call. This will equate to voice truncation for the target radio.

Another issue faced will be the need for longer preambles in order for command and control messages, and data to be received by a radio that is currently roaming. Without an extended preamble, roaming radios will miss the message.

The need for preambles also affects the setup time for confirmed Private Calls. Confirmed Private Calls utilize command and control messaging to setup the call. In addition, the first setup attempt does not utilize any preambles. This increases the setup time between radios that are not roaming. This means that the first setup attempt of a Private Call is not successful if the target radio is roaming. The radio then attempts a second time with a preamble. This second attempt will more likely be successful and the Private Call will continue.

If the current home site cannot be awoken, the radio attempts to locate another site using an automatic Active Site Search. As the radio attempts to wake-up other sites, the user must wait. This increase in time will be recognized as an increase in the time from PTT to receiving the Talk Permit Tone. This is not expected to occur often if the beacon interval is set appropriately.

It is expected that the value that the roaming feature adds is worth these performance degradations. The Beacon Interval and the Roaming RSSI Threshold should be set appropriately to minimize the amount of time a radio is searching for a site.

2.6.3.7 ARS Registration on Roaming

When a radio roams in data capable mode with the Presence Service enabled, the radio can be configured to automatically send ARS registration messages to the Presence Notifier application. This ARS registration on roaming capability can be enabled or disabled via CPS configuration, and is applicable in both Passive Site Search and Active Site Search.

During **Passive Site Search** roaming, when ARS registration on roaming is disabled, the radio roams when the RSSI of the repeater roamed into is greater than the RSSI of the current Home channel by 0 dB. However, when ARS registration on roaming is enabled, the radio roams only when the RSSI of the repeater roamed into is greater than the RSSI of the current Home channel by 6 dB. As a result, this reduces frequent registrations on roaming.

During **Active Site Search** roaming, when ARS registration on roaming is enabled, the radio automatically sends an ARS message to the Presence Notifier application if it roams into a site successfully.

This ARS registration on roaming capability can be used by user applications to monitor which repeater site a radio is currently in.

2.7 Voice and Data Privacy

Over a digital channel, MOTOTRBO supports a way to keep communication (both voice and data) private. Privacy protects the information, where “protection” means that the MOTOTRBO resists reading of data payload or listening of voice by anybody other than the intended receivers.

MOTOTRBO does not provide any mechanism to authenticate the radios or radio users and it does not protect the integrity of the messages.

2.7.1 Types of Privacy

MOTOTRBO offers two type of privacy mechanisms – Basic and Enhanced. Both of them utilize Motorola proprietary mechanisms/algorithms and therefore are not interoperable with other vendor’s privacy offerings.

The main differences between Basic and Enhanced Privacy are that the Enhanced Privacy provides higher level of protection and it supports multiple keys in a radio compared to one key in the case of Basic Privacy.

The two privacy mechanisms are not interoperable. Both mechanisms cannot operate in a radio at the same time. This implies that either all the digital private channels support Basic Privacy or all the digital private channels support Enhanced Privacy. Also all the radios on a repeater must use the same privacy mode even if they are in different groups. In direct mode, all the radios that communicate with each other must use the same privacy mode.

The software for both co-exists in a radio and repeater. While configuring a radio or repeater using CPS, the CPS user selects the radio-wide privacy type to be either Basic or Enhanced.

2.7.2 Strength of the Protection Mechanism

Both Basic and Enhanced Privacy do not provide resistance against “replay attack” (i.e. an adversary intercepts the data and retransmits it) or “traffic analysis” (i.e. disclosure of information that can be inferred from observing the traffic patterns).

Their protection mechanism requires a key that is shared only among the intended parties. They do not use any hardware-based cryptographic engine or a hardware-protected memory for storage of keys.

The resistance provided by the Basic Privacy is minimal due to the following reasons:

- The Basic Privacy uses a non-cryptographic algorithm to transform plain voice/data into protected voice/data. It is possible for an adversary to obtain the key by storing a few over-the-air voice or data packets and performing few simple mathematical operations.
- The Basic Privacy uses 16 bit keys. A user selects a key from 255 predefined keys stored in the CPS. The limited number of possible keys makes it easy for an adversary to guess the key in-use.

The intended use of the Basic Privacy is to stop casual eavesdropping only.

The resistance provided by the Enhanced Privacy is significantly better than the resistance provided by the Basic Privacy due to the following reasons:

- The Enhanced Privacy uses a cryptographic algorithm to transform plain voice/data into protected voice/data. The algorithm is the well-known ARC4. (Alleged RC4) and is same as RC4¹. A cryptographic algorithm makes it very difficult for an adversary to obtain the key from over-the-air protected messages.
- The Enhanced Privacy uses 40 bit long keys. A radio can store up to 16 keys and the Enhanced Privacy allows using different keys for different channels. The large number of possible keys (approximately 1 trillion) makes it difficult for an adversary to guess the value of a key. Note that a 40 bit long key may not provide the protection needed to transmit valuable data such as credit card numbers.
- Using the same key, the Enhanced Privacy protects each superframe of voice or each data packet in a different and unrelated way. This increases the resistance further.

2.7.3 Scope of Protection

Both Basic and Enhanced Privacy protect only the voice and data messages (including IP/UDP headers). The layer 2 voice and data headers, data response packets, and link control data are not protected. This means that the source and target individual ID and Group IDs are not protected. Control messages such as Radio Disable, Remote Monitor, Radio Check, Call Alert and the embedded and standalone digital signaling are also not protected.

The protection is provided in all the operational modes (direct mode, repeater mode, and IP Site Connect) and through all the communication paths between the sending radio and the destination radio. This implies that the voice and data messages remain protected in the following situations:

-
1. The name “RC4” is trademarked by RSA Security. Although “unofficial” implementations are legal, but the RC4 name cannot be used.

- Over-the-air, in direct mode;
- Over-the-air and inside a repeater, in repeater mode; and
- Over-the-air, inside repeaters, and over the backend network, in IP Site Connect.

Note that the Basic and Enhanced Privacy does not protect the voice and data messages between a radio and its option board or between a radio and its accessory (including a MDT). Any data that extends past the radio network is not protected. For example, text messages from field units to text message dispatchers or e-mail addresses on a network are not protected once they leave the destination radio (i.e. a Control Station).

Both Basic and Enhanced Privacy protect Individual voice call, Group voice call, All system call, Emergency Call, and all Packet data calls (i.e. Individual, Group, unconfirmed, and confirmed).

2.7.4 Effects on Performance

Basic Privacy uses only one key, which is known to both the sender and the receiver. This eliminates the need to transport crypto parameters (e.g. Key Identifier) with the voice or data payload. A voice message, in case of Basic Privacy, neither requires any modification in the payload nor any additional headers. Therefore, the System Access Time and the audio quality of a Basic privacy protected voice is same as that of an unprotected voice.

Enhanced Privacy uses multiple keys and a random number to ensure that the encryption data is different for each data message and each superframe of a voice message. This requires transporting crypto parameters (e.g. key Identifier, Initialization Vector) with the voice or data payload. A voice message, in the case of Enhanced Privacy, requires an additional header and replaces some of the least important bits of the voice payload with the Initialization Vector. The additional header increases the System Access Time except when Talk Permit Tone is enabled (in repeater mode) where the additional header replaces one of the normal voice headers. The replacement of payload bits reduces the voice quality. Note that the reduction in voice quality is barely noticeable.

In case of both Basic and Enhanced Privacy, a data message requires an additional header to distinguish between an unprotected data message and a protected data message. In case of Enhanced Privacy, the additional header is also used to transport crypto parameter. This reduces the data throughput. For example, a typical protected confirmed location response takes 600 milliseconds compared to 540 milliseconds for an unprotected one (approximately 10% loss in throughput).

2.7.5 User Control Over Privacy

The Customer Programming Software (CPS) allows a System Installer to select the type of privacy (i.e. Basic and Enhanced Privacy). CPS also allows the enabling or disabling of the privacy service of a channel. The option to toggle the privacy capability per channel can additionally be given to the radio user by providing a menu entry or programmable button. Without the menu entry or programmable button, the radio user is essentially "locked" to the channel's privacy setting. It is important to note that a user can set or reset privacy for a channel, and not for the radio. If the user is provided with the menu entry or programmable button, and he toggles the privacy setting, only the selected channel's privacy setting is toggled and remains toggled even after the user changes channels or zones. Toggling the privacy setting on a channel will not affect the privacy setting on other channels.

The privacy setting of a channel controls the transmit privacy setting, not the receive privacy setting. A radio on a privacy-enabled channel always transmits protected, while a radio on a privacy-disabled channel always transmits unprotected. However, the radio receives both unprotected and protected regardless of the channel's privacy setting. Any time the radio receives a protected message, regardless of the channel's privacy setting, the radio always tries to unscramble or decrypt the message. If a radio is never required to receive protected messages then it should be provisioned with a key that is different than the key(s) used by the rest of the system. Simply setting a channel to be privacy-disabled does not stop the radio from receiving protected messages. A radio receives a protected message correctly as long as it has the right key.



Therefore, when one radio user on a privacy-enabled channel transmits, every radio, regardless of its channel's privacy-enabled or privacy-disabled status, will hear the transmission clearly if their provisioned Privacy Key is identical to that of the transmitting radio. A radio user receiving a protected transmission sees the green LED blinking rapidly. The receiving radio user should consider changing the privacy setting to match that of the call initiator when replying.

In case of Basic Privacy, a system utilizes only one key and if all radios are privacy capable, it is recommended that all radios are set to privacy enabled and equipped without the option to toggle the privacy settings by a radio user. Since Basic Privacy does not cause any degradation in audio quality, or decrease in performance, there is no reason for the normal user to switch between non-privacy and privacy. Removing the option to toggle the setting from the radio user will safeguard against any complicated privacy mismatch scenarios.

2.7.6 Privacy Indications to User

It is important for a radio user to know the privacy status (i.e. enabled or disabled) of the current channel, and also to know if the received voice transmission is unprotected or a protected voice transmission. There is no privacy indication for incoming protected data transmissions.

Prior to transmitting, a radio user should check the privacy setting of the current channel. On privacy-enabled channels, an icon is shown on the front panel display of the radio when the radio is idle.

Privacy Status/Type	Icon
Enabled	
Enhanced and Disabled	
None	<i>no icon</i>

Upon receiving a voice transmission, the radio user can know the privacy status of the voice transmission by observing the blinking rate of the receive LED. When receiving a protected voice transmission, the LED blinks green but at a quicker rate than when receiving an unprotected voice transmission.

If radio users in a call have mismatching privacy settings, but the same key, they are able to communicate, but the transmissions are protected in only one direction. In other words, only the transmissions from radios with privacy enabled are protected.

The radio does not automatically negotiate privacy settings, or block transmissions that are not protected. Therefore, it is up to the radio users to monitor the privacy indications to determine if all the users in the call have a matched privacy setting. The radio will display the privacy setting of the received transmission, but will blink if it does not match the transmit mode of the receiving radio. When a privacy setting mismatch occurs, they should request the other members of the call to switch their privacy settings to match. The radio allows users to enable or disable privacy on the channel while on a call.

Radio users with non-display or numeric display radio models are not able to view the icon that is shown on a privacy-enabled channel. Therefore, it is recommended that such users should not have the option to toggle the privacy setting.

If non-display or numeric display radio users must be able to toggle between protected and unprotected, it is recommended that this be done by programming duplicate channels, one with privacy enabled and one without, and the user should use the dial position to toggle between protected channels and unprotected channels. For example, dial position one may be set to communicate with a Group in unprotected mode, and dial position two may be set to communicate with the same group but in protected mode.

2.7.7 Key Mismatch

In case of Basic Privacy, a receiving radio assumes that the received protected transmission is protected using the same Key that it has, because the key identifier is not sent with the message. If the receiving radio does not have the same key as the transmitting radio, the receiving radio cannot unprotect the transmission correctly. For voice transmissions, this results in unintelligible audio (sometimes referred to as digital warbles) being played through the target's speaker. For data transmissions, this results in an unsuccessful data message transmission. This is because the IP/UDP headers of a data message when unprotected using a wrong key fail to CRC check. On failure of the checksum, the data message is not delivered to the application.

In case of Enhanced Privacy, the key identifier is sent with the message and if the receiving radio does not have the key then it either remains muted (in case of voice message) or discards the data message. If the key value associated with the key identifier is different in the sender and receiver, due to a miss-configuration, then the voice transmissions will result in unintelligible audio and the data transmissions will be unsuccessful.

2.7.8 Keys and Key Management

In case of Basic Privacy, a radio is capable of holding only one Privacy Key. The same key is used to protect and unprotect voice and data transmissions over all the channels and for all call types: Group Call, Private Call, All Call, or Emergency Call.

In case of Enhanced Privacy, a radio is capable of holding up to sixteen Privacy Keys, where keys are associated with channels. The relationship between keys and channels is 1:0...n. (in other words 1 to 0 or 1 to many) "0" means that keys may be provisioned into the radio but are not associated with any channel. In this case, the keys are used to unprotect a received message but are not used by the radio to protect a transmission.

A Privacy Key is provisioned in a radio using a CPS. The keys are not readable, editable, or erasable by the radio user. Once a key has been chosen and programmed into a radio, the key cannot be extracted and viewed by CPS. It can only be retained or overwritten.

In case of Basic Privacy, a CPS user can select one of the 255 prescribed keys. These keys are referenced by a key index from 1 to 255. Each key index references a particular 16-bit key that is used for protecting over-the-air. There is no option for a "blank", "null", or "zero" key. In case of Enhanced Privacy, the valid range for the value of a Key is 1 to 1,099,511,627,774 (i.e. FFFFFFFF in hex). The Key values 0 and 1,099,511,627,775 (i.e. FFFFFFFF in hex) are reserved and should not be used.

MOTOTRBO does not support remote or over-the-air programming of keys into a radio. Keys can be programmed in a radio using only CPS. CPS supports loading of the value and identifier of a Key into a radio either manually or from a protected archive file (in case of Enhanced Privacy only). In case of getting the keys from a protected archive file, the CPS User selects the protected file and provides the password. The file is unreadable without a password. The CPS is capable of copying key(s) from one radio's archive into another radio's archive without the user needing to retype the key for each radio.

A customer may need to change one or more keys (in the case of Enhanced Privacy) with a set of new keys into a set of radios. Some of the reasons for changing keys are:

- Compromise of keys

- Security policy of the customer requires periodic update of keys
- Loss of a radio resulting in a concern that this may lead to compromise of keys or eavesdropping.

The easiest way to implement a key switchover is to gather all radios and re-program them at one go. But it may not always be possible to gather all the radios without seriously affecting day-to-day operations.

An alternate method is to create two zones where one zone is set to unprotected while the other is set to "protected". The key can be changed on the protected zone and the users shall use the unprotected zone until all radios have been updated. Once all radios have been updated, the dispatcher informs the fielded radios to switch zones. This allows users to communicate in clear until the all radios are provisioned, and then all the users switch keys at the same time.

A similar zone strategy can be used to perform periodic key set changeovers. For example, when one zone has January's keys and another duplicate zone has February's keys. On the first of February, the users switch to the February zone. Throughout February, the January zone is updated with March's keys and renamed to "March Keys". On the first of March, the users switch, and so cycle starts again. This makes sure that only two months of keys are compromised if a radio is stolen or lost.

2.7.9 Multiple Keys in a Basic Privacy System

Although a radio can only use one key in a Basic privacy system at a time, a Basic privacy system may utilize multiple keys to sub-divide a group into a set of groups. Note that this is not a recommended configuration, and some considerations need to taken into account, if the decision is made to utilize multiple keys in a system.

It is not recommended that Groups be sub-divided into smaller groups with the use of keys. This results in one sub-group of users hearing unintelligible audio (or digital warbles) when the other sub-group communicates. It is recommended that the users should be divided into Groups, and provisioned so that a user can not transmit nor receive on the other's Group. If users with different keys are allowed to communicate with Basic privacy enabled, for example via a protected Private Call, a key mismatch will occur and unintelligible audio will be heard. Although these users with different keys will never be able to communicate privately, they will be able to communicate when privacy is disabled.

For example, two different Groups are isolated by provisioning different privacy keys. When a user in each Group needs to communicate to each other via a Private Call, they must do it with privacy disabled. If a radio user needs to communicate with both Groups via an All Call, the radio user must transmit in clear mode so that both Groups can monitor. If users respond with privacy-enabled, the user who initiated the All Call only monitors the responses protected with a matching key.

If the system is utilizing data applications and must communicate through a control station to the application server, all radios on a slot must have the same key or they will not all be able to properly communicate with the control station. For similar reasons, it is not recommended to have radios without privacy capability, i.e. older software versions, in the same Group as radios with privacy capability. Since older radios are not provisioned with a Privacy Key, the audio will be muted. If radios with privacy capability need to communicate to radios without privacy capability, they will need to disable privacy before transmitting.

As a general rule, it is always recommended that groups with different privacy capabilities and settings be placed in different Groups and on different slots.

2.7.10 Data Gateway Privacy Settings

The privacy setting of a control station acting as the data gateway to the application server is very important for consistent data communications. This may even drive the privacy configuration of the rest of the system.

If a system contains some privacy-capable radios and some privacy-incapable (i.e. older software versions) radios then the control station must be privacy capable, but configured to transmit unprotected. This way, outbound messages can be received and processed by the older radios (not privacy capable). Note that the privacy capable radios send their data protected and the control station will be able to decode these messages, as long as it has the proper key.

In case of Basic Privacy, there can only be one key per channel (or slot). Since the control station can only contain one key, it cannot communicate privately to two different Groups utilizing different keys. If a Basic Privacy system utilizes multiple keys, those users must be divided onto two separate channels (or slots), each with their own control station utilizing the proper key. Setting the control station to privacy disabled will not solve this problem since incoming messages such as GPS or text messages may be protected using different keys and only one key can be used at the control station to unprotect. Therefore, although outbound messages would be functional, inbound messages would not be.

If users have the ability to toggle their privacy settings, it is acceptable to have the control station set to either privacy enabled or privacy disabled, but only if their provisioned keys match. If the control station is set to privacy enabled, and the radio is set to privacy disabled, one direction of the data communication will be protected and the other will be unprotected. Since radios set to privacy disabled will receive protected, and radios set to privacy enabled will receive unprotected, the communication path will work. If important data is being transferred to and from the fixed infrastructure, it is recommended that the control station should be set to "protected". This will guarantee that at least half of the data transmission will be private. Also, the system will be tolerant if fielded radios are set to privacy disabled.

It is recommended that all radios including control station should have same privacy settings. If the privacy setting is enhanced privacy then the control station should have the transmit keys of all the radios and all the radios should have the transmit key of the control station.

2.7.11 Protecting One Group's Message from Another

There may be a need for one Group's voice and data to be protected against another over the same channel (same frequency and same slot). There may be some radio users who are members of one or more of the groups. In this case, if a group not only wants to protect their communication from intruders but also from other groups then each group should use separate keys for protection.

The System Installer should make each group that need to be protected as "TX Group" for a personality. The relationship between a personality and a group is 1:1. The System Installer should associate a key to a personality. The relationship between a key and a personality is 1:1. And therefore the relationship between a key and a group becomes 1:1. If a radio 'X' wants to make a protected Private Call to a radio 'Y' and if both the radios are member of a group 'T' then the radio 'X' goes to a personality whose "TX Group" is 'T'. If there is no group where both the radios are member then it is not possible to send a protected message.

For a protected "All Call", the transmitting radio should go to a specific personality and the key associated with that personality is present in all the radios. For a protected Private Call, the transmitting radio should go to a specific personality and the key associated with that personality is present in the receiving radio.

2.7.12 Updating from Basic Privacy to Enhanced Privacy

It may not be possible for a System Installer to update all the radios from Basic Privacy to Enhanced Privacy in one session. In such cases, the System Installer instructs all the radio users to disable the Privacy feature and operate in clear mode. When instructed, the radio users disable the Privacy feature using the radio front panel. All the messages are transmitted in clear.

The System Installer updates the software of radios and configures the radios for Enhanced Privacy. Once all the radios are upgraded, the System Installer updates the software of repeaters and configures them for Enhanced Privacy. The control stations acting as the data gateway should also be upgraded.

The System Installer instructs all the radio users to enable the Privacy feature. The radio users enable the Privacy feature using the radio front panel. The control stations also enable privacy. All the messages are transmitted using Enhanced Privacy.

2.8 Repeater Diagnostics and Control (RDAC)

Repeater Diagnostics and Control (RDAC) allows a system administrator the ability to monitor and control repeaters within the system. The following services are provided:

1. Repeater Diagnostics

- Read Enabled/Disabled Status
- Read Analog/Digital Status
- Read Wide or Local Area Status
- Read Transmit Power (High or Low) Status
- Read Available Channels (including Currently Selected)
- Read Inbound RSSI
- Read IPv4 Address and UDP Port (required for connectivity)

2. Repeater Alarm Reporting

- Detect and Report Receiver Lock Detect Failure
- Detect and Report Transmitter Lock Detect Failure
- Detect and Report AC Power Failure
- Detect and Report RF PA/System Overheating
- Detect and Report RF Power Out
- Detect and Report High VSWR Detection
- Detect and Report RF PA Fan Failure Alarm (*only on the MTR3000*)
- Detect and Report EEPROM Corruption (*only on the MTR3000*)
- Detect and Report Low and High RF PA Voltage (*only on the MTR3000*)
- Detect and Report SCM Reference Incompatibility Alarm (e.g. SCM with TCXO in 800/900MHz band) (*only on the MTR3000*)
- Detect and Report FRU Incompatibility Alarms (e.g. PA and exciter are incompatible) (*only on the MTR3000*)
- Detect and Report Main Fan Failure (*only on the DR 3000, not applicable for the MTR3000*)

3. Repeater Control

- Change Enabled or Disabled Status
- Change Channels
- Change Transmit Power Level (High or Low)
- Reset Repeater
- Knockdown Repeater

The RDAC application can be configured to work over the network via IP or locally via USB.

When working over the IP network, the application communicates with all repeaters within an IP Site Connect or Capacity Plus system using the same link establishment process that the repeaters utilize. Therefore, it benefits from the existing link establishment and authentication utilized between repeaters. All services in the list above are available through the RDAC application.

When working locally, the RDAC application connects to a single repeater via USB. All services in the list above are available through the RDAC application. The repeater control services are not available via the USB interface through the RDAC application.

The user also has access to the repeaters external GPIO pins. External equipment (or existing remote adapters and desksets) can be configured to set or read the GPIO pins to allow access to the repeater control services as well as access to indications that a minor or major alarm has occurred. The access to these GPIO pins further allows the radio installer to utilize the alarm pin and enable/disable pin to create a redundant switch over configuration. Alarm Reporting and Control is available using the GPIO pins.

Note that any combination of RDAC connected over the Network, RDAC connected via USB, or connections via GPIO are supported.

The ability to change the repeater channel can be utilized to toggle channel parameters between predetermined settings. For example, if the repeater contains one channel that is in analog mode and another channel that is in digital mode, changing the channel between these channels essentially changes the mode from analog to digital. The same strategy can be used to toggle the wide area and local setting of a timeslot. One personality could be provisioned for two wide area channels, while the next has one wide and one local channel. Other channel parameters can be changed using the same strategy.

NOTE: When a repeater in Capacity Plus or LCP mode changes to an analog mode via RDAC, the repeater can no longer be accessed via RDAC.

It is important to note that many control operations require the repeater to perform a reset before processing the control operation. During the reset the repeater will not be able to service inbound transmissions from fielded radios. Also note that the repeater takes no consideration to the ongoing traffic when instructed to perform a control operation. In other words if a call is in progress (Group Call, Private Call, All Call, Emergency Call, data call, etc.) the repeaters perform the control operation and drop the call in progress. In addition, the IP connection between the repeater and the RDAC will be temporarily severed while the repeater is rebooting. The connection must be re-established before additional operations can be performed. This should be taken into consideration before performing any control functions on an active repeater.

In addition to the repeater reporting alarms to RDAC application and setting the GPIO alarm pins accordingly, it is important to note that it also takes action when major alarms are received. The repeater will perform a reset after a major alarm is reported as an attempt to clear the alarm. If the alarm is not clear after reset it will reset again. This will continue until the alarm is cleared or the repeater is locked (3 major alarms). Once 3 major alarms have been reported, the repeater will enter the Locked state and set the Major Alarm Pin. At this time all the LEDs on the Repeater front panel will be solid. While in the locked state, the repeater will not service any calls over-the-air. The RDAC application will display the locked state and have the ability to retrieve logs.

In order to exit the locked state, the repeater must be read and written to with the CPS to reset the major alarm counter. This is automatically done when CPS writes a codeplug to the repeater. Note that 3 major alarms almost certainly means that there is a hardware problem that should be addressed prior to clearing the locked state.

All MOTOTRBO repeaters (MTR3000) support the following alarms:

- Rx Alarm
- Tx Alarm
- Fan Alarm
- Power Alarm
- Temp Alarm

The following alarms are additionally supported by MTR3000 repeater only:

- Tx Power Alarm
- VSWR Alarm

NOTE: Revision A UHF B1 and VHF repeaters do not support any RDAC alarms. These alarms were only supported on Revision B and later, hardware.

Alarms are categorized as shown below:

- **Major Alarms** – Major alarms indicate hardware failures that prevent the repeater from functioning normally.
- **Minor Alarms** – Minor alarms are warning alarms causing the repeater to enter a disabled state, where it does not transmit, receive or repeat, but still responds to GPIO controls such as channel steering, alarms and diagnostics.
- **Mixed Alarms** – This alarm type could be major or minor, depending on the availability of a backup repeater and the type of the system configuration.

The list of major, minor and mixed alarms varies for different repeaters and repeater models. Refer to the RDAC application Online Help for further details.

2.8.1 Connecting Remotely via the Network

Connecting RDAC via the network allows access to all repeaters in an IP Site Connect or a Capacity Plus system. If a system has more than one wide area system (i.e. more than one Master repeater) then the RDAC application is required to know the static IP address and UDP port of each of the Master repeater. A single RDAC application supports up to eight IP Site Connect or Capacity Plus systems (i.e. eight Master repeaters). It will learn the addresses of the other repeaters through communication with each Master. Similar to repeater communication, the RDAC application should not require any specific firewall configuration. It will require the appropriate authentication be entered that is being utilized by the repeaters in the IP Site Connect system or Capacity Plus system. When connecting to multiple IP Site Connect or Capacity Plus systems, RDAC must be configured with a different UDP port for each Master.

Although the network connection is designed for “connecting remotely”, a local network connection in close proximity to the repeater is supported.

The RDAC-IP application can communicate with enabled and disabled repeaters, knockdowned repeaters, digital and analog repeaters, and wide and local area repeaters. As long as they are on the network and communicating with the same Master repeater that the RDAC application is communicating with, they will be controllable via the application.

It is important to note that over-use (or misuse) of RDAC diagnostics could cause strain to the network link and therefore, cause voice degradation. For example, numerous requests for status or error logs could cause excess traffic on a network link which could delay voice through the network. Please review the network bandwidth considerations in later chapters.

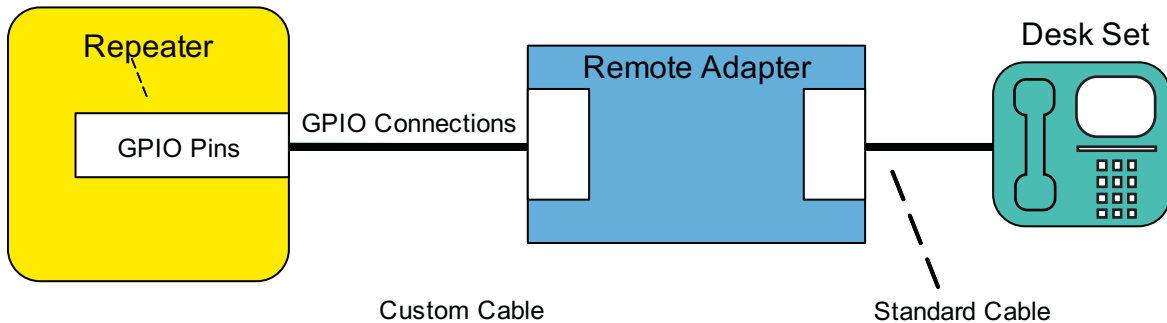
2.8.2 Connecting Locally via the USB

Connecting RDAC locally via the USB provides the user with all the services of RDAC but only allows access to the local repeater. This connection is very useful if the repeater is in close proximity to the dispatch center or while performing service or trouble shooting locally.

2.8.3 Connecting Locally via GPIO Lines

Connecting locally via GPIO lines only allows access to the local repeater. The user has access to the repeater control services as well as access to indications that a minor or major alarm has occurred from the GPIO lines. The GPIO lines can be configured in various ways and can be integrated to communicate with a variety of external equipment.

A custom cable is needed to connect the repeater accessory port to the outside control device. Below is an example of one configuration. Note that the pin out of the cable is dependent on how the GPIO lines are provisioned via CPS.



2.8.3.1 RDAC Local Settings Rear Accessory Port CPS Programmable Pins

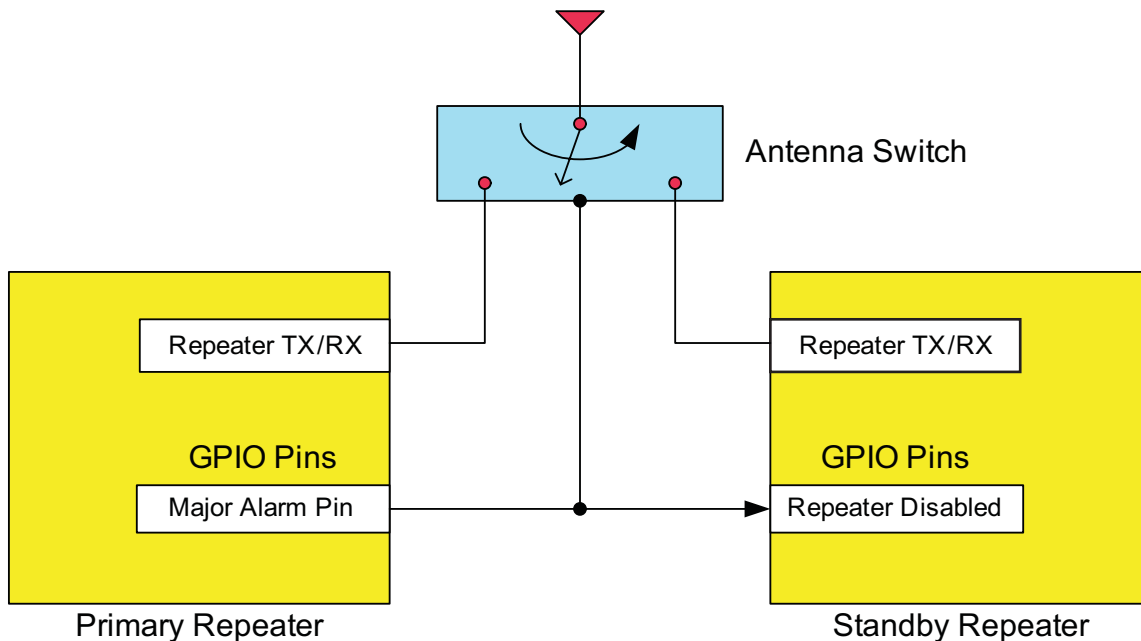
The rear accessory also has some pins that can be programmed to specific input/output functions. These pins can be programmed to either active high or low. See the table below for descriptions of these functions available for each GPIO pin.

CPS Programmable Pins	Description
Major Alarm (Locked State)	This output pin is used to report a major alarm has happened 3 times, been reset three times, and the repeater is in now locked state.
Minor Alarm	This output pin is used to report minor alarm(s) is happening on the repeater.
Repeater Disable	Asserting this input pin triggers the repeater to enter disabled state. In this state, the repeater can not execute repeat functions. Releasing this input pin will revert the repeater back to enabled state where the repeaters can start repeating calls.
Tx Power Level High	Asserting this input pin triggers the repeater to change the TX power level to be high. Releasing this input pin will revert the repeater back to TX low level low.
Repeater Knockdown	Asserting this input pin triggers the repeater to temporarily enter Repeat Path Disable Mode. In this mode, the repeater's transmitter will only be enabled by the external PTT and the audio source will be the Tx Audio Input pin. Releasing this input pin will revert the repeater back to Normal Mode where the repeaters transmitter can be activated by a qualified RF signal on the receive frequency. *Note that repeater knockdown is not supported in digital mode. *In Dynamic Mixed Mode system, this feature is not supported during an ongoing digital transmission.
Channel Change	There are up to 4 pins that can be configured and used for channel change. The repeater can support up to 16 channels. Asserting this input pin represents 1. Releasing this input pin represents 0. 0000 represents first channel, 1111 represent the last channel.

2.8.4 Redundant Repeater Setup

By using the alarm feature and control feature together, it is possible to setup redundant repeaters. So that when one repeater fails, the standby repeater can take over the repeat function.

Before installation, both repeaters are programmed with the same channel information. The installer configures one repeater as primary repeater and the other one as standby repeater. For the primary repeater, the installer configures one GPIO pin for major alarm reporting and configures the pin's polarity. For the standby repeater, the installer configures one of its GPIO pins as repeater disabled control input pin and its polarity opposite of the primary repeater's alarm pin polarity. When the primary repeater's alarm pin becomes active it deactivates the disabled pin and the standby repeater becomes enabled. The antenna system is connected to the primary repeater and also connected to an antenna switch. The antenna switch is external to the repeater hardware. The installer connects the primary repeater's alarm pin (output pin) and standby repeater's repeater disable pin (input pin) and the antenna switch all together. The installer powers on the primary repeater first and verifies it is working with no major alarm reported. Then the installer powers on the standby repeater.



When a major alarm happens three times in the primary repeater and the repeater enters the locked state, the primary repeater will set the major alarm GPIO pin to active level. The standby repeater detects the disable pin is changed to inactive level and it becomes enabled. The antenna switch is also triggered which changes the antenna to the now active repeater.

Once the fault in the primary repeater is addressed, the repeater is removed from the locked state and reset, the primary repeater will be enabled and again become the primary repeater. The standby repeater will become disabled.

If repeaters are operating in IP site Connect or Capacity Plus mode, they must both have existing IP network connections and be communicating with the Master. Since they are both on the network, they must have different IP Addresses. Although the system will not send voice to a disabled repeater, it will require link management. In IP Site Connect, ensure taking this into consideration when planning for network bandwidth, See "Required Bandwidth Calculations" on page 274 for details on calculating the bandwidth for IP Site Connect.

NOTE: A redundant repeater connected to the IP Site Connect system or Capacity Plus system counts in the total number of supported peers.

It is also important to note that when setting up the Master repeater of an IP Site Connect or Capacity Plus system into a redundant configuration, the network link must also be switched with external hardware similar to that of an RF Antenna. In this case, the IP Address of both the Primary and the Standby repeaters must be the same since all the Peers communicate with it using this IP address. As they have the same IP Address, they cannot be connected to the network at the same time. This also means that the standby repeater cannot be contacted via a network RDAC application while not in the primary repeater role since it is not connected to the network. Because the two devices have the same IP address but different MAC addresses, Peers may not be able to contact the Master repeater until the router and repeater ARP tables are updated. Depending on router configuration this could take up to 15 to 20 minutes. It is recommended to consult the Network Administrator for details on setting the ARP interval within the customer's network.

2.8.5 Dual Control Considerations

It is possible to have RDAC connected locally, over the network, and connected via GPIO lines simultaneously to a single repeater. In this case, the repeater can be controlled through GPIO as well as through the network. The user should be aware that it is not recommend using both methods to control the repeater at the same time. Note that after a control command has being executed from RDAC application, the control console connected via GPIO may no longer indicate the state of the repeater correctly since it will be reading the state of the hardware pin rather than the internal repeater state. In other words if the external application has pulled a pin low or high, the repeater cannot change the level of that pin after RDAC has made a change.

2.8.6 General Considerations When Utilizing the RDAC Application to Set Up the Network Connection

When utilizing the RDAC application to communicate with multiple IP Site Connect or Capacity Plus systems, each system's network topology has to be considered independently. This is important because some connections may utilize a LAN configuration (See "Local Area Network (LAN) Configuration" on page 223), while others utilize a WAN configuration (See "Wide Area Network Configuration" on page 224). The main difference being that local area configurations utilize the master repeater's local IP address, while wide area configurations utilize the wide area IP address.

Connecting a single RDAC application to numerous systems that were previously residing on the same LAN, VPN, or WAN requires minimal configuration change. The RDAC application needs to be configured with each master repeater's IP address and a unique UDP port for each system. This is because the IP address of the master repeater that can be reached at wide or local area IP address, does not change.

When connecting a single RDAC application to systems that were previously residing on independent LANs or VPNs, the following configuration options can be considered:

1. Combine both networks into one LAN or VPN, which most likely requires changing repeater IP addresses in one of the networks.
2. Connect to each LAN through a WAN. As it is now a wide area configuration, this requires some changes because all peers (including the RDAC application) are now required to utilize the master repeater's wide area IP address, instead of the local IP address.
3. Place the RDAC on the LAN of one of the sites. This requires one system to communicate using the local IP addresses, while the others, the wide area IP address.

In all of the options mentioned above, each system must utilize a unique UDP port configured via the RDAC application.

An IP Site Connect system supports analog, and digital conventional channels. A Capacity Plus system supports only Capacity Plus channels. A Linked Capacity Plus system supports only LCP channels.

If a channel is changed to a channel not supported by the system, the channel's repeater does not reconnect to the system, and the repeater will not be visible in RDAC. Therefore, it is strongly **not** recommended to change a channel's mode to an unsupported mode of the system.

2.9 IP Repeater Programming (IRP)

IP Repeater Programming allows a system administrator to provision and to upgrade repeaters within the system utilizing the IP network. This feature is supported on repeaters equipped with a 32 MB memory running on firmware version R01.07.00 or later. Additionally, the Master repeater of a system configuration must be running on the same firmware version as well. The following services are provided:

1. Repeater Configuration

- Read the current repeater configuration
- Write a modified repeater configuration

2. Repeater Upgrade

- Upgrade repeater firmware and/or codeplug version

3. Repeater Feature Enable

- Activate a purchased feature on the repeater

2.9.1 System Configuration for IRP Support

Connecting the Customer Programming Software (CPS) to an IP network allows the CPS to access all repeaters in an IP Site Connect system and a Capacity Plus system, utilizing their backend network connections. The CPS can also leverage IP-based access to Dynamic Mixed Mode (DMM) or Single Site repeaters by connecting the repeaters to an IP network and configuring each one to act as a single site Master.

Prior to using IRP, the feature must be configured with the repeater locally connected via USB to the CPS application. The CPS can communicate with repeaters of multiple modes; enabled, disabled, knockdown, digital and analog. The primary requirement is that the repeater must be on an IP network and communicating with a Master repeater or acting as one. However, the CPS can only connect to one Master at a time and can only program a single repeater at a time.

Once the repeater has been properly configured and installed in a networked configuration, the CPS needs to be directed to the IP address of a Master repeater as defined by the repeater configuration. If a system has more than one wide area system (i.e. more than one Master repeater), then the CPS is required to know the static IP address and UDP port of each of the Master repeater. The CPS then learns the addresses of other repeaters connected to the Master once the application connects to the Master.

Unlike repeater-to-repeater communication, the CPS application may require firewall configuration. This is to allow the repeater to make a secure connection to the CPS application on the PC. If the PC resides behind a firewall, the firewall will need to be configured to allow inbound traffic (repeater-to-CPS) on a specific CPS TCP port that is configurable in the application. Upon initiating an IRP action, the CPS communicates its opened TCP port number to which the repeater attempts to connect. If multiple CPS applications (different PCs) are behind a single firewall, each application must use a unique TCP port number, and the firewall must be configured to correctly route TCP traffic to the corresponding application.

To authorize access to the repeater, codeplug password authentication on a per repeater basis, is optional and configurable via CPS. The codeplug password can be provisioned in the repeater prior to using this feature.

NOTE: Using the CPS to provision or upgrade a repeater will temporarily disable the repeater until the operation is completed. The duration of the disabled repeater depends on the network bandwidth and amount of data that is transferred to complete a selected operation.

2.10 Over-the-Air Radio Programming (OTAP)

When the need to program a radio or a fleet of radios occurs, the process can take place at the customer location or the dealer's shop. However, the process of programming radio parameters, features, contact lists, and others can be troublesome.

Some issues encountered include – difficulty to locate all radios, delays waiting for radios to be brought in for programming, radios mounted in vehicles, operation and downtime during programming, wasted time traveling to/from customer location, only a limited number of radios can be programmed simultaneously, and so on. It is often difficult for dealers to extract value for this. Therefore, radio programming is viewed as a hassle, time consuming, and inefficient.

To support this need, the MOTOTRBO CPS now offers the following services with software version R02.10.00 or later:

- Writes and reads radio configurations over-the-air
- Manages up to 5000 radio configurations
- Group and individual archive management
- Application and radio mutual authentication
- Synchronized configuration switchover
- Radio user receives one time option to accept or delay
- Scheduling of over-the-air operations
- Unmanned batch processing of numerous over-the-air operations
- Remote client capability
- Multi-customer and system capable
- Optimized performance using Presence Services
- Compressed and differential configuration transfer
- Designed to allow voice traffic priority while transferring
- Utilizes existing over-the-air encryption
- Session logging
- Historical reporting

The above features are available in all digital architectures including:

- Direct Mode (12.5e and 6.25e)
- Single Site Repeater
- IP Site Connect
- Capacity Plus
- Linked Capacity Plus

The services that are supported are not available to the ADP developers.

The following features and services are specifically **not** supported by OTAP:

- radio software upgrades
- language packet updates
- radio tuning parameter updates
- device recovery

- update or download voice announcement files
- radios prior to software version R02.10.00
- over-the-air repeater programming (**only IP Repeater Programming is available**)
- programming while in Connect Plus or Passport Mode
- programming while in Analog Mode

2.10.1 Basic Deployments of OTAP Software

There are five basic deployments of the CPS for OTAP. These are used as the building blocks for more complicated configurations. The configurations are:

- Local Single Channel Configuration
- Local Single Channel Configuration with Presence Notifier
- Remote Client Configuration
- Remote Client Configuration with Multiple CPS Servers
- Remote Device Programmer Configuration
- Multi-Channel Configuration

2.10.1.1 Local Single Channel Configuration

The CPS utilizes the existing MOTOTRBO IP data service to communicate with the field radios over-the-air. This setup requires a radio to be configured as a control station, connected to the CPS PC via a USB cable and utilized as the data gateway into the radio system. No other over-the-air data application is supported on the same PC as the CPS.

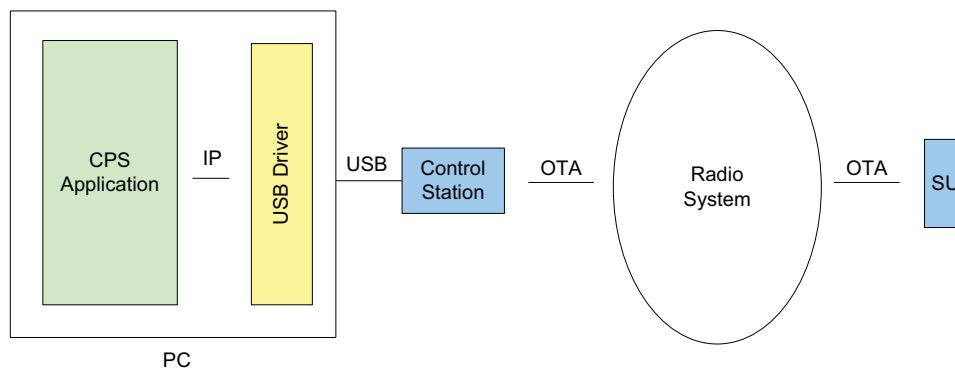


Figure 2-20 Single Channel Non-Remote CPS Application Configuration

2.10.1.2 Local Single Channel Configuration with Presence Notifier (PN)

The CPS can utilize the Presence Notifier (PN) to optimize over-the-air operations. If utilized, the PN must be installed on the same computer as the control stations. Without the PN, the CPS attempts to contact each radio one by one, regardless if they are present on the system or not. For optimal performance, it is recommended that the presence service be utilized.

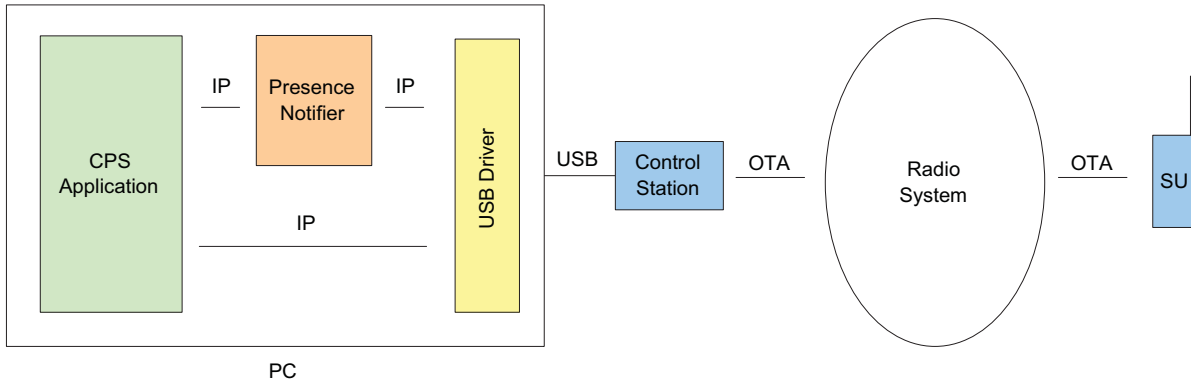


Figure 2-21 Single Channel Non-Remote CPS Application with Presence Notifier Configuration

The CPS consists of three major components:

- **CPS Client:** Main User Interface
- **CPS Server:** Storage of Configurations
- **CPS Device Programmer:** Communication to System via the Control Stations

NOTE: The “CPS Device Programmer” is also known as the “CPS Proxy”.

In local deployments, all three components can be installed at the same time on the same computer. This is most useful when the system administrator is within RF coverage of the radio system.

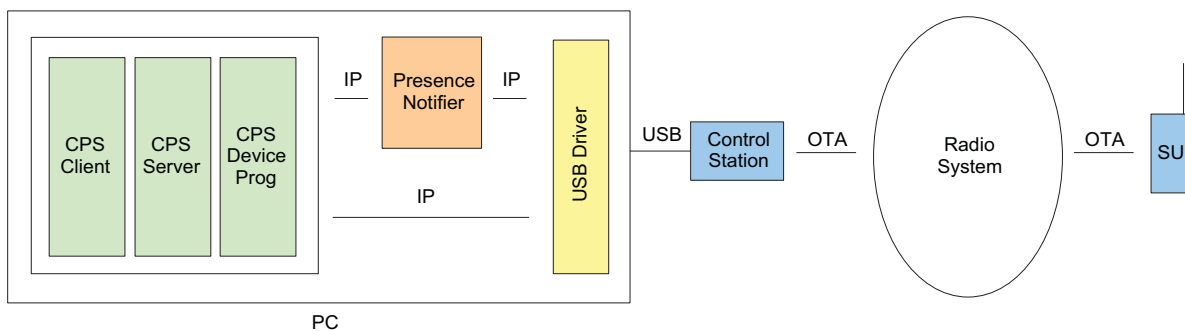


Figure 2-22 Single Channel Non-Remote CPS Application with Presence Notifier Configuration (CPS Client, CPS Server, and CPS Device Programmer Shown)

2.10.1.3 Remote Client Configuration

If the system administrator is not within RF coverage of the system, it is possible for the CPS Client to be installed on a different PC and remotely access the CPS Server and Device Programmer over an IP network. Direct network connectivity is required between the CPS Client and the CPS Server, therefore a VPN must be used or they must reside on a private network. The CPS Server, CPS Device Programmer, and control stations are located on the same PC.

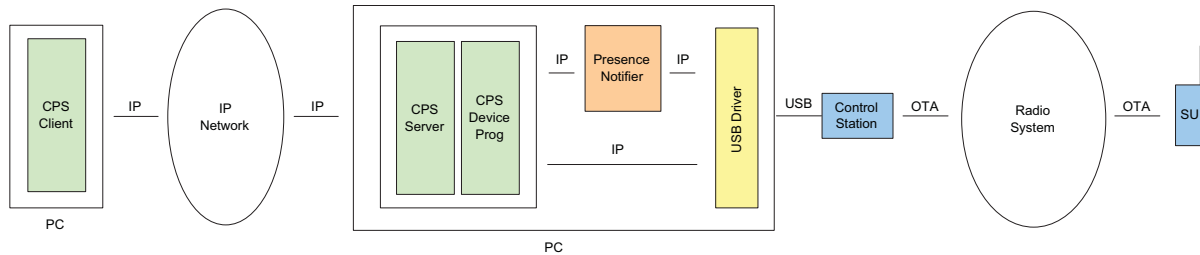


Figure 2-23 Remote CPS Client from CPS Server

2.10.1.4 Remote Client Configuration with Multiple CPS Servers

The CPS Client can connect to any CPS Server, but only one at a time. This allows the system administrator access to different customers with non-overlapping RF coverage from one location. Although the CPS Server, Device Programmer, and control stations must be within RF coverage, the CPS Client does not. Each CPS Server manages its own set of radios. Direct network connectivity is required between the CPS Client and the CPS Server; hence a VPN must be used or they must reside on a private network. However, it is not necessary for the network connection between the CPS Client and the CPS Server to be up all the time. The system administrator can set up a job with one CPS Server, and then disconnect. The CPS Server continues to execute.

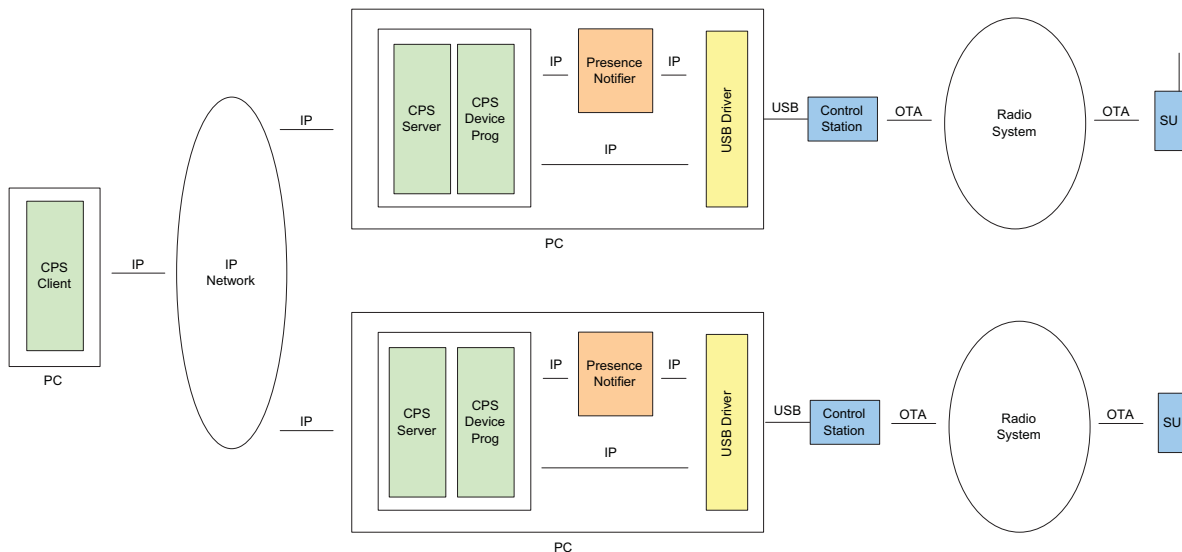


Figure 2-24 Remote CPS Client with Multiple CPS Servers

2.10.1.5 Remote Device Programmer Configuration

The CPS Server can support up to 128 CPS Device Programmers. This allows the system administrator to have all radios in one CPS Server and have access to different sites with non-overlapping RF coverage. The Device Programmer and control stations must be within RF coverage of their corresponding systems, which is unnecessary for the CPS Server. The CPS Client can also be remote from the CPS Server. Stable, direct network connectivity is required between the CPS Server and CPS Device Programmers. Therefore a VPN must be used, or they must reside on a private network. If a stable, direct network connectivity is not possible, a Remote Client Configuration with multiple CPS Servers installed on the same PC as the Device Programmers, may be required.

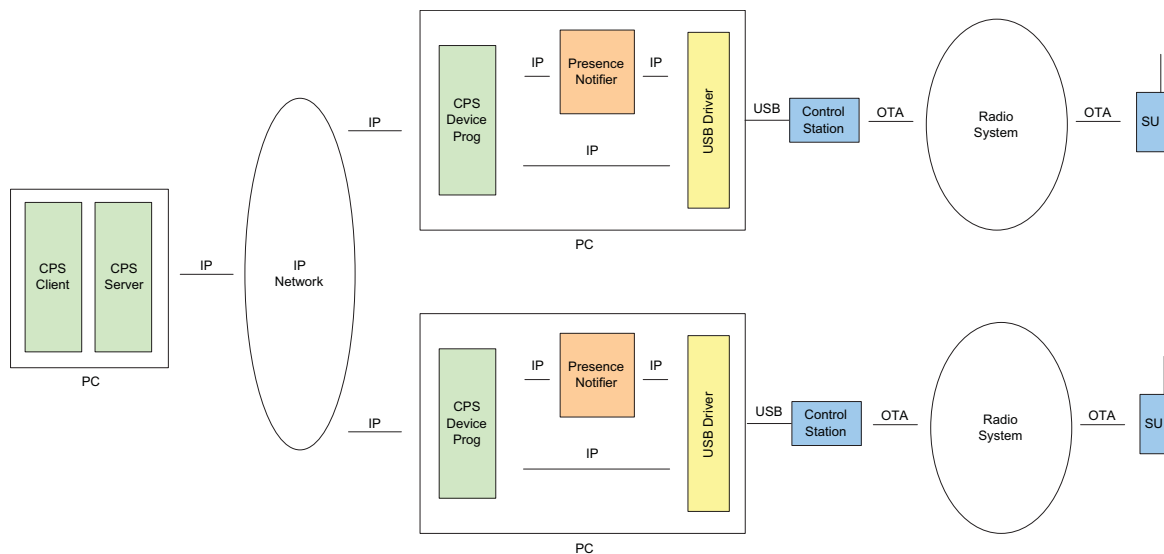


Figure 2-25 CPS Server with Remote Device Programmers

If utilizing the Presence Notifier, the Device Programmer where the target radio has registered, services jobs for that radio. A Device Programmer can also be configured to only service a specified set of radios. This is accomplished by setting the radios to a group within the CPS Server, and then configuring the Device Programmer to service the group.

2.10.1.6 Multi-Channel Configuration

Multiple conventional channels are supported per CPS Device Programmer in both local and remote configurations. This requires a control station per channel, up to 16 are allowed. Because radios can move from channel to channel, this configuration requires the MCDD and Presence Notifier to be installed on the same PC. The MCDD tracks the location of the radios as they move from channel to channel as they register with the PN and updates the routing accordingly.

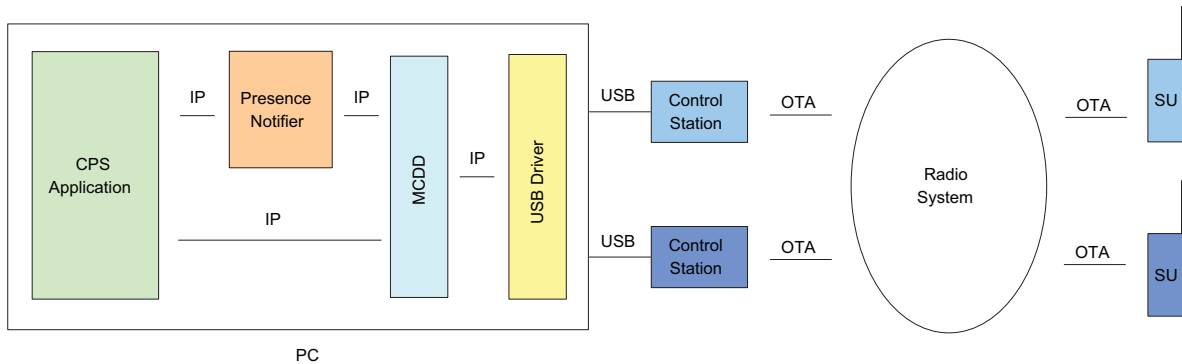


Figure 2-26 Multi-Channel Non-Remote CPS Application Configuration

It is not recommended to utilize multiple control stations without the MCDD and PN. There is no method for CPS messages to be properly routed on the appropriate channel. Specific routing can be added in the PC, but this means radios can only be contacted on a specific channel. Another option is to configure the PC to broadcast on all channels, but this is an extreme waste of bandwidth.

The CPS works the same regardless if the control stations are communicating in direct mode, single site repeater mode, dynamic mixed mode, IP Site Connect mode, Capacity Plus mode, or Linked Capacity Plus mode.

2.10.2 Process Flow for Over-the-Air Programming

There are five high level steps for OTAP:

- Initial programming of the essential communication parameters into the radio via wired CPS
- Populating the CPS Server with the current radio configurations
- Modifying the radio configuration within the CPS Server
- Delivering the modified radio configurations to the radios
- Applying (or switching over) the delivered radio configurations

2.10.2.1 Initial Programming of the Essential Communication Parameters into the Radio via Wired CPS

Prior to the first time a radio is programmed over-the-air, it must be provisioned with CPS via a wired connection. All the essential communication parameters required for the radio and the CPS to communicate with each other on the system must be programmed. This includes:

- Radio software upgrades
- System and channel parameters
- Data parameters
- Radio ID
- OTAP authentication key

2.10.2.1.1 Radio Software Upgrades

Any radio software upgrades required for over-the-air operation must be updated via configuration software in a wired operation. Radio software upgrades are not supported over-the-air.

2.10.2.1.2 System and Channel Parameters

All system and channel parameters required for the radio to communicate with the system must be configured prior to the first operation over-the-air. This includes the standard communication parameters such as frequencies, color codes, channels, talkgroups, voice privacy keys, and so on. If the radio cannot communicate on the system properly, the CPS will not be able to contact it.

2.10.2.1.3 Data Parameters

CPS utilizes the MOTOTRBO data service to communicate with the radios. This means that all communication parameters required for data capability must be provisioned prior to the first operation over-the-air. This includes the PN parameters.

2.10.2.1.4 Radio ID

The radio ID must be programmed prior to the first over-the-air operation. There are rules about the data service and the uniqueness of the radio's radio ID that must be followed.

In conventional configurations, the data service requires every radio on a logical channel to have a unique radio ID. If a data application is communicating on multiple channels, and an MCDD and PN are present, every radio communicating through the PN and MCDD must have a unique radio ID, even if they are on different logical channels.

The CPS communicates through a PN and a MCDD to multiple channels, therefore every radio across those channels must have a unique radio ID.

If utilizing a centralized CPS Server to communicate with multiple systems using Remote Device Programmers, every radio across those systems must have unique radio IDs. If this is not achievable, then OTAP sessions to systems with duplicate IDs have to be executed sequentially – only one at a time, or a separate CPS Server must be utilized for each system. Ultimately, end-

user fleets should be reconfigured to unique IDs so that multiple OTAP sessions to multiple customer fleets can be processed simultaneously.

In Capacity Plus and Linked Capacity Plus, every radio must have a unique radio ID. If one customer contains multiple Capacity Plus systems, then every radio across those systems must have unique radio IDs. If this is not achievable, then one customer must have multiple CPS Servers, one for each Capacity Plus system. This only limits the ability to connect to both systems at the same time.

2.10.2.1.5 Over-the-Air Programming Authentication Key

The only new OTAP parameter required to be programmed in the radio is the OTAP authentication key and key ID. It must be present in both the radio and in the CPS prior to the first over-the-air operation. The OTAP authentication key can be changed over-the-air if the current key in the radio matches the previous key entered in CPS.

2.10.2.2 Populating the CPS Server with Current Radio Configurations

After the radios have been initially programmed with wired CPS, their configurations must be populated into the CPS Server. There are three different ways to populate the CPS Server with the current radio configurations:

- Archive importing
- Entering radio identity information
- Radio identity file importing

2.10.2.2.1 Archive Importing

Radios can be populated into the CPS Server by importing the saved archive as each radio is programmed with its initial programming. This requires the CPS to have IP network connectivity to the CPS Server during the initial programming.

If IP network connectivity is not available while initially programming the radios, each radio archive can be saved and imported into the CPS Server when connection is available. One archive must be saved and imported for each radio since their specific identity information must be available in order to properly identify them in the CPS Server.

The saved archive to be imported should contain the over-the-air authentication key and enhanced privacy keys that were entered in CPS prior to programming the radio via the wire. These are not available if a radio is only read with wired CPS since these cannot be retrieved from a radio. If not within the imported archive, the keys have to be entered into the CPS prior to first over-the-air delivery.

NOTE: The initial retrieval or delivery over-the-air is not differential after importing an archive. For large codeplugs, it is recommended to perform a scheduled wired retrieval or delivery prior to the first over-the-air operation to minimize transfer time.

2.10.2.2.2 Entering Radio Identity Information

Radios can also be entered one at a time into the CPS Server. This requires the system administrator to know all identification information of the radio including the serial number, radio ID, common air interface ID (CAI), OTAP authentication key ID and OTAP authentication key value.

2.10.2.2.3 Radio Identity File Importing

If populating numerous radios at one time, a Radio Identity File may be used. The Radio Identity File is a Comma Separated Value (CSV) file that contains a list of radios each containing the serial number, radio ID, CAI, OTAP authentication key ID and OTAP authentication key value. An example file can be found in the CPS install directory.

2.10.2.2.4 Performing a Configuration Retrieval Operation

The CPS allows scheduling of multiple radio configurations to be retrieved unattended. The CPS starts the retrieval at the scheduled time and continues until all selected radios are either complete, errored, or cancelled. It is recommended that over-the-air operations are scheduled during times of low traffic in order to minimize the impact on system performance.

NOTE: After importing a radio into the CPS Server, a scheduled over-the-air or wired retrieval operation is required. For large codeplugs, it is recommended to perform a scheduled wired retrieval or delivery prior to the first over-the-air operation to minimize transfer time.

The retrieval mechanism over-the-air supports CPS data and voice to coexist, although system performance may be degraded slightly. The mechanism can also handle radios that enter and leave RF coverage. The retrieval operation utilizes the PN to optimize the delivery.

2.10.2.2.5 Recommended CPS Server Population Method

There are numerous methods to initially populate the CPS Server. Most dealers can quickly determine which method aligns the best with their standard practices.

The following steps are considered the most optimal CPS Server population method:

1. Update the firmware (if required) via wired CPS.
2. Read and save the codeplug via wired CPS.
3. Import the saved codeplug into the Radio Management.
4. Assign the proper radio ID, CAI, OTAP authentication key ID and OTAP authentication key value.
5. Select an appropriate radio template.
6. Schedule a wired delivery of the new parameters.

After a successful wired delivery, the radio should be completely synchronized and ready for use on the system, and for its next over-the-air programming. These steps should be followed for each radio.

If the CPS Client, Server, and Device Programmer are all on the same computer, these steps can all be performed without disconnecting the radio from the computer. The device programmer should be configured via a wired connection during these steps. If the selected template has enhanced privacy enabled, the enhanced privacy key values must be populated in order for the delivery to be successful.

2.10.2.3 Modifying the Radio Configurations within the CPS Server

Once populated in the CPS Server, the radio configurations are modified using the classic CPS interface. A radio entry in the CPS Server references a configuration. The referenced configuration, referred to as a template, can be unique to the specified radio, or can be a configuration referenced by numerous radios. Radio identity information is specific to the radio, while other parameters in the template are shared.

When a radio's configuration is updated, the status gets updated to "Codeplug Modified". This means that the configuration needs to be delivered to the radio over-the-air.

If the radio user is allowed to make changes via the radio front panel, it is important to understand that these updates are not retained after a delivery. The configuration in the CPS Server overwrites what is in the radio when delivered. Similar to how wired CPS functions today, the system administrator must read radios over-the-air first, make individual updates to each, and then deliver the new configurations in order for the previous changes to be retained. If using a single configuration (a template) for numerous radios, there is no way to retain any individual changes the radio users may have made. All radios are updated to match what is in the template, with the exception of the radio identity information.

NOTE: Programming radios that are managed within the CPS Server with an unmanaged wired CPS causes the radio to be out of sync with the CPS Server. This causes the next over-the-air operation to take a longer time since the entire configuration must be retrieved or delivered.

It is important to take special care when changing parameters that may break communication between the radio and the control stations used by the CPS Server. For example, accidentally changing the frequencies of the channel used for OTAP communication results in the CPS no longer being able to communicate with that radio. The radio must be programmed via the wire in order to recover.

If changing parameters such as radio ID and OTAP authentication key ID and value over-the-air, the previous known values are used to deliver the new values. If these values become out of sync (possibly due to an unmanaged wired write of a radio), the **Reset Identifiers** feature should be utilized. Reset Identifiers allows the values used to communicate with the radio (in contrast to the new values) to be set within the CPS Server. If these values are unknown, the radio must be programmed via the wire in order to recover.

2.10.2.4 Delivering the Modified Radio Configurations to the Radios

Once the updates have been made to the radio configurations within the CPS Server, their status gets updated to "Codeplug Modified". This means that the configuration needs to be delivered to the radio over-the-air.

The CPS allows scheduling of multiple radio configurations to be delivered over-the-air unattended. The CPS starts the delivery at the scheduled time and continues until all selected

radios are either complete, errored, or cancelled. It is recommended that over-the-air operations are scheduled during low traffic in order to minimize the impact on the system performance. The delivery mechanism over-the-air allows for voice to coexist with the CPS data, although system performance may be degraded slightly. The mechanism can also handle radios that enter and leave RF coverage. It utilizes the PN to optimize the delivery.

The time it takes to deliver a configuration to a set of radios is dependent on the number of radios and the amount of changes to the configuration currently in the radio.

A pacing option is available to add additional delay to the delivery process. This is useful when delivery time is not important and it is desirable to minimize impact on the system performance. The pacing option is set to zero unless manually changed in the CPS Device Programmer.

2.10.2.5 Applying (or Switching Over) the Delivered Radio Configurations

A delivery has an option to simply deliver the new configuration without applying it, or to apply it immediately after delivery. Applying the configuration is known as a “switchover”. **When changing critical communication parameters, it is recommended that the new configuration is delivered to all the radios first, and then a separate switchover is delivered to the same set of radios.** This minimizes the downtime by applying all configurations at the same time. If making minor changes to the configuration, for example address book entries or button configurations, it is acceptable for each radio to apply the changes immediately as they are delivered. Although the first radio may end up receiving the address book before the last radio, there would be little impact on the system operation. In contrast, if updating a critical communication parameter like transmit or receive frequency, the first radio is out of communication with the last radio until the last radio receives its programming.

2.10.2.5.1 Delay Option and the Switchover Timer

A configuration switchover has the option for a max delay timer, also known as the switchover timer. The switchover timer is the maximum duration the radio waits after receiving the switchover message before performing the switchover. The switchover timer is set in the radio management settings and affects all scheduled switchovers.

If the switchover timer is set to zero, there is no prompt at the radio, and the switchover occurs immediately upon receiving the switchover message. If the value is greater than zero, the radio user receives a prompt to accept or delay the switchover. If accept is selected, the radio immediately resets and applies the changes. If there is no selection or a delay is selected, the radio continues to operate on the old configuration until the switchover timer expires, at which time the radio resets and applies the changes. If in an emergency or in a voice call when the switchover timer expires, the radio delays the switchover until the emergency is cleared or the voice call is over. If at any time while the switchover timer is running and the radio user cycles power, the configuration is applied on power up.

Because radio users have the option to accept or delay, it is not recommended to have a large switchover timer when changing critical communication parameters. Otherwise the first radio applies its changes well before the last and results in possible communication disruption.

2.10.2.5.2 Presence Registration Suppression

If switching over many radios independent of the delivery and utilizing a zero value switchover timer, the radios may be reset within a short duration of each other. This may result in radios sending their presence registration, also known as their automatic registration service (ARS) message, within a short duration of each other, which may result in channel blocking. There is an option available in the CPS to enable or disable the radio from sending a presence registration immediately after a switchover.

If making changes to the radio configuration that does not affect the channel assignments, like address book entries or button layout, it is not necessary to re-register with the PN. Therefore presence registration can be suppressed after a switchover.

If making changes to the radio configuration that affects the channel assignments, like adding, changing or removing channels, it is necessary to re-register with the PN. Therefore presence registration should not be suppressed after a switchover.

If making changes to the presence server address, the presence should not be suppressed.

2.10.2.5.3 Access to the Last Modified Date and Time via the Radio Menu

The radio user can access the radio menu to see the date and time the configuration was modified. This represents the date and time the codeplug package was compiled by the device programmer just prior to delivery.

2.11 Voice Operated Transmission (VOX)

MOTOTRBO provides the ability for hands-free radio transmissions with select radio accessories.

2.11.1 Operational Description

Voice Operated Transmission (VOX) monitors the accessory microphone for voice activity. When voice is detected, the radio is keyed-up and the voice is transmitted. When voice is no longer detected at the accessory microphone, the radio is de-keyed.

2.11.2 Usage Consideration

There are several considerations that should be made when VOX is used. First, VOX is designed to key-up and transmit whenever voice is detected. This means that every time the operator speaks the radio will transmit. If the radio operator is in close proximity to another person, the radio may detect the other person's voice and begin transmitting. The successful use of VOX requires the radio operator to be aware of any possible audio sources that may inadvertently cause the radio to transmit at an undesirable time.

Second, the use position of the VOX accessory is an important factor in using VOX successfully. The radio operator should position the accessory so that it can pickup the operators voice with a minimal amount of ambient noise.

Additional consideration is needed as outlined in the following sections.

2.11.2.1 Suspending VOX

In those situations when VOX may not be desired, the radio operator can temporarily suspend VOX by pressing PTT. The radio will immediately suspend VOX and key-up the transmitter. Traditional (i.e. non-VOX) radio behavior will be used for any following transmissions. VOX operation will be resumed if the channel is changed (and changed back), the radio is power cycled, or the user re-enables VOX using the menu or a designated programmable button.

To disable VOX on a channel so that VOX behavior does not resume after a power-cycle or channel change, the menu or the designated programmable button must be used.

2.11.2.2 Talk Permit Tone

When VOX is used in conjunction with the Talk-Permit-Tone (TPT), the expected behavior of the radio should be understood. When TPTs are disabled the radio operator may begin speaking and the radio will immediately key-up and transmit the entire phrase uttered by the radio operator. However, when TPTs are enabled the radio operator must use a *trigger word* to key-up the radio. The trigger word will not, in most cases, be transmitted. After uttering the trigger word, the radio operator should wait until after the TPT is heard to begin speaking.

2.11.2.3 Emergency Calls

When a radio operator presses the Emergency Alarm button on a VOX-enabled channel, VOX is temporarily suspended so that the radio operator can handle the emergency situation. VOX operation will automatically resume once the emergency has been cleared. If at any time during the emergency the radio operator presses PTT, VOX operation will not automatically resume after the emergency is cleared. See “Suspending VOX” on page 124 for instructions on how to resume VOX.

2.11.2.4 Transmit Interrupt

Because of the long delay involved with interrupting a voice transmission that translates to large amounts of audio truncation in a radio configured for VOX operation, VOX is not compatible with the Transmit Interrupt features (specifically, Voice Interrupt and Emergency Voice Interrupt). Accordingly, for a radio that is provisioned to transmit interruptible voice, VOX is prevented from operating. Radios should not be provisioned with VOX and either Voice Interrupt or Emergency Voice Interrupt features on the same channel.

2.12 Lone Worker

For a radio user who is operating machinery, carrying out a security patrol or working in a plant alone, the Lone Worker feature provides a way to remotely monitor, if a user has stopped activity.

The Lone Worker feature is a predefined timer reset with user activity. For example, if the activity timer is set for 10 minutes and the user has no interaction with the radio during this time, the inactivity timer expires and a pre-warning tone sounds immediately after 10 minutes. If the user fails to reset the timer by an interaction with the radio (such as a button press, PTT, volume knob turn, etc.), the radio initiates Emergency. For more information, see section 2.3.4 “Digital Emergency”.

The Lone Worker feature is available for both the portable and mobile radios, and in analog and digital modes.

2.13 Bluetooth™ Support

The MOTOTRBO radio subscriber supports the Bluetooth Headset Profile (HSP), Bluetooth Personal Area Networking (PAN) profile for Bluetooth IP networking to a PC, and Serial Port Profile (SPP) for communication with Commercial Off-the-Shelf (COTS) Bluetooth Headset, Bluetooth Barcode Scanner, Motorola Bluetooth Headset with remote PTT, and Motorola Bluetooth PTT Only Device (POD). The radio subscriber supports up to four simultaneous Bluetooth device connections, one of each type. The types include HSP, SPP, PAN and Fast PTT.

Example: The radio subscriber can connect to a Bluetooth headset, a Bluetooth scanner, a Bluetooth PAN PC and a Motorola Bluetooth POD simultaneously.

2.13.1 Bluetooth Pairing and Connection

Bluetooth operates within a range of 10 metres line-of-sight. This is an unobstructed path between the radio and the Bluetooth device. It is not recommended to leave the radio behind and expect the headset to work with a high degree of reliability when they are separated. At the fringe areas of reception, both voice and tone quality may start to sound “garbled” or “broken”. To correct this problem, simply position the radio and headset closer to each other to re-establish clear audio reception.

For pairing with multiple Bluetooth devices, it is recommended to pair with data devices such as the scanner and/or Motorola POD, before the headset. If the headset is paired first and activates the audio link, the audio link delays and/or interferes with subsequent pairings between the radio and additional Bluetooth devices. In some scenarios, pairing to additional devices may time out and fail due to audio link interferences, requiring attempts for reconnection. Hence pairing with data devices prior to the headset provides a better pairing experience.

In order to allow other Bluetooth devices such as the PC to discover and pair with the radio, place the radio in Bluetooth “Find Me” mode. The radio can enter this mode through the user menu in the display model, or via a programmable button on the non-display model.

2.13.1.1 Pairing a Bluetooth Device with Display Radios

Pairing a device with a display radio is a user-initiated action. Basically, turn on the Bluetooth device and place it in pairing mode. Use the “Find Devices” option under the Bluetooth menu to locate available devices. Some devices may require additional steps to complete the pairing. Refer to the respective devices’ user manuals. Upon successful pairing, the radio display and tone indicators will alert the user of an established connection.

NOTE: If the Bluetooth device requires pin authentication, the user will be prompted to enter the pin code via the keypad, to establish a connection.

2.13.1.2 Pairing a Bluetooth Device with Non-Display Radios

Pairing a device with a non-display radio is also a user-initiated action. Turn on the Bluetooth device and place it in pairing mode. Use the preprogrammed Bluetooth button on the radio to connect to the device. The LED blinks yellow and a tone sounds when a connection is being

established. Upon successful pairing, a positive tone will alert the user of an established connection.

NOTE: If pin authentication is required for pairing, the pin codes **should** be preprogrammed into the non-display radios via CPS.

2.13.2 Bluetooth Headset/PTT and Radio Operation

2.13.2.1 Radio Operation with COTS Headset

When the radio and COTS headset are paired and connected via user selection through the display radio user interface, the radio sends ring indications to the headset to indicate the start of an incoming audio call setup. The incoming call can be accepted by pressing the multi-function button on the headset; the audio link is set up between the radio and headset for communication. Once the Bluetooth audio link is connected, the Bluetooth microphone/speaker is used as the active audio path for voice communication. When the radio receives an incoming voice transmission, the incoming audio is routed to the Bluetooth headset speaker. When the radio PTT is pressed, the radio initiates an outgoing voice transmission with the headset microphone audio. The radio treats the headset microphone audio similar to the internal radio microphone audio for outgoing call transmissions.

For portable radios, the active Bluetooth audio path can be switched on/off from the radio user interface via menu, or programmable button. For mobile radios, the active Bluetooth audio path can be switched on/off via the on/off hook.

The audio path automatically switches from the Bluetooth headset to the radio when the headset disconnects either intentionally or accidentally, or when the headset battery is dead. Otherwise, the user can manually press the multi-function key of the COTS headset to switch to the radio audio path.

2.13.2.2 Radio Operation with Motorola Headset/PTT

For Motorola Bluetooth headsets equipped with a remote PTT, the remote PTT can be used to initiate outgoing voice transmissions. The audio path will be set up to the headset audio path after the connection to the headset/PTT is established.

2.13.2.3 Radio Operation with Motorola PTT Only Device (POD)

Additionally, the radio supports the Motorola Bluetooth POD for initiating voice communication. This device can be connected and used independently with the radio, or could also be used in conjunction with a Bluetooth headset connected to the radio. The remote POD is used to initiate outgoing voice transmissions. The behavior of pressing the POD has an identical operation to pressing the radio PTT button – with respect to audio transmission and routing.

This device is **not** equipped with a local microphone or speaker; the Bluetooth headset or radio microphone/speaker will be used for audio communication.

2.13.3 Bluetooth Barcode Scanner Operation

After the radio and a Bluetooth barcode scanner are paired and connected as a SPP serial device via user selection through the radio user interface, the scanned data sent from the scanner to the radio could be routed to the option board, or to a remote radio via the over-the-air interface. The routing of the data to the option board or to the remote radio is configurable via CPS. Sending the data from the radio via the over-the-air interface to the remote radio is supported in digital mode only. The security support for over-the-air interface transmission is limited to the radio's Enhanced Privacy support. Routing of data from the radio to the option board is supported in both analog and digital mode.

2.13.4 Bluetooth Personal Area Networking (PAN) Operation

The radio supports the Bluetooth PAN as an access point. The remote Bluetooth PAN device, for example a PC should be connected to the radio as a PAN client. After the radio and the remote Bluetooth PC client are paired and connected with the PAN profile, an IP network connection will be established for IP datagram communication. All data communication between the radio and Bluetooth PC client should be addressable with IP address and application port number over the Bluetooth PAN connection.

If a large amount of data needs to be communicated between the radio and the PC application, it is recommended to disconnect any Bluetooth headset and other Bluetooth devices from the radio. The PAN connection data communication can slow down greatly if any devices of other Bluetooth profiles are connected.

2.13.5 Recommended Bluetooth Devices

Below is a table of COTS Bluetooth devices (headset, PTT and scanner) recommended by Motorola for use with the MOTOTRBO radios. Only these Bluetooth devices have been tested, validated and qualified for many quality attributes such as audio, size, weight, comfort, battery life, interoperability, to meet customer expectations. This table may change in the future to include more devices.

It is not recommended to use any Bluetooth device which is not listed below. The following are key considerations when selecting a device:

1. A Bluetooth device with enhanced audio processing, and
 - 2.A headset that supports disconnecting/reconnecting the active audio link to the radio by pressing/releasing the multi-function button. This maximizes headset battery life.

Model	Description
89409N	Motorola HK200 Operations Critical Wireless, 128-bit Encryption, Commercial Secure Simple Pairing (SSP) version 2.1
NNTN8125	Motorola Bluetooth Wireless Accessory Kit, STD Pairing, 12" Cable
NTN2572	Motorola Bluetooth Accessory Earpiece with 12" Cable
NNTN8143	Motorola Bluetooth Wireless Accessory Kit, STD Pairing
NNTN8126	Motorola Bluetooth Wireless Accessory Kit, STD Pairing, 9.5" Cable
NTN2575	Motorola Bluetooth Accessory Earpiece with 9.5" Cable
Symbol CS3070	COTS Symbol Barcode Scanner

2.13.6 Avoiding Accidental Connection

The Bluetooth headset is usually assigned to one person. However, the two-way radio may not be assigned to a person; it could be shared by different people such as retail sales associates, housekeeping, security and others. If a Bluetooth headset was paired with a radio, the headset automatically reconnects to the same radio the next time it powers on.

Scenario: If the same radio has been assigned to a different user, the headset can accidentally reconnect to the wrong radio belonging to a different user. Automatically, the previous user still receives a positive pairing indication from the headset.

To avoid accidental connection as described in the above mentioned scenario, follow the instructions below:

- For **HK200**: Erase all pairing information from the headset by pressing and holding the volume button and call button together, followed by turning on the headset. When this procedure is performed, the headset does not initiate connection to any remote device automatically.
- For **Motorola Headset/PTT and POD**: Erase all pairing information from the device by pressing and holding the PTT button followed by turning on the headset. When this procedure is performed, the headset or POD does not initiate connection to any remote device automatically.

2.14 One Touch Home Revert Button

This feature is available for mobile radios in both analog and digital modes. The customer can program a button as the “Home Revert” button via the CPS. This button allows the user to jump to a pre-assigned “Home” channel. The CPS does not allow a customer to select a channel in the “Channel Pool”¹ to be the Home Revert Channel.

2.15 Password and Lock Feature (Radio Authentication)

MOTOTRBO provides a password-based locking mechanism to protect radios from unauthorized users. This feature can be enabled and the password can be changed both via the CPS or the radio menu.

With this feature enabled, a radio prompts the user to enter a four-digit password on powering up. After three incorrect password attempts, the radio enters a locked state for 15 minutes. No calls (including Emergency Calls) can be placed or received, when a portable radio is in locked state. Upon correct password entry, the radio enters normal operation mode.

The password input method varies according to the radio display models. For example:

- On a non-keypad portable, a user inputs the password via a combination of the Channel Switch and Side Button(s).
- On a non-keypad mobile, a user inputs the password via a combination of the Channel Knob and Front Button 2.
- On a keypad mobile, a user inputs the password either with the Accessory Keypad or via a combination of the Channel Rocker button and the <OK_Button>.

If a Foot Switch is configured to initiate an emergency and the radio is powered up using the Foot Switch, the radio skips the password input procedure. Upon completion of an emergency, the radio then initiates the password authentication if this feature is enabled.

If a user presses the test mode series button when the radio is locked or in password input state, the radio skips the password authentication and enters test mode.

1. The “Channel Pool” is a zone for keeping all the trunked and Data Revert Channels.

2.16 Digital Telephone Patch (DTP)

The MOTOTRBO Digital Telephone Patch is a Motorola proprietary feature introduced in software version R01.08.00 supporting two types of phone patch calls:

- **Individual Phone Patch Call** – This allows a half-duplex voice communication between a radio user and a phone user. This communication can be initiated from either party.
- **Talkgroup Phone Patch Call** – This allows a half-duplex voice communication between a phone user and a group of radio users. This type of communication can be initiated only by the phone user.

This feature is supported in Single Site, IPSC LACs, IPSC WACs, and Capacity Plus configurations. This feature is supported in display and non-display radios. However, for non-display models, phone numbers, over dial or access/de-access codes need to be configured manually to the programmable buttons because the radios do not have a keypad.

The DTP feature utilizes Commercial Off-the-Shelf (COTS) Analog Phone Patch (APP) boxes, and is compatible with any DTMF-based APP box that supports the 4-wire interface and can communicate in half-duplex mode. The Zetron 30 (Worldpatch) and PL 1877A (MRTI2000) are two examples. Most APP boxes in the market support the following telephony services:

- Access and De-access Codes
 - The access code is used to wake up the APP box, and prevent the radio user or phone user from making unauthorized phone patch calls.
 - The de-access code is used to terminate the phone patch call if an access code is required when setting up the call.
 - Different access code/de-access codes may be configured to have different privileges, so the codes can be used to block/allow radio from performing a call type.
- Phone Usage Time-Out Timer (TOT) – The APP box ends the call once the timer expires.
- A go-ahead tone is emitted to the phone user when the radio user de-keys. This provides an indication to the phone user to begin talking.
- Direct connection to the PBX or PSTN line
- Type Approvals for Supported Countries

Instead of recreating such services in the radio system, this feature relies on the APP box to provide these services. The APP Box is connected to the MOTOTRBO repeater via the 4-wire interface. The phone patch feature utilizes APP boxes that are connected to the repeater, hence this feature is only available in repeater mode, but not direct mode.

2.16.1 Phone Call Initiation

It can be configured via CPS to allow a radio to initiate or receive phone calls on per digital personality basis. Only phone-enabled radios can initiate and receive a phone call.

2.16.1.1 Call Initiation by a Radio User

When a radio user initiates a phone call, the channel access is always polite (even if configured as impolite), regardless of the radio's programmed admit criteria. This is analogous to sending CSBK or data signaling, which is sent politely.

When a radio enters a phone call, a phone call text string and icon shows up on the display screen to alert the radio user.

Buffer dial is supported for access/de-access code, phone number, and over dial digits. "Buffer Dial" means that the radio user enters the digits from the radio keypad, then presses the "OK" button to send out the digits as in-band audio. The phone number can be 22-digits long or less. Before calling a phone user, the radio user switches to the channel that is capable of a phone patch call, and uses one of the following dialing methods:

- **Manual Dial** – Enter the phone number from the radio keypad manually. This option can be enabled or disabled on the radio via CPS.
- **Phone Address Book** – Select a phone number from the radio's Phone Address Book.
- **One Touch Button** – Push a programmable button of the radio. The one touch button is associated with a phone number from the Phone Address Book.

If an access code is required for phone calls, it could be configured in the radio or entered by the radio user manually. When the access code is not configured in the radio, the radio user is prompted to manually enter the access code after dialing the phone number. If access code is not required, the radio user can skip this step by not keying anything. After the radio user sends out the phone number and access code, the phone rings and the user can answer the call.

If there is an Interactive Voice Response (IVR) device at the phone user's end and over dial is required, the radio user can enter the over dial digits via the radio keypad or a programmable button.

Example: The IVR device at a bank may prompt the user to enter the account number to access account information.

2.16.1.2 Call Initiation by a Phone User

When a phone user initiates the call, the phone user dials the phone number of the APP box, or the PBX box, if a PBX is used. The PBX then connects the call to the APP box. If access code is required, the phone user enters the access code following the audible prompt from the APP box. After the APP box validates the access code, the box connects the call to the repeater. The repeater sounds a tone and prompts the phone user for the target ID. Then, the phone user enters the target ID to reach the radio user/group.

NOTE: If a Go-Ahead tone is configured in the APP box, the phone user hears the tone for the Target ID, followed by the Go-Ahead tone.

The length of the target ID is configurable via CPS, and the format varies according to different system configurations.

- **Single Site and IPSC** - The target ID includes the call type, channel slot number, and the radio/talkgroup identifier.

- **Capacity Plus** - The target ID only includes the call type and the radio/talkgroup identifier; the channel slot number is not required.

When keying in the target ID, the phone user may try up to three times maximum, after which the system terminates the call automatically if no valid target ID is received. After the repeater validates the target ID, if the channel is busy, the repeater sounds a busy-waiting tone to the phone user and waits for the channel to become idle, before resuming the call setup. While waiting for the channel to become idle, the phone user hears the busy-waiting tone, and can choose to wait or end the call. If the channel does not become idle for a configurable period of time, the repeater ends the call setup. In this scenario, the phone user stops hearing the busy-waiting tone and hangs up the call. If the channel is idle or becomes idle before the timer expires, the repeater alerts the called radio user/group by ringing tones.

A radio user can join a phone call from a phone user while scanning for activities on the phone channel except in Capacity Plus where scanning is not supported.

For individual phone calls, the target radio user answers by pushing the PTT before the call can be set up completely. For talkgroup phone calls, it is configurable in the repeater via CPS to allow a target radio user to answer the call by pushing the PTT before the call can be set up completely. When answering is not required, the phone user can talk immediately after the first ring. When answering is required, the phone user is not permitted to talk until one of the target radio users answers the call by pushing the PTT. Otherwise, the phone user is not heard by the radio users. When answering is required but the call is unanswered during the configured response period, the repeater sends a de-access code to the APP box, and the call ends automatically.

Phone All Call, an exclusive phone talkgroup call, is supported in the DTP feature as well. The phone user can follow the same phone talkgroup call setup procedure to set up the phone call by using the All Call ID or 0s as the Target ID. In a Phone All Call, the phone user can start to talk after the first ring, before any radio user answers the call. During a Phone All Call, not all radio users are able to respond to the phone user. Only radio users with radios configured with All Call announcement capability are able to respond to the landline phone user and heard by all the other radio users. These users are able to end the Phone All Call by sending the de-access code. Hence, when a phone user makes a Phone All Call, it is recommended to provide contact information so that the receiving radio users have means to contact the phone user if needed. Phone All Call can be enabled/disabled in the repeater via CPS.

2.16.2 During a Phone Call

During a phone patch call, the radio user in the phone call has higher channel access priority than the phone user, allowing the radio user to key up and talk impolitely over a phone user regardless of the radio's in-call permit criteria configuration. However, if a phone user needs to talk, the phone user has to wait until the radio user dequeys. Otherwise, the phone user will not be heard by the radio users.

When another radio user is talking in a phone talkgroup call, the radio user follows the radio's In Call Criteria configuration with the exception of using the Follow Admit Criteria when the In Call Criteria is provisioned with Transmit Interrupt.

NOTE: This is because Transmit Interrupt is not supported in the phone call.

When detecting an impolite takeover from a radio that is not partied to the phone call or an emergency on the phone patch channel during a phone call, the repeater automatically ends the phone call by sending a de-access code to the APP box.

During a phone call, if a radio drops out of the call due to various reasons (for example; out-of-range), the radio can make a late entry back into the call if it is a talkgroup call. If it is an Private Call, the radio can make a late entry back to the call in Conventional Single Site or IPSC. However, late entry is not supported in a Capacity Plus system configuration if a radio fades out of an Private Call completely.

There are three switches that happen during a call:

- **Radio-to-Phone switch** – The radio user finishes talking and dekeys, then the phone user starts to talk.
- **Phone-to-Radio switch** – The phone user talks while a radio user keys up and starts to talk.
- **Radio-to-Radio switch** – The radio user finishes talking and dekeys, while another radio user keys up immediately and starts talking. This switch only takes place in talkgroup calls only.

To ensure a smooth switch and avoid voice truncation, the Enhanced Channel Access feature is introduced to minimize the switching impact and to achieve the best overall user experience in all system configurations. As a result, only minimum additional Voice Access Time is introduced for the switches. The performance parameters are summarized in the table below.

Additional Voice Access Time (ms)	Single Site			IP Site Connect			Capacity Plus		
	Min	Mean	Max	Min	Mean	Max	Min	Mean	Max
Radio-to-Radio / Phone	60	210	360	60	210	360	60	210	360
<i>* All time figures are increases to existing Voice Access Time</i>									

A phone call is clear regardless of whether privacy/enhanced privacy is enabled in the radio or not. Transmit Interrupt is also automatically disabled for the phone call.

When a radio is in a phone call, there are visual ergonomic indications to show that the radio is currently in a phone call. A text string and icon appearing on the radio display indicates that it is currently in a phone call.

2.16.3 Ending a Phone Call

A phone patch call can be ended by either the radio user, phone user, or the APP box, with the following methods:

- The radio user may push the back button, or a programmable exit button to end/reject the call. Alternatively, the de-access code can be sent manually from the keypad.
- The phone user ends the call simply by hanging up, or by sending the de-access code from the keypad. Sending the de-access code is recommended, because this method allows the radio system to end the call immediately, thus letting the radio users know that the call is ended in the correct manner. However, if the phone user ends the call by hanging up, this depends on when the APP box responds to the PSTN disconnecting signaling. Some APP boxes may not be able to detect PSTN signals and therefore waits for the TOT to expire. Hence, ending the call in this manner normally takes a longer time.

- Additionally, if a phone TOT is configured in the APP box, the call is ended by the APP box automatically when the call duration exceeds the timer. Some APP boxes provide configurable 30-second warning/alert tones before the timer expires.

When the phone call ends, the text string and icon on the radio screen disappear. This is followed by a “phone exit” tone from the radio, to alert the user that the radio has been disconnected from a phone call.

The phone patch feature works similarly in all MOTOTRBO system configurations, except some minor differences in specific system configurations. The following subsections describe the minor differences in each particular system configuration.

2.16.4 Digital Telephone Patch System Configuration

2.16.4.1 Phone Patch in Single Site and IP Site Connect Local Area Channels (LAC)

In Single Site, the system can support only one phone call per repeater because a repeater can only be connected to one APP box. The phone call utilizes either channel of the repeater one at a time, and the selection of the channel, is the choice of the party initiating the phone call. This could be the radio user or the phone user. The other unused channel can be used for other voice or data services. Legacy or third-party radios are not able to join in the phone call because this is a new Motorola proprietary feature.

The phone patch call on an IPSC LAC works similarly as the phone patch call in a Single Site channel. The target ID includes the call type (Talkgroup “8” or Individual “7”), the channel (slot 1 or 2), and the radio or talkgroup identifier.

Example: The phone user is instructed to dial the phone number associated with the Phone Patch box, and then prompted to provide the target ID to reach a radio user. The phone user dials extension 710020 after the beep, which initializes a Private Call on channel 1 to radio 20. To contact an entire talkgroup, the phone user dials extension 820100, which initializes a talkgroup call on slot 2 to talkgroup 100.

The following figures describe the typical phone patch topologies in Single Site configuration and IPSC LACs.

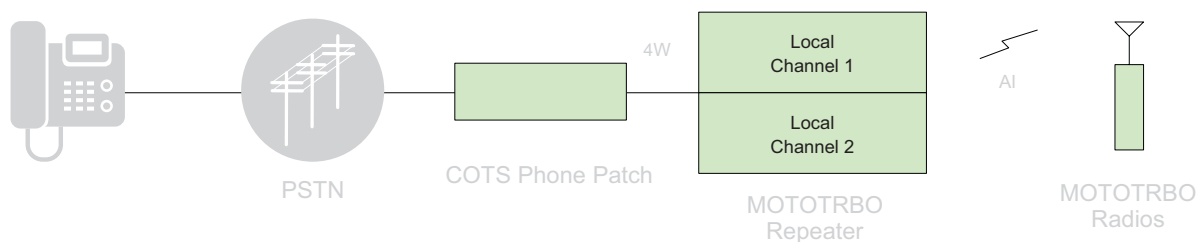


Figure 2-27 Phone Patch Topology in Single Site Configuration

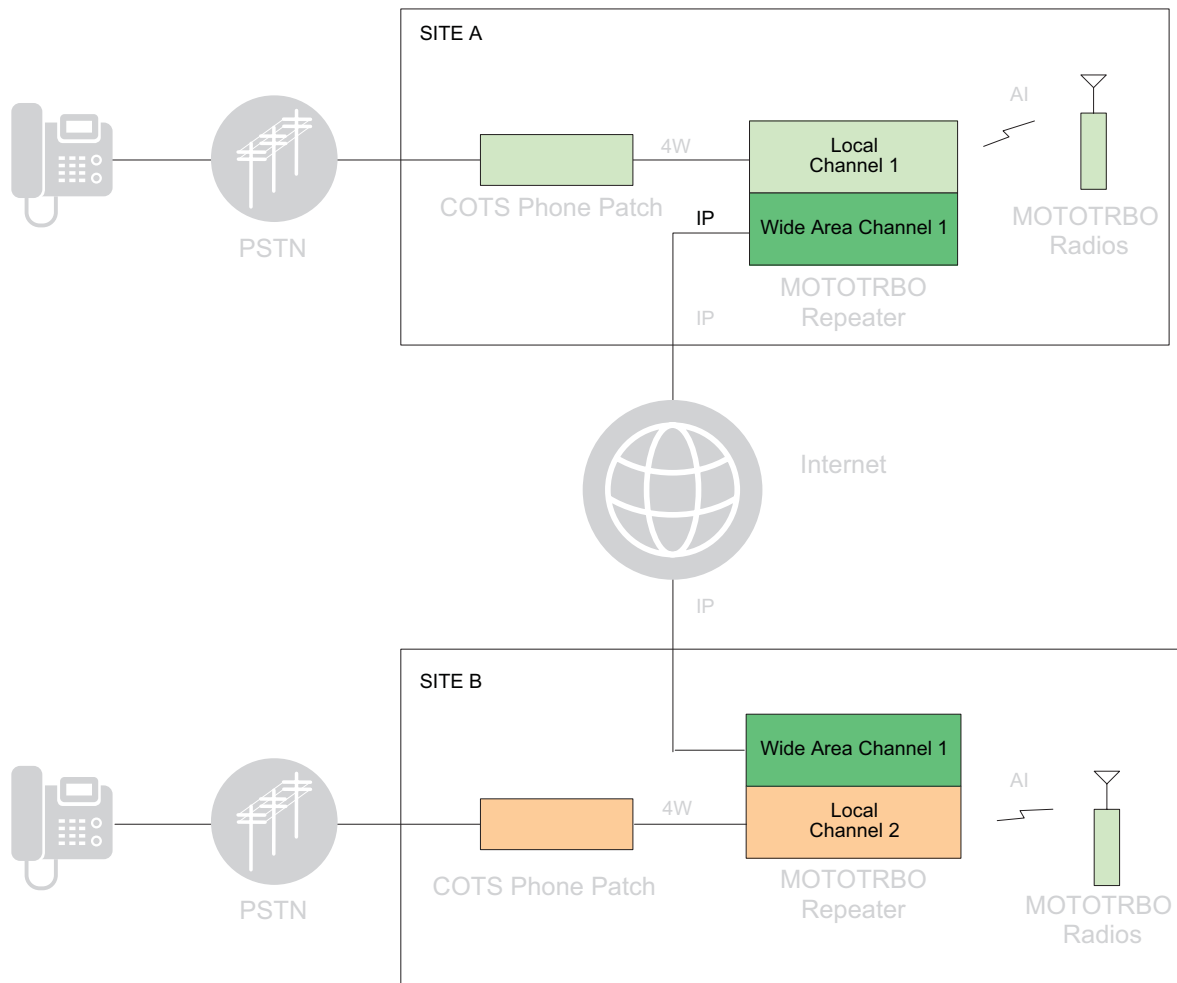


Figure 2-28 Phone Patch Topology in IP Site Connect Local Area Channel Configuration

2.16.4.2 Phone Patch in IP Site Connect Wide Area Channels (WAC)

In IP Site Connect (IPSC), wide area channels include channels from multiple repeaters. However, since a WAC can host only one call at a time, it is designed that a WAC can support only one APP box that can be connected to any repeater on the WAC. The phone patch call can be initiated from any site, but it always goes through the only APP box supported on the WAC.

NOTE: The target ID includes the call type, the channel, and the radio or talkgroup identifier.

Legacy or third-party radios are not able to join in the phone call because this is a new Motorola proprietary feature.

The following figures describe the typical phone patch topologies in IPSC.

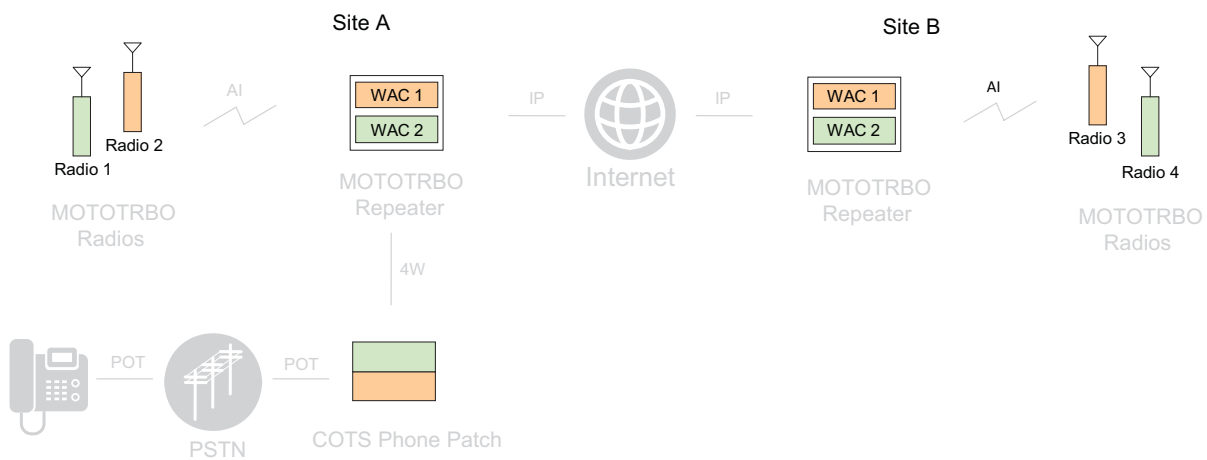


Figure 2-29 One APP Box Supporting Two Wide Area Channels in IP Site Connect

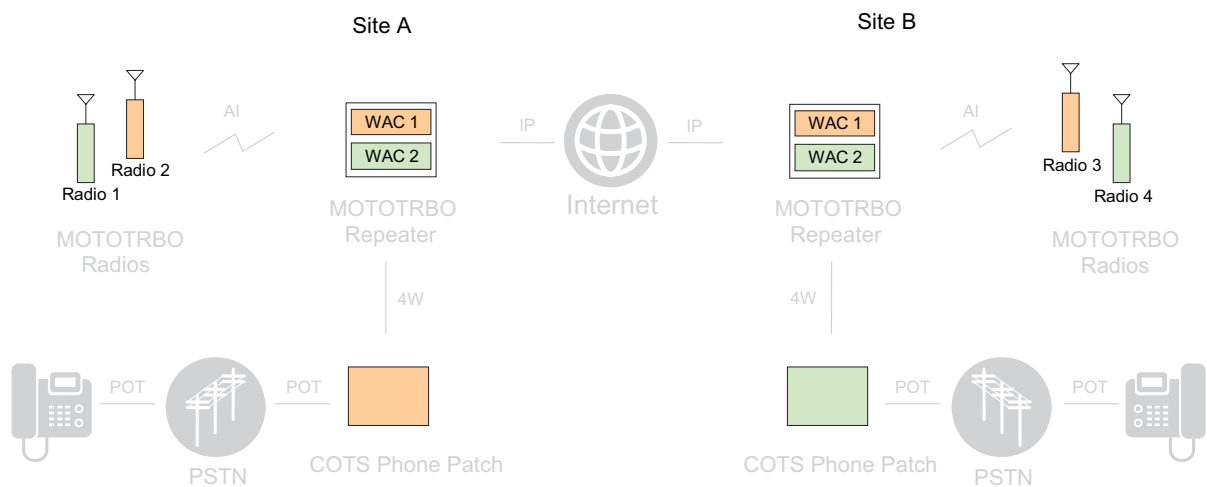


Figure 2-30 Two APP Boxes Supporting Two Wide Area Channels in IP Site Connect

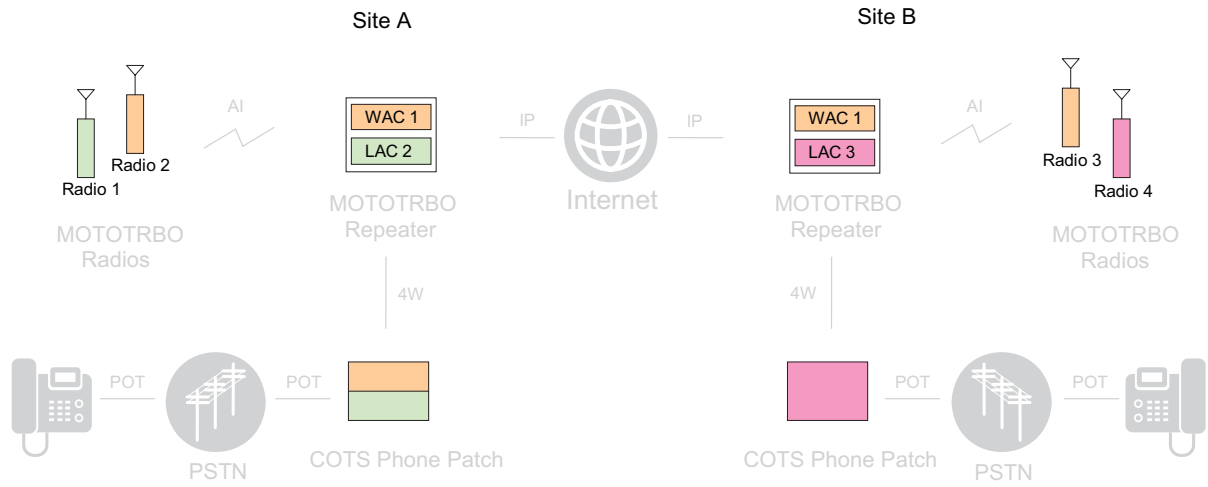


Figure 2-31 APP Boxes Supporting Wide Area Channels and Local Area Channels in IP Site Connect

2.16.4.3 Phone Patch in Capacity Plus

In Capacity Plus, because a repeater can only be connected to one APP box, the system can support one phone call per repeater. The phone call only uses one channel; the other channel can be used for other voice or data services. Any voice repeater can be used for phone calls, hence the maximum number of APP boxes that can be supported in a Capacity Plus system is equal to the number of voice repeaters in the system.

The target ID includes the call type, and the radio or talkgroup identifier. The channel ID is not required because the system automatically selects the channel for the phone call.

When the radio user initiates a phone call, if the rest channel is idle and phone capable for this radio, the phone call starts on the rest channel. If the rest channel is not phone capable for the radio, the phone call starts on an idle channel that is phone capable.

When a phone user calls a radio user/group, the user dials the telephone number of the APP box. The phone call can start on either idle channel of the repeater that the APP box is connected to. Then the following rule is in order - If a channel is the rest channel, the phone call starts on this channel; if neither channel is the rest channel, channel 1 has a higher priority than channel 2.

Legacy or third-party radios are not able to join in the phone call because this is a new Motorola proprietary feature.

The following figure describes the typical phone patch topology in Capacity Plus.

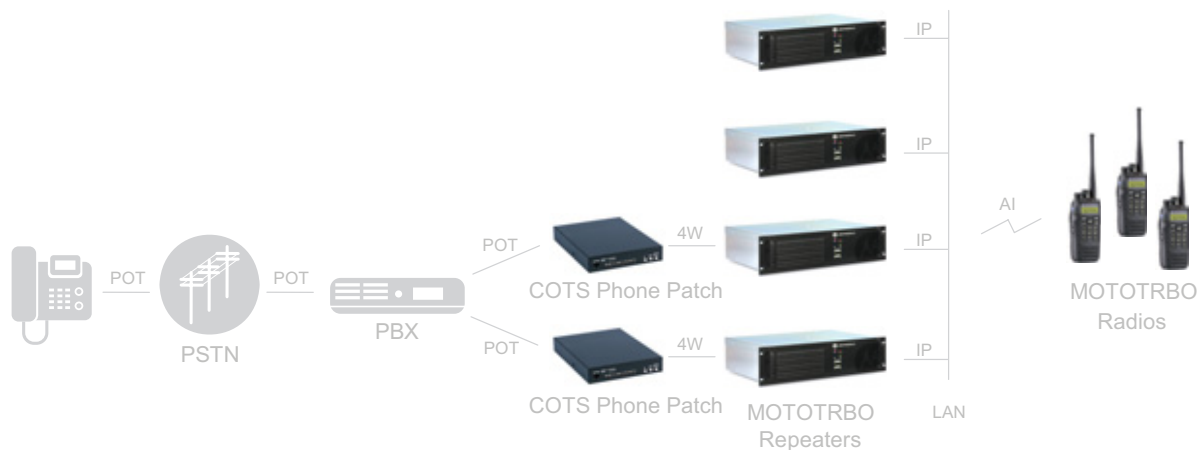


Figure 2-32 Phone Patch Topology in a Capacity Plus Configuration

2.17 Analog Features

For customers that are migrating from Analog systems to Digital systems, MOTOTRBO supports both analog and digital modes of operation. MOTOTRBO mobile and portable radios support both analog and digital modes (the user can select which mode to use, and change modes dynamically), while MOTOTRBO repeaters are configured to operate in digital mode or in analog mode. When in Analog mode, MOTOTRBO utilizes traditional FM technology, supports both 12.5 and 25 kHz channel spacings, and can operate in repeater and direct modes.

2.17.1 Analog Voice Features

The following traditional Analog features are supported by the MOTOTRBO system:

Feature Name	Description
Time-Out Timer	Sets the amount of time that the radio can continuously transmit before the transmission is automatically terminated.
Squelch	Special electronic circuitry added to the receiver of a radio which reduces or squelches, unwanted signals before they are heard through the speaker.
Monitor/Permanent Monitor	The user can check channel activity by pressing the Monitor button. If the channel is clear, the user hears static. If the channel is in use, the user hears the conversation. It also serves as a way to check the volume level of the radio, as while pressing the monitor button, the user can adjust the volume according to the volume of the static/conversation heard.
Talkaround	This feature allows a user to talk directly to another unit for easy local unit-to-unit communications and bypass the repeater.
12.5/25 kHz Configurable Bandwidth	Channels on the radio can be programmed through the CPS to operate at either 12.5 kHz or 25 kHz.
PL/DPL	Transmitted when the receiving radio is to only receive calls from radios with specific PL/DPL codes, this creates communications groups while operating in Conventional Dispatch mode. PL/DPL allows for more privacy on a frequency. PL/DPL is transmitted as a sub-audible frequency or a digital code.
Channel Access Control	This feature dictates what conditions a radio is allowed to initiate a transmission on a channel. There are three possible values which are Always, Channel Free, and Correct PL. Refer to "MOTOTRBO Channel Access" on page 22 for more details.

2.17.2 MDC Analog Signaling Features

MOTOTRBO contains a limited set of built-in MDC signaling features. These include:

Feature Name	Description
Emergency Signaling	Sends a help signal to a pre-defined person or group of people. The emergency feature also allows a user to sound an alarm or alert the dispatcher in an emergency situation. The user is also able to acknowledge an emergency.
PTT-ID	PTT-ID identifies the user's outgoing calls on other users' radios.
Call Alert	Call Alert notifies the radio user of incoming calls if they are a short distance away from their radio. Call Alert also informs unavailable users that someone is trying to reach them.

2.17.3 Quik-Call II Signaling Features

The Quik-Call II signaling is used during analog mode of operation and encodes either single tone or a sequence of two tones within the audible frequency range (approximately 300 – 3000Hz). Encoding/decoding is particularly used for the Call Alert and Voice Selective Call features.

Feature Name	Description
Voice Selective Call	This feature allows announcement type messages to take place during a call to an individual or group of radios. This feature is used in systems whereby the majority of transmissions are between a dispatcher and a single radio. Voice Selective Call can be used to eliminate the need to listen to traffic that is irrelevant to the users. There are two distinct types of voice selective call – basic voice selective call and automatic voice selective call.
Call Alert	Call Alert notifies the radio user of incoming calls. This feature also informs the radio users when another radio user is trying to reach them. No voice communication is involved in this feature.
Call Alert with Voice	This feature is a combination of the Call Alert and Voice Selective Call features. Call Alert with Voice allows a receiving radio to receive voice messages and call alert signals. This feature is useful when a dispatcher needs to transmit a voice message and leave a Call Alert to the targeted radio.

2.17.4 Analog Scan Features

Feature Name	Description
Nuisance Channel Delete	A channel with unwanted activity is called a Nuisance Channel. The user can remove a Nuisance Channel from the Scan List temporarily by using the Nuisance Channel Delete feature.
Priority/Dual Priority Scan	Priority Scan allows a user to program the radio to scan more frequently transmissions on the most important channel, and ensure they do not miss critical calls. Dual Priority Scan allows a user to program a radio to frequently scan transmissions on the two most important channels, and ensure they do not miss critical calls.
Tone Private Line Lockout	During scan, if activity is detected on a channel, but does not match the un-muting condition, lockout occurs. Once lockout occurs, the radio ignores activity on that channel for the next nine scan cycles. However, if scan finds that activity has ceased on that channel, the counter is reset and is no longer ignored.
Talkback Scan with Home Channel Revert	Talkback scan allows activity on different communications channels to be monitored and answered. Home channel revert allows a user to automatically access a preferred channel.

2.17.5 Analog Repeater Interface

To facilitate the migration from analog to digital, the MOTOTRBO repeater offers an analog repeater interface that allows the repeater to operate with legacy analog accessories.

The interface is configurable via the CPS and can support the following applications:

1. Tone panels
2. Phone Patches
3. Console Desksets connected via a local interface
4. Console Dispatcher in base station configuration
5. Trunking controllers such as LTR and PassPort

2.17.5.1 Analog Repeater Interface Settings

The analog repeater interface is configurable via the CPS. The CPS offers repeater-wide settings as well as programmable input and output pins on the rear accessory connector.

2.17.5.1.1 CPS Repeater Wide Settings

CPS Repeater Control Name	Description
Audio Type	<p>“Filtered Squelch” configures the repeater so that only the audible frequency spectrum (300 Hz – 3 kHz) is sent to the rear receive audio pin/speakers as well as transmitted over-the-air. The user in deskset controller applications is interested in this audible frequency spectrum.</p> <p>“Flat Unsquelch” should be used in applications such as trunking controllers or community repeaters where there is sub-audible signaling that needs to be passed. In this configuration, the repeater will pass the audio unfiltered over-the-air as well as to the rear receive audio pin and speakers. The filtering is performed in the external device, not in the repeater.</p>
Analog Accessory Emphasis	<p>Pre-emphasis is configurable on transmitting subscribers. In order to match the emphasis settings on the wireline, de-emphasis on the receive path and pre-emphasis on the transmit path of the analog repeater interface can be enabled or disabled.</p> <p>This setting is in addition to the repeater’s Emphasis setting. Furthermore, when Audio Type is set to “Flat Unsquelch”, there is no emphasis in the audio.</p>
Audio Priority	<p>This setting determines if “External PTT” or “Repeat Path” has priority over the transmitter when Disable Repeat Path is disabled. A priority of None implies the transmitter will be granted on a first come first served basis.</p> <p>*This feature is not supported for digital transmissions in Dynamic Mixed Mode; priority is on a first come, first served basis.</p>
Disable Repeat Path	<p>Some applications do not want the repeater to perform in-cabinet repeat; they warrant that the external PTT be the only input that can trigger the repeater to transmit. This setting configures the repeater to only transmit when the PTT is asserted.</p> <p>*This feature is not supported for digital transmissions in Dynamic Mixed Mode; digital transmissions from the radio are repeated regardless of Disable Repeat Path configuration.</p>

2.17.5.1.2 Rear Accessory Port CPS Programmable Pins

The rear accessory also has some pins that can be programmed to specific input/output functions. These pins can be programmed to either active high or low.

CPS Programmable Pins	Description
PTT	<p>PTT can be programmed to any programmable pin on the rear accessory connector.</p> <p>In Dynamic Mixed Mode, if channel is busy when PTT is asserted on the repeater accessory port, then an audible channel busy alert tone is generated on speaker and Rx audio accessory pins.</p>
CSQ Detect	<p>Squelch detect will toggle this output pin on. Loss of squelch will toggle this output pin off.</p> <p>In Dynamic Mixed Mode, this pin is asserted ON on the repeater accessory port when:</p> <ul style="list-style-type: none"> • Squelch is detected • The repeater is transmitting digital call (includes call transmission, call hang and channel hang time) • The repeater is transmitting exclusive CWID <p>This pin is asserted OFF on the repeater accessory port when all of the above mentioned conditions are false.</p>
PL Detect	<p>A signal meeting the PL rules programmed in the channel toggles this output pin to its active state. Loss of the PL signal toggles the output pin to its inactive state.</p> <p>In Dynamic Mixed Mode, this pin is asserted ON on the repeater accessory port when:</p> <ul style="list-style-type: none"> • PL detected • The repeater is transmitting digital call (includes call transmission, call hang and channel hang time) • The repeater is transmitting exclusive CWID <p>This pin is asserted OFF on the repeater accessory port when all of the above mentioned conditions are false.</p>

CPS Programmable Pins	Description
Monitor	<p>Asserting this input pin reverts the receiver to carrier squelch operation. Upon detection of RF signal, the repeater enables the Rx Audio lines and unmutes the speaker.</p> <p>In a Dynamic Mixed Mode repeater, the user is able to listen to the analog channel activity. However, for digital channel activity, the repeater will emit audible channel busy alert tone on speaker and Rx audio accessory pins, but it will not unmute to the actual digital channel activity.</p>
Repeater Knockdown	<p>Asserting this input pin triggers the repeater to temporarily enter Repeat Path Disable Mode. In this mode, the repeater's transmitter will only be enabled by the external PTT and the audio source will be the Tx Audio Input pin.</p> <p>Releasing this input pin will revert the repeater back to Normal Mode where the repeaters transmitter can be activated by a qualified RF signal on the receive frequency.</p> <p>In Dynamic Mixed Mode, this feature is not supported during an ongoing digital transmission.</p>
Antenna Relay	<p>This output pin is used to drive an antenna relay switch for applications where the repeater acts as a dispatch station that will only receive or transmit at a time. This allows the use of a single antenna without the need of expensive combining equipment. The pin toggles active when the repeater enters a transmit state, and reverts to inactive when the repeater drops back to idle/receive.</p> <p>This feature is not supported in Digital and Dynamic Mixed modes.</p>

2.17.5.1.3 Rear Accessory Port Fixed Audio Pins

The following table provides a description of the fixed audio pins on the rear accessory connector for the DR 3000 which can be used in Digital Telephone Patch and Analog modes only.

Fixed Pins	Description
Spkr+/Spkr-	Act as a differential pair and should be connected at opposite ends of an audio speaker or equivalent load. Under rated conditions, the output voltage will be 7.75V RMS and the radio supports impedances down to 4 ohms with distortion typically less than 3%. Under no conditions should either of these two outputs be connected to ground.
Rx Aud	Provides a line level audio output at 330 mVrms under rated conditions. The frequency response of this output has been extended below 300 Hz to support data transfer for specific applications (Flat Unsqelch).
Tx Aud	Accepts transmit audio at 80 mVrms through a 560 Ω load. Care must be taken when choosing an audio source as the output impedance of the source can affect the audio level which may need to be adjusted accordingly.

The following table provides a description of the fixed audio pins on the rear panel ports for the **MTR3000** which can be used in Digital Telephone Patch or Analog modes only.

Fixed Pins	Description
Rx Audio	An RF input signal with 60% RSD provides an Rx Audio output of 330 mVrms into 50 k Ω . Also a microphone input of 56 mVrms provides an Rx Audio output of 330 mVrms into 50 k Ω . The Rx Audio output has DC bias of 2.5 VDC.
Aux Rx Audio	An RF input signal with 60% RSD provides an Aux Rx Audio output of 330 mVrms into 50 k Ω . The Aux Rx Audio output has a DC bias of 2.5 VDC.
Tx Audio	The Tx Audio input provides no pre-emphasis. The nominal level of 80 mVrms (226 mVpp) produces 60% Relative Standard Deviation (RSD).
Tx Audio with Pre-Emphasis	The Tx Audio-Pre input provides a pre-emphasis network. The nominal level of 80 mVrms (226 mVpp) produces 60% RSD.
Tx Data	Transmit data, PL or DPL signaling. The nominal level of 80 mVrms (226 mVpp) produces 12% RSD.

2.17.5.1.4 Front Panel Audio Ports on the MTR3000

The following table provides a description of the front panel ports for the MTR3000.

Front Panel Ports	Description
Speaker	Output to Powered Voice speaker. Adjustable between 0 to 500 mVrms [1.4 Vpp] across 2.4 kΩ @ 60% system deviation. Audio signal appears between Pins 3 and 4 on the connector. Must use speaker type HSN1000 (older model) or HSN1006 via adapter cable Part.No. 0185180U01. NOTE: The Speaker port is only supported in analog mode regardless of the speaker used.
Microphone	Local microphone Input. Use microphone type GMN6147 (older model) or GMMN4063. Modulation sensitivity for 60% system deviation is typically 56 mVrms (158 mVpp). NOTE: The Mic port is only supported in analog mode regardless of the Mic used. For older model of microphone (GMN6147), the 3 control buttons for speaker volume control, Rx monitor and Intercom control functions are not supported.

2.17.5.2 Configuration Summary Table

The following table gives a high level view of which features of the analog repeater interface are needed to support specific types of accessories. This table is meant to act only as a guideline.

Acc Type	Trunking	Phone Patch	Tone Panel	Local Deskset	Console Base Station
RX Audio	Y	Y	Y	Y	Y
TX Audio (MTR3000)	N	Y	N	Y	Y
TX Audio (DR 3000)	Y	Y	Y	Y	Y
TX Audio with Pre-Emphasis (MTR3000)	Y	N	Y	N	N
TX Data (MTR3000)	Y	N	Y	N	N
Ext PTT	Y	Y	Y	Y	Y
Disable Repeat Path	Y	N	Y	N	Y
Repeater Knockdown	NA	Y	NA	Y	NA
Monitor	N	Y	N	Y	Y
PL Detect	N	O	O	O	O
CSQ Detect	O	O	O	O	O

Acc Type	Trunking	Phone Patch	Tone Panel	Local Deskset	Console Base Station
Audio Type	FLAT	FILTERED	FLAT	FILTERED	FILTERED
Analog Accessory Emphasis	NA	O	NA	O	O
Antenna Relay	NA	NA	NA	O	O

Y = This feature is necessary for the application
 N = This feature is not necessary for the application
 O = This is an optional parameter for the application
 NA = Not Applicable

2.17.5.3 Configuration Considerations

2.17.5.3.1 Analog Trunking Controllers & Community Repeaters

Most analog trunking controllers and community repeaters will have two outputs that are to be modulated by the repeater: voice audio, signaling data. The **MOTOTRBO DR 3000 repeater** only accepts one audio input. Thus the two outputs must first be mixed into a single input and dropped down to the audio level the MOTOTRBO repeater expects on the microphone port.

The microphone port is designed to transmit audio at 80mV RMS (220 mVp-p) through a 560 ohm load. Care must be taken when choosing an audio source as the output impedance of the source can affect the audio level which may need to be adjusted accordingly.

When mixing the audio and signaling, care must also be taken to determine the expected deviation of the signaling. For example, in LTR controllers, the expected deviation of the LTR data is ~800Hz. Please refer to your controller's user manual which gives guidance on how to tune the data signal output to achieve adequate data deviation.

Similar to existing cables, resistors can be placed on the cable to drop the level coming out from the controller (on the order of 1-2 Vp-p) to the level expected by the transmit audio pin. Once the resistor value is determined, the audio and signaling signals can be mixed into a single wire that can be crimped onto the MOTOTRBO accessory connector (Motorola Part Number PMLN5072_).

The **MTR3000 repeater** has an audio transmit input and a data transmit input that can be used with the two outputs on the analog trunking controllers and community repeater panels (tone panel).

2.17.5.3.2 Zetron Controllers

The following are the Zetron configurations needed that will enable Zetron controllers to interface with the MOTOTRBO repeater.

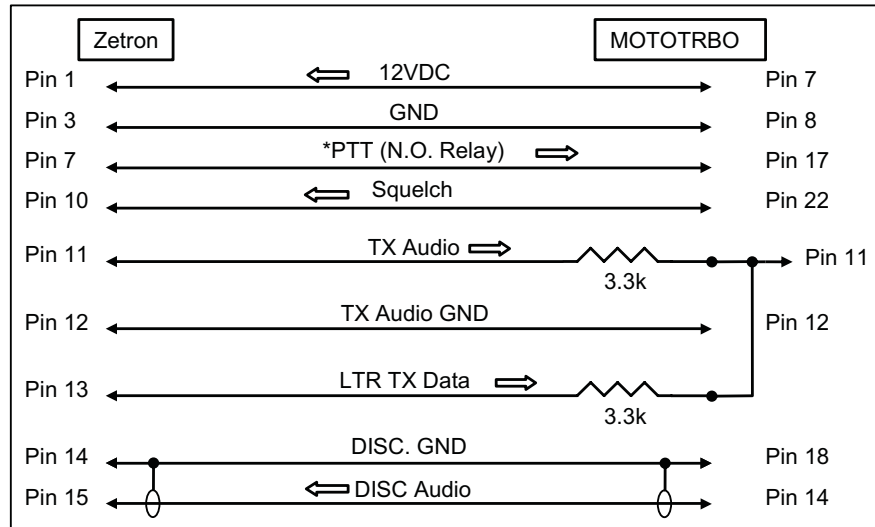


Figure 2-33 DR 3000 Cable Schematic for Zetron Controllers

Schematic Notes:

- On the Zetron connector, pin 6 is PTT Common, this must be jumpered to one of the grounds. This is the common pin of the PTT relay. Without this, the unit will not key-up.
- Use a shielded cable for Discriminator Audio.
- The two 3.3k ohm resistors need to be mounted at the MOTOTRBO end of the cable.
- Large arrows indicate signal/function flow.
- Please note that Pin 17 (PTT) and Pin 22 (Squelch/CSQ Detect) need to be provisioned in the CPS.

To set up the MTR3000 with Zetron controllers, see the MTR3000 Repeater Basic Service Manual (68007024096), Appendix D for more information.

The following table lists the jumper/switch settings for trunking/tone panel controllers.

Zetron Model 42 Trunking Controller Jumper Settings

JP1 set to 'B' (Flat)
 JP2 set to 'A' (Tone Flat)
 JP3 set to 'A' (Sub Out High)
 JP4 set to 'A' (+20dB Receive Audio Gain)
 JP6 set to 'A' (TX Audio Level High)
 JP7 set to 'Ext Sq +' (pins 5-7 and 6-8 jumpered)

NOTE: If you have an older Zetron controller that will be used in a 12.5 kHz system for the first time, make sure it has first been modified for 12.5 kHz operation. See Zetron's supplemental publication: 011-0509 for instructions on making this modification.

Zetron Model 49 Trunking Controller Jumper Settings

JP1 set to 'A' (Flat Audio)
 JP2 set to 'A' (Tone Flat)
 JP7 set to 'A' (COR as input)
 JP9 set to 'A' (+20dB Receive Audio Gain)
 JP10 set to 'A' (TX Audio Level High)
 JP12 set to 'Ext Sq +' (pins 5-7 and 6-8 jumpered)
 JP13 set to 'B' (HP Filter IN)
 JP23 set to 'A' (Sub In from Disc.: pins 1-2 and 3-4 jumpered (grounds pin 4 on rear connector))
 JP24 set to 'A' (Sub Out DC coupling)
 JP25 set to 'A' (Sub Out High)
 JP26 set to 'A' (Sub Out analog)

WARNING: Pin 4 of the rear connector is listed as a ground. But it will not be grounded unless JP23 is set for it. This pin also acts as an input for the receive LTR data path. See jumper table below.

NOTE: The jumpers do not follow standard positioning. Some may be vertical, some may have position 'A' on the left, some may have position 'B' on the left. Take extra care when making these settings.

NOTE: If you have an older Zetron controller that will be used in a 12.5 kHz system for the first time, make sure it has first been modified for 12.5 kHz operation. See Zetron's supplemental publication: 011-0509 for instructions on making this modification.

NOTE: For transmit audio alignment, the Zetron Model 49 manual calls for setting the Tone Generator at TP4 for 1.4Vp-p/495mv RMS, then adjusting the TX audio for 2 kHz deviation (40% of full system deviation). This is for a 25 kHz BW system. For 12.5 kHz BW, this adjustment is 1 kHz deviation.

Zetron Model 38 Tone Panel Switch Settings

SW2 set to off (up) Audio Output Gain (high)
SW3 set to off (up) PL/DPL output Gain (high)
SW4 set to off (up) Flat/De-emphasis (Flat)
SW6 set to off (up) Internal/External Squelch (External)
SW7 set to on (Down) COR Positive/Negative (Negative)

Tone Panel Programming Note:

It may be necessary to set the generated DPL (DCS) signal to “Invert” from the tone panel to be recognized by the user radios. These DTMF commands are 3750 for normal and 3751 for inverted signal generation.

Once the above cable and jumper/switch settings have been achieved, you should now be able to refer to the specific controller product manual to complete installation.

2.17.5.3.3 Trident Controllers

Trident MicroSystems manufactures a cable that interfaces Trident Controllers with MOTOTRBO repeaters and provides jumper settings for Trident Controllers.

2.17.6 Auto-Range Transponder System (ARTS)

Auto-Range Transponder System is now available in analog mode (direct or repeater) in software version R02.10.00. This feature informs radio users when their radio is out of range from other ARTS-equipped radios.

ARTS uses automatic polling whereby the radio automatically transmits once every 25 or 55 seconds in an attempt to “shake hands” with another ARTS-equipped radio. When a radio receives an incoming ARTS signal, a short in range tone sounds and an “In Range” message is shown on the radio. If a radio is out of range for more than two minutes, a short out of range tone sounds and an “Out of Range” message is shown on the radio. When radios return in range from out of range, a short in range tone sounds and an “In Range” message appears again on the radio to notify the user.

The Auto-Range Transponder System (ARTS) feature has three operating modes:

- **Transmit Mode** – The radio only transmits polling signals to connect with other radios. The radio does not receive signals and therefore does not notify the radio user of its own range status.
- **Receive Mode** – The radio only receives polling signals to be notified when in range or out of range. The radio does not transmit polling signals to connect with other radios.
- **Transmit and Receive Mode** – The radio transmits and receives polling signals. The radio can connect with other radios and notifies the radio user of its own range status.

ARTS can only be active on analog channels with a TPL/DPL squelch type. A radio is considered to be in range if carrier and matching TPL/DPL is detected, regardless of which radio transmitted it.

It is important to note that a radio with ARTS enabled only notifies the range status by receiving transmissions from other radios. This does not mean that the receiving radio can transmit or talk

back to the transmitting radio. A good example of this is when a mobile radio with high power transmits its ARTS polling signal to a portable radio with low power. Although the portable can receive the high power signal from the mobile and notify the radio user that it is in range, it may not be able to reach the mobile since it is transmitting using low power.

Another very important item to note is that if there are many radios with ARTS enabled operating in Transmit and Receive (TRX) Mode in the same area, some of them may not be able to transmit successfully because of the excess loading on the channel. This should be considered when distributing radios across channels and when setting the ARTS TX Period.

Because radios with ARTS enabled are required to transmit often, battery life may be impacted. This should be considered when setting the ARTS TX Period.

The table below summarizes the programmable options for ARTS.

Name	Value	Wide	Description
ARTS Mode	Off / TX / RX / TRX	Channel	ARTS operating mode
ARTS TX Period	25 / 55 (seconds)	Channel	ARTS TX period for polling transmission
ARTS Audible Indication	Off / Once / Always	Radio	Indicates whether radio sounds audible indications when valid transmission is received
ARTS Visual Indication	Off / On	Radio	Indicates whether radio shows visual indications

2.17.7 TX Inhibit Quick Key Override

This feature gives the radio user the ability to override the selected Busy Channel Lockout rule, thus allowing a transmission to be sent on a busy channel. The radio user accomplishes this by quick-keying the PTT button. This means pressing the PTT, then releasing, and quickly re-pressing within one second. This feature can be enabled or disabled via CPS.

This feature is available for internal PTT, external PTT via accessory or Bluetooth, and XCMP PTT, but not applicable for VOX PTT via accessory or Bluetooth. This feature applies only when the radio is operating in analog conventional dispatch mode. This feature is only available in portables.

2.17.8 Alert Tone Fixed Volume

When the Alert Tone Fixed Volume feature is enabled via CPS, all alert tones remain at a constant volume level. This constant volume level is equal to the radio's Midpoint Volume Setting, plus or minus the Alert Tone Volume Offset setting. The volume level for alert tones then remains constant, even when the radio's volume knob is adjusted.

This does not affect tone volumes that are automatically adjusted by the radio, for example, when Quik-Call II Call Alert, Escalate, and Intelligent Audio features are enabled. This feature is only available in portables, and both analog and digital modes.

2.17.9 Alert Tone Auto Reset

The Call Alert tone is normally a repetitive alert tone. This feature enables the radio to generate only one sequence of the Call Alert tone when the radio decodes a Digital, MDC, or Quik-Call II Call Alert. The Call Alert tone duration can be configured via CPS from 0 (∞) second to 1200 seconds by a five second increment. If the Infinity (∞) option is selected, the Call Alert tone continuously sounds until the user cancels the Call Alert indication.

This is a radio-wide feature available in analog and digital modes. This feature is only applicable if the Disable All Tones feature is disabled.

2.17.10 Emergency Permanent Sticky Revert

This feature enables the radio to remain permanently on the Emergency Revert Personality after the emergency transmission has been sent and acknowledged. The radio must be powered off for it to return to the selected channel on the Channel Selector.

Any mode change – analog vote scan, scan and auto scan will not work while the radio is operating on the Emergency Sticky Revert Channel. The radio can still receive MDC and Quik-Call II Call Alerts or Selective Calls, but cannot initiate them.

This feature can be enabled or disabled via CPS and is only available in portable radios.

2.17.11 Comparison Chart

Below is the table that summarizes the features supported by the MOTOTRBO Display Portable with GPS (DP 3601/DP4801).

Feature Name	DM 3601
Talkaround/Repeater Mode Operation	X
12.5/25 kHz Configurable Bandwidth	X
PL/DPL Codes	X
Squelch	X
Monitor	X
Time-Out Timer	X
Channel Access Control	X
Option Board Expandability	X
Analog Signaling Features	
Quik-Call II	X
DTMF Encode/Decode	Encode

Feature Name	DM 3601
MDC-1200 Call Alert	Encode/Decode
MDC-1200 Selective Call	–
MDC-1200 PTT ID	Encode/Decode
MDC-1200 Emergency	Encode/Decode
MDC-1200 Selective Radio Inhibit	–
MDC-1200 Radio Check	–
MDC-1200 Remote Monitor	–
Digital Signaling Features	
Call Alert	Encode/Decode
Private Call	Encode/Decode
Emergency	Encode/Decode
Selective Radio Inhibit	Encode/Decode
Radio Check	Encode/Decode
Remote Monitor	Encode/Decode
Analog Scan Features	
Scan	X
Nuisance Channel Delete	X
Priority Scan	X
Dual Priority Scan	X
Digital Scan Features	
Scan	X
Nuisance Channel Delete	X
Priority Scan (Talkaround)	X
Priority Scan (Repeater Mode)	X
Dual Priority Scan (Talkaround)	X
Dual Priority Scan (Repeater Mode)	X
Mixed Mode Scan Features	

Feature Name	DM 3601
Scan	X
Nuisance Channel Delete	X
Priority Scan	X
Dual Priority Scan	X

2.18 Third Party Application Partner Program

The MOTOTRBO system is complete and robust enough to fulfill the diverse needs faced by a variety of customers. However, realizing the important role third-party developers play in supporting market growth by creating customized applications that add value to customers in different vertical applications, Motorola provides a powerful suite of capabilities to enable third-party applications to developers who are members of the Third Party Application Partner Program.

2.18.1 MOTOTRBO, the Dealer, and the Accredited Third-Party Developer

A third-party developer that joins the Third Party Application Partner Program is accredited and offered technical support from Motorola in the form of getting access to protocol, Application Programming Interface (API) documentation, online support, as well as to Motorola channel partners and customers. With this in mind, the dealer can sell MOTOTRBO as it is to customers or the system can be modified by a third-party developer (Third Party Application Partner Program member) to satisfy a broader range of customer needs and applications.

2.18.2 MOTOTRBO Applications Interfaces

The following applications interfaces are available to PC-based and non-PC based peripherals of a radio.

- Text Messaging
- Telemetry
- IP Data Services
- Location Services
- Radio Command and Control (XCMP/XNL)
- Automatic Registration Service

These interfaces utilize the USB interface on the side accessory connector of the MOTOTRBO portable radio, and on the front and rear accessory connectors of the MOTOTRBO mobile radio.

The following capabilities are available to “core” or traditional peripherals.

- receive audio
- transmit audio
- basic control lines (e.g. PTT, Receive unscquelch, etc.)

These interfaces utilize the audio and control lines on the side accessory connector of the MOTOTRBO portable radio, and on the front and rear accessory connectors of the MOTOTRBO mobile radio. Detailed specifications are available in the respective product service manuals.

NOTE: Option boards enable a third-party to embed an application into the MOTOTRBO mobile and/or portable radios, and utilize third-party provided hardware and software. Option boards can control the radio through the internal option board interface, as well as interact with external (e.g. PC-based) applications. Option boards can also send voice or data calls, and receive calls routed to the radios. Option board capabilities within each channel can be assigned to programmable buttons. A channel can support up to 6 option board features.

To support the logging of over-the-air activities, a radio provides start and end notifications of all the calls that the radio monitors over-the-air. The notifications are sent to only one device (e.g. an option board or a data terminal).

NOTE: A radio monitors only calls whose frequency, color code, and slot number are similar to its own, and are either standard DMR or Motorola proprietary messages.

In IP Site Connect and Capacity Plus modes, each repeater performs the following additional duties:

- Ensures that their communication links with other repeaters in the system are open all the time.
- Informs their operating status (e.g. mode, IPv4/UDP address) to each other.
- Informs their alarm conditions and provides diagnostic information to the RDAC-IP application tool.
- Allows the RDAC-IP application to remotely change mode of operation (i.e. switching from analog mode to digital mode of operation).
- **In Capacity Plus systems**, repeaters also inform the status of their logical channels to each other. Based on the status information, a repeater selects the next Rest Channel.
- **In IP Site Connect (wide area slot configuration) systems**, a repeater ensures that one call prevails at all the sites if multiple calls start within a short interval. This triggers all repeaters in the system (except those that detect interference) to repeat the selected call. This feature is also supported for voice, data or radio command initiated by an IP-based application.
- **In IP Site Connect (local area slot configuration) and Capacity Plus systems**, a repeater arbitrates between the radio command calls (i.e. radio check, radio enable/disable, IP console enable, and IP console disable) started within a short interval by a radio or an IP application.

IP Site Connect and Capacity Plus systems also support an ADP interface. The interface enables IP-based applications to connect to the systems and support various services including voice, data and radio commands. The following services are available:

- Support radio command services (e.g. radio check, radio enable/disable, IP console enable, and IP console disable).
- Monitor all over-the-air system activities, and provide recording services – playback, system profiling, system usage, etc.
- Route audio/data from an application to radios on a wide area IP Site Connect channel.

NOTE: Playback capabilities require AMBE+2™ decoding support by the application.

- Receive all radio initiated calls from all repeaters in the system. The application may use this information for the system profiling or billing based on the call duration.

- Receive notifications when a repeater is unavailable for over-the-air service, or transmit Base Station Identification (CWID), due to inbound or outbound inference from other systems, or failure of a critical component. An IP-based application may use the notifications to monitor system availability/reliability.
- Initiate radio commands, data or voice calls to all wide area configured repeaters in the system (**IP Site Connect wide area slot configuration only**).
- Initiate radio commands to the targeted local repeater slot in the system (**IP Site Connect local area slot configuration only**).

2.18.2.1 ADP Interface with IP Site Connect

Figure 2-34 illustrates an IP-based ADP application interfacing with an IP Site Connect system. In an IP Site Connect system configuration, a repeater can be configured in either a wide area or local area slot configuration, or a combined configuration of both.

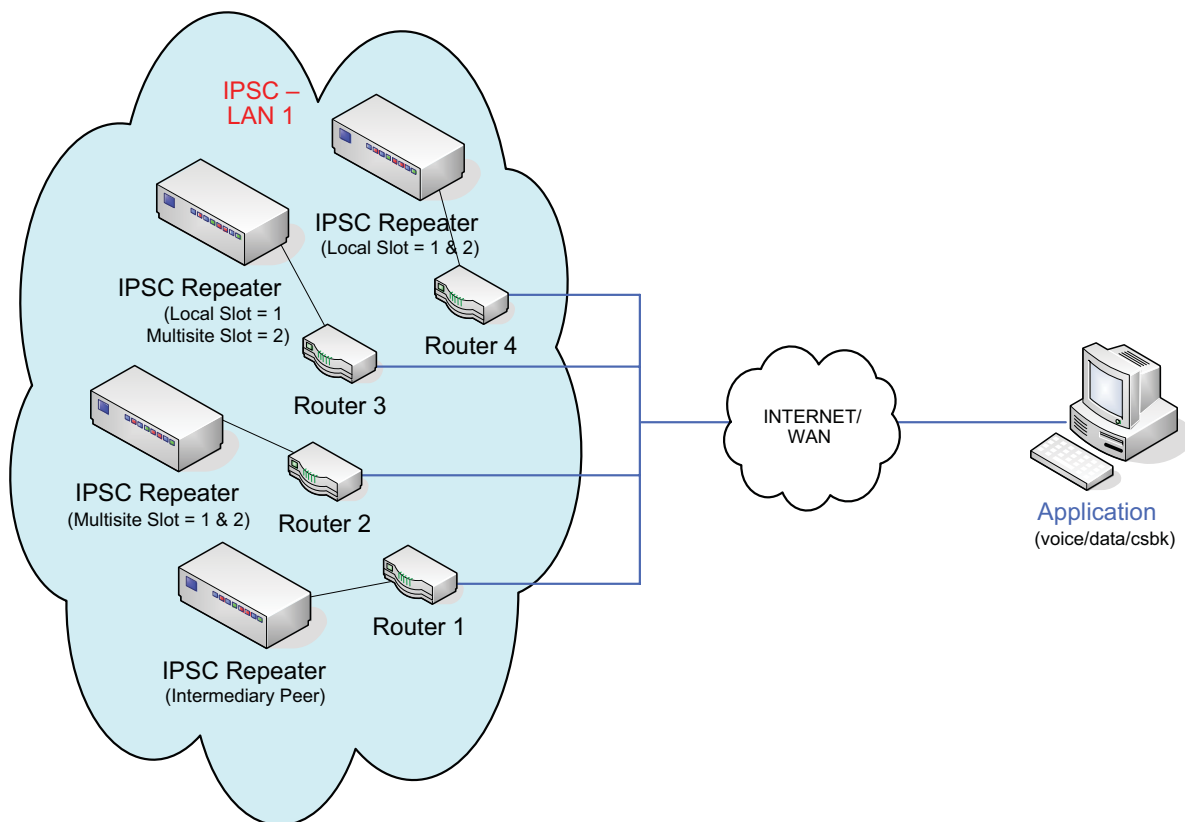


Figure 2-34 IP Site Connect System with IP-based ADP Application

In an IP Site Connect wide area slot configuration, two or more repeaters are connected to provide wider coverage. A call sourced from one repeater slot can be routed over the IP interface and transmitted over-the-air on another remote repeater slot – enabling wide system coverage. On the contrary, an IP Site Connect local area slot configuration (similar to a conventional) provides only local coverage over-the-air for a single active call. Additionally, a wide or local area slot configuration can also be supported on a single repeater depending on the system configuration.

2.18.2.2 ADP Interface with Capacity Plus

Figure 2-35 illustrates an IP-based ADP application interfacing with a Capacity Plus system.

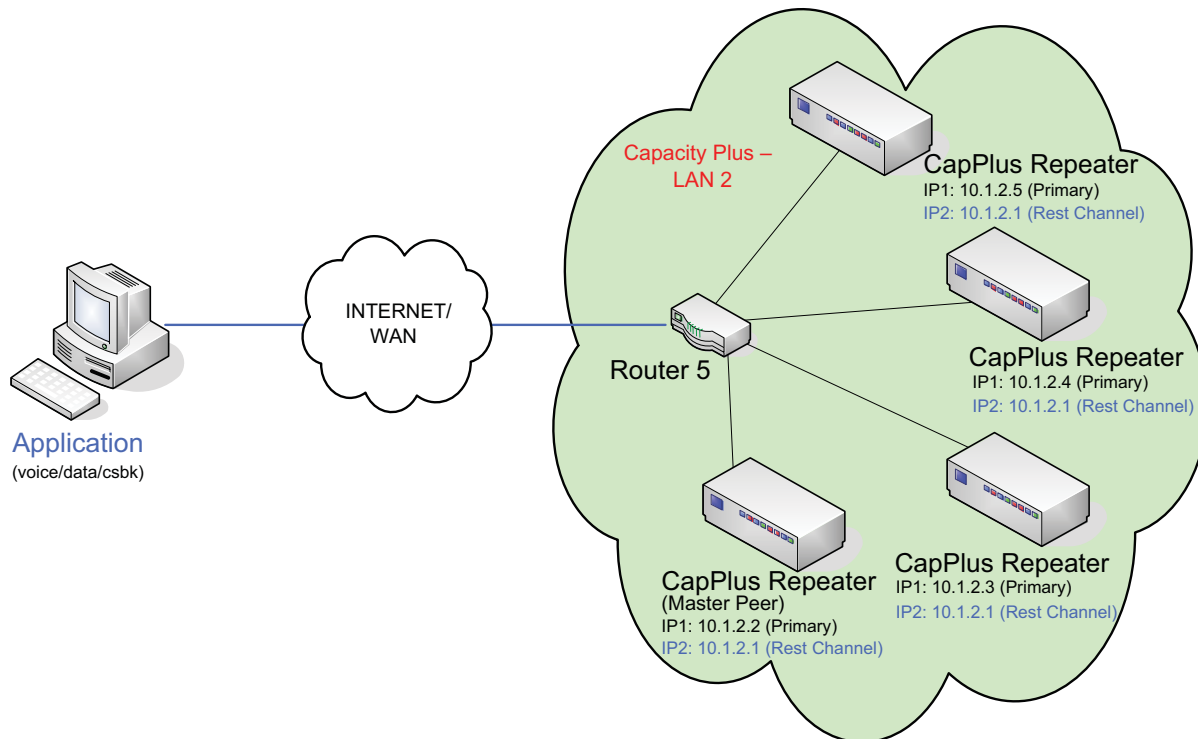


Figure 2-35 Capacity Plus System with IP-based ADP Application

A Capacity Plus repeater manages system level channel access and assignment schema, defined as Rest Channel management. The Rest Channel is the available repeater channel in a system that can be accessed by a radio (for inbound over-the-air transmission) or an IP-based application (for outbound over-the-air transmission). A Capacity Plus system requires configuration of two IP addresses – primary and Rest Channel. Both IP addresses are configurable via the CPS on the repeater. The Master repeater also distributes to the application, the Rest Channel IP address during the registration procedure.

The Capacity Plus repeater supports a LAN or WAN IP network topology. As a result, for WAN topology, ADP methods are required to resolve associated abnormalities (i.e. jitter, delays/latencies, packet duplication, etc) related to unknown IP network's complexities. The Capacity Plus repeaters require knowledge of the Rest Channel movement to support initiation of a radio command call for outbound over-the-air transmission. To abstract the movement of the Rest Channel among the repeaters, all repeaters are required to be configured with a secondary IP address, also known as the Rest Channel IP address (10.1.2.1 as defined in Figure 2-35). The Rest Channel IP address is recommended to be static or global and should be the same on all Capacity Plus repeaters in the LAN. The Rest Channel IP address is used by the repeater to access and reserve the Rest Channel; and thereafter initiate a radio command on a target repeater primary address.

2.18.2.3 ADP Interface with IP Site Connect and Capacity Plus

Figure 2-36 illustrates an IP-based ADP application interfacing with the Capacity Plus and IP Site Connect system concurrently.

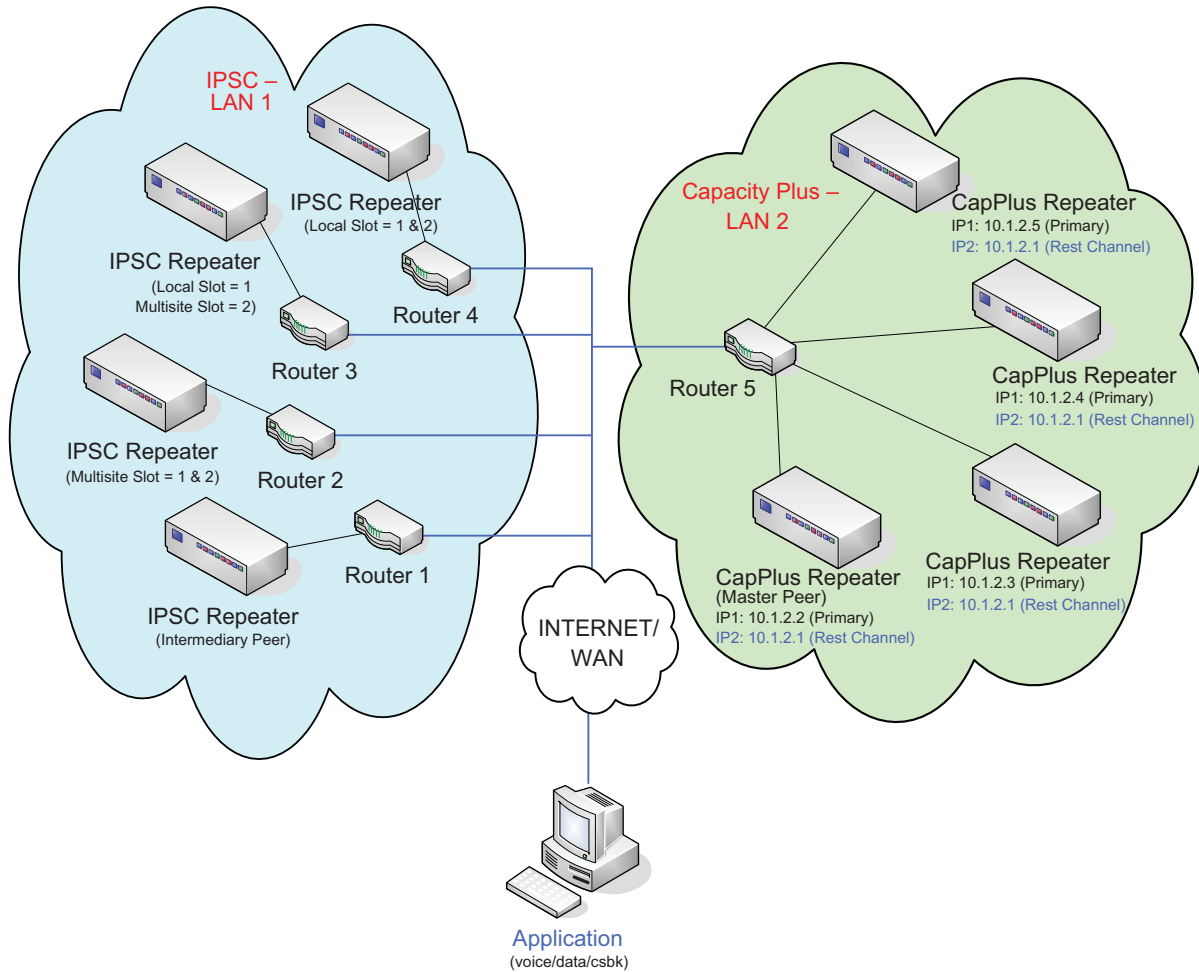


Figure 2-36 Capacity Plus and IP Site Connect System with IP-based ADP Application

The ADP methods to support accessing a concurrent system from a single application requires the application to communicate with two Masters; thereafter establish and handle routing to both systems based on the map information provided by the independent system intermediary. Through the defined ADP methods, it is possible that a single application can also communicate with both the IP Site Connect wide area slot and local area slot configurations.

2.18.3 MOTOTRBO Documents Available via the Third Party Application Partner Program

Each of the interfaces mention in “MOTOTRBO Applications Interfaces” on page 156 is described in detail in the supporting Application Developers Kit (ADK) documentation listed below. An up-to-date list of documents is available from the MOTODEV website and on EMEA Motorola Online.

MOTOTRBO Interface	Application Development Kit
General	MOTOTRBO ADK Overview
	MOTOTRBO Data Services Overview
MOTOTRBO Option Board	MOTOTRBO Option Board ADK Guide
	MOTOTRBO Option Board PROIS Cross-Reference
MOTOTRBO XCMP/XNL	MOTOTRBO XCMP/XNL Development Guide
	MOTOTRBO XCMP/XNL Development Specification
MOTOTRBO Telemetry	MOTOTRBO Telemetry ADK Guide
	MOTOTRBO Telemetry Protocol Specification
MOTOTRBO Location Data	MOTOTRBO Location Data ADK Guide
	MOTOTRBO Location Request and Response Protocol Specification
	Motorola Binary XML Encoding Specification
MOTOTRBO Text Messaging	MOTOTRBO Text Messaging ADK Guide
	MOTOTRBO Text Messaging Protocol Specification
MOTOTRBO Peripheral	MOTOTRBO XCMP-Based IP Capable Peripheral ADK Guide
	MOTOTRBO Non-IP Capable Peripheral ADK Guide
	MOTOTRBO Third-Party Peripheral Cable ADK Guide
MOTOTRBO IP Site Connect	MOTOTRBO IP Site Connect ADK Guideline
	MOTOTRBO IP Site Connect ADK Specification
MOTOTRBO Capacity Plus	MOTOTRBO Capacity Plus ADK Guideline
MOTOTRBO Repeater	MOTOTRBO Repeater XCMP Development Guideline
	MOTOTRBO Repeater XCMP Specification

2.18.4 Available Levels of Partnership

The below list briefly details the different levels of partnership available to third-party developers who wish to join the Third Party Application Partner Program.

Level of Partnership	Description
Registered User	Provided access to non-proprietary documents.
	For developers looking for general information with no specific application planned.
Licensed Developer	Provided access to non-proprietary documents and additional access to Application Development Kits (ADKs).
	Requires License Agreement.
	Level 1 Vendor capability assessment.
	For new developers or developers with one-time applications planned.
Application Partner	Provided access to non-proprietary documents, Application Development Kits (ADKs) and additional access to Motorola's Marketing Support and User Forums, access to use the Motorola logo, and listed as a Motorola partner on the MOTODEV website.
	Requires License Agreement and accreditation by regional ADP manager.
	Level 2 Vendor capability assessment.
	For developers with proven applications.
Level of Partnership	Description
Registered User	Provided access to non-proprietary documents.
	For developers looking for general information about the partner program, available applications and solutions and the process on "How to become a Partner."
Licensed Developer	Provided access to non-proprietary documents and additional access to Application Development Kits (ADKs), technical support, user forums, and use of the Motorola "Licensed Developer" logo.
	Requires License Agreement and accreditation by regional Third-Party Application Partner Program manager.
	Level 1 Vendor capability assessment.
	For new developers or developers with one-time applications planned.

Level of Partnership	Description
Application Partner	Provided access to non-proprietary documents, Application Development Kits (ADKs) and additional access to Motorola's Marketing Support and User Forums, access to use the Motorola "Application Partner" logo, and listed as a Motorola Application Partner on the EMEA Motorola Online and the MOTODEV website.
	Requires License Agreement and accreditation by regional Third-Party Application Partner Program manager.
	Level 2 Vendor capability assessment.
	For developers with proven applications.

For further information, to access the ADKs, or to sign up for the ADP, please visit the MOTODEV Application Developers website at:

<https://mototrboDev.motorolasolutions.com>

Notes

SECTION 3 SYSTEM COMPONENTS AND TOPOLOGIES

3.1 System Components

MOTOTRBO consists of numerous components and applications that function together in a system. The first step in designing a system that satisfies the customer's needs is identifying the devices and applications within the system, and then choosing a basic system configuration of how these components will be interconnected. This section defines the different components and applications available, their offered services, and their roles in the system. We will then describe some of the standard system topologies that MOTOTRBO supports.

Please note that all data application modules contained in this system planner are depictions of typical third party data application modules and have been included simply to illustrate certain MOTOTRBO application enabling features.

3.1.1 Fixed End Components

The system contains devices with fixed locations and other devices that are mobile. This subsection covers the devices with fixed locations.

3.1.1.1 Repeater

The MOTOTRBO repeater provides an RF interface to the field subscribers. The repeater is AC and DC-powered and designed to be discreetly mounted on a standard 19" rack found in most communication tower locations. It offers front panel indicators of its current status including real time transmit and receive indicators for each time slot. Once configured through the Customer Programming Software (CPS), the repeater is designed to operate behind the scenes and without the need for further user interaction.

The repeater can either be configured as a standalone repeater or as a repeater connected to a backend network, as in the case of IP Site Connect, Capacity Plus, and Linked Capacity Plus modes. As a repeater, it listens on one uplink frequency, and then re-transmits on a downlink frequency. Therefore a pair of RF frequencies is required for each repeater in the system.

A major advantage of using a repeater in the system is that it allows a greater communication range than would be possible talking from subscriber to subscriber. Multiple repeaters can be installed in strategic locations for the users' coverage to be consistent throughout their required range of operation. However, only in IP Site Connect mode, do the radios seamlessly roam between repeaters. In digital repeater mode, the users must know the coverage range provided by each repeater, and manually switch channels when necessary.

The repeater is capable of operating in either digital mode, analog mode, or in Dynamic Mixed Mode. This is determined at the initial configuration, and is not updated dynamically. Therefore at any given time, it either operates as a digital repeater, as an analog repeater, or as a Dynamic Mixed Mode repeater.

When configured for analog operation, the repeater is designed to operate with existing analog systems, therefore making migration to a MOTOTRBO system smoother.

When configured for digital operation, the repeater offers additional services. The digital repeater operates in TDMA mode, which essentially divides one channel into two virtual channels using time slots; therefore the user capacity is doubled. The repeater utilizes embedded signaling to inform the field radios of the busy/idle status of each channel (time slot), the type of traffic, and even the source and destination information.

Another advantage during digital operation is error detection and correction. The further a transmission travels, the more predominant the interference becomes, and inevitably more errors are introduced. The receiving MOTOTRBO radio, operating in digital mode, utilizes built-in error detection and correction algorithms, native to the protocol, to correct these problems. The MOTOTRBO repeater uses the same algorithms to correct the errors prior to retransmission, thus repairing any errors that occur on the uplink; it then transmits the repaired signal on the downlink. This greatly increases the reliability and audio quality in the system, which increases the customer's coverage area.

In digital mode, the repeater only retransmits digital signals from radios configured with the same system identifier. This aids in preventing co-system interference. The repeater does not block transmissions of radios within its own system.

As previously described, the repeater utilizes embedded signaling to announce the current status of each channel. It is up to the radios in the field to interpret these signals, and grant or deny their user's request for transmission. Therefore, when a user or a group of users utilizes a channel (time slot), the repeater announces that the channel is being used and who is using it. Only radios that are part of that group are allowed to transmit. The repeater additionally allows a short duration of reserved time after a transmission. This allows other users in the group to respond to the originator. This reserved hang time greatly improves the continuity of calls, because new calls cannot start until the previous call ends. Without this feature, users may experience delays in responses (that is, between transmissions of calls), due to other calls taking over the channel in-between their transmissions.

After this reserved hang time, the repeater continues to monitor for a short period. If no user transmits on the channel for a duration of time, the repeater stops transmitting. When the next radio transmission occurs, the repeater begins repeating again.

In Dynamic Mixed Mode, the repeater dynamically switches between analog and digital calls. When a repeater repeats a new digital call that starts on one of the logical channels, the repeater does not qualify any analog call including an Emergency Call until the digital call (both the transmission and call hang time) is over and the corresponding channel hang time has expired. Upon the expiry of channel hang time, only then does the repeater start qualifying both analog and digital calls simultaneously. Similarly, if an analog call is being repeated, the repeater does not qualify any digital call including digital data and Emergency Calls on any of the two logical channels until the analog call is over and the corresponding hang time has expired.

The repeater 4-wire interface and over-the-air digital calls are polite to each other. If the PTT button or knockdown GPIO pin is asserted on the repeater 4-wire interface while a digital transmission is ongoing, then an audible channel busy alert tone is generated on the speaker pin of the 4-wire interface. The PTT button press or pin knockdown operation is denied.

In IP Site Connect, Capacity Plus, and Linked Capacity Plus modes, the repeaters perform the following additional duties:

- Each repeater ensures that their communication links with other repeaters are open all the time.

- They inform their operating status (e.g. mode, IPv4/UDP address) to each other. In Capacity Plus and Linked Capacity Plus, repeaters also inform the status of their logical channels to each other. Based on these status, a repeater selects the next Rest Channel.
- In IP Site Connect and Linked Capacity Plus modes, repeaters ensure that in cases of multiple calls starting within a short period, only one call per destination prevails at all the associated sites and all of them (except those that detect interference) repeat the selected call.
- They inform their alarm conditions and provide diagnostic information to the RDAC-IP application. The RDAC-IP application allows its user to remotely change the mode of a repeater.

3.1.1.2 MTR3000 Base Station/Repeater

The MOTOTRBO MTR3000 base station/repeater provides a modular, flexible analog and digital station designed for today's communication systems and for the future.

The MTR3000 is an integrated data and voice base station/repeater designed to deliver increased capacity, spectral efficiency, integrated data applications and enhanced voice communications. The base stations are available for use in the following configurations:

- Analog Conventional
- Digital (MOTOTRBO)
 - MOTOTRBO DMR Tier 2 Conventional – Single Site
 - MOTOTRBO DMR Tier 2 Conventional – IP Site Connect
 - MOTOTRBO Capacity Plus Trunking
 - MOTOTRBO Linked Capacity Plus Trunking
 - MOTOTRBO Connect Plus Trunking
 - MOTOTRBO Transmit Interrupt
 - MOTOTRBO Dynamic Mixed Mode (DMM)
 - MOTOTRBO Enhanced GPS
- LTR Trunking
- Passport Trunking

3.1.1.2.1 MTR3000 Key Features

The following are key features for the UHF and 800/900 MHz release:

1. Wireline Card (supports integrated Tone Remote and DC Remote Control)
2. Analog RSSI
3. Hear clear (800/900 MHz only)
4. MTR2000 MOTOTRBO Digital Upgrades for low and high power stations

3.1.1.2.2 MTR3000 Standard Features

- Operates in analog or MOTOTRBO digital mode with a LED indicating mode of operation
- Migration path from analog to digital mode

- 12.5 or 25 kHz programmable channel spacing
- Operation down to 8 W
- Reliable 100 W Continuous Duty Cycle Operation
- Analog and digital conventional are all standard in one base station without the cost of additional software or hardware
- Restriction of Hazardous Substances (RoHS) compliant
- Switching power supply functions over a wide range of voltages and frequencies

3.1.1.2.3 MTR3000 Programmed in MOTOTRBO Mode

- Supports two simultaneous voice paths in digital 12.5 kHz TDMA
- Divides an existing channel into two timeslots delivering twice the capacity through a single repeater
- Supports MOTOTRBO IP Site Connect for increased wide area coverage
- Supports MOTOTRBO Capacity Plus Single Site Trunking without a separate hardware controller
- Supports MOTOTRBO Linked Capacity Plus Multi Site Trunking without a separate hardware controller
- Supports MOTOTRBO Dynamic Mixed Mode to facilitate your analog-to-digital migration in conventional repeater applications
- Supports MOTOTRBO Transmit Interrupt for greater subscriber unit control and flexibility

3.1.1.2.4 MTR3000 Serviceability

- Repeater diagnostic and control software provides remote or local site monitoring
- Easy to replace components with functionally separate Field Replaceable Units (FRU)
- Software-based design simplifies feature upgrades
- Easy access to station ports (no need to remove the front panel) shortening installation and maintenance time
- For ease of installation, minimal station alignment is needed
- Supported by Motorola's 2-year standard warranty

3.1.1.2.5 Total Cost of Ownership

- Analog Conventional, Digital Conventional are standard in one base station without the cost of additional software
- Twice the spectral efficiency; one frequency pair provides two logical voice paths
- Effectively twice the power efficiency as compared to two analog stations when operating in digital mode
- Integrated Components optimizes expensive site space; one physical station provides the capacity of two in digital mode

3.1.1.2.6 Wireline Interface Board

The MTR3000 Wireline board is used to connect an analog audio source and sink (such as a console) to the MTR3000 Base Station/Repeater. The Wireline board supports Tone and DC.

Remote Control modes that allow for channel selection and PTT signaling from compatible consoles. Local PTT operation is also supported. The Wireline can be configured for either 2-wire or 4-wire operation as needed.

The table below provides a description of the impedance supported by the Wireline board.

Option	Functionality
High Impedance	For use with an external impedance matching
600 Ω	For Argentina, Canada, Chile, Columbia, Ecuador, El Salvador, Guam, Hong Kong, India, Indonesia, Japan, Jordan, Kazakhstan, Kuwait, Macao, Malaysia, Mexico, Oman, Pakistan, Peru, Philippines, Russia, Saudi Arabia, Singapore, South Korea, Taiwan, Thailand, UAE, USA and Yemen
270 Ω + (150 nF 750 Ω)	For Austria, Belgium, Denmark, Finland, France, Germany, Greece, Iceland, Ireland, Italy, Luxembourg, Netherlands, Norway, Portugal, Spain, Sweden, Switzerland, Bahrain, Croatia, Cyprus, Czech Republic, Egypt, Hungary, Israel, Latvia, Lebanon, Malta, Morocco, Nigeria, Poland, Romania, Slovakia and Slovenia
220 Ω + (115 nF 820 Ω)	For Australia, Bulgaria and South Africa
370 Ω + (310 nF 620 Ω)	For New Zealand
900 Ω	For Brazil
320 Ω + (230 nF 1050 Ω)	For United Kingdom
200 Ω + (100 nF 680 Ω)	For China
900 Ω 30 nF	For legacy MTR2000

3.1.1.2.7 Repeater Specifications

The MOTOTRBO repeater is currently available in 12.5 kHz or 25 kHz operation in analog, or 12.5 kHz in digital. The table below shows the available repeater bands and associated power levels that are currently supported.

Repeater Type		DR 3000	
Dimensions (h x l x w)		5.25" x 11.75" x 19" (133.35mm x 298.45mm x 482.59mm)	
Weight		14 kg (31 lbs)	
Power (watts)	UHF 1	1 – 25	25 – 40
	UHF 2	1 – 40 (up to 512 MHz)	1 – 25 (above 512 MHz)
	VHF	1 – 25	25 – 45
	350 MHz	—	
	800 MHz	1 – 30	

Repeater Type		MTR3000		
Dimensions (h x l x w)		5.25"x16.5"x19" (133.35mm x 419.09mm x 482.59mm)		
Weight		19 kg (42 lbs)		
Power	UHF 1/UHF 2	800/900 MHz	VHF	
	8 – 100 W	8 – 100 W	8 – 100 W	

3.1.1.3 MTR3000 Satellite Receiver

The MTR3000 satellite receiver, unlike the base station/repeater, provides a modular, flexible **analog only** station designed for today's communication systems and for the future. It is designed to eliminate "dead zones" in a communications system by improving the "talk-in" coverage on a particular receive frequency when used in a receiver voting system.

The satellite receiver is divided into functional modules that separate the frequency band specific and control circuits. These modules are self-contained functional blocks with module-specific alarms. This design facilitates the field replaceable unit (FRU) concept of field repair to maximize system uptime.

The satellite receiver (T7713A) contains the following:

- Receiver Module
- Station Control Module
- Power Supply Module

- Backplane Board
- Wireline Board (standard)

NOTE:The MTR3000 satellite receiver does not support any transmitter subsystems or digital communications functionality. However, the RDAC application is supported in local and remote network connections.

3.1.1.3.1 Satellite Receiver System

Typically, the satellite receiver connects to a Spectra-TAC™ or a DigiTAC™ comparator. Figure 3-1 shows a typical voting system and the connections of the satellite receivers.

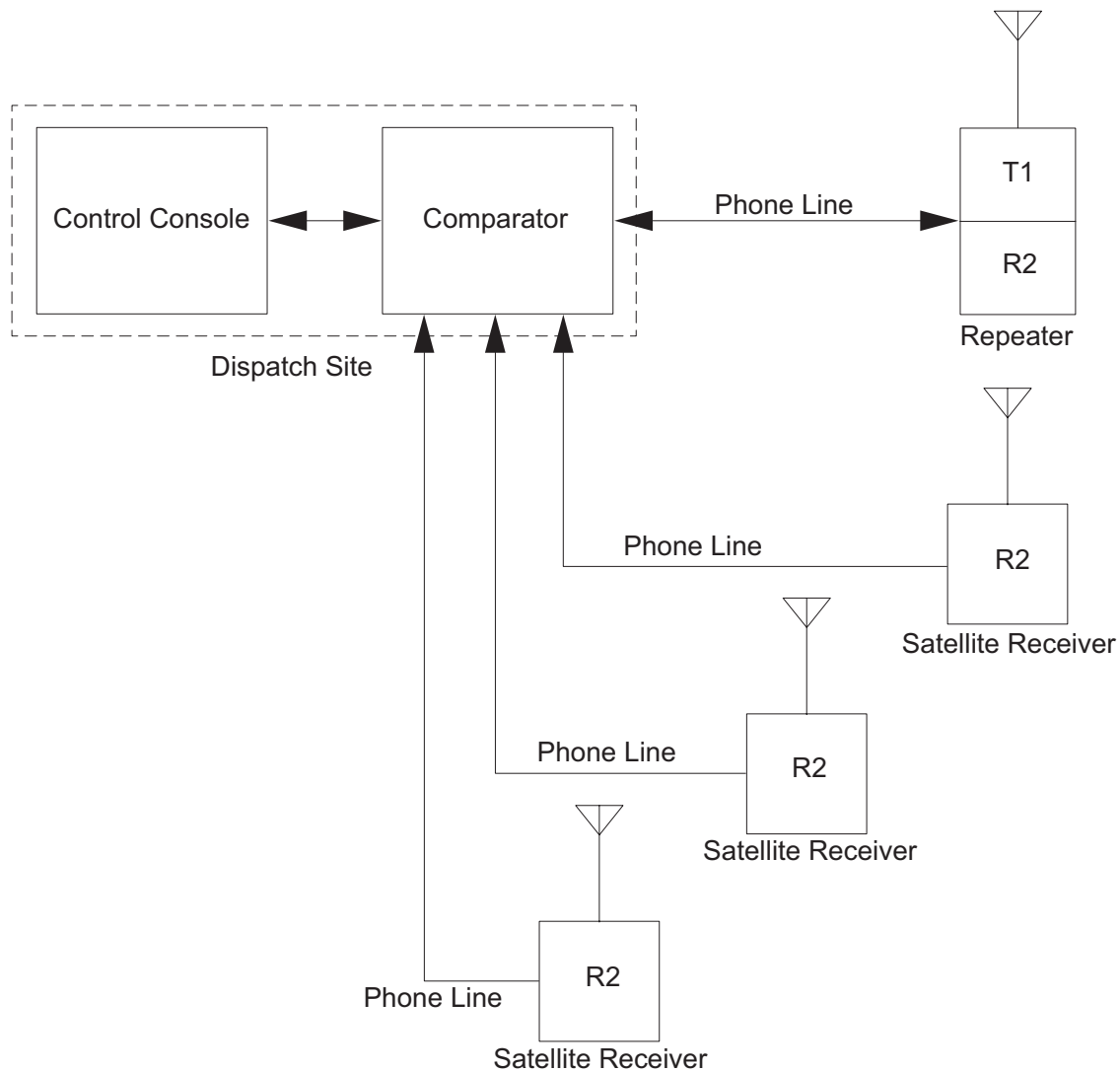


Figure 3-1 Satellite Receiver Connections Within a Voting System

3.1.1.4 Radio Control Station

The MOTOTRBO Control Station is based on the MOTOTRBO Mobile, except that it is configured to be the RF link from the data Application Server to the repeater and other radios. It is integrated with an AC power supply and appropriate housing to be placed on a desk. Since it is the radio gateway to the server, it is configured to transmit and receive on a single channel. It is programmed with a known radio ID, so that field radios know how to contact the server. In a MOTOTRBO system, there can be up to 16 control stations connected via four USB ports; each control station communicates through a separate logical channel, that is a TDMA slot.

In most cases, the Control Station is externally controlled by the PC. It requires no user interaction once programmed. However, if a situation requires the use of a control station to transmit voice, it is capable of transmitting voice as well.

Capacity Plus or Linked Capacity Plus configurations with Data Revert Channels requires a set of control stations to route data from radios to the Server and another set of control stations to route data from the Server to radios. Control stations operating in conventional mode (called Revert Control Stations) are used for routing data messages from radios to a data Application Server. Alternatively, control stations operating in Capacity Plus or Linked Capacity Plus modes (called Trunked Control Stations) are used for routing data messages from the data Application Server to the radios. Unlike Revert Control Stations, idle Trunked Control Stations move with the Rest Channel and therefore are on the same channel with all the idle radios. See "Capacity Plus Devices with Data over Trunked Channels" on page 232.

3.1.1.5 MC1000, MC2000, MC2500 Console

The MOTOTRBO mobile in analog mode supports the MC Deskset Series of consoles. The MC Deskset Series provides a complete portfolio of products for a small control room. Each unit provides control of the radio(s) via a compact desk unit offering a choice of control methods: Local and Remote. The portfolio ranges from a simple talk and listen unit to a miniature multi-channel console.

The MC1000 can control a single control station, and provides a selection of up to four frequencies. This unit requires no software for programming.

The MC2000 can also control a single control station, but provides a selection of up to 16 frequencies. Programming this unit is through configuration software installed on a PC.

The MC2500 controls up to 4 control stations, with the ability to patch and multi-select channels. All channels are capable of 16 frequency controls. This unit is programmed through configuration software installed on a PC.

Each unit ships with a power supply and manual. The MC1000 ships with a 110V, 60Hz unit, while the MC2000/MC2500 ship with an 110/220V, 50/60Hz unit.

The MOTOTRBO mobile can be interfaced with the MC1000, MC2000 and MC2500 Desktop Consoles. These consoles allow for remote and local access to the MOTOTRBO Control Station. The interface to the console uses a 26-pin MAP connector. The console interface to the control station consists of TX_Audio, RX_Audio, PTT, Monitor and Channel Activity. Additionally, channel steering is provided by the mobile radio through the GPIO pins, which are configurable using the CPS. Advanced MDC commands are only supported in analog mode and a not in digital mode.

Please refer to the analog console installation manual for more details on analog console configurations.

3.1.2 Mobile Components

Most users of the MOTOTRBO system will be utilizing mobile devices (non-fixed) to access the system. Below are the devices currently available in the following frequency ranges and power levels.

The MOTOTRBO portable is currently available in the following frequency ranges and power levels:

Freq. Band	Frequency Range	Power Level
UHF 1	403 – 470 MHz	1 – 4 Watts
UHF 2	450 – 512 MHz	1 – 4 Watts
VHF	136 – 174 MHz	1 – 5 Watts
800 MHz	806 – 824 MHz 851 – 869 MHz	1 – 2.5 Watts
900 MHz	896 – 902 MHz 935 – 941 MHz	1 – 2.5 Watts

The MOTOTRBO mobile is currently available in the following frequency ranges and power levels:

Freq. Band	Frequency Range	Power Level
UHF 1	403 – 470 MHz	1 – 25 Watts 25 – 40 Watts
UHF 2	450 – 527 MHz	1 – 40 Watts (for 450 – 512 MHz) 1 – 25 Watts (for 512 – 527 MHz)
VHF	136 – 174 MHz	1 – 25 Watts 25 – 45 Watts
800 MHz	806 – 824 MHz 851 – 869 MHz	1 – 35 Watts
900 MHz	896 – 902 MHz 901 – 902 MHz 935 – 941 MHz 940 – 941 MHz	1 – 7 Watts 1 – 30 Watts

3.1.2.1 MOTOTRBO Portable

The MOTOTRBO portable is a durable, but lightweight radio that offers many ways to access the system's features. It is designed to allow users to take it with them anywhere, and yet remain connected to the system.

The following table lists the average battery life for conventional operation at 5/5/90 duty cycle with battery saver enabled, GPS options disabled, no option board, no attached accessories, performing with carrier squelch for analog mode, ETSI DMR Tier 2 standard for digital mode, and transmitting at high power. Actual performance may vary by band and usage characteristics.

Battery Type	Battery Life
NiMH 1300 mAh Battery	Analog: 8 Hours Digital: 11.2 Hours
IMPRES FM Li-ion 1400 mAh Battery	Analog: 8.7 Hours Digital: 12.1 Hours
IMPRES Li-ion 1500 mAh Slim Battery	Analog: 9.3 Hours Digital: 13 Hours
IMPRES Li-ion 2200 mAh Battery	Analog: 13.5 Hours Digital: 19 Hours

The portable is available in two tiers:

- A keypad radio with display, and
- A non-keypad radio with no display.

The portable is fully configurable via the Windows-based CPS. It can be programmed to allow access to all MOTOTRBO features and all channels within the system or can be simplified to only allow limited access. The MOTOTRBO portable can truly be configured to cater to your customer's needs.

3.1.2.1.1 User Interface



Figure 3-2 MOTOTRBO Portable (Display Model)

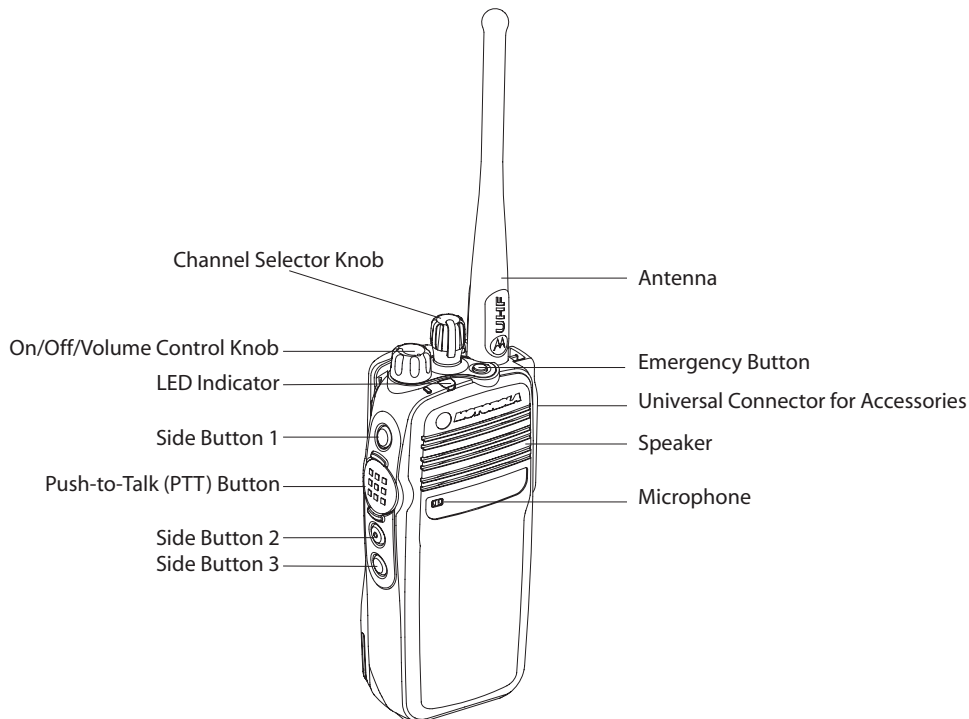


Figure 3-3 MOTOTRBO Portable (Non-Display Model)

The primary buttons of the MOTOTRBO portable offer the user the ability to initiate most system features. These buttons and switches should be very familiar to radio users.

Push-to-Talk Button

The large round Push-To-Talk button, or PTT button, is the primary button used to initiate voice transmissions. Its location is on the left side of the portable, but is still easy to reach for both right-handed or left-handed users. The button is raised from the side and has a raised pattern, so that it is easily found even under low light conditions. Pressing the PTT button starts a voice transmission on the selected channel. This enables the user to simply push and talk.

Channel Selector Knob

The MOTOTRBO portable user chooses his communication environment by twisting the 16 position channel knob on the top of the portable radio. This Channel Selector Knob is the main way a user uses to access the system. It also has a raised pattern, so it too is easy to find under low light conditions. Although easy to find, it is designed to require some force to turn it, so as not to be accidentally rotated through normal user activities. Each knob position can be programmed to access a different channel within the radio's programming. This allows the user to quickly switch between analog and digital channels and even different groups.

But the user is not limited to 16 channels. He can place up to 16 channels into a zone, and then switch between multiple zones. This greatly increases the number of available channels to the user.

Programmable Buttons

There are programmable buttons on the MOTOTRBO portable. The display portable has 6 programmable buttons, while the non-display portable only has 4 programmable buttons. Each button can be programmed to perform a particular function. The short press and long press can be programmed to act differently. The orange button located on the top of the radio is commonly used to initiate emergency alarms, although it can be configured to function differently.

Status Indicators

There are a few different ways to provide feedback to the user. Depending on its color and state, a large tri-colored LED on the top of the radio indicates whether the radio is transmitting or receiving, and whether the selected channel is busy or idle. The LED busy indication represents the presence of RF activity on the selected channel and is not specific to the digital slot currently being monitored. The MOTOTRBO keypad portable with display also has a two-line LCD that displays a wide variety of information including received signal strength, battery power, emergency status, received text message indicator, monitor on/off, and GPS status. This display also allows each channel name to be displayed, so that the user knows the name of the selected channel. The source ID and target group alias are also displayed. User names are kept in an address book. This allows the user to assign user-friendly names as aliases to a radio ID. Various alert tones, talk permit tones and keypad tones are also available to give additional audio feedback to the user.

Menu System

In addition to accessing system features via buttons, the MOTOTRBO keypad portable with display offers a menu shown on its two line LCD display. With use of a menu button, left and right arrow buttons, a back/home button, and an OK button for selection, users can easily navigate through the following additional features.

- Contacts
- Scan

- Messages
- Call Logs
- Utilities

For further details on these menus, please see the MOTOTRBO portable user manual.

Full Keypad

The MOTOTRBO keypad portable with display offers a full numeric keypad for users to manually enter target addresses for system features. This keypad is also used as an alphanumeric keyboard for text messaging. The non-display portable does not come with a keypad.

3.1.2.1.2 Voice Feature Support

With use of the MOTOTRBO portable interface, the user has access to all the voice features the MOTOTRBO system as to offer. These features include Group Calls, Private Calls, All Calls, and Emergency Calls.

3.1.2.1.3 Command and Control Feature Support

Command and control system features like Radio Check, Call Alert, Remote Monitor, Radio Enable/Disable are all accessible from the MOTOTRBO portable's user interface.

3.1.2.1.4 Analog Compatibility

The radios can be programmed to support many current analog system features. Supported analog features include:

- Analog communications on a 12.5/25 kHz channel (as standard),
- Private-Line (PL) and Digital Private-Line (DPL) coded squelch control (as standard),
- MDC signaling.

3.1.2.1.5 Integrated GPS Antenna and Receiver

The MOTOTRBO portable can contain an internal GPS receiver that works with the Location Services / Tracking Data Application. The location application and radio can be configured so that the radio transmits its location to a centralized application. The GPS antenna is integrated into the portable's main antenna. In the LCD display on the radio, an icon indicates if the radio is in range of the GPS satellites.

3.1.2.1.6 Text Messaging Compatibility

The MOTOTRBO portable can receive and transmit text messages. These can be Quick Text (pre-defined) messages already stored on the portable. In the case of keypad radio with display, freeform messages also can be created using the keypad. Through the menu, the user can access the Inbox that contains all the messages he has received. The radio allows a user to send a text message to an individual, a dispatcher or a group of radios. He can also reply to and forward text messages to other radios.

Do note that all the features mentioned apply to the radio's built-in text messaging as well as to "mobile on a PC" text messaging.

3.1.2.1.7 Accessory and Peripherals Interface

The MOTOTRBO portable radio supports an improved accessory and peripherals interface. This new interface is Motorola's platform for future accessory development, and is not compatible with older accessories. It supports the following capabilities:

- **Enhanced Audio Functionality** – This unique technology enables communication between the radio and Motorola's enhanced accessories to optimize audio performance. It enables more consistent audio levels between accessory types. So headsets, remote speaker mics, or the radio's built-in mic and speaker sound more consistent and interoperate more effectively. It also optimizes audio quality performance for a given accessory type, by employing digital signal processing (DSP) technology to best match the radio's audio signals to the capabilities of the accessory.
- **USB Capability** – The MOTOTRBO accessory and peripherals interface incorporates the standard Universal Serial Bus (USB) capability, thus enabling IP connectivity via standard USB ports with personal computers and other peripherals via a Motorola-supplied cable. This interface supports radio programming capabilities with no Radio-Interface-Box (RIB) required. It also supports third-party applications by enabling interfaces for IP data service, telemetry services, text messaging and location tracking. Refer to "Third Party Application Partner Program" on page 156 for more details on Third Party Application Partner Program.
- **Core peripheral** – The MOTOTRBO accessory and peripherals interface also includes core functionality for audio input and output, PTT, monitor, receive unsquelch, channel steering, and other general purpose input-output (GPIO) functions. This enables interface with dispatch and telemetry applications and other traditional radio system applications.
- **RF input/output** – The MOTOTRBO accessory and peripherals interface also includes antenna signal (RF input/out) for use with future accessories such as public safety style microphones and vehicular adaptors.
- **Rugged and Submersible** – The MOTOTRBO accessory and peripherals interface meets IP57 requirements (submersible to 1 meter for 30 minutes), thus enabling development of rugged and submersible accessories.

3.1.2.2 MOTOTRBO Mobile

The MOTOTRBO Mobile is designed to be located in a vehicle and powered by the vehicle's battery or by AC power. Its durable construction makes it safe to use in most in-vehicle environments. It also can be used on desktops that are not truly mobile. Similar to the portable, the mobile offers numerous ways to access the system's features.

The mobile is available in two tiers:

- A radio with full display, and
- A radio with numeric display.

The mobile is fully configurable via the Windows-based configuration software (CPS). It can be programmed to allow access to all MOTOTRBO features and all channels within the system, or can be simplified to only allow limited access. The MOTOTRBO Mobile can truly be configured to cater to your customer's needs.

3.1.2.2.1 User Interface

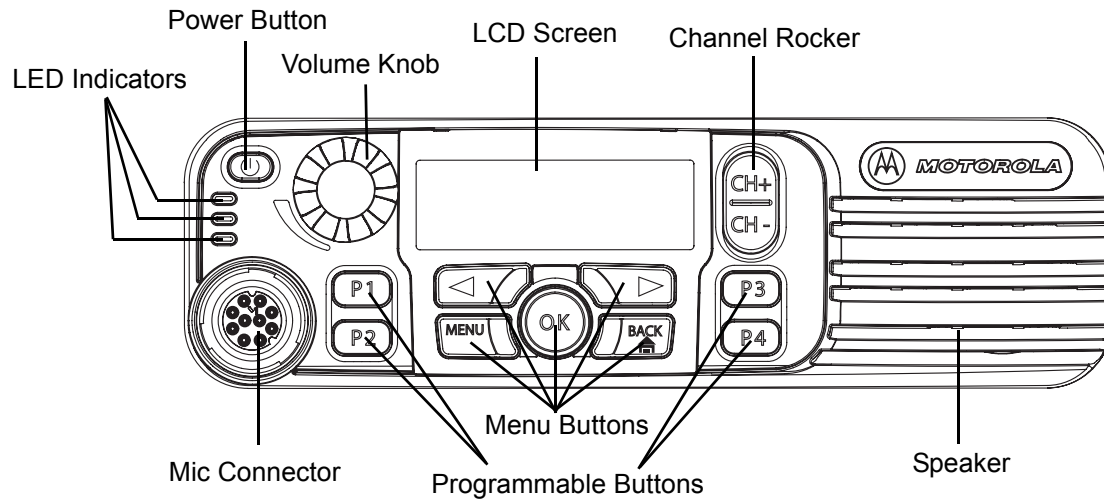


Figure 3-4 MOTOTRBO Mobile Control Head (Full Display Model)

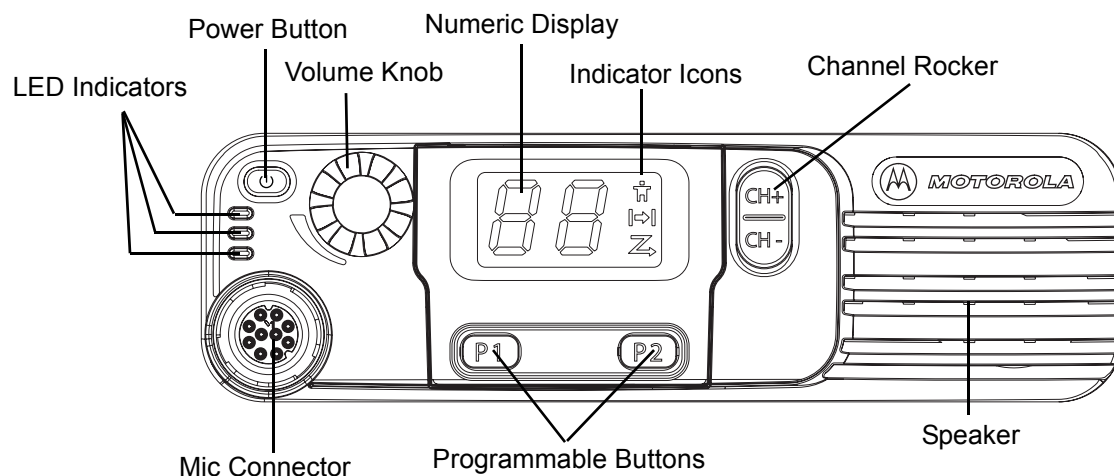


Figure 3-5 MOTOTRBO Mobile Control Head (Numeric Display Model)

The primary buttons of the MOTOTRBO Mobile offer the user the ability to initiate most system features. These buttons and switches are the corner stone of the radio and should be very familiar to radio users.

Push-to-Talk Button

The Push-To-Talk (PTT) button on the microphone is the primary button used to initiate voice transmissions. The cable connecting the microphone to the mobile is long enough to be comfortably used by either a right handed or left handed user. The button is raised from the side and has a raised pattern so that it is easily found in the low light conditions. Pressing the PTT starts a voice transmission on the selected channel. This enables the user to simply Push and Talk. The MOTOTRBO mobile can also interface to other accessories such as a Visor Microphone, a Foot Switch and an enhanced full keypad microphone. Motorola Original™ accessories provide an easy way to turn the MOTOTRBO mobile radio into a custom communication solution to fit your business requirements.

Channel Rocker

The MOTOTRBO Mobile user chooses his communication environment by selecting a channel using the Channel Rocker on the control head. The Channel Rocker has a raised pattern that is backlit so it is easy to find in low light conditions. Although easy to find, it requires some force to push it so as not to change channels through accidentally pressing. Each press can be programmed to access a different channel within the radio's programming. This allows the user to quickly switch between analog and digital channels and even different groups. The user can quickly switch to different channels by pushing the up or down sections of the rocker. This greatly increases the number of available channels to the user.

Programmable Buttons

There are programmable buttons on the MOTOTRBO mobile. The full display mobile has four programmable buttons while the numeric display mobile has two programmable buttons. Each button can be programmed to perform a particular function. The short press and long press can be programmed to act differently. The buttons can be programmed to give quick and easy access to the MOTOTRBO system features, triggering emergency alarms and operating horns or lights.

Status Indicators

The MOTOTRBO mobile provides a multi-colored LED on the front of the radio that informs the user of the busy or idle status of the selected channel. The LED busy indication represents the presence of RF activity on the selected channel and is not specific to the digital slot currently being monitored. The MOTOTRBO Mobile also provides a two line LCD display that shows a wide variety of information, including received signal strength, battery power, emergency status, monitor on/off, and GPS status. This display allows each channel name to be displayed so that the user knows the name of the selected channel. The source ID and target group alias are also displayed for ease of use. User names are kept in an address book. This allows the user to use familiar names as aliases a radio ID. Various audio alert tones, talk permit tones and keypad tones are available to help the user navigate.

Menu System

In addition to the accessing system features via buttons, the MOTOTRBO Mobile offers a menu shown on its two line LCD display. With use of a menu button, left and right arrow buttons, a back/home button, and an OK button for selection, users can easily navigate through the following additional features. The Menu includes:

- Contacts
- Scan

- Messages
- Call Logs
- Utilities

For further details on these menus, please see the MOTOTRBO mobile user manual.

Full Keypad

As an option, the MOTOTRBO Mobile offers an Enhanced Keypad Microphone so that users can manually enter target addresses for system features. Text messaging from the mobile will be available to the end user if the MOTOTRBO mobile is configured with an Enhanced Keypad Microphone. The Enhanced Keypad Microphone has a keypad that also doubles as a keyboard for text messaging.

3.1.2.2.2 Voice Feature Support

With use of the MOTOTRBO Mobile interface, the user has access to all the voice features the MOTOTRBO system as to offer. These features include: Group Calls, Private Calls, All Calls, and Emergency Calls.

3.1.2.2.3 Command and Control Feature Support

Command and control system features like Radio Check, Call Alert, Remote Monitor, and Radio Enable/Disable are all accessible from the MOTOTRBO Mobile's user interface.

3.1.2.2.4 Analog Compatibility

The radios can be programmed to be backwards compatible and can support many current analog system features. These analog channels can be accessed through the Channel Rocker. Supported analog features include:

- Analog communications on a 12.5/25 kHz channel
- Private-Line (PL) and Digital Private-Line (DPL) coded squelch control
- MDC signaling (Emergency, PTT ID and Call Alert)

3.1.2.2.5 Integrated GPS Antenna and Receiver

The MOTOTRBO Mobile can also be purchased to contain an internal GPS receiver that works with the Location services / tracking data application. The location application and radio can be configured so that the radio will transmit its location to a centralized application. The GPS antenna is an external antenna that will have to be mounted on the vehicle. In the LCD display on the radio, an icon will display whether or not the radio is in range of satellites.

3.1.2.2.6 Text Messaging

The MOTOTRBO Mobile can receive and transmit text messages. Through the menu, the user can access an inbox that contains all the messages he has received. When composing a message, the user can generate a free form text message or choose from a list of Quick Text (pre-defined) messages. The MOTOTRBO radio allows a user to send a text message to an individual,

a dispatcher or a group of radios. He can even reply to and forward text messages to other radios. If the MOTOTRBO mobile is not configured with the Enhanced Keypad Microphone, then text messaging can be accomplished through a mobile computer, running the text messaging client connected to the mobile. Using CPS, the radio can be configured to support text messaging internally or forward data to a mobile computer connected to the radio.

Do note that all the features mentioned apply to the radio's built-in text messaging as well as to "mobile on a PC" text messaging.

3.1.2.2.7 Front Panel Accessory Interface

The MOTOTRBO mobile radio supports an improved front panel accessory interface. This new interface is Motorola's platform for future accessory development and is not backwards compatible with older accessories. This interface supports the following capabilities:

- **Enhanced Audio Functionality** – This unique technology enables communication between the radio and Motorola enhanced accessories to optimize audio performance. It enables more consistent audio levels between accessory types, so that users of different microphones will sound more consistent and interoperate more effectively. It also optimizes audio quality performance for a given accessory type, employing DSP (digital signal processing) technology to best match the radio's audio signals to the capabilities of the accessory.
- **USB Capability** – The MOTOTRBO accessory and peripherals interface incorporates standard Universal Serial Bus (USB) capability, enabling IP connectivity via standard USB ports with Personal Computers and other peripherals via a Motorola-supplied cable. This interface supports radio programming capabilities with no RIB box required, from the front (microphone port) connection. It also supports third-party applications by enabling interfaces for IP data service, telemetry services, and text messaging and location tracking; refer to "Third Party Application Partner Program" on page 156 of this document for more details on the Third Party Application Partner Program.
- **Improved Connection** – The MOTOTRBO microphone connection employs a rugged "twist and lock" mechanism for greater durability and connection strength.

3.1.2.2.8 Rear Accessory and Peripherals Interface

The MOTOTRBO mobile radio also supports an improved rear panel accessory and peripherals interface. It supports the following capabilities:

- **USB Capability** – The MOTOTRBO accessory and peripherals interface incorporates standard Universal Serial Bus (USB) capability, enabling IP connectivity via standard USB ports with Personal Computers and other peripherals via a Motorola-supplied cable. This interface supports radio programming capabilities with no RIB box required. This interface also supports third-party applications by enabling interfaces for IP data service, telemetry services, and text messaging and location tracking; refer to "Third Party Application Partner Program" on page 156 of this document for more details on the Third Party Application Partner Program.
- **Core peripherals** – The MOTOTRBO accessory and peripherals interface also includes core functionality for audio input and output, PTT, monitor, receive unsquelch, channel steering, and other general purpose input-output (GPIO) functions. This enables interface with dispatch and telemetry applications and other traditional radio system applications.

3.1.3 Data Applications

For further details on third party applications, refer to “Third Party Application Partner Program” on page 156.

3.2 /dual capacity direct mode System Topologies

The primary element in the design of any private two-way radio communications system is the networking of a fleet of field radios (portable and mobile radios). To set up such a system, the following questions should be asked:

- How many system users require a field radio?
- Which system users need to communicate with each other?
- Where are system users transmitting and receiving from when communicating with other system users?

This information becomes the basis in determining the extent of the required system coverage area, and the creation of its topologies. This information and the desired feature set determines decisions on the system’s topology.

3.2.1 Direct Mode/Dual Capacity Direct Mode (DCDM)

If, within the customer’s required coverage area, any system user can directly communicate with all of the other system users with just the output power of the transmitter in their portable or mobile radio, then a direct mode or dual capacity direct mode system can be used. Direct mode or dual capacity direct mode is direct radio-to-radio communication for systems that do not use a repeater. When radios operate in direct mode/dual capacity direct mode, the radios always transmit and receive on the same frequency. Direct mode and dual capacity direct mode provide similar services to the end users, with the exception that dual capacity direct mode is only available in digital mode, and supports two simultaneous voice/data paths on a 12.5 kHz bandwidth channel while direct mode supports only one. Additionally, there are some minor differences. For example, dual capacity direct mode channels may not be used as GPS revert channels.

The radios are not limited to one direct mode/dual capacity direct mode frequency. They can be programmed to have different frequencies, which are selectable with the channel selector knob.

Direct mode/dual capacity direct mode do not need over-the-air hang time for voice calls (See “Repeater” on page 165.). The radio has an internal call (“talk back”) timer. The channel access method used before the call timer expires is impolite, since the radio is still a member of an active call. This is independent of the Channel Access selection for call initiation (polite or impolite).

3.2.1.1 Digital MOTOTRBO Radios in Direct Mode/Dual Capacity Direct Mode

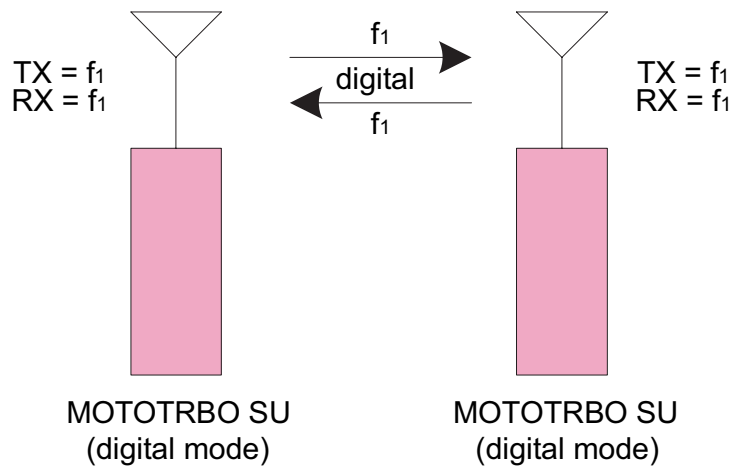


Figure 3-6 MOTOTRBO Radios (in digital mode) In Direct Mode/Dual Capacity Direct Mode

In direct mode/dual capacity direct mode configuration, a single frequency is assigned to all radios to communicate with each other. In digital direct mode/dual capacity direct mode, the radios support all three methods of voice transmission: Group Calls, Private Calls and All Calls. They can also support all command and control messaging like Call Alert, Radio Check, Radio Enable/Disable, Remote Monitor and Emergency.

3.2.1.1.1 Text Messaging in Direct Mode/Dual Capacity Direct Mode

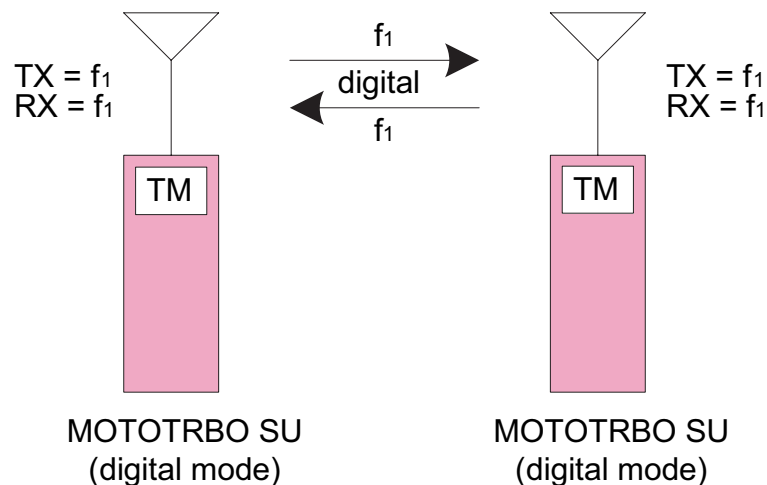


Figure 3-7 MOTOTRBO Radios (in digital mode) Text Messaging In Direct Mode/Dual Capacity Direct Mode

In direct mode/dual capacity direct mode, the MOTOTRBO radios are capable of sending text messages to other radios. Radio to radio text messaging is accomplished by a text messaging

application that is built into the radio. From the front keypad, the radio user can select the target radio, and type a text message.

In order for the text message to be sent successfully to the target radio, both radios need to be on the same frequency. Similar to voice, if multiple direct mode/dual capacity direct mode frequencies are being used, the user must choose the channel his target is on before sending his text message. The radios do not have to be on the same group.

Text messaging and the previously discussed voice services operate on the same frequency. Since data operates in a polite manner, the radio avoids transmitting text messages while any voice service is active. If operating with only field radios, text messages are limited to radio to radio communications.

Text messages can also be sent from radio to radio using a PC attached to the radio. A software-based text messaging client will be installed on the PC. These configurations are commonly used in vehicles or on desktops that do not have LAN connections. Since they can run on AC power or off the in-vehicle battery, mobile radios are usually used for these applications, though a portable can also be used. Note that the radio can be configured to route incoming text messages to itself or to the PC, but not both.

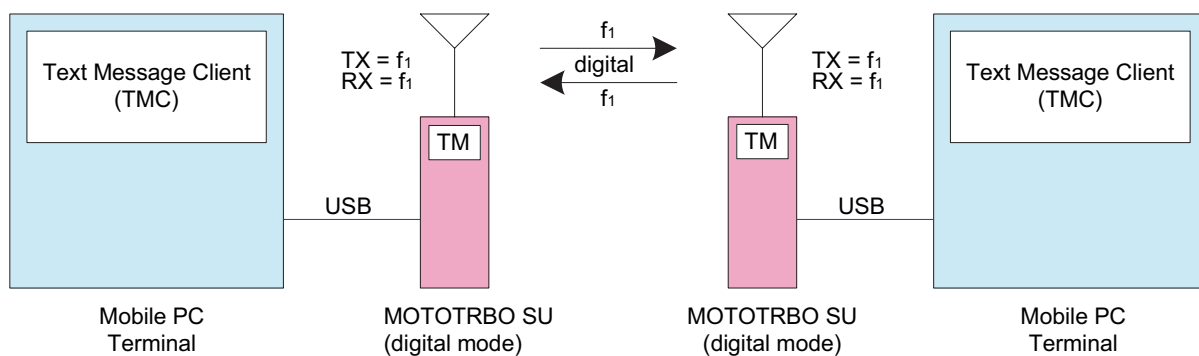


Figure 3-8 MOTOTRBO Radios (in digital mode) Text Messaging In Multiple Direct Mode/Dual Capacity Direct Mode

3.2.1.1.2 Telemetry Commands in Direct Mode/Dual Capacity Direct Mode

Below are some basic telemetry configurations, each with a quick description.

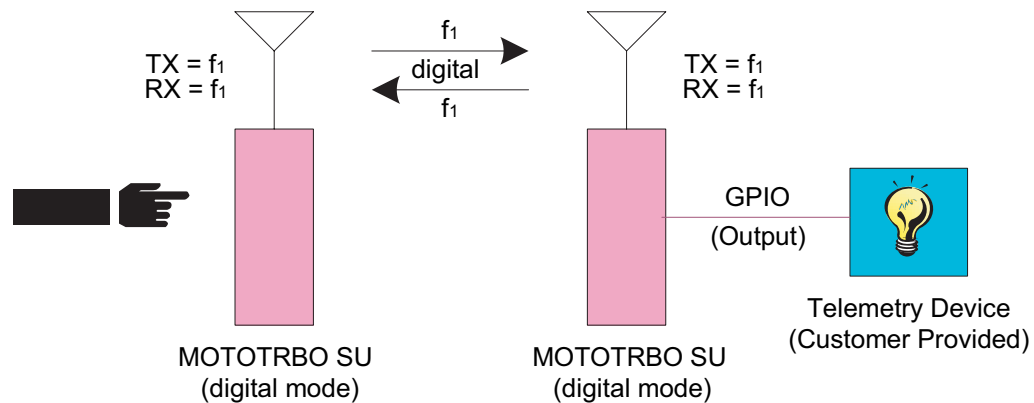


Figure 3-9 Send Telemetry Command from MOTOTRBO Radio to Another MOTOTRBO Radio to Toggle an Output Pin

In the first basic configuration, a portable radio is programmed with a button that sends a pre-configured telemetry command over-the-air to toggle a mobile radio's output GPIO pin. The GPIO pin is connected to external hardware that detects this change at the GPIO pin, and turns on a light. This configuration can be extended to other applications like remotely opening door locks, turning on pumps, or switching on sprinklers. Another application might be to combine the voice from the radio's external audio lines, a relay closure, and a public announcement system to remotely make announcements over the intercom from your portable radio.

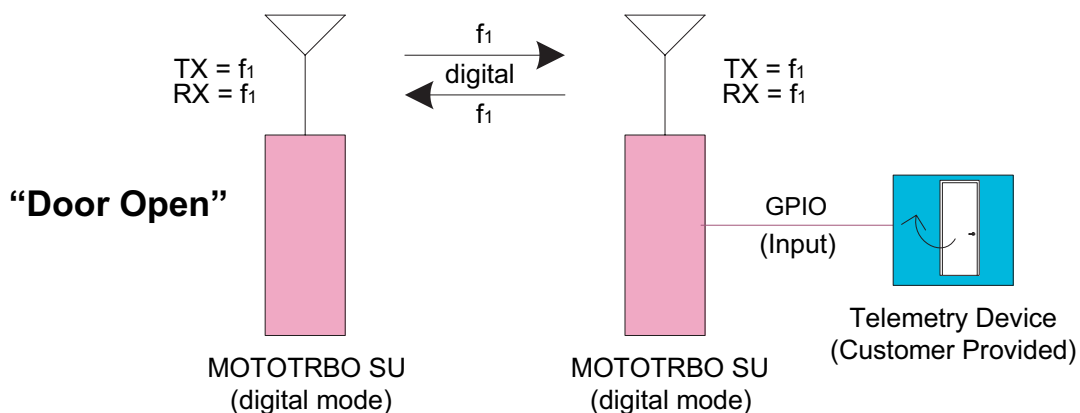


Figure 3-10 Send Telemetry Message from MOTOTRBO Radio to Another MOTOTRBO Radio when Input Pin State Changes

This second basic configuration is a mobile that is connected to a customer supplied external telemetry hardware, which sends an event to one of the mobile's GPIO pins when it detects that a particular door has been opened. Upon detecting the GPIO pin as active, it sends a pre-configured Text Status Message to a particular portable radio. The portable radio displays “Door Opened” to

the user as a popup alert. This basic configuration can be used at remote locations to detect a variety of sensors such as water levels, door and window intrusions, or even motion sensors. Combining the first and second configuration, the user can create complex control systems that initiates a large door to close, and then announces when the door physically closes.

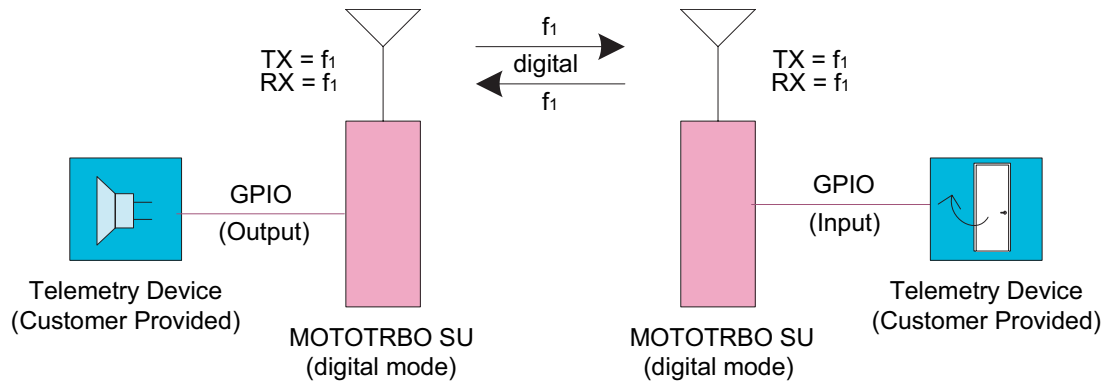


Figure 3-11 Send Telemetry Command to Toggle an Output Pin from MOTOTRBO Radio to Another MOTOTRBO Radio when Input Pin State Changes

The third basic configuration is a mobile that is connected to customer supplied external telemetry hardware, which sends an event to one of the mobile's GPIO pins when it detects that a particular door has been opened. Upon detecting the GPIO pin as active, it sends a telemetry toggle command to another mobile radio. This mobile radio is configured to toggle an output pin, which is connected to telemetry hardware that sounds an alarm. Similar to the other configurations, this method can be extended to a myriad of other solutions such as only opening doors when other doors have been closed, or turning on water pumps when water levels reach a particular level. This configuration can be used to automate the environment of two remote locations. The possibilities are only limited by the designer's imagination.

3.2.1.1.3 Server-Based Data Applications in Direct Mode/Dual Capacity Direct Mode

MOTOTRBO also supports server based data applications in direct mode/dual capacity direct mode. This configuration consists of a PC (referred to as the Application Server) running the server software connected to the radio infrastructure via a mobile radio (or control station). The mobile radio is usually AC powered. The mobile is configured as a control station, therefore it routes all data to the Application Server. Since this mobile is the radio gateway to the server, it is configured to transmit and receive on a single channel. The control station is programmed with a known radio ID, so the field radios know how to contact the server. The server and the control station (connected via USB) must be located in the center of the customer's coverage area since all field radios are expected to communicate with it. There can only be one Application Server per system.

One key service offered by the server based configuration is radio presence notification. The Presence Notifier is required to reside on the Application Server. The purpose of the Presence Notifier is to track whether field radios are currently present on the system. Upon power-up or channel change, the MOTOTRBO radio transmits a registration message to the control station connected to the Application Server, where the Presence Notifier resides. The Presence Notifier then informs other data applications that the radio is available to receive and transmit data messages.

Typically, location applications require a server-based configuration and the Presence Notifier to operate. The Location Server application is installed on the Application Server machine with the Presence Notifier. When a radio registers with the Presence Notifier, it informs the Location Server that this radio is now on the system. The Location Server then sends out a service availability message through the control station to the radio informing it how often to send in periodic updates, and what to do if an emergency is initiated.

Location Dispatch applications request a radio's location information from the Location Server application, and display the radio's location on a map. A Location Dispatch application can reside on the Application Server as well. The diagram below depicts this configuration.

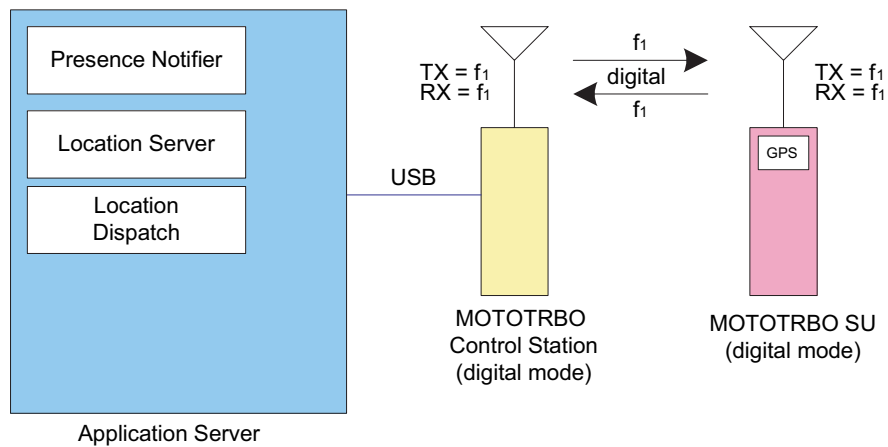


Figure 3-12 MOTOTRBO Radios In Digital Direct Mode/Dual Capacity Direct Mode with Location Server and Local Location Client

Text Messaging also uses a server based configuration. Similar to the Location Server, the Text Message Server application is installed on the Application Server machine with the Presence Notifier. When a radio registers with the Presence Notifier, it informs the Text Message Server that the radio is now on the system. The Text Message Server then sends out a service availability message through the control station to the radio informing it how it can communicate with the Text Message Server. Text Message Dispatch applications communicate with the Text Message Server in order to send and receive messages to and from the radio network via the connected control station. A Text Message Dispatch application can reside on the Application Server as well.

As previously described, radios can send text messages to each other without communicating through the Text Message Server. But in order to send and receive text messages to Text Message Dispatchers, the Text Message Server configuration is required. The diagram below

depicts this configuration. This configuration also works with external text message applications connected to the field radios.

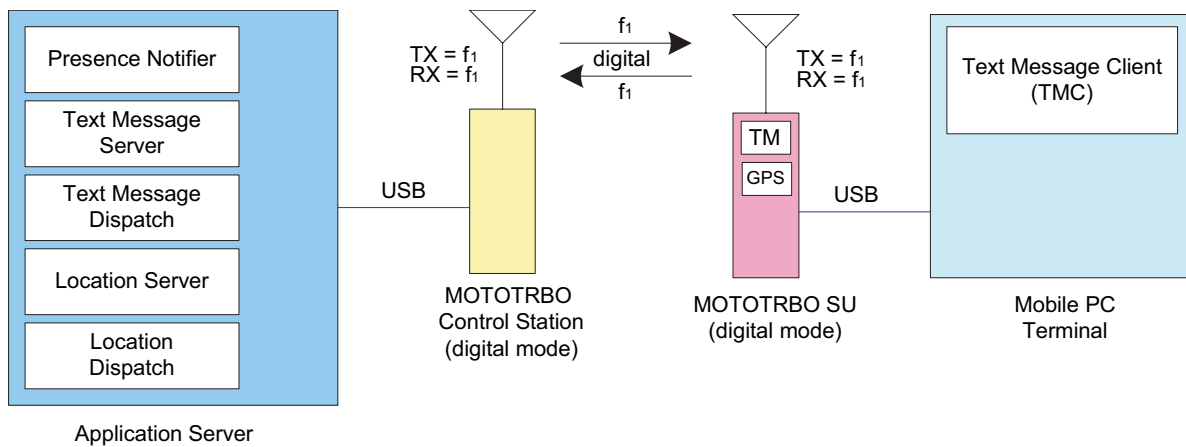


Figure 3-13 MOTOTRBO Radios In Digital Direct Mode with Text Message Server, Location Server and Local Dispatchers

This configuration can be expanded by locating up to four Text Message Dispatchers and four Location Dispatchers throughout the customer's Enterprise Network. Up to four installations of each application can be located anywhere on the customer's LAN, as long as they can communicate with the Application Server. The Dispatcher installation on the Application Server counts as one of the instances of the dispatch software. The diagram below shows two instances

of each application. One is on the Application Server and one remote. The applications can reside on the same remote machine, if desired.

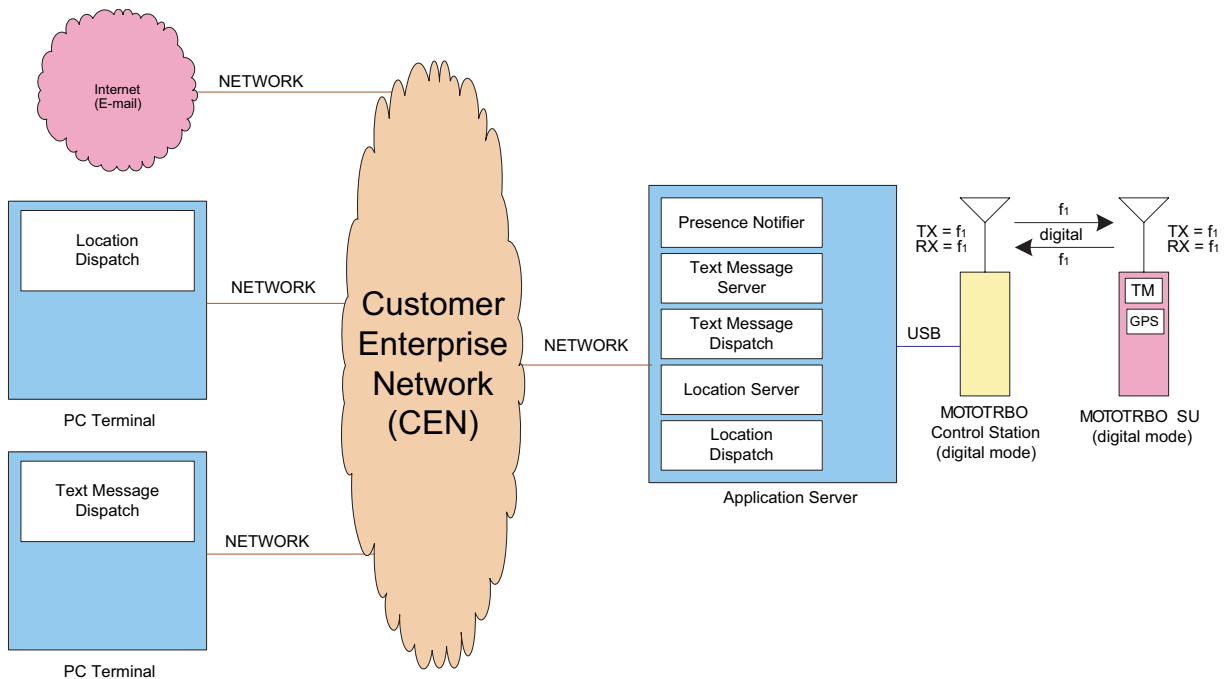


Figure 3-14 MOTOTRBO Radios In Digital Direct Mode/Dual Capacity Direct Mode Server Based Configuration with Remote Dispatchers

Another Text Message service that is only available in a server based configuration is the ability to receive and send text messages to external e-mail addresses. This allows PCs or pagers and cell phones that are text message capable on the system to send e-mail messages. In order for the Text Message Server to communicate with the outside world, the Application Server must have access to the internet. When a radio sends a text message to a Text Message Dispatcher, and it is identified as an external e-mail address in the Text Message Server, the Text Message Server will forward the text message to the designated e-mail address.

The Text Message Server forwards incoming e-mails in a similar fashion.

3.2.1.1.4 Multi-Channel Server-Based Data Applications in Direct Mode/Dual Capacity Direct Mode

For larger systems that have multiple direct mode/dual capacity direct mode frequencies, the Application Server can be connected to up to 16 control stations. Each control station is configured to communicate on the specified channel and acts as the data gateway for that channel.

Presence registration works in the same manner with this configuration as it does with the single channel configuration. When a radio powers up or changes channels, it sends in a registration to the Presence Notifier via the control station, which then informs the applications of the radio's presence. Each control station has the same radio ID, therefore the field radios transmit their messages to this radio ID regardless of which channel they are on.

Because the field radios are located on different channels, a Multi-Channel Device Driver (MCDD) is required to track the location of each radio, so outbound data from the Application Server can be routed to the appropriate channel. The MCDD is a small piece of software installed on the Application Server. Each control station is handled like a different network interface to the Application Server. When the MCDD sees a registration, it updates the PC's routing table so that any data traffic for that radio is routed out the correct network interface, and therefore through the correct control station and over the correct channel. This allows data applications to simply transmit a data message to the radio, and the MCDD takes care of the routing to the correct channel.

Any channel, that supports data and needs to communicate to the Application Server, needs a dedicated control station.

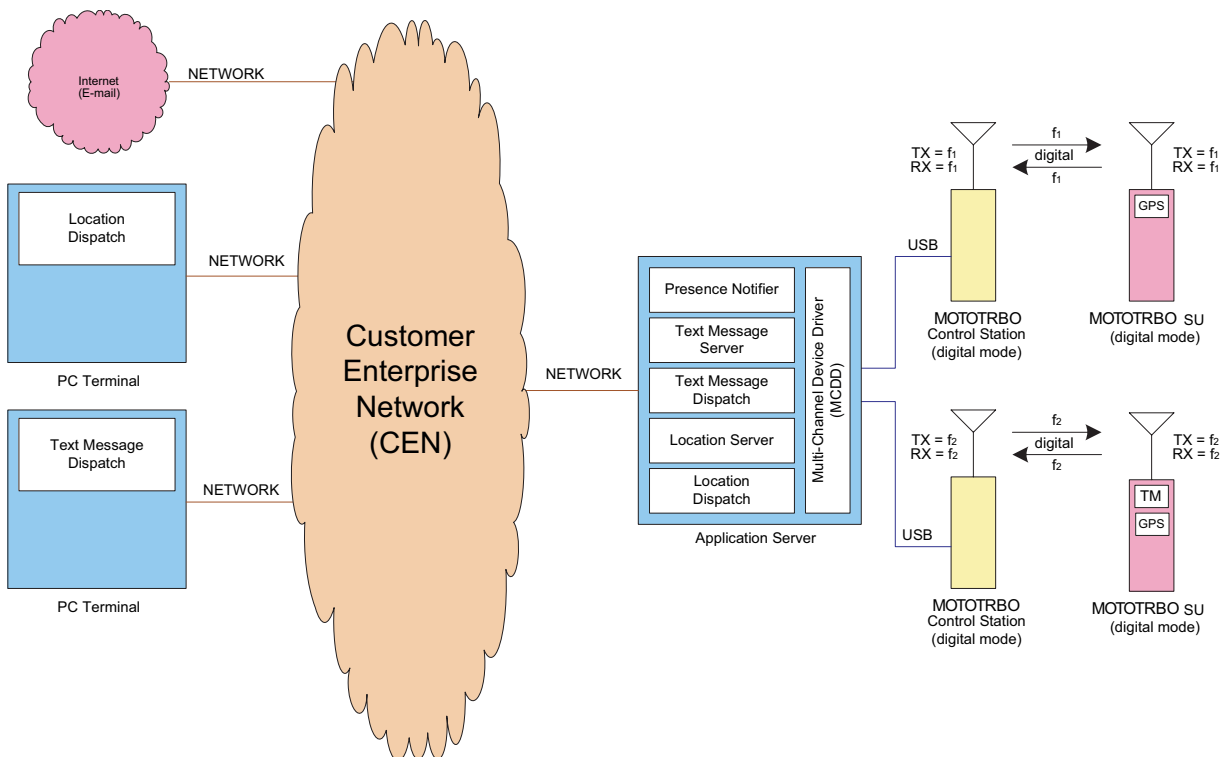


Figure 3-15 MOTOTRBO Radios in Two Channel Digital Direct Mode Server-Based Configuration with Remote Dispatchers

3.2.1.1.5 GPS Revert in Direct Mode/Dual Capacity Direct Mode

With the addition of the GPS Revert feature, it is now possible to transmit Location Update messages on channels other than the Selected Channel (See “GPS Revert Channel” on page 54 for configuration information). The diagram in Figure 3-16 illustrates this concept in its simplest form while operating in direct mode/dual capacity direct mode. The dual capacity direct mode operation is similar to direct mode in GPS revert scenarios, with the exception that a dual capacity direct mode channel can not be used as a GPS revert channel. As a result of that, a radio can revert from a dual capacity direct mode channel, but can not revert to a dual capacity direct mode channel to send the GPS update. In this example, *Channel f1* is the Selected Channel and *Channel f2* is the GPS Revert Channel. Communications such as presence, location requests (Application Server to radio), text and voice occur on the Selected Channel, while all location responses (radio to Application Server) including location updates occur on the GPS Revert Channel. Therefore, a minimum of 2 control stations are required to support GPS Revert.

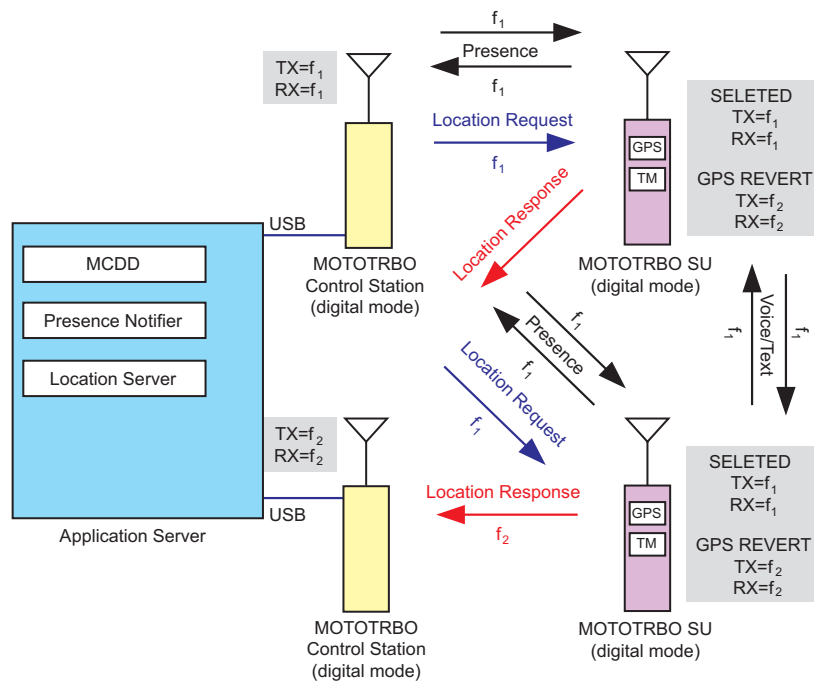


Figure 3-16 MOTOTRBO Radios in Two Channel Direct Mode GPS Revert Configuration

Under a typical scenario, the radio is powered on, and then registers on the Selected Channel with the Presence Notifier and the Location Server. The radio receives a Periodic Location Request and an Emergency Location Request from the Location Server on the Selected Channel. This Periodic Location Request instructs the radio to send location updates at a specific rate, while the Emergency Location Request instructs the radio to send a single Emergency Location Update when an emergency is initiated.

The radio spends the most time on the Selected Channel. The radio only switches to the GPS Revert Channel when a Location Update needs to be transmitted. Since voice transmissions have priority over data transmissions, when the radio is involved in a call on the Selected Channel, the Location Update is queued until after the call is completed. In order to minimize the amount of time spent away from the Selected Channel while on the GPS Revert Channel, the radio **will not** attempt to qualify traffic on the GPS Revert Channel. Therefore, all voice, data, and control

messages transmitted to a radio should never be transmitted on the GPS Revert Channel, as they will not reach their destination.

The example in Figure 3-16 illustrates only one GPS Revert Channel. However, depending on the GPS data load, more than one GPS Revert Channel may be needed. For example, a single large group that generates significant Location Update traffic must be sub-divided across several GPS Revert Channels. Each GPS Revert Channel requires a control station, which must be connected to the Application Server PC. The maximum number of control stations that can be connected to the PC is four.

3.2.1.1.6 Summary of Features in Digital Direct Mode/Dual Capacity Direct Mode (DCDM)

The following features are supported in digital direct mode/dual capacity direct mode:

Digital MOTOTRBO Radios in Direct Mode/Dual Capacity Direct Mode				
Voice Features	Signaling Features	Emergency Handling	Data Calls	Other Features
Group Call	PTT ID and Aliasing	Emergency Alarm	Text Messaging	Scan
Private Call	Radio Inhibit	Emergency Alarm with Call	Location Tracking	Priority Scan
All Call	Remote Monitor	Emergency Alarm with Voice to Follow	Telemetry	Time-out Timer
Voice Interrupt	Radio Check	Emergency Revert	Third-Party (ADP) Applications	Polite to All channel access
–	Call Alert	Emergency Voice Interrupt	GPS Revert (<i>DCDM not supported</i>)	Polite to Own System channel access
–	Remote Voice Dekey	–	Data Over Voice Interrupt	Impolite channel access

*See “Scan Considerations” on page 69 for more information on the different scan modes supported by different topologies.

3.2.1.2 Interoperability between Analog MOTOTRBO Radios and Analog Radios in Direct Mode

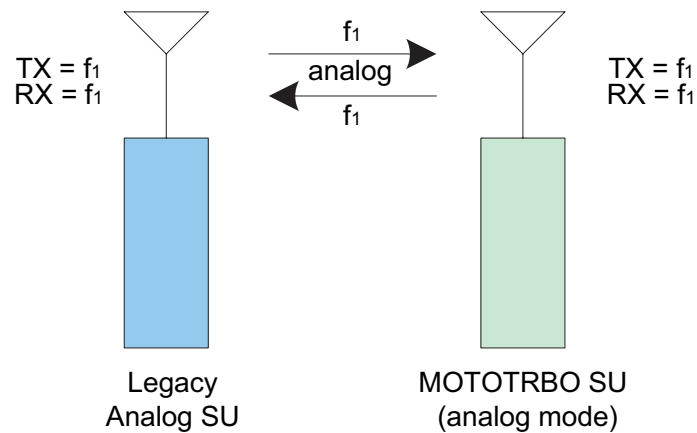


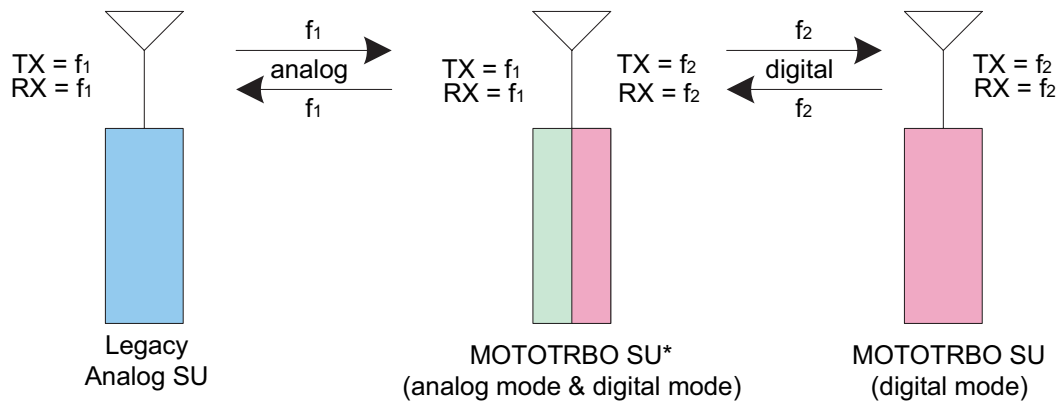
Figure 3-17 Legacy Analog Radios and MOTOTRBO Radios (in analog mode) in Direct Mode

MOTOTRBO radios support analog mode as well. In order for the MOTOTRBO radio to communicate with an analog radio, it must be programmed for analog mode, as well as programmed with the same frequency and parameters (for example, PL and DPL) as the analog radio. While in analog mode, the MOTOTRBO radio supports most standard analog features including a subset of MDC signaling features. While in analog direct mode, the MOTOTRBO radios does not support any of the digital features.

3.2.1.2.1 Summary of Features in Analog Direct Mode

All features listed in “Analog Features” on page 139 are supported in analog direct mode.

3.2.1.3 Interoperability between Digital MOTOTRBO Radios, Mixed Mode MOTOTRBO Radios, and Analog Radios in Direct Mode



* changed via mode choice

Figure 3-18 Legacy Analog and MOTOTRBO Analog and Digital Radios in Direct Mode

In this configuration, a MOTOTRBO subscriber is programmed to talk to an analog radio as well as a MOTOTRBO radio that is programmed for digital only.

In order for the MOTOTRBO radio to communicate with the analog radio, it must be programmed for analog mode, as well as programmed with the same frequency and parameters (for example PL and DPL) as the analog radio.

When in the digital mode, the MOTOTRBO subscriber has all of the digital features that are available in digital direct mode. However, the MOTOTRBO radio user has to manually switch from digital mode to analog mode to communicate with the two groups.

Alternatively, the MOTOTRBO radio user can program the radio to scan between the analog and digital channels to ensure a call is not missed. This can be done from the keypad of the radio or through the CPS. Please see "Scan" on page 66 and "Scan Considerations" on page 69 to learn more about scan.

3.2.1.4 Direct Mode Spectrum Efficiency

A radio frequency (RF) channel with 12.5 kHz spectrum allocation can be configured to support direct mode or dual capacity direct mode via CPS.

When configured to support direct mode, the radio only utilizes a single timeslot for the traffic, while the other timeslot is unused, as shown in Figure 3-19.

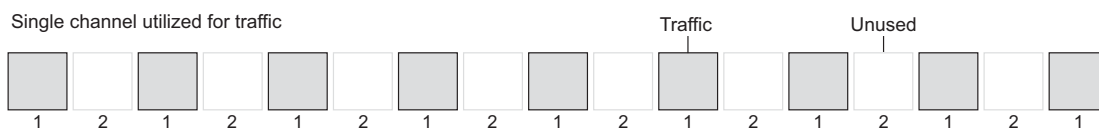


Figure 3-19 Direct Mode Channels

When configured to support dual capacity direct mode, both timeslots can be used for two different calls. This yields dual capacity (2:1 TDMA) spectrum efficiency, as shown in Figure 3-20. The dual capacity direct mode configuration provides equivalent spectral efficiency when compared with ETSI-DMR repeater solutions and 6.25 kHz FDMA solutions.

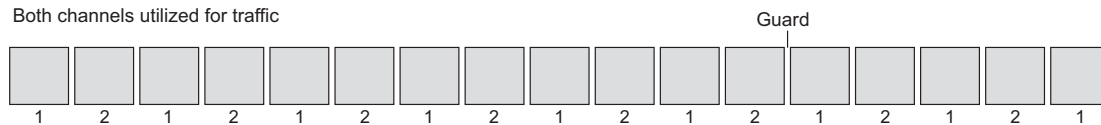


Figure 3-20 Dual Capacity Direct Mode Channels

3.2.2 Dual Capacity Direct Mode

3.2.2.1 General Information

Dual capacity direct mode is a digital feature aimed to benefit end-users who do not have and do not need repeaters, by providing 6.25 kHz spectrum efficiency. When a 12.5 kHz RF channel is configured for dual capacity direct mode, both timeslots are available for independent and simultaneous radio call conversations.

3.2.2.2 Timeslot Synchronization

Since there is no repeater designating a slotting structure and dual capacity direct mode uses both timeslots for the traffic, timeslot synchronization needs to be applied to differentiate timeslot 1 from timeslot 2. In the absence of a repeater, the radios in dual capacity direct mode automatically and cooperatively select a Channel Timing Leader (CTL) and synchronize to the leader's channel timing. This CTL election process is transparent to the end user. For a 12.5 kHz RF channel, only one CTL is elected, that is, the same radio that provides the channel timing for both timeslots irrespective of radio timeslot provisioning and color code provisioning. The selected CTL periodically announces the channel timeslot structure via beacons, and the other radios synchronize with the leader directly or indirectly (via other radios) by following the synchronization information in these beacons. The dual capacity direct mode beacon transmits for 600 milliseconds every 4.5 minutes. This only uses 0.22% of the channel capacity and should have little impact to other services.

3.2.2.3 Channel Timing Leader (CTL) Preference

When operating in dual capacity direct mode, a radio's preference to be a CTL can be CPS configured on a per channel basis as follows:

- **Preferred CTL:** The radios that are always turned on, always selected to dual capacity direct mode channel, never scans or have large transmit coverage are "good" candidates to be the preferred CTL. Whenever possible, a mobile may act as the preferred CTL since synchronization beaconing may drain more battery capacity.
- **Normal Preference:** The default configuration that allows a radio to act as the CTL, but should yield leadership to higher preference candidates.
- **Least Preferred:** This option is not CPS selectable, but is automatically selected when a scan list is attached to the selected dual capacity direct mode channel.

- **Ineligible:** This option may be selected in radios that are “bad” candidates to be a CTL. For example, radios that change channels often, or roam often, and so on, but at least one radio must not be “Ineligible”.

To avoid frequent CTL re-election, it is recommended to assign the same CTL preference to all dual capacity personalities that use the same frequency when configuring a specific radio.

3.2.2.4 Color Code

Similar to direct mode operation, in dual capacity direct mode, color code 0-14 are specified on a per timeslot (channel) basis via CPS provisioning. Color code 15 is reserved for future usage and not available for dual capacity direct mode channels. Different color codes can be used in the two timeslots of an RF channel.

3.2.2.5 Channel Access Rule

Dual capacity direct mode channel access rules are specified on a timeslot (channel) basis via CPS provisioning. The channel access in dual capacity direct mode follows the same rules as defined in Section 2.2.3 “MOTOTRBO Channel Access”.

3.2.2.6 Scan

To enable migration and interoperability, a dual capacity direct mode channel can have a scan list that includes a non-dual capacity direct mode channel, and a non-dual capacity direct mode channel can have a scan list that includes a dual capacity direct mode channel. Therefore, a scan list may include a mixture of dual capacity direct mode and direct mode channels as well as analog and repeater channels. If talkback is enabled and the radio lands on a dual capacity direct mode channel, the radio can talk back in dual capacity direct mode in the proper timeslot.

There may be up to sixteen (16) channels in a scan list, among which the radio uses the DTC to track the channel timeslot structure. The choices for the DTC are: selected channel, last active, or other designated channel. In order for the selected DTC to be easily tracked, it is recommended to use the “selected channel” as the DTC and enable “Talkback”, especially when the selected channel is a dual capacity direct mode channel.

3.2.2.7 Interoperability and Backward Compatibility

A radio may be CPS configured to operate in **repeater mode**, **direct mode**, **dual capacity direct mode**, or **talkaround mode** on different personalities. Direct mode is not as efficient as dual capacity direct mode in spectrum usage. However, it is still supported so that the radio is interoperable with other ETSI-DMR compatible radio and is backward compatible with software versions R02.00.00 or earlier, which can only support direct mode.

A radio operating in dual capacity direct mode is not interoperable with a radio operating in repeater mode, direct mode, or talkaround mode. The radio treats the other radio’s transmission as interference.

3.2.2.8 Revert Features

A radio does not monitor the GPS revert channel hence it does not track the channel timeslot structure on the GPS revert channel. Therefore, dual capacity direct mode channels can not be used as GPS revert channels.

A radio that is selected to a dual capacity direct mode channel may revert to emergency revert channels, or GPS revert channels, or enhanced GPS revert channels.

3.2.3 Repeater Mode

There are a few reasons why a customer may require a repeater in their system. The first is, if the required coverage area is large, they may require strategically located high power repeaters in order to cover all of their operating space. Even if their required coverage area is small, due to geographical limitations such as mountains, valleys or man made obstructions, they may still need multiple high power repeaters to reach all the coverage areas. They also may need the extra bandwidth a repeater offers. One channel may not be able to support a large number of users; therefore additional channels may be required.

In many of these cases, the insertion of a MOTOTRBO repeater can alleviate the problems with minimum additional cost. Such a repeater is transparent to field radio communications. They just select the required channel using their channel selector, and continue their normal communications. However, as in most conventional systems, if the repeater coverage does not overlap, the user needs to know his location, and switch to the other channel when required.

Even just having one MOTOTRBO repeater provides increased user capacity. The digital repeater operates in TDMA which essentially divides one channel into two virtual channels in digital mode; therefore the user capacity doubles. Without the repeater, this TDMA synchronization is not possible. The repeater utilizes embedded signaling to inform the field radios of the status of each channel (time slot). It informs the field radios of each channel's busy/idle status, the type of traffic, and even the source and destination information.

Another advantage during digital operation is error detection and correction. The further a transmission travels, the more interference it encounters, and inevitably more errors are introduced. The receiving MOTOTRBO radio, operating in digital mode, utilizes built-in error detection and correction algorithms, native to the protocol, to correct these problems. The MOTOTRBO repeater uses the same algorithms to correct the errors prior to retransmission, thus repairing any errors that occur on the uplink; it then transmits the repaired signal on the downlink. This greatly increases the reliability and audio quality in the system, which increases the customer's coverage area.

In digital mode, the repeater only retransmits digital signals from radios configured with the same system identifier. This aids in preventing co-system interference. The repeater does not block transmissions of radios within its own system.

As previously described, the repeater utilizes embedded signaling to announce the current status of each channel. It is up to the radios in the field to interpret these signals, and grant or deny their user's request for transmission. Therefore, when a user or a group of users utilizes a channel (time slot), the repeater announces that the channel is being used and who is using it. Only radios that are part of that group are allowed to transmit. The repeater additionally allows a short duration of reserved time after a transmission. This allows other users in the group to respond to the originator. This reserved hang time greatly increases the continuity of calls, because new calls

cannot start until the previous call ends. Without this feature, users may experience delays in responses (that is, between transmissions of calls), due to other calls taking over the channel in-between their transmissions.

After this reserved hang time, the repeater stays active for a short period of time, and offers an opportunity for any user on the system to transmit or start a new call. If no user transmits for a duration of time, the repeater stops transmitting. When the next radio transmission occurs, the repeater starts repeating again.

Most of the basic MOTOTRBO voice and data services work the same in repeater mode as they do in direct mode/dual capacity direct mode. The customer will only notice the increased performance and coverage.

3.2.3.1 Digital MOTOTRBO Radios in Repeater Mode

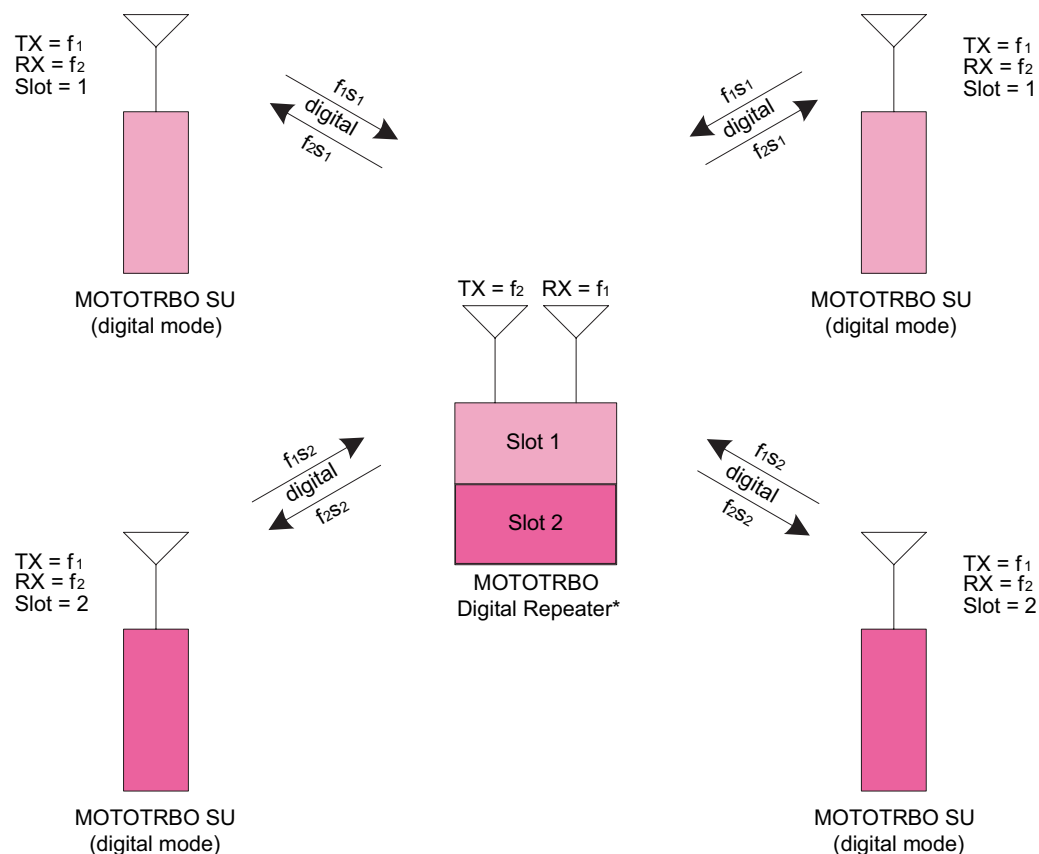


Figure 3-21 MOTOTRBO Digital Radios on MOTOTRBO Two-Slot Digital Repeater

In digital mode, a repeater uses one frequency pair (1-transmit, 1-receive) to support the two logical channels. As mentioned before, this is done by using TDMA technology to divide the physical channel into two time slots. In order to access the repeater, the radio user selects the physical and logical channel using the channel selector. Hence, when operating in repeater mode, the field radios cannot dynamically choose a time slot. Each of the channel selector positions is programmed for a particular digital frequency and time slot. The end user sees, in effect, each time slot as a different conventional channel. Radio groups can be further segmented within the time

slot by assigning different group IDs to each group. Groups on different time slots cannot communicate with each other.

Synchronization is the key to a MOTOTRBO repeater system. It is the role of the repeater to keep this synchronization. When accessed, the repeater begins transmitting idle messages as well as identifying the time slot structure. The radios synchronize to the transmissions from the repeater. When a radio transmits on its time slot, the radio pulses its transmissions in 30ms increments. This allows for simultaneous conversation to occur on the other time slot. While the first radio is pulsed on, the other radio is pulsed off. The repeater receives these two pulsed transmissions, combines them and transmits them in the correct order in one continuous transmission.

Repeater operation supports all three methods of voice transmission: Group Calls, Private Calls and All Calls. They can also fully support all command and control messaging like Call Alert, Radio Check, Radio Enable/Disable, Remote Monitor and Emergency.

3.2.3.1.1 Text Messaging in Repeater Mode

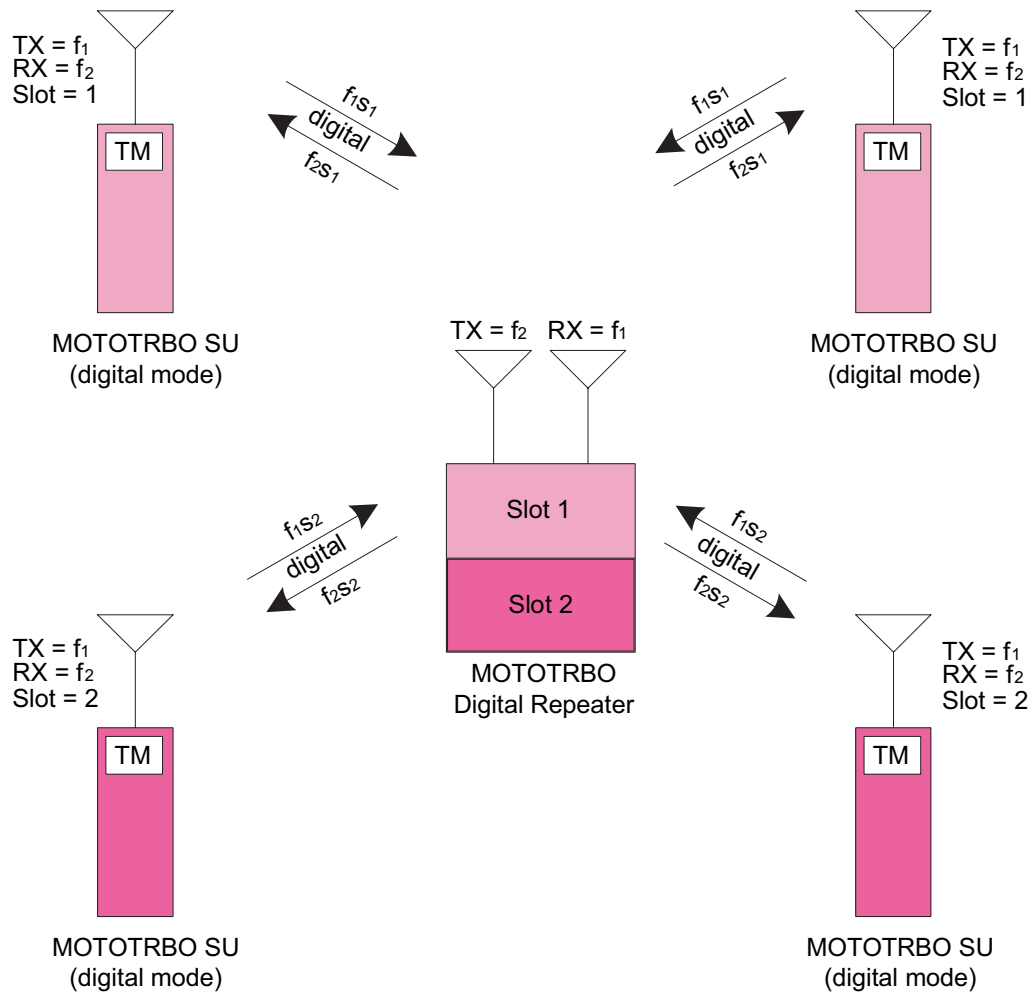


Figure 3-22 MOTOTRBO Radios in Digital Two-Slot Digital Repeater Mode with Built-In Text Messaging

In repeater mode, the MOTOTRBO radios are capable of sending text messages to other radios. Radio to radio text messaging is accomplished by a text messaging application that is built into the radio. From the front keypad, the radio user can select the target radio, and type a text message.

In order for the text message to be sent successfully to the target radio, both radios need to be on the same channel and time slot. Similar to voice, if multiple direct mode/dual capacity direct mode frequencies are being used, the user must choose the channel his target is on before sending his text message. The radios do not have to be on the same group.

Text messaging and the previously discussed voice services operate on the same channel and time slot. Since data operates in a polite manner, the radio avoids transmitting text messages while any voice service is active. If operating with only field radios, text messages are limited to radio to radio communications.

Text messages can also be sent from radio to radio using a PC attached to the radio. A software-based text messaging client will be installed on the PC. These configurations are commonly used in vehicles or on desktops that do not have LAN connections. Since they can run on AC power or

off the in-vehicle battery, mobile radios are usually used for these applications, though a portable can also be used. Note that the radio can be configured to route incoming text messages to itself or to the PC, but not both.

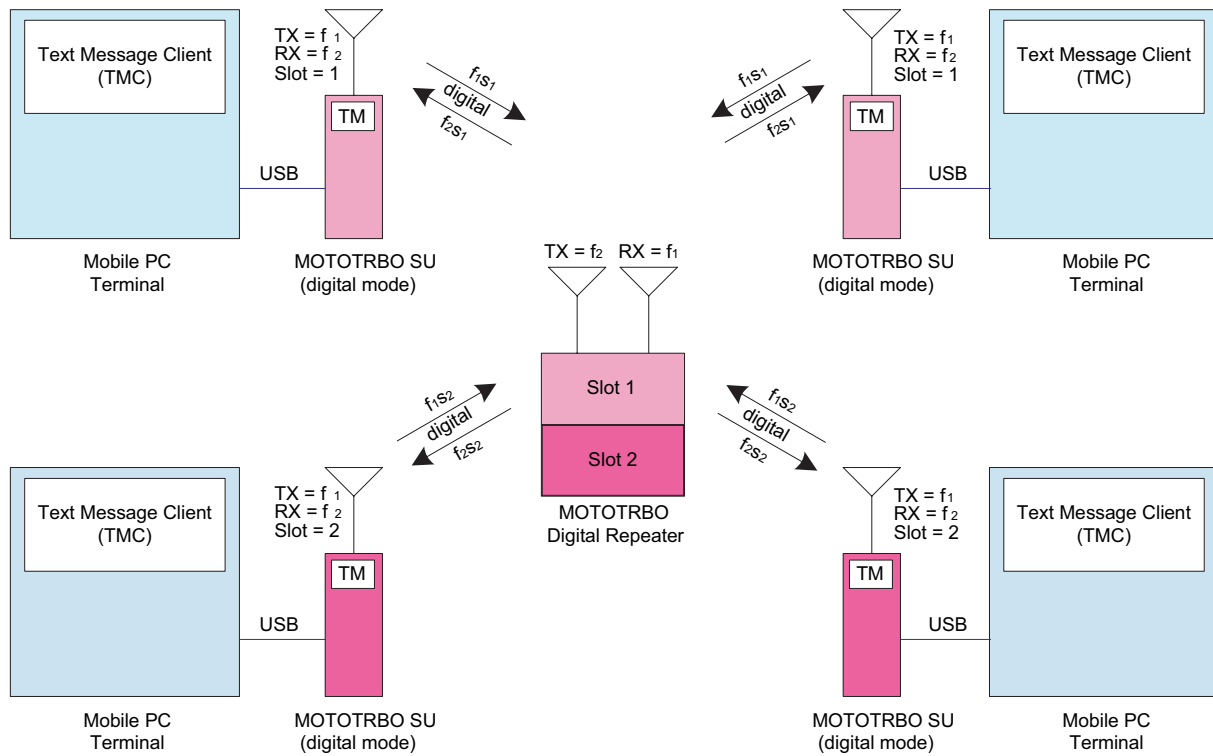


Figure 3-23 MOTOTRBO Radios in Digital Two-Slot Digital Repeater Mode with Text Messaging

3.2.3.1.2 Telemetry Commands in Repeater Mode

Below are some basic telemetry configurations using both time slots of a repeater. A description of each follows.

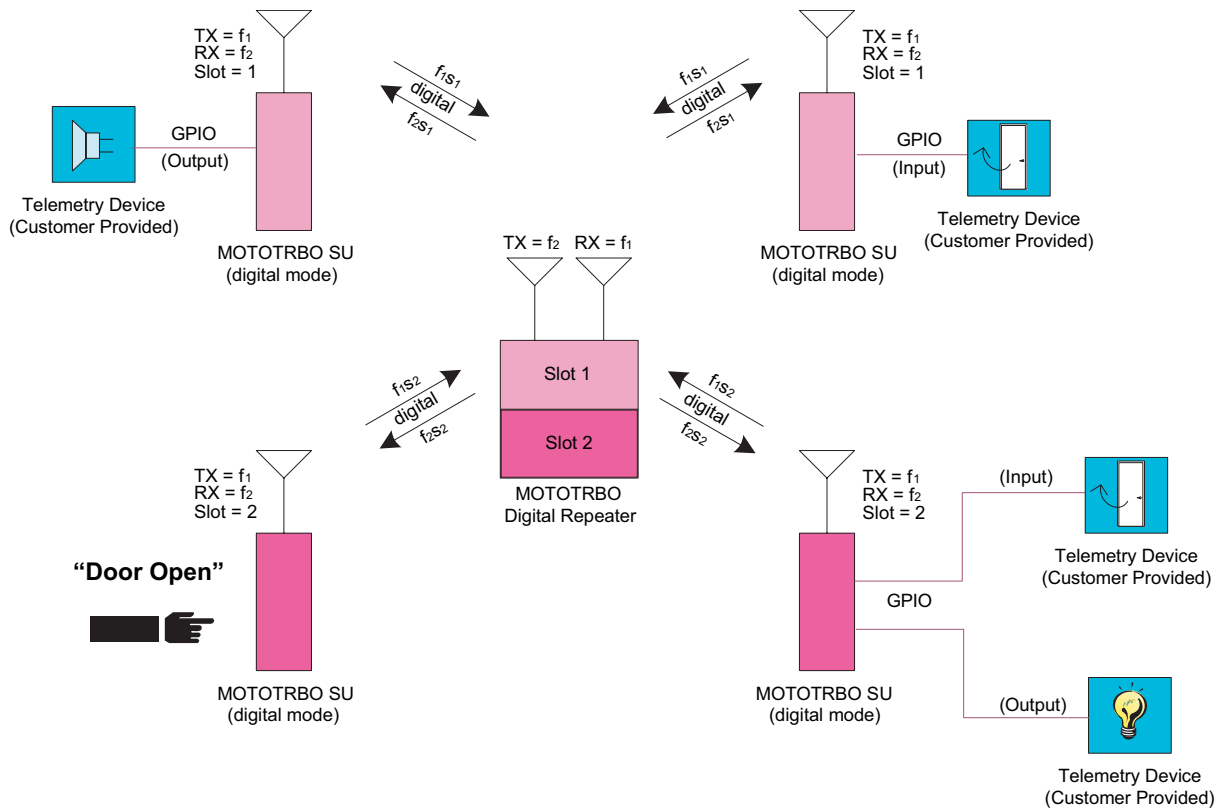


Figure 3-24 MOTOTRBO Radios in Digital Two-Slot Digital Repeater Mode with Telemetry Functions

In the first basic configuration a portable radio is programmed with a button (shown by the pointing finger above) that sends a preconfigured telemetry command over-the-air on the second time slot to toggle a mobile radio's output GPIO pin. The GPIO pin is connected to external hardware that detects the closure and turns on a light (shown by a light bulb above). This configuration can be extended to such things as remotely opening door locks, turning on pumps, or switching on sprinklers. Another application might be to combine the voice from the radio's external audio lines, a relay closure, and a public announcement system to remotely make announcements over the intercom from your portable radio.

This second basic configuration is a mobile configured on the second time slot, connected to customer supplied external telemetry hardware (shown by the door icon in lower right corner), detects a closure that signifies a door has been opened. Upon detecting the GPIO pin as active, it sends a pre-configured Text Status Message to a particular portable radio. The portable radio displays "Door Opened" to the user as a popup alert. This basic configuration can be used at remote locations to detect a variety of sensors such as water levels, door and window intrusions, or even motion sensors. Combining the first and second configuration, the user can create complex control systems that initiates a large door to close, and then announces when the door physically closes.

The third basic configuration is a mobile configured on the first time slot, connected to customer supplied external telemetry hardware, detecting a closure that signifies a door has been opened (shown by door in upper right corner). Upon detecting the GPIO pin as active, it sends a telemetry toggle command to another mobile radio on the first time slot. This mobile radio is configured to toggle an output pin which is connected to telemetry hardware that sounds an alarm (shown by alarm on upper left corner). Similar to the other configurations, this method can be extended to a myriad of other solutions such as only opening doors when other doors have been closed or turning on water pumps when water levels reach a particular level. This configuration can be used to automate the environment of two remote locations together. The possibilities are only limited by the designer's imagination.

3.2.3.1.3 Server Based Data Applications in Repeater Mode

MOTOTRBO also supports server based data applications in repeater mode. This configuration consists of a PC (referred to as the Application Server) running the server software connected to the radio infrastructure via a mobile radio. The mobile radio is usually AC powered. The mobile is configured as a control station, therefore it routes all data to the Application Server. Since this mobile is the radio gateway to the server, it should be configured to transmit and receive on a single channel (frequency and time slot). The control station is programmed with a known radio ID so the field radios know how to contact the server. The server and the control station (connected via USB) must be located in an area that is in good coverage of the repeater it is communicating with. If there are multiple repeaters covering a large geographical area, the Application Server's control stations must be located in good coverage of each repeater. This is important since it is common for the overlap between repeaters to be small and often only in low signal strength areas. There can only be one Application Server per system.

One key service offered by the server based configuration is radio presence notification. The Presence Notifier is required to reside on the Application Server. The purpose of the Presence Notifier is to track whether field radios are currently present on the system. Upon power-up or channel change, the MOTOTRBO radio transmits a registration message to the control station connected to the Application Server, where the Presence Notifier resides. The Presence Notifier then informs other data applications that the radio is available to receive and transmit data messages.

Each frequency and time slot that needs to communicate with the Application Server needs to have its own control stations. The Application Server can be connected to up to 16 control stations. Each control station is configured to communicate on the specified frequency and time slot and acts as the data gateway for that channel. Therefore a MOTOTRBO system can support server based data on up to two repeaters, each with two time slots.

When a radio powers up or changes channels it sends in a registration to the Presence Notifier via the control station on its frequency and time slot, which in turn informs the applications of the radio's presence. Each control station has the same radio ID, therefore the field radios transmit their messages to the same radio ID regardless of which frequency and time slot they are on. Because the field radios are located on different time slots, there needs to be a method to track the location of each radio so that outbound data from the Application Server can be routed to the appropriate time slot. This is the purpose of the Multi-Channel Device Driver (or MCDD). The MCDD is a small piece of software installed on the Application Server. Its purpose is to keep track of which interface each radio is currently located on. Each control station is handled like a different network interface to the Application Server. When the MCDD sees a registration from a radio, it updates the PC's routing table so that any data traffic targeted towards that radio will be routed out the correct network interface, therefore out the correct control station and over-the-air frequency

and time slot. This allows data applications to simply transmit a data message to the radio and the MCDD takes care of the routing to the correct frequency and time slot.

Any channel that supports data and needs to communicate to the Application Server needs a dedicated control station. Below is a diagram of this configuration.

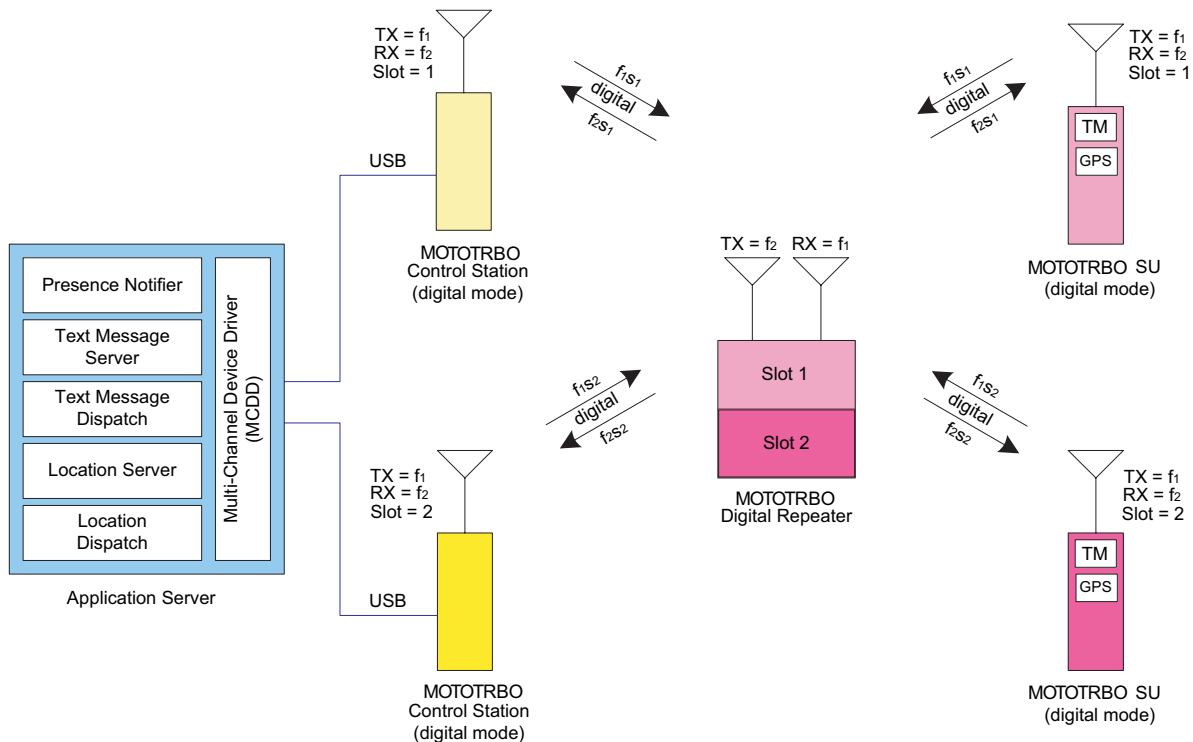


Figure 3-25 MOTOTRBO Radios in Digital Two-Slot Digital Repeater Mode with a Server-Based Configuration

Typically, location applications require a server-based configuration and the Presence Notifier to operate. The Location Server application can be installed on the Application Server machine with the Presence Notifier. When a radio registers with the Presence Notifier, it informs the Location Server that this radio is now on the system. The Location Server then sends out a service availability message through the control station to the radio informing it how often to send in its periodic updates and what to do if an emergency is initiated.

Location Dispatch applications request a radio's location information from the Location Server application, and display the radio's location on a map. A Location Dispatch application can reside on the Application Server as well.

Text messaging also uses a server based configuration. Similar to the Location Server, the Text Message Server application can be installed on the Application Server machine with the Presence Notifier. When a radio registers with the Presence Notifier, it informs the Text Message Server that the radio is now on the system. The Text Message Server then sends out a service availability message through the control station to the radio informing it how it can communicate with the Text Message Server. Text Message Dispatch applications communicate with the Text Message Server in order to send and receive messages to and from the radio network via the connected control

station. Like the Location Dispatch, the Text Message Dispatch application can reside on the Application Server too.

As previously described, radios can send text messages to each other without communicating through the Text Message Server. But in order to send and receive text messages to Text Message Dispatchers, the Text Message Server configuration is required. This configuration also works with external text message applications connected to the field radios.

This configuration can be expanded by locating up to four Text Message Dispatchers and four Location Dispatchers throughout the customer's Enterprise Network. Up to four installations of each application can be located anywhere on the customer's LAN, as long as they can communicate with the Application Server. The Dispatcher installations on the Application Server counts as one of the instances of the dispatch software. The diagram below shows 2 instances of each application. One is on the Application Server and one remote. The applications can reside on the same remote machine, if desired.

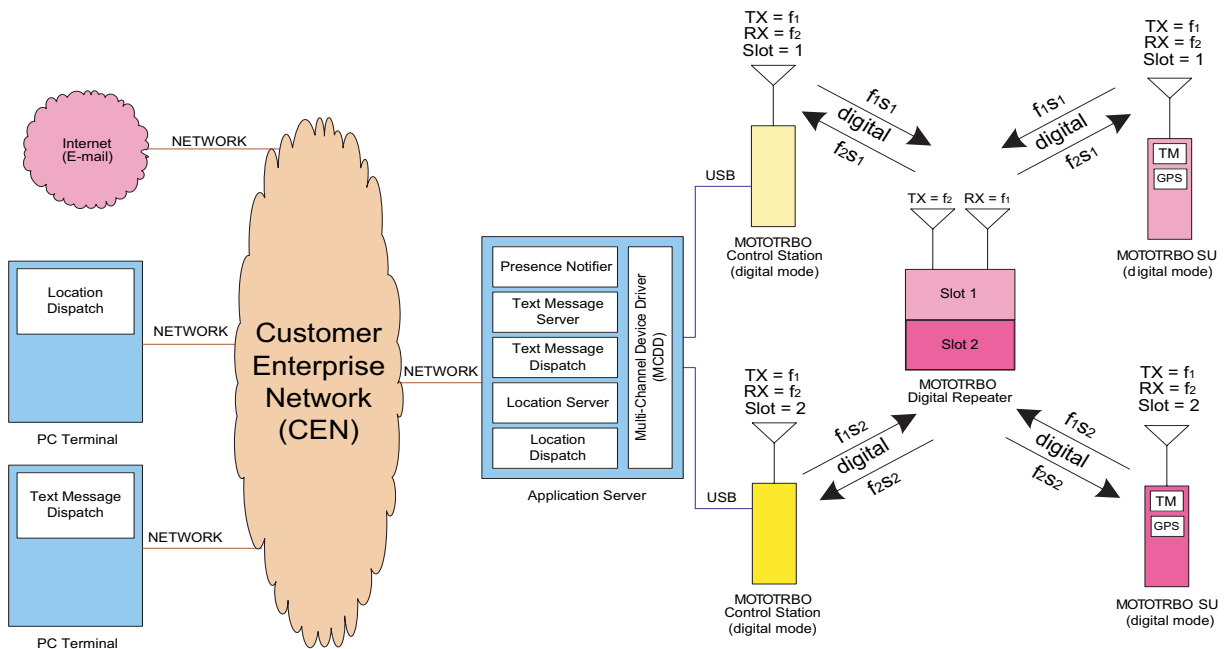


Figure 3-26 MOTOTRBO Radios in Digital Two-Slot Digital Repeater Mode with a Server-Based Configuration and Remote Dispatchers

Another Text Message service that is only available in a server based configuration is the ability to receive and send text messages to external e-mail addresses. This allows PCs or pagers and cell phones that are text message capable on the system to send e-mail messages. In order for the Text Message Server to communicate with the outside world, the Application Server must have access to the internet. When a radio sends a text message to a Text Message Dispatcher, and it is identified as an external e-mail address in the Text Message Server, the Text Message Server will forward the text message to the designated e-mail address. It requires access to the internet in order to send the message.

The Text Message Server also forwards incoming e-mails in a similar fashion.

On the following page is an example of a server based configuration that supports four data capable time slots with local and remote dispatchers. Note that any mix of external and internal radio Text Message Clients are supported on each channel.

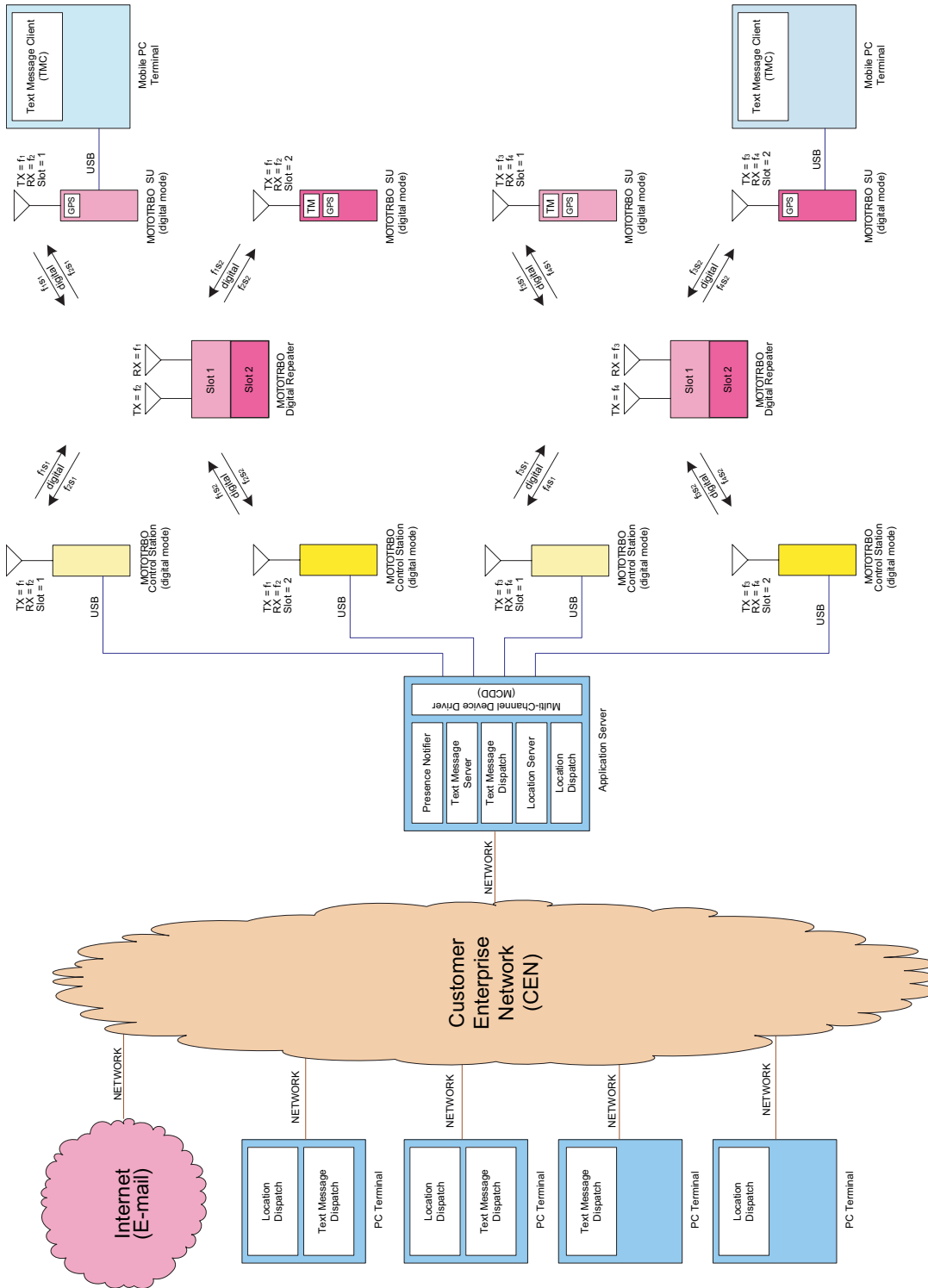


Figure 3-27 MOTOTRBO Radios in Digital Two-Slot, Digital Repeater Mode with Text Message Server, Location Server with Local and Remote Dispatchers

3.2.3.1.4 GPS Revert in Repeater Mode

With the addition of the GPS Revert feature, it is now possible to transmit Location Update messages on channels other than the Selected Channel (See “GPS Revert Channel” on page 54 for configuration information). The diagram in Figure 3-28 illustrates this concept in its simplest form while operating in repeater mode. In this example, channels f_1s_1 and f_2s_1 compose the Selected Channel frequency pair and channels f_1s_2 and f_2s_2 compose the GPS Revert Channel frequency pair. Communications such as a presence, location requests (Application Server to radio), text and voice occur on the Selected Channel, while all location responses (radio to Application Server) including location updates occur on the GPS Revert Channel. Therefore, a minimum of 2 control stations are required to support GPS Revert.

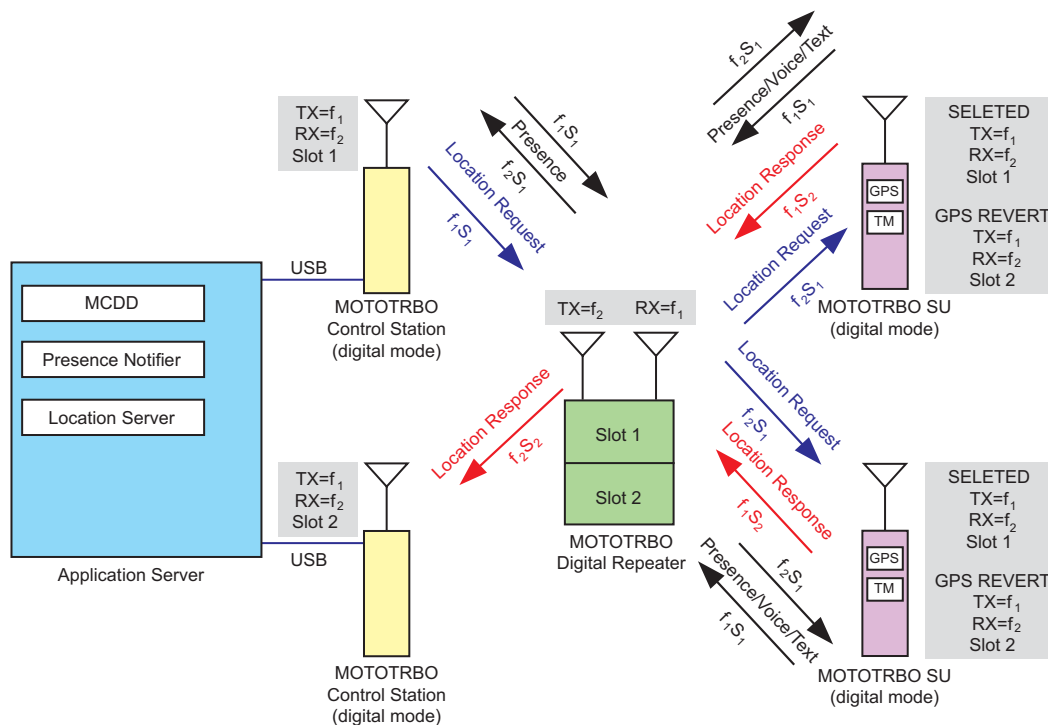


Figure 3-28 MOTOTRBO Radios in Two-Slot Digital Repeater Mode with GPS Revert Configuration

Under a typical scenario, the radio is powered on, and then registers on the Selected Channel with the Presence Notifier and the Location Server. The radio receives a Periodic Location Request and an Emergency Location Request from the Location Server on the Selected Channel. This Periodic Location Request instructs the radio to send location updates at a specific rate, while the Emergency Location Request instructs the radio to send a single Emergency Location Update when an emergency is initiated.

The radio spends the most time on the Selected Channel. The radio only switches to the GPS Revert Channel when a Location Update needs to be transmitted. Since voice transmissions have priority over data transmissions, when the radio is involved in a call on the Selected Channel, the Location Update is queued until after the call is completed. In order to minimize the amount of time spent away from the Selected Channel while on the GPS Revert Channel, the radio **will not** attempt to qualify traffic on the GPS Revert Channel. Therefore, all voice, data, and control messages transmitted to a radio should never be transmitted on the GPS Revert Channel, as they will not reach their destination.

The example in Figure 3-28 illustrates only one GPS Revert Channel. However, depending on the GPS data load, more than one GPS Revert Channel may be needed. For example, a single large group that generates significant Location Update traffic must be sub-divided across several GPS Revert Channels. Each GPS Revert Channel requires a control station, which must be connected to the Application Server PC. The maximum number of control stations that can be connected to the PC is four.

3.2.3.1.5 Enhanced GPS Revert in Repeater Mode

This section provides the recommended system topologies for the Enhanced GPS Revert feature in Single Site, Capacity Plus, Linked Capacity Plus and IP Site Connect modes of operation.

3.2.3.1.5.1 Single Site Conventional

Figure 3-29 is a system configuration that shows how the Enhanced GPS Revert feature can be used in single site mode operation. It is assumed that the repeater has slot one configured for Voice, Text and ARS data and slot two for location responses. When a radio powers on, the radio registers on the Home channel with the Presence Notifier, which notifies the Location Server. All outbound data from the server (including location request) is routed on the Home channel whereas all location responses are on the Enhanced GPS Revert channel. There should not be any non-

GPS traffic on the GPS Revert channel as it affects GPS reliability. Voice calls on an Enhanced GPS Revert channel are not repeated.

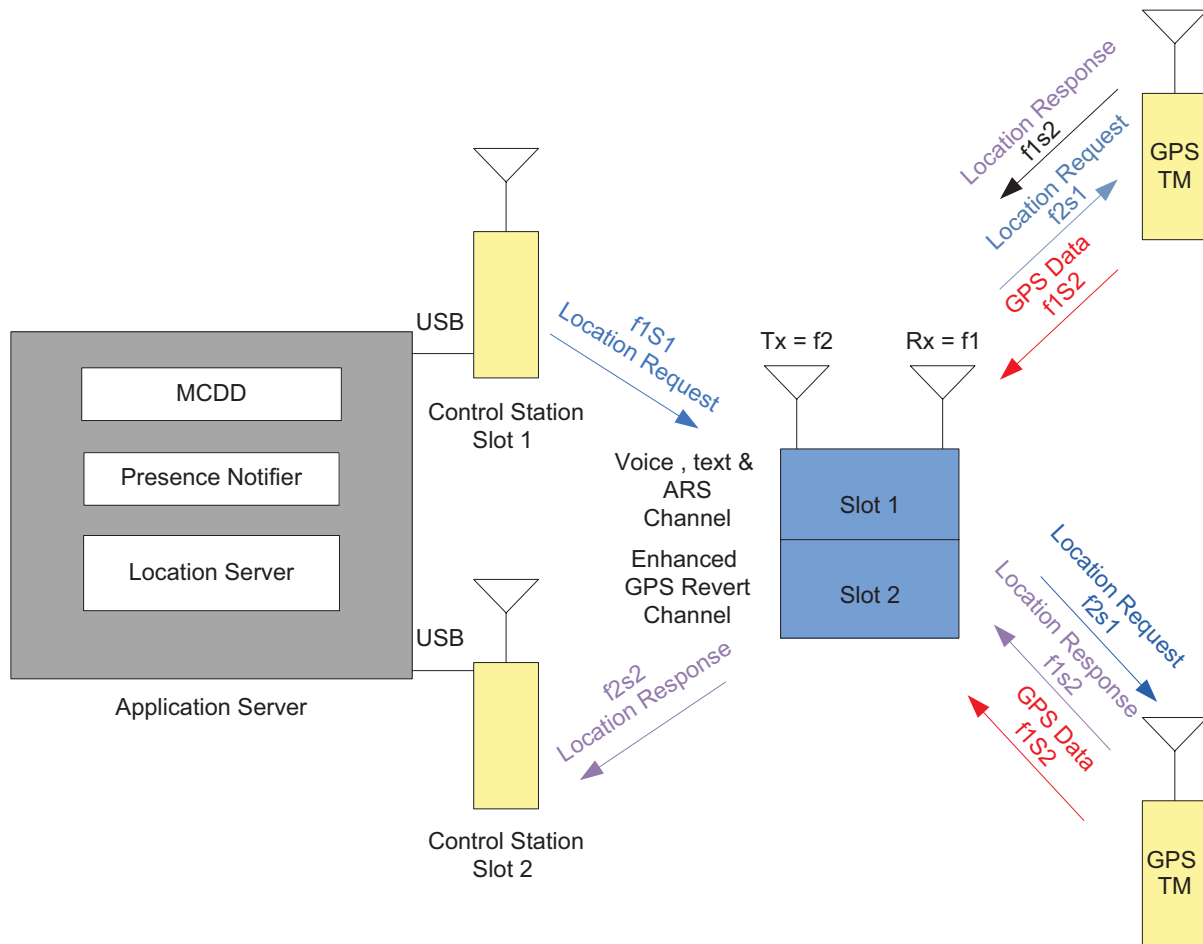


Figure 3-29 Single Site Conventional System with an Enhanced GPS Revert Channel

A user may also configure both slots of the repeater for enhanced GPS via the CPS. In this scenario, the user needs another repeater for voice and regular data, because only GPS data is supported on slots configured with Enhanced GPS.

3.2.3.1.5.2 IP Site Connect Mode

Figure 3-30 shows a typical IP Site Connect system where slot 2 of all the repeaters have been configured as a wide area Enhanced GPS Revert channel and slot 1 as the Home channel. Only location responses are routed on slot 2, whereas voice, text and ARS messages are routed using slot 1 (Home channel). The Enhanced GPS revert slot (slot 2) of all the repeaters and all subscribers in the system that send GPS data using the Enhanced GPS revert functionality should have the same window size.

The total number of windows are shared among all the wide area Enhanced GPS revert repeaters in the system. Only one repeater in the system should have a value (90%, 75%, 60% or 45%) selected for Period Window Reservation (this does not have to be the Master repeater, a peer is also possible), whereas all the other repeaters in the system select a value of "None" using CPS.

The repeater scheduler then schedule windows for all the other wide area enhanced GPS revert repeaters.

The application server and control stations can be in the coverage area of any repeater in the IP Site Connect system. In Figure 3-30 below, they are shown to be in the coverage area of repeater 1. For a window size of 5 or 6, it is recommended to use a network with an inter-repeater communication delay of 60 milliseconds or less. In case delay is observed to be higher than 60 milliseconds, then a window size greater than 7 is recommended for system reliability even if the amount of data requires a smaller window size.

NOTE: Increasing the window size decreases the system throughput.

The user may also configure both slots of the wide area system for enhanced GPS revert. In this scenario, the user will need to configure both voice and other data on a different IP Site Connect system.

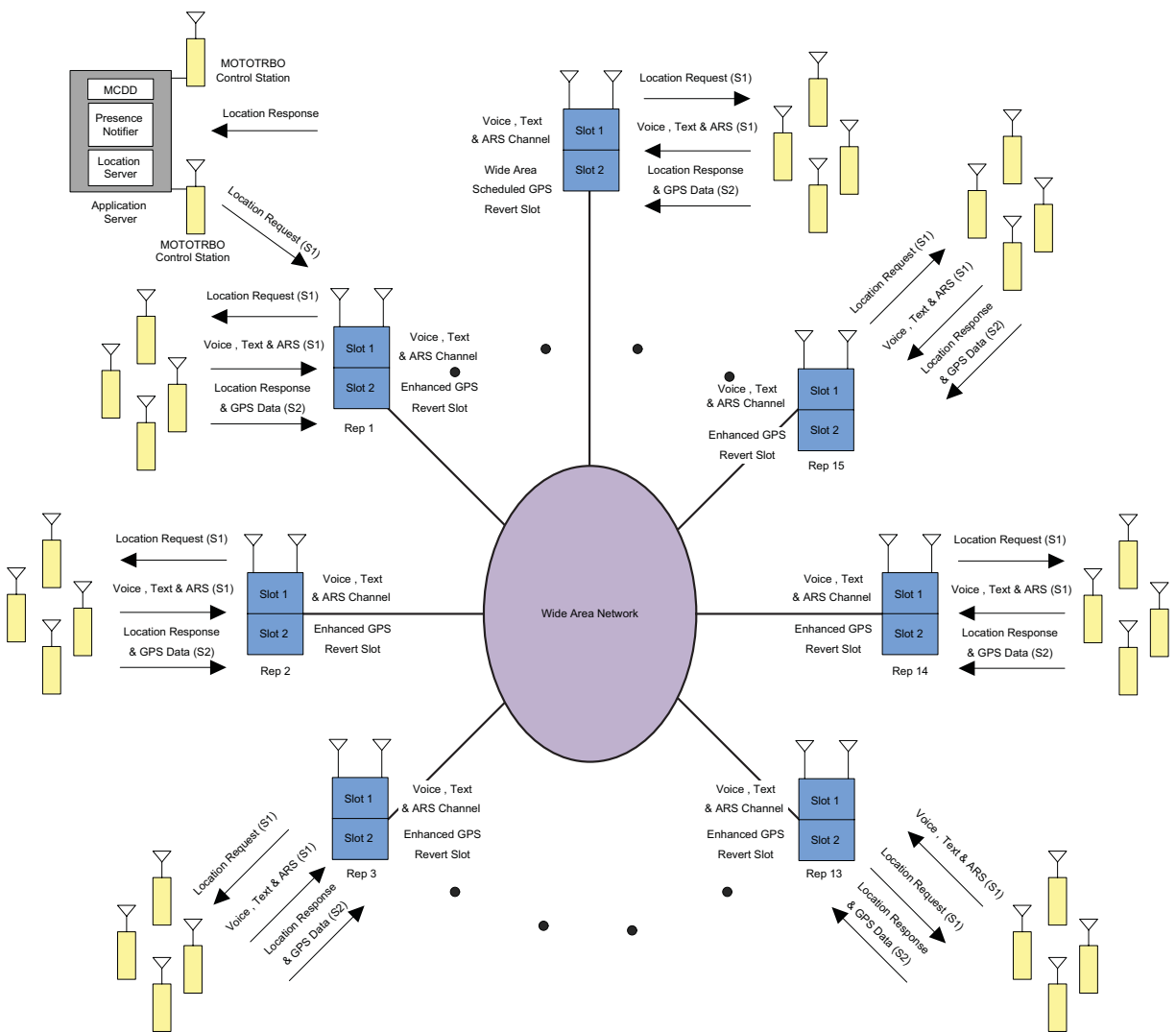


Figure 3-30 IP Site Connect System with an Enhanced GPS Revert Channel

3.2.3.1.5.3 Capacity Plus Mode

In Capacity Plus mode, one or both slots of a Data Revert repeater can be configured as Enhanced GPS Revert channels. Text and server data are routed on the slot configured for Data Revert whereas GPS and ARS registration data is routed on the slot configured for Enhanced GPS Revert. The location requests are sent on the Trunked Channel while the location responses are sent on the Enhanced GPS Revert channel.

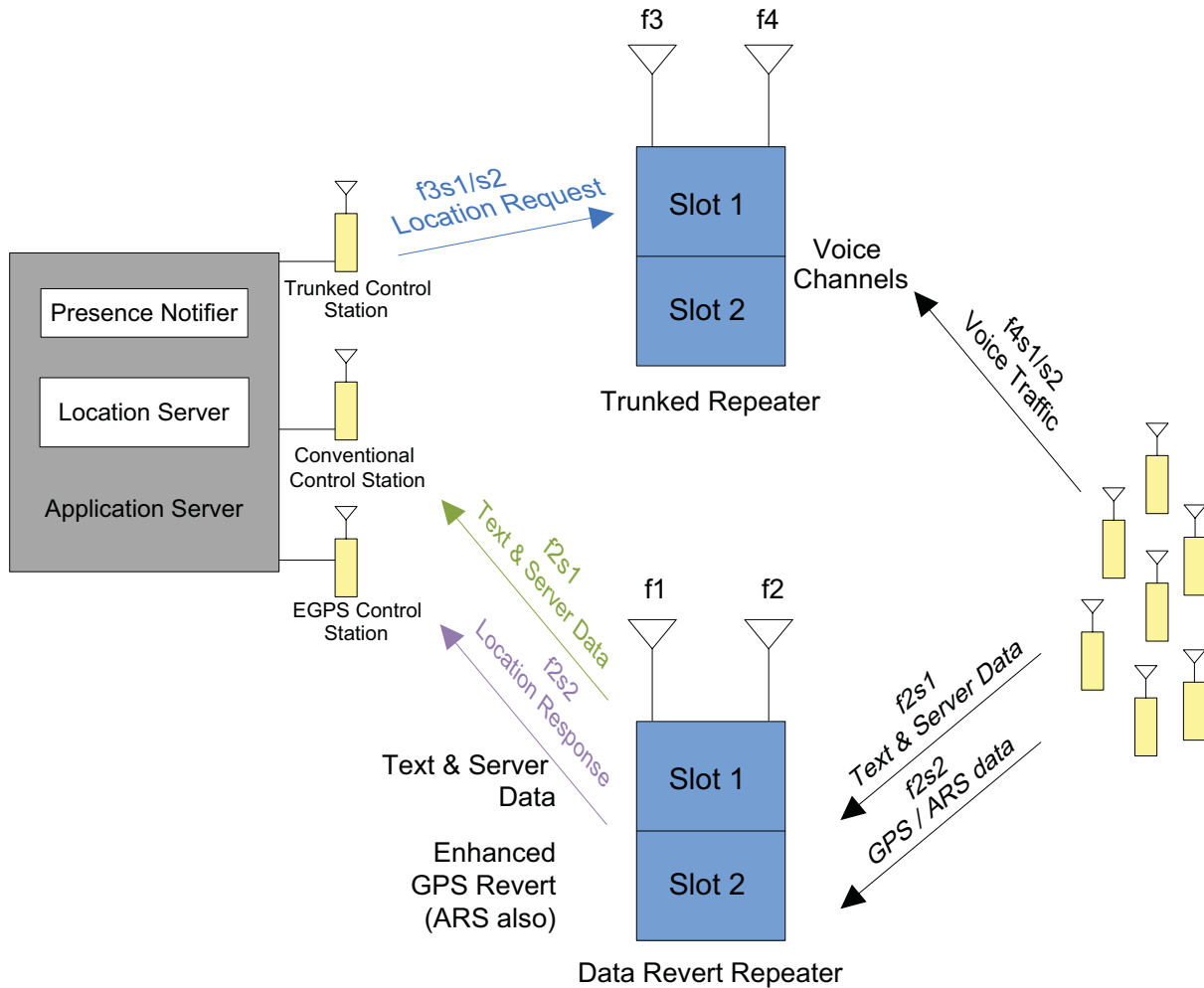


Figure 3-31 A Capacity Plus System with an Enhanced GPS Revert Channel

3.2.3.1.6 Summary of Features in Digital Repeater Mode

The following features are supported in digital repeater mode:

Digital MOTOTRBO Radios in Repeater Mode				
Voice Features	Signaling Features	Emergency Handling	Data Calls	Other Features
Group Call	PTT ID and Aliasing	Emergency Alarm	Text Messaging	Two channels (slot 1 and slot 2) per repeater frequency pair
Private Call	Radio Inhibit	Emergency Alarm with Call	Location Tracking	Scan*
All Call	Remote Monitor	Emergency Alarm with Voice to Follow	Telemetry	Time-out Timer
Voice Interrupt	Radio Check	Emergency Revert	Third-Party (ADP) Applications	Polite to All system access
Dual Tone Multi Frequency	Call Alert	Emergency Voice Interrupt	GPS Revert	Polite to Own System channel access
Digital Telephone Patch	Remote Voice Dekey	–	Data Over Voice Interrupt	Impolite channel access

*See “Scan Considerations” on page 69 for more information on the different scan modes supported by different topologies.

3.2.3.2 Analog MOTOTRBO Radios in Repeater Mode

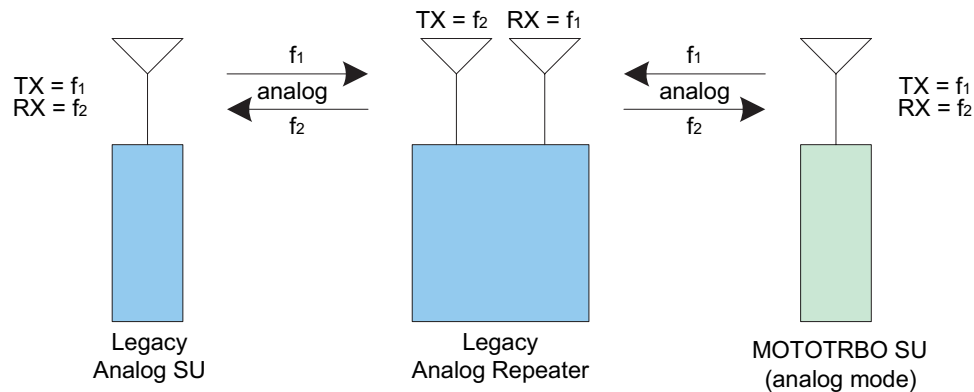


Figure 3-32 MOTOTRBO Analog and Legacy Analog Radios on Legacy Analog Repeater

MOTOTRBO radios supports analog repeater mode as well. In order for the MOTOTRBO radio to communicate with the existing analog or Dynamic Mixed Mode repeater, it must be programmed for analog mode as well as programmed with the same frequency and other options (PL, DPL, etc.) as the existing analog or Dynamic Mixed Mode repeater. While in analog mode, the MOTOTRBO radio supports most standard analog features including a subset of MDC signaling features. While in analog repeater mode, the MOTOTRBO radios will not support any of the digital features. While in Dynamic Mixed repeater mode, MOTOTRBO radios support both analog and digital features.

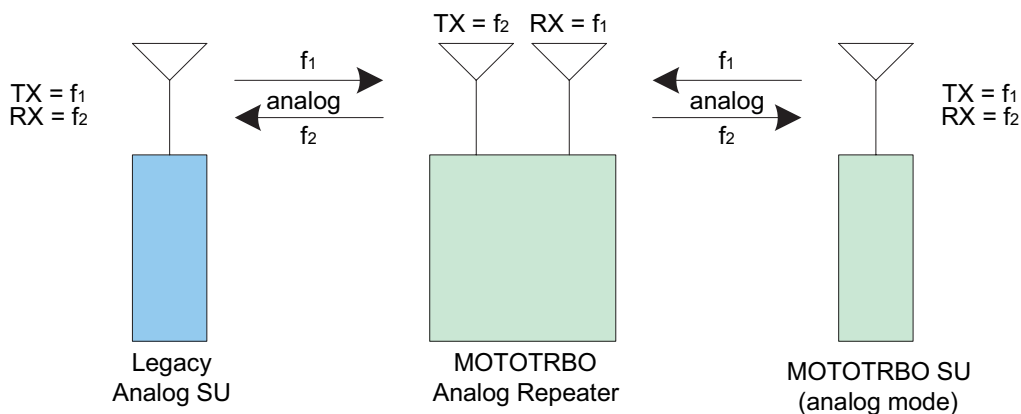


Figure 3-33 MOTOTRBO Analog and Legacy Analog Radios on MOTOTRBO Analog Repeater

If required, the MOTOTRBO repeater can be programmed to operate in analog repeater mode. When operating in this mode, it interoperates with the existing analog radios as well as the MOTOTRBO radios operating in analog mode. It is important to note that the MOTOTRBO repeater can only be configured to operate in analog mode or digital mode. It does not do both at the same time.

If required, the MOTOTRBO repeater can be programmed to operate in Dynamic Mixed Mode. When operating in this mode, repeater interoperates with the existing analog radios as well as the MOTOTRBO radios operating in analog and digital modes. Repeater dynamically switches

between analog and digital calls. While the repeater repeats one analog call at a time, it repeats 2 digital calls at a time (one on each logical channel).

The MOTOTRBO radio can be configured with both analog and digital repeater channels. The user can select between the analog and digital repeaters via the Channel Selector Knob.

Alternatively, the MOTOTRBO radio user can program his radio to scan between the analog and digital channels to ensure that they do not miss a call. The programming can be done from the keypad of the radio or through CPS. Details of scan will be discussed in the following sections.

Below is an example configuration of a mixed repeater mode system.

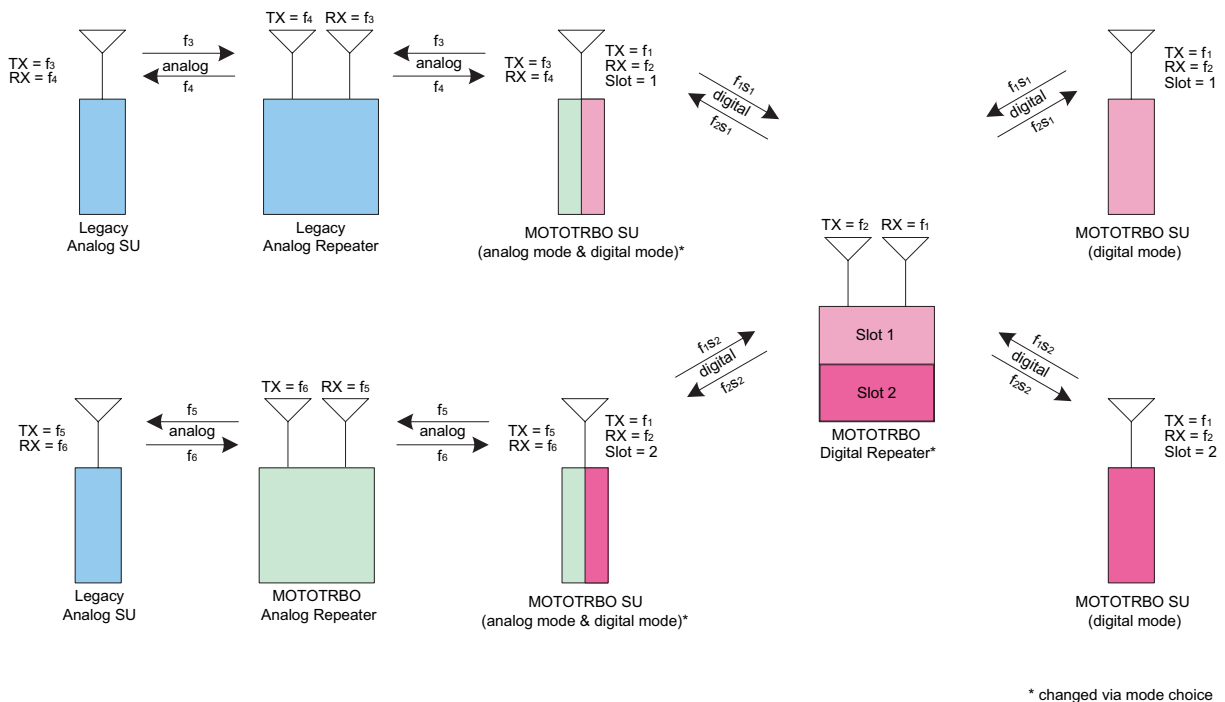


Figure 3-34 MOTOTRBO Digital Radios on a Two-Slot MOTOTRBO Digital Repeater with Analog Legacy Repeater Support

3.2.3.2.1 Summary of Features in Repeater Mode

All features listed in “Analog Features” on page 139 are supported in analog repeater mode.

3.2.4 IP Site Connect Mode

In IP Site Connect mode, repeaters across dispersed locations exchange voice, data, and control packets over an IPv4-based backend network. The potential applications of this mode include:

- **Connecting two or more dispersed locations for day-to-day communications.** For example, a customer’s manufacturing facility and a distribution facility across towns can be connected using MOTOTRBO repeaters in IP Site Connect mode.

- **Building a larger or more effective RF coverage area.**
For example, multiple repeaters installed in an amusement park or a high-rise building can be connected to provide a contiguous area of RF coverage. The need for multiple repeaters may stem from any combination of geography (distance or topographical interference problems) and in-building or cross-building RF penetration issues.
- **Broadcasting announcements to all sites.**
This is useful in case of emergency or special events.
- **Connecting repeaters operating in different RF bands.**
For example, repeaters operating in UHF (UHF-1 and UHF-2) or VHF frequencies can be combined so that voice or data from one system flows into another.
- **Connecting to IP-based applications.**
IP Site Connect mode allows the customers to connect to third-party IP-based dispatch consoles, or call logging and recording applications, or routing calls to/from IP-based phones.

3.2.4.1 Topologies of IP Site Connect System

3.2.4.1.1 Wide Area System with Centralized Data Application Server

This basic topology (as shown in Figure 3-35) is a single wide area system that consists of multiple single repeater systems operating in digital mode and zero or more Application Servers connected over a back-end network that supports IPv4, where:

- A *repeater system* consists of a fixed digital repeater, digital radios (with or without an accessory or a data terminal), and two conventional physical channels. Only one of the repeaters, which is called the Master, has an additional role in the IP Site Connect mode. This additional role involves brokering of UDP/IP address and states of repeaters.
- A radio uses one slot of a pair of frequencies (i.e. inbound and outbound) to communicate with its repeater. The pair of frequencies and/or the color code used by repeaters are not necessarily the same. Their frequencies may be in different frequency bands. The geographically adjacent repeaters have different frequencies. Two repeaters with the same frequency must be separated by a suitable distance to minimize interference and must use unique color codes.
- An Application Server is a PC-like equipment where one or more application runs. An application can be a data application such as a Location Server, Text Message Server or a voice application such as a Console. An Application Server is connected to one or two Control Stations, and these Control Stations are connected over-the-air to a repeater. If the configuration has more than one Control Station, then the Application Server should have the MCDD software installed. A third-party application can reside on an Application Server and since the Application Server is connected to Control Stations (one per logical channel), the application is not required to implement any third-party API that partially emulates the behavior of a MOTOTRBO repeater and radio.
- The backend network can be a dedicated network or most probably an internet provided by an Internet Service Provider (ISP). ISPs provide a range of technologies such as dial-up, DSL (typically, ADSL), cable modem, broadband wireless access, ISDN, Frame Relay, Satellite Internet access, etc. The backend network cannot be based on a dial-up connection (due to small bandwidth) or Satellite Internet access (due to large delay). The IP Site Connect configuration does not require an ISP to provide a non-varying (static) IPv4 address except for the Master repeater. A repeater can be behind a firewall and/or a router and/or a NAT. A repeater has USB and Ethernet network interfaces. The USB is used for

connecting a local PC and Ethernet is used for connecting to the backend network of an IP Site Connect system.

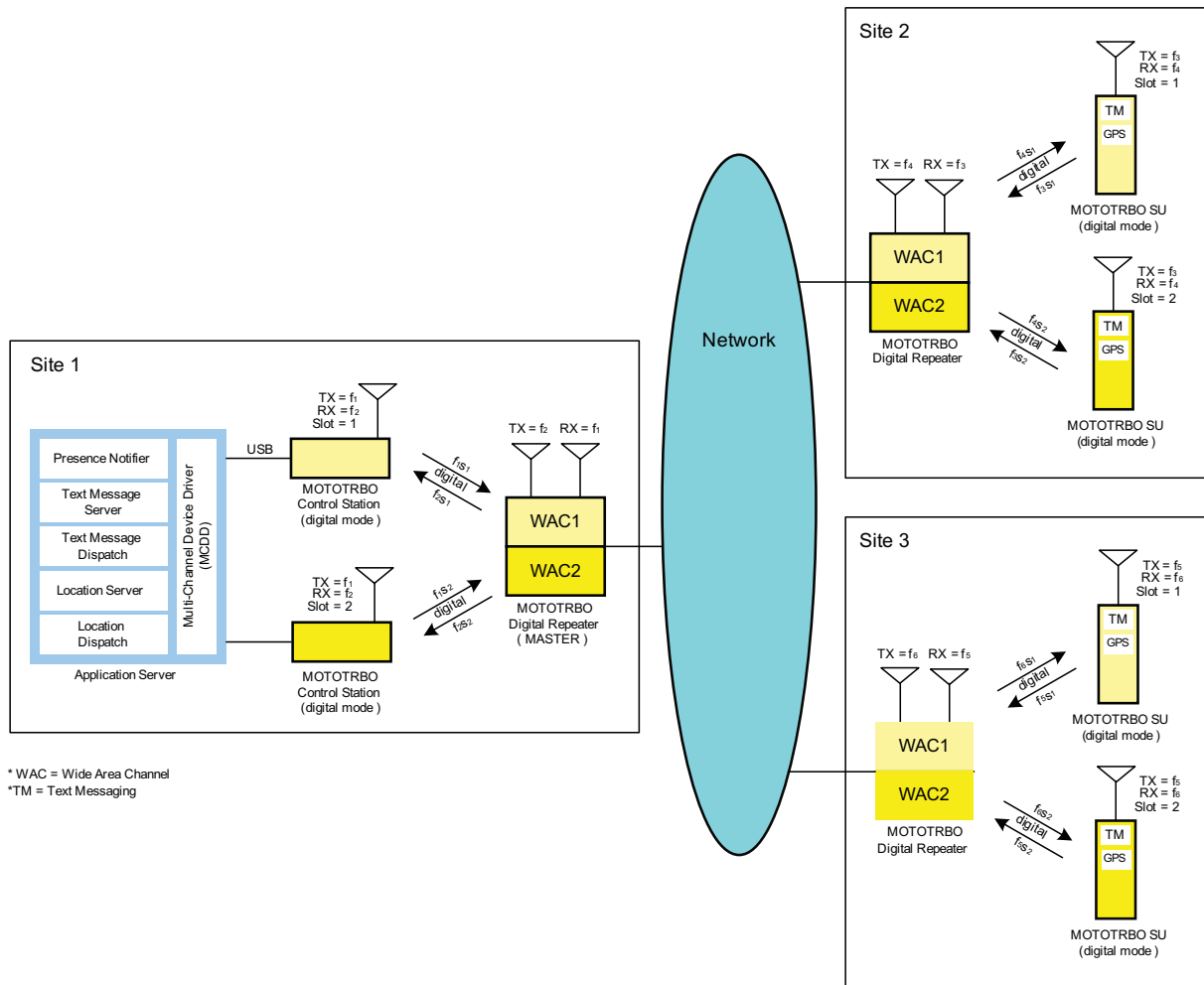


Figure 3-35 Wide Area System with Centralized Data Application Server

There may be an application known as RDAC-IP running on a host PC connected to the backend network of an IP Site Connect system. The application displays the status of repeaters and allows its user to control some of the parameters of a repeater. The host PC maintains its link with the Master and other repeaters using the same protocols as other repeaters in an IP Site Connect system. Note that there may be a local RDAC application running on a host PC connected to a repeater through RNDIS-USB interface. Also, analog, and local area only repeaters can be connected to wide area system so that they may be managed by the RDAC application.

In digital mode, MOTOTRBO offers two logical channels. The configuration above shows both the channels acting as wide area channels. This means that when a call starts at one of the logical channels of a repeater, that repeater sends the call to all the other repeaters and they repeat the call on their corresponding logical channel. Since calls are not repeated on both logical channels, a radio on a logical channel cannot participate in a voice call on the other logical channel or logical channels of other IP Site Connect systems unless scan is utilized. Note that scanning cannot be enabled while roaming. Radio to radio data messages are not repeated on both slots either, although it is possible to support one Application Server to serve multiple wide area channels. The

Application Server interfaces with the wide area channels in the same way as it interfaces with the local area channels. This is described in section 3.2.3.1.3 “Server Based Data Applications in Repeater Mode”.

3.2.4.1.2 Wide and Local Area Systems with Distributed Data Application Servers

It is possible that one of the logical wide area channels of the repeaters is configured for local communication only. In this case, each site has its own logical channel for local communication. This is useful in case a customer need a significant load of local communication. This configuration offloads the local communication from the wide area channel.

The following figure shows an example of such configuration in which one of the logical channels (say, slot 2) is used in IP Site Connect mode (wide area) and the other (slot 1) is used in digital repeater mode (local area). The calls originating on slot 1 are not sent to other repeaters. A customer should use slot 1 for local groups (i.e. groups whose members are expected to be present in the coverage area of the repeater); and slot 2 for groups whose members are distributed over the coverage area of multiple repeaters.

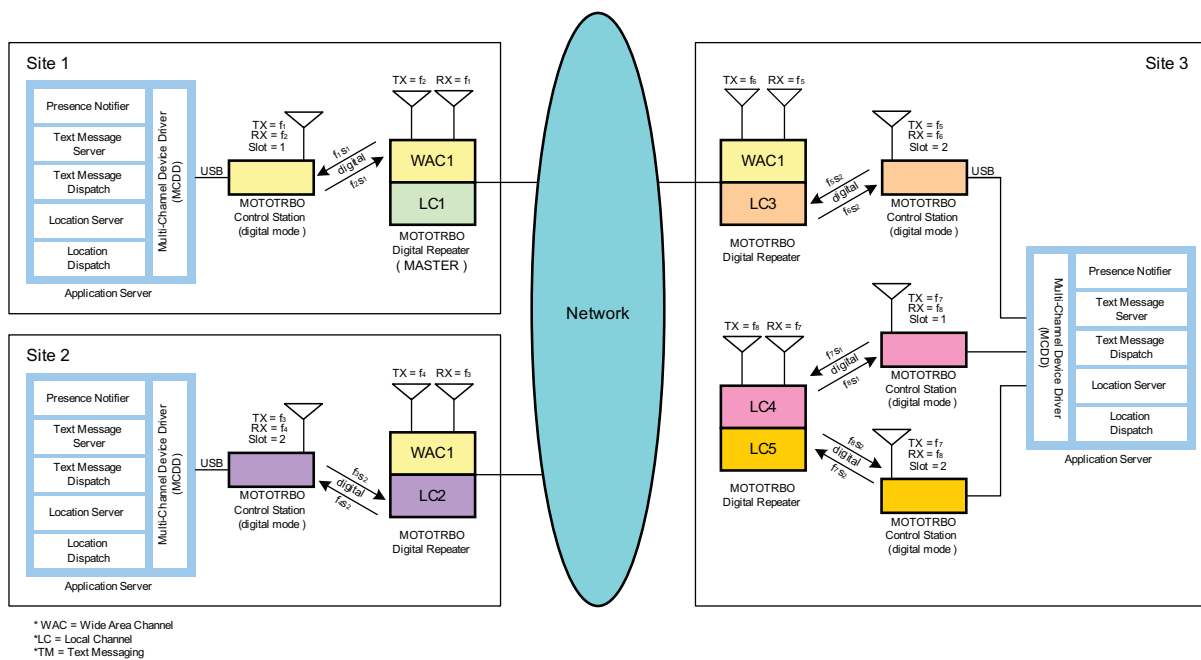


Figure 3-36 Wide and Local Area System with Distributed Data Application Servers

The data messages sent over local channel 1 are not delivered to the Application Server 1 and therefore, if required, each geographical location should have their own Application Server with their own Presence Notifier. When a radio manually roams (i.e. changes dial positions) between a local area channel and a wide area channel, the radio registers with its respective Presence Notifier. To facilitate this, the radio ID of the control stations should be configured to be the same.

If a customer requires more local capacity at a location then it is possible to add more repeaters working in Single-Site configuration and all the local slots of all the repeaters can share the same Application Server. In that case, the radios on the local channel will not be able to communicate with the wide area channels' Application Server.

3.2.4.1.3 Multiple Wide Area Systems with Centralized Data Application Server

If a customer requires more wide area capacity, then it is possible to add another set of repeaters working in IP Site Connect mode. It is possible for the repeaters to share the same Application Server. This is shown in the figure below. In this case, the repeaters at a location may share the same link to the backend network. The bandwidth required for communication through the backend network should take this into consideration. See “Characteristics of Backend Network” on page 272. for further details.

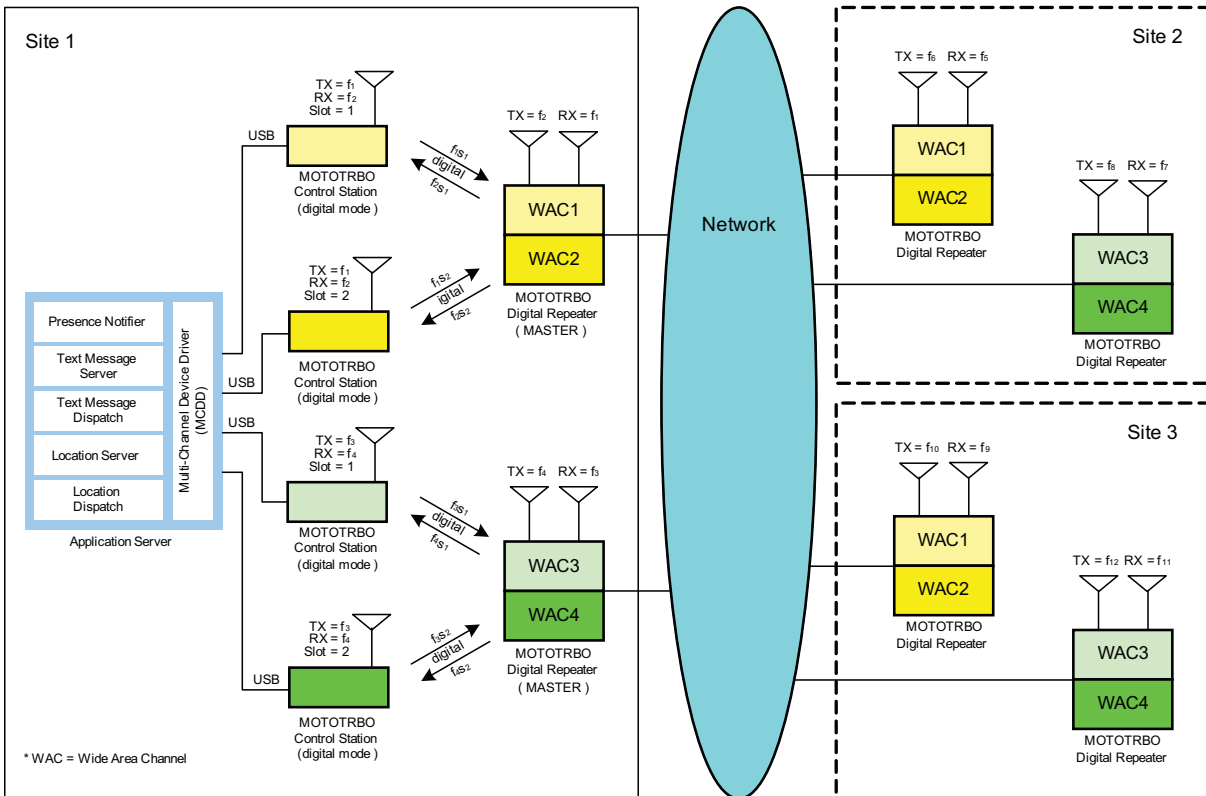


Figure 3-37 Multiple Wide Area Systems with Centralized Data Application Server

If a customer requires more wide area capacity for location data, then it is possible to use one or more wide area channels as GPS Revert Channels. The GPS Revert Channel behavior of radios in IP Site Connect mode is the same as the radios behavior in digital repeater mode with the exception that the GPS is sent unconfirmed on a wide area channel. See “GPS Revert in Repeater Mode” on page 211.

3.2.4.1.4 Network Topologies for IP Site Connect

The IP Site Connect topologies described in the previous sections can reside on a range of backend network configurations and technologies. Logical connections between the wide area channels can all reside on the same physical network. The actual network topology chosen will most likely be driven by the repeater's physical location and the network connectivity available at that location. The Network Topologies can be broken up into two basic configurations:

- Local Area Network Configuration
- Wide Area Network Configuration

But note that most network topologies will be a combination of both Local and Wide Area network configurations. Each individual configuration will be described and discussed.

Note that the same network configurations can be used for Digital or Analog Repeaters, Enabled or Disabled Repeaters, Wide Area or Local Area Repeaters, RDAC-IP, or any other third-party device that utilizes the IP Site Connect link establishment protocol.

3.2.4.1.4.1 Local Area Network (LAN) Configuration

Customers that have high capacity network connectivity throughout their organization will most likely have a desire to utilize their existing network for wide area connectivity. IP Site Connect supports the following technologies:

- Private LANs
- Corporate LANs
- Private Wireless Systems

Exact configurations of Local Area Networks can vary greatly. As long as the devices are on the same network, or have access to other networks through an internal router or NAT configurations, the IP Site Connect system will operate correctly. It is also assumed that in these local configurations that bandwidth is not an issue. Nevertheless, it is important for the system installer to understand the bandwidth that each IP Site Connect devices require in order to operate optimally. See "Network Bandwidth Considerations" on page 274.

The diagram below shows a simple diagram of IP Site Connect devices located at different sites connected through a local area network. Note that in this drawing the IP Site Connect devices could be in one or more Wide Area Systems (i.e. more than one Master), could contain local area channels or even be an analog repeater, a disabled repeater, or RDAC IP application.

Only the repeaters acting as Masters will require a local static IPv4 address. The other IP Site Connect devices will utilize this local static IPv4 address to establish their link with the wide area system.

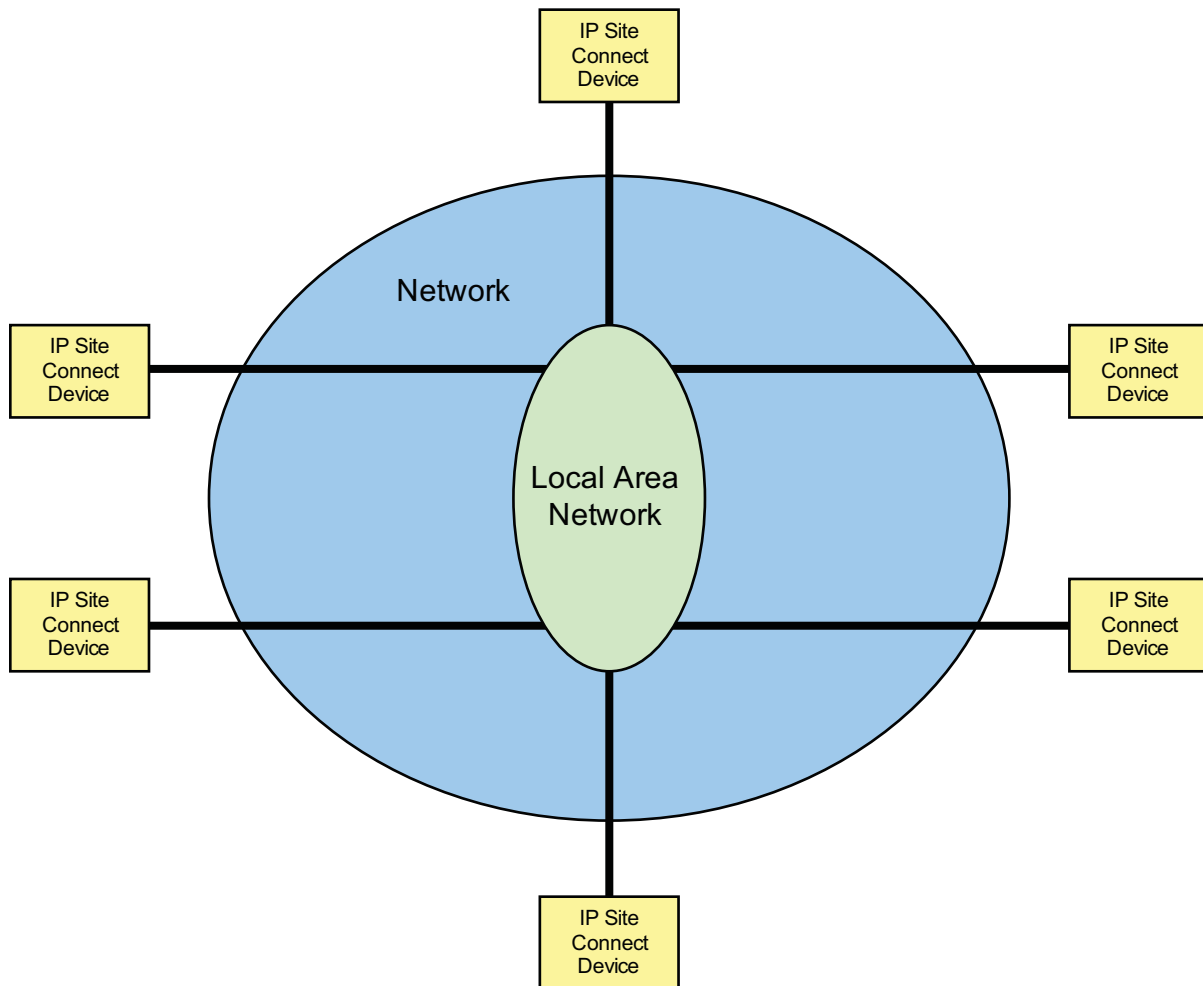


Figure 3-38 IP Site Connect devices connected through Local Area Network

3.2.4.1.4.2 Wide Area Network Configuration

The largest benefit of IP Site Connect is the ability to connect sites over public Internet Service Provider (ISP) links as well as private high speed connections. ISPs provide a range of technologies with varying bandwidth. IP Site Connect supports the following technologies (as long as the requirements listed in the backend Network Considerations section are met):

- Private T1
- DSL (typically ADSL)
- Cable Modem
- Broadband Wireless Access (e.g. Public Canopy provided by WISPs [Wireless Internet Service Providers])
- ISDN
- Frame Relay

IP Site Connect does not support dial-up connections (due to small bandwidth) or Satellite Internet access (due to large delay). When utilizing public internet connections, it is important that the system installer understand the bandwidth and delay that each IP Site Connect device requires in order to operate optimally. They must also understand the details (bandwidth and delay) of the network link at each site and between sites. For example, if connecting sites have long distances between them, the delay of the entire link needs to be considered. Spanning continents connected via Satellite may introduce unacceptable delay. But, if the continents are connected via fiber optic there may not be any issues.

Also keep in mind that because traffic from one repeater is sent to every repeater, the required bandwidth of the ISP link at one site is a function of the amount of other repeaters in the system. Adding a repeater will increase the required bandwidth at all sites. See “Network Bandwidth Considerations” on page 274.

A repeater can be (and is suggested to be) behind a router and/or a NAT and/or a firewall. Although not required, it is highly suggested in order to protect against the undesired solicitations common over the public internet. Although IP Site Connect will work through most off-the-shelf devices, the following two router/NAT/firewalls are therefore suggested for use.

- D-Link – EBR-2310
- CISCO – ASA-5505 (supports “hair-pinning”)

As previously described, peer-to-peer communications over the network can be optionally authenticated and are also encrypted end-to-end if enabled in the radios. If this is not considered sufficient for a particular customer, IP Site Connect supports the ability to work through a Secure VPN (Virtual Private Network). Secure VPN is not a function of the IP Site Connect device but rather of the router. It is important to note that VPN does add the need for additional bandwidth and may introduce additional delay. This should be taken into consideration in bandwidth planning. The following Secure VPN router is suggested for use. See “Network Bandwidth Considerations” on page 274.

- Linksys 4 Port Gigabit Security Router with VPN: Model RVS4000.

Only the repeaters acting as Masters require a publicly accessible static IPv4 address from the Internet Service Provider. The other IP Site Connect devices utilize this publicly accessible static IPv4 address to establish their link with the wide area system. In addition, the router/NAT/firewall connected to the Master require some configuration (open port) so that unsolicited messages from other repeaters can reach the Master repeater.

The diagram below shows a simple diagram of IP Site Connect devices located at different sites connected through a wide area network.

Note that in this drawing the IP Site Connect devices could be in one or more Wide Area Systems (i.e. more than one Master), could contain local area channels or even be an analog repeater, a disabled repeater, or RDAC IP application.

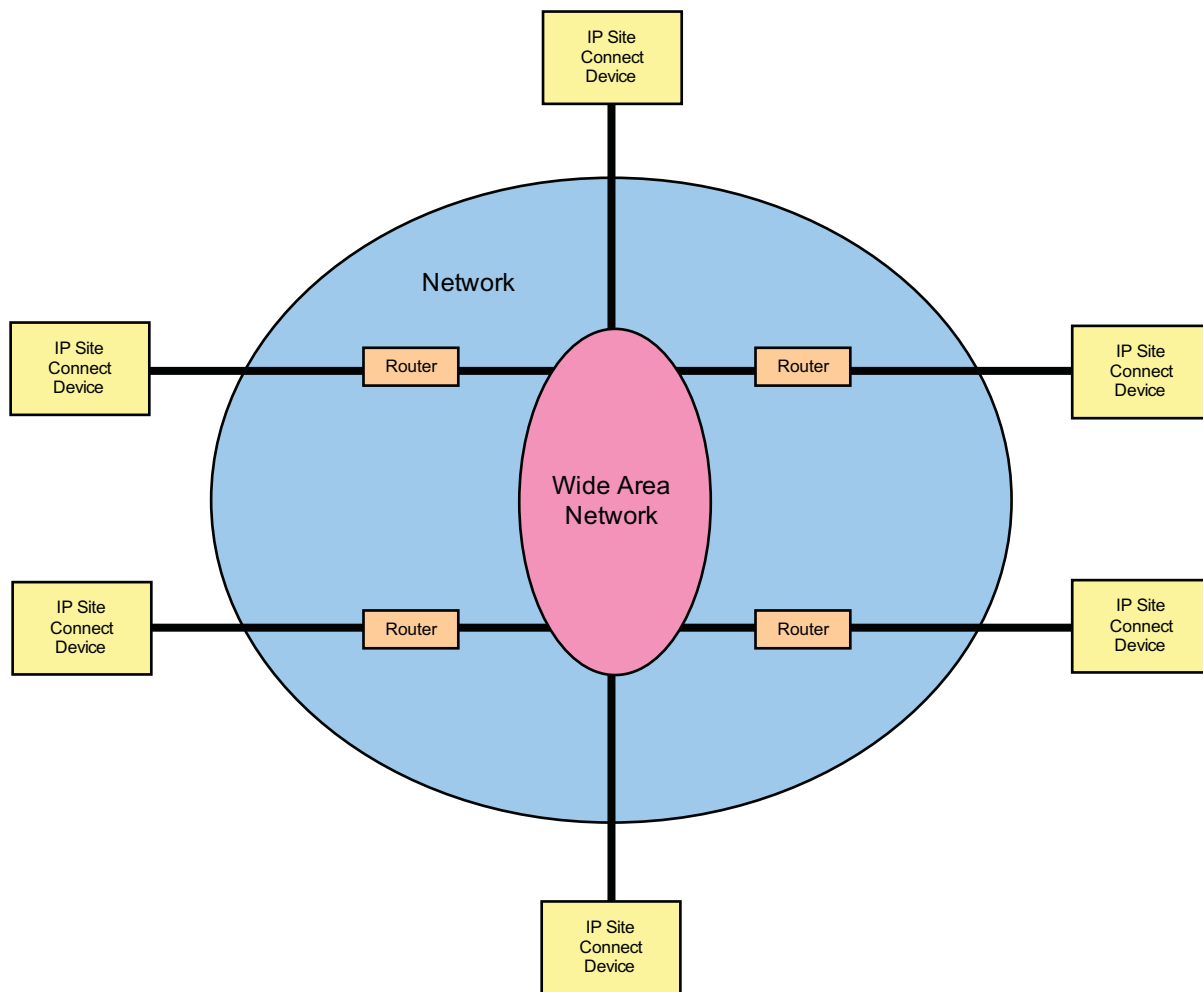


Figure 3-39 IP Site Connect Devices connected through Wide Area Network

3.2.4.1.5 Wide and Local Area Network Configuration

Most network topologies are a combination of both Local and Wide Area network configurations. For example, there may be a need to link two or more sites with existing local networks together over a public ISP, or maybe link one or more remote mountain RF site into a corporate network. When doing this, there are a few extra precautions to consider that are not covered in the previous sections.

The number of IP Site Connect devices connected together behind a single wide area connection (i.e. behind one router) can have a large effect on the required bandwidth of the wide area link. The bandwidth requirements of a wide area link are the summation of the bandwidth requirements of all IP devices behind the router. In other words, if there are three IP Site Connect devices utilizing a single ISP link, it must have enough bandwidth to support all three. Recall that the traffic from one repeater is sent to every repeater; therefore the required bandwidth of the ISP link at one

site is a function of the amount of other sites in the system. Adding a repeater at one site increases the required bandwidth at all sites.

Similar to the Wide Area Network configurations, the repeaters acting as the Master will require a publicly accessible static IPv4 address from the Internet Service Provider. The other IP Site Connect devices utilize this publicly accessible static IPv4 address to establish their link with the wide area system, not a local IPv4 address. This is true even for the IP Site Connect devices that are located on the same Local Area Network as the Master.

Again, similar to the Wide Area Network configurations, the router/NAT/firewall connected to the Master require some configuration (open port) so that unsolicited messages from other repeaters can reach the Master repeater.

To support the ability for the IP Site Connect devices to communicate to other devices on its LAN using the WAN IPv4 address, the routers on those WANs must support a feature referred to as "hair-pinning". Hair-pinning is returning a message in the direction it came from as a way for it to reach its final destination. This is per the router standard RFC 4787.

The diagram below shows a simple diagram of IP Site Connect devices located at different sites connected through a mix of local and wide area networks. Note that in this drawing the IP Site Connect devices could be in one or more Wide Area Systems (i.e. more than one Master), could contain local area channels or even be an analog repeater, a disabled repeater, or RDAC IP application.

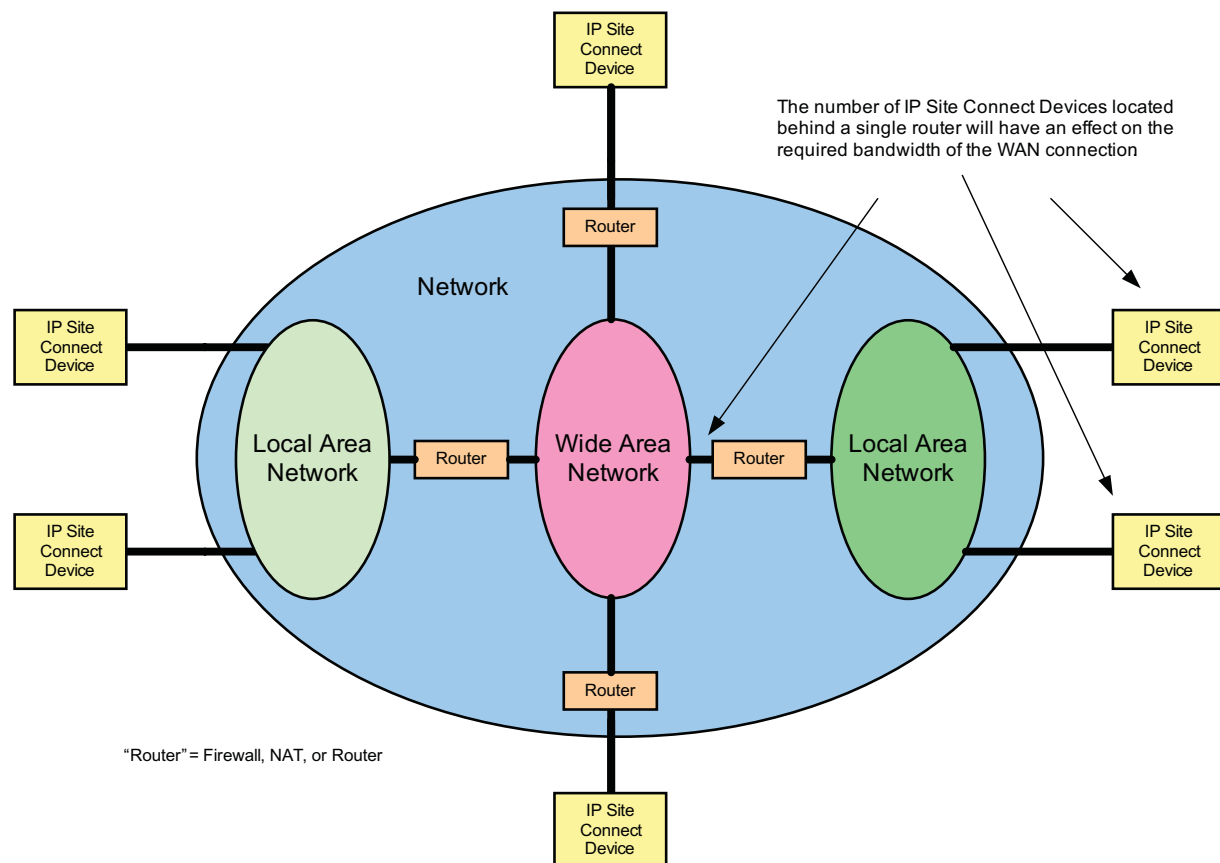


Figure 3-40 IP Site Connect Devices connected through Local Area and Wide Area Network

3.2.4.1.6 Summary of Features in IP Site Connect Mode

The following features are supported in IP Site Connect mode:

Digital MOTOTRBO Radios in IP Site Connect Mode					
Voice Features	Signaling Features	Emergency Handling	Data Calls	Other Features	
Group Call	PTT ID and Aliasing	Emergency Alarm	Text Messaging	Two Wide Area Channels (slot 1 and slot 2)	Remote Diagnosis and Control
Private Call	Radio Inhibit	Emergency Alarm and Call	Location Tracking	Mix of Wide Area and Local Area Channels	Roaming
All Call	Remote Monitor	Emergency Alarm with Voice to Follow	Telemetry	Scan*	Wide Area Coverage
Dual Tone Multi Frequency	Radio Check	Emergency Revert Per Site	Third-Party (ADP) Applications	Polite to All System Access	Time-out Timer
Voice Interrupt	Call Alert	Emergency Voice Interrupt	GPS Revert Per Site	Polite to Own System Channel Access	Privacy
Digital Telephone Patch	Remote Voice Dekey	–	Data Over Voice Interrupt	Impolite Channel Access	–

* See “Scan Considerations” on page 69 for more information on the different scan modes supported by different topologies.

The following chapter discusses some of the considerations to take while designing a MOTOTRBO system. It focuses more on how the user uses the system, and the configuration needed to support it. Although a basic system topology may already have been chosen, the next chapter helps dig deeper into how the end user utilizes the system, and therefore gives additional ideas on how it should be configured.

3.2.5 Capacity Plus Mode

In Capacity Plus mode, all the radios share the channels of all the trunked repeater(s). The probability of all channels being busy at the same instant is low. Hence, radio finds less blocking of calls compared to when only one channel is available to the radio. Similarly, for the same quality of service, sharing of channels allows more calls and thus increases channel capacity.

In Capacity Plus, a channel is configured either for trunking or for data revert. A radio has a list of all Trunked Channels and a list of Data Revert Channels. While configuring channels, observe the following rules:

- Both channels of a repeater should be used for the same purpose. This implies that if one channel of a repeater is a Trunked Channel, then the other channel is also a Trunked Channel. Similarly, if one channel of a repeater is a Data Revert Channel, then the other channel is also a Data Revert Channel.
- The CPS provides a zone for keeping all the trunked and Data Revert Channels. The zone is called "Channel Pool". All the trunked and Data Revert Channels should be kept in the "Channel Pool".

3.2.5.1 Topologies of Capacity Plus System

3.2.5.1.1 A System with No Data Application Server and Local RDAC

This configuration is the most basic of the Capacity Plus topologies. It does not support a remote RDAC or data messages to or from a Server.

One of the repeaters has an additional role of "Master"; a broker for discovering repeaters. The Master has a static address (i.e. IPv4 address and UDP port number), which is configured in all the repeaters and RDAC. Static address is an address that does not change with time. If the address

of the Master changes, then all the repeaters and RDAC must be reconfigured with the new address.

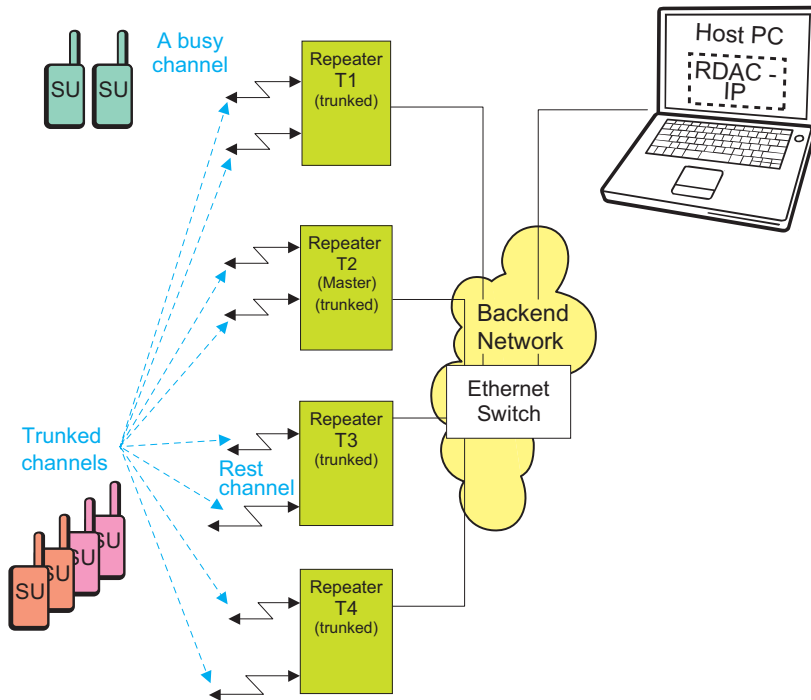


Figure 3-41 Capacity Plus Devices with Local RDAC and no Data Application Server

A minimal configuration of the above figure can have just one repeater without RDAC. In this case, the system behaves as a two-channel trunked system.

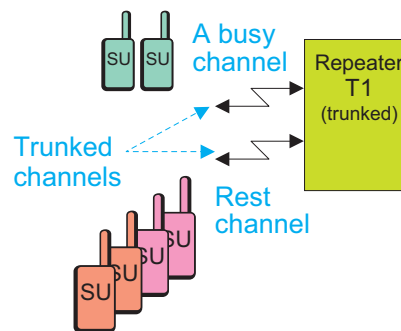


Figure 3-42 Two-channel Capacity Plus System without Data Application Server

3.2.5.1.2 A System with No Data Application Server and Remote RDAC

If RDAC is on a different IPv4 network, then the backend network of Capacity Plus should be connected to the external IP network using a router. In this case, use the static address of the Master, as seen from the other side of the router, to configure the repeaters and RDAC. Note that the router may be required to do port-based network address translation for each repeater. The router should support “hair-pinning” and have sufficient bandwidth to handle all the messages

between repeaters. Hair-pinning is returning a message in the direction it came from as a way for it to reach its final destination. This is per the router standard RFC 4787.

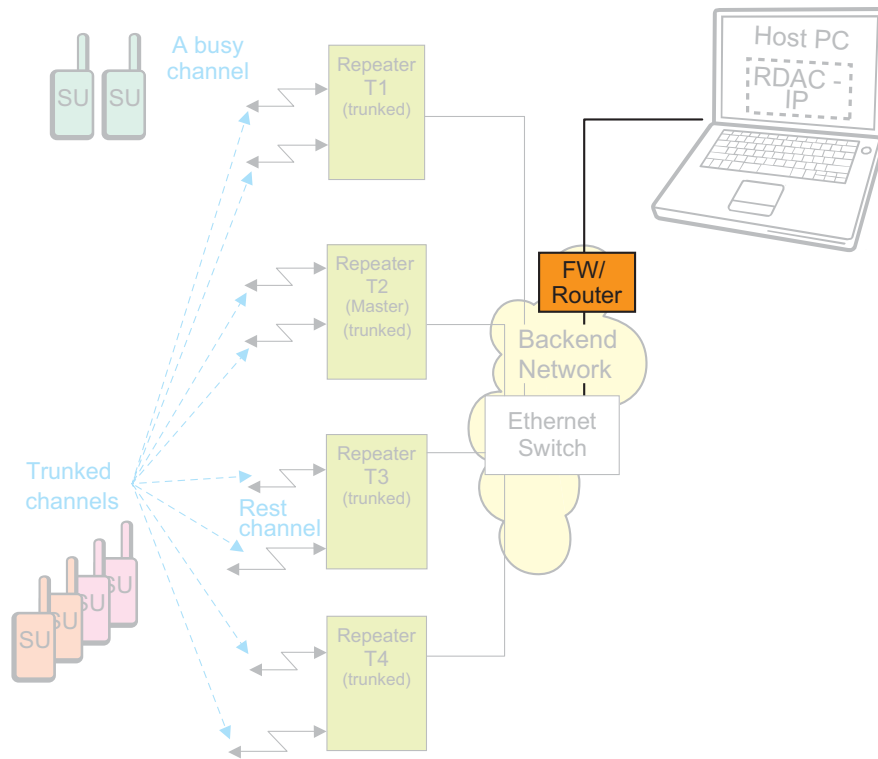


Figure 3-43 Capacity Plus Devices with Remote RDAC and no Data Application Server

3.2.5.1.3 A System with Data Application Server on Trunked Channels

It is possible to send data messages to a Data Server over the Trunked Channels. This is recommended for a system that requires sending limited number of data messages to the Server. This configuration requires one or more Trunked Control Stations. The Server must not have the MCDD installed.

If there is more than one Trunked Control Station, the configuration should adhere to the following rules:

1. The maximum number of Trunked Control Stations should not be more than the number of Trunked Channels.
2. To achieve a success rate of 90%, the number of data messages per minute per Trunked Control Station, should be less than 10. It is assumed here, that the payload of a data message is 50 bytes or characters long.
3. The IDs of all Trunked Control Stations should be different.
4. The radios should be grouped into 'n' sets, where 'n' is the number of Trunked Control Stations.
5. Each set of radios is associated to a Trunked Control Station. This implies that the configured IP address of the server in a radio is the IP address of its Trunked Control Station's peripheral.

6. For each set of radios, it is required to make one or more entries in the IP Routing Table of the Application Server such that a data packet transmitted to a radio is routed to the port of the Trunked Control Station associated with the set of the radio.

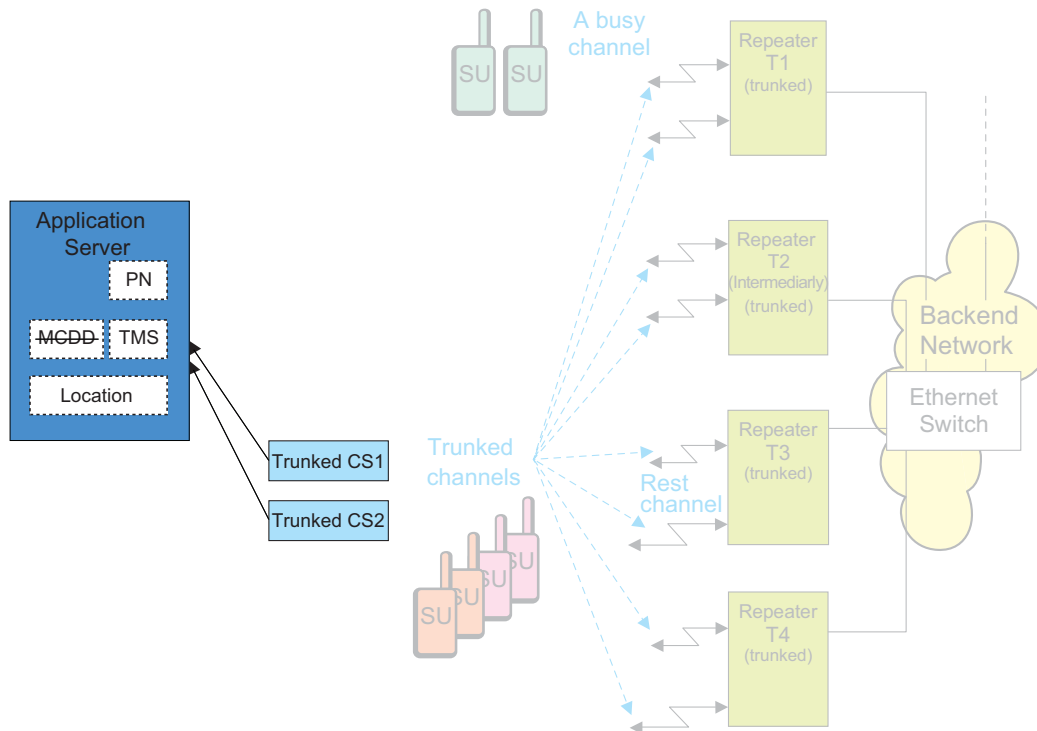


Figure 3-44 Capacity Plus Devices with Data over Trunked Channels

A minimal configuration of Figure 3-44 is shown in Figure 3-45 below:

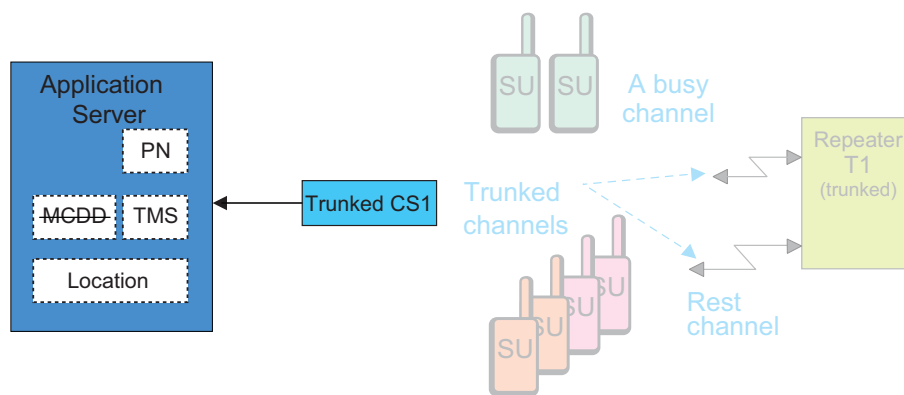


Figure 3-45 Two-channel Capacity Plus Devices with Data over Trunked Channels

3.2.5.1.4 A System with Data Application Server on Revert Channels

If a system requires sending a large number of data messages (e.g. location data) to a Server, Capacity Plus is able to dedicate up to a maximum of twelve repeaters for the transmission to take place. This configuration requires one Revert Control Station per Data Revert Channel (i.e. slot) and at least one Trunked Control Station. The IDs (and therefore the IPv4 address) of all Revert and Trunked Control Stations are the same. The IPv4 address of the Server (as seen by a radio) is derived from the SUID of the Control Stations.

The Server sends data packets to the radios via Trunked Control Stations, and not via the Revert Control Stations. As the data packets are not sent via the revert channels, there is no need for installation of the MCDD (Multi-Channel Device Driver) software in the Server.

A Capacity Plus system can have more than one Trunked Control Station. Therefore, it is required to distribute the data packets fairly among the Trunked Control Stations and the distribution should be transparent to the applications in the Application Server. A simple way to achieve fair distribution is to group the radios into 'n' sets, where 'n' is the number of Trunked Control Stations and associate each set to a Trunked Control Station. For each set of radios, it is required to make one or more entries in the IP Routing Table of the Application Server so that a data packet transmitted to a radio is routed to the port of the Trunked Control Station associated with the radio.

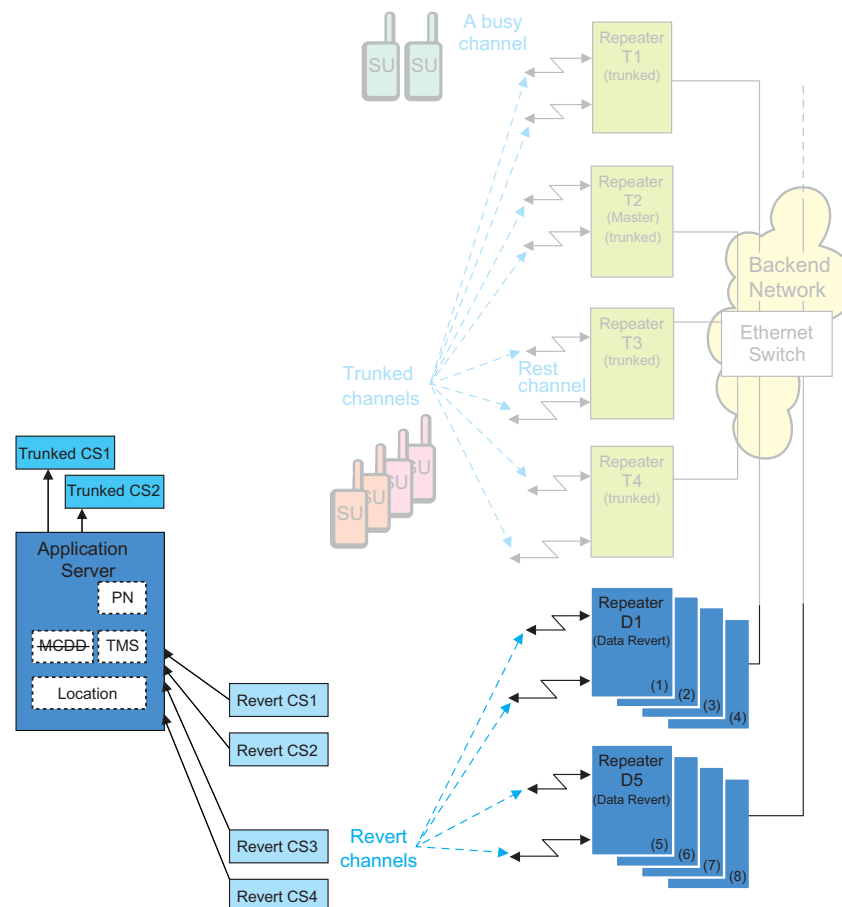


Figure 3-46 Capacity Plus Devices with Data over Revert Channels

3.2.5.1.4.1 A System with a Dispatch Station (Console)

A dispatch station can be connected to a Capacity Plus system using one or more Trunked Control Stations. The interface between the dispatch station and the Trunked Control Stations can either be 4-wire or XCMP/USB. The dispatch station could either be a single position console, or a multiple position server-based system.

The number of Trunked Control Stations depends on the number of concurrent paths supported by the dispatch station. A simple configuration will have one Trunked Control Station dedicated to each group. The dispatch station maintains the association between the group and the Trunked Control Station. To make a call to a group, the dispatch station uses the Trunked Control Station associated within the group. The configuration may have a Trunked Control Station dedicated to a Private Call. All the radios have this Trunked Control Station listed in their address book as a dispatcher.

If the configuration has data applications, then the Trunked Control Stations for both data and dispatch station should be mutually exclusive. This means that a Trunked Control Station should not be used for both data and voice. The configuration is shown in the following figure.

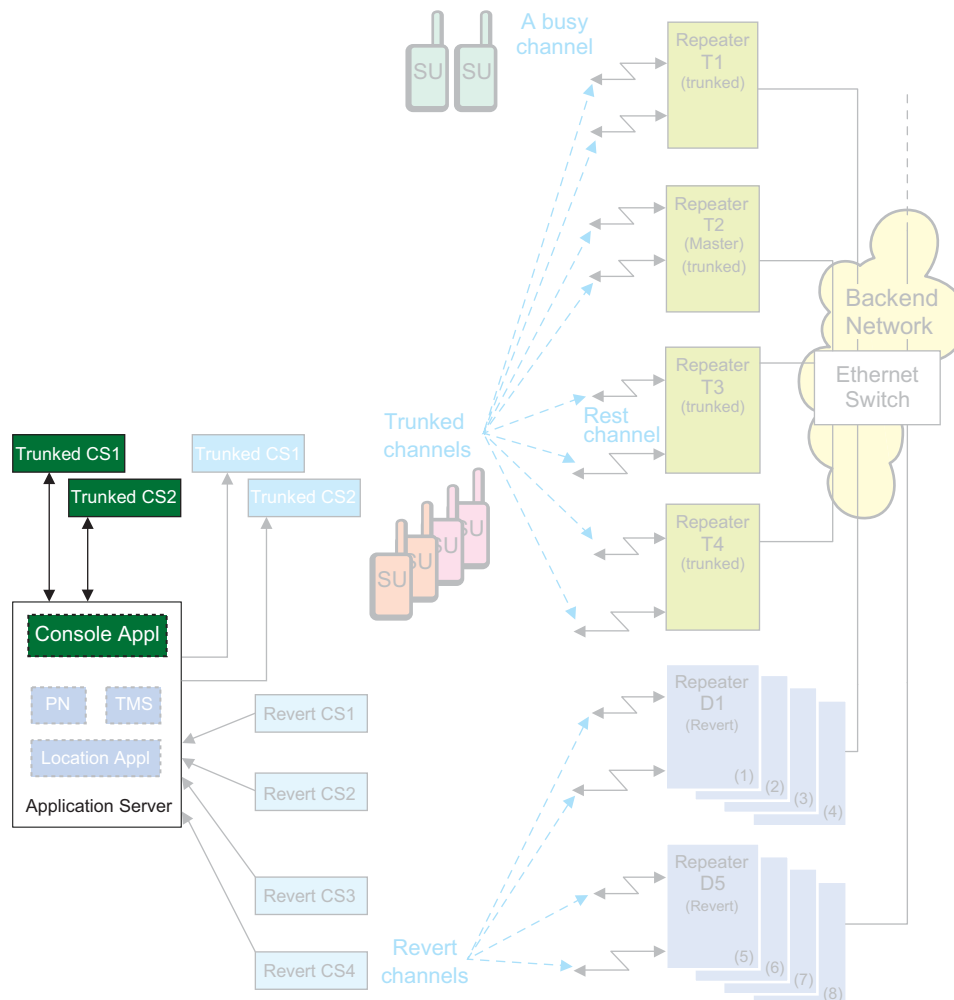


Figure 3-47 Capacity Plus Devices with a Dispatch Station (Console)

3.2.6 Linked Capacity Plus (LCP) Mode

Linked Capacity Plus allows up to 15 sites in a system. Each LCP site can have up to six trunked repeaters (12 logical channels) and 3 Data Revert repeaters (6 logical channels) per site. It is not a requirement to have the same number of repeaters at each site. A Linked Capacity Plus system supports local calls (that is, a local call is received by radios at only one site) and the number of repeaters at a site is a function of the expected volume of the local calls. Additionally, due to co-channel interference or failure of repeaters, the number of available repeaters may be different at different sites.

All repeaters at a site must be on the same LAN, in other words, they must be behind the same router and plugged into the same network switch. It is strongly recommended that no other device be present on the LAN. For LCP software versions R02.10.00 and prior, the router at the Master repeater's site should be capable of hair-pinning, to ensure that the firewall is open to limited UDP and IP addresses. In software versions R02.20.00 and later, LCP can work with, or without hair-pinning capabilities in the router at the Master repeater's site. When a non-hair-pinning router is utilized, each LCP repeater at the Master repeater's site must be configured with a unique static IP address and a unique UDP port. The Rest Channel/Site IP address must also be configured as a unique static IP address and a unique UDP port for the site. If a non-hair-pinning router is utilized, the router must be configured to "no port address translation/port preservation for UDP".

For an advanced security, a router with VPN capabilities can be selected. However, a VPN router requires at least 50% more ISP bandwidth than a non-VPN router. Thus, appropriate trade-offs need to be considered between the ISP bandwidth and the desired level of system security. A secure router usually contains firewall, network address translation, and encryption capabilities. The LCP system supports operation over both secure and non-secure modes of the router.

Only repeaters with 32 MB of internal memory can support the LCP configuration. Like an IP Site Connect conventional system, every LCP system needs one repeater to act as the Master. The Master repeater has a static IP address, while other repeaters have static IP addresses or obtain them dynamically from the ISP. All the repeaters in the LCP configuration register with the Master using the static IP address of the Master.

In LCP, a channel is configured either for trunking or for data revert. But both channels of a repeater should be used for the same purpose. This implies that if one channel of a repeater is a Trunked Channel, then the other channel is also a Trunked Channel. Similarly, if one channel of a repeater is a Data Revert Channel, then the other channel is also a Data Revert Channel. In LCP, a Data Revert Channel can be configured either as a local Data Revert Channel, or as a wide area Data Revert Channel.

A Data Revert Channel could be either an Enhanced GPS Revert Channel or a normal Data Revert Channel. Each logical channel of a Data Revert Repeater can be independently configured either as an Enhanced GPS Revert Channel or as a normal Data Revert Channel. A radio has a list of all Trunked Channels and a list of Data Revert Channels for each site.

Linked Capacity Plus can be deployed for various system topologies. The following section defines some of the key topologies.

3.2.6.1 Topologies of Linked Capacity Plus System

3.2.6.1.1 A Linked Capacity Plus System with Data over Trunked Channels (optional)

Figure 3-48 shows a basic LCP system having three sites. Site 1 and 2 has four trunked repeaters and site 3 has three trunked repeaters. The number of repeaters at each site need not be the same. In this configuration, all the repeaters are configured for trunked mode of operation - there is no Data Revert Repeater. One of the repeaters has an additional role of "Master"; a broker for discovering repeaters. The Master has a static address (IPv4 address and UDP port number), which is configured in all the repeaters. If the address of the Master changes, then all the repeaters must be reconfigured with the new address.

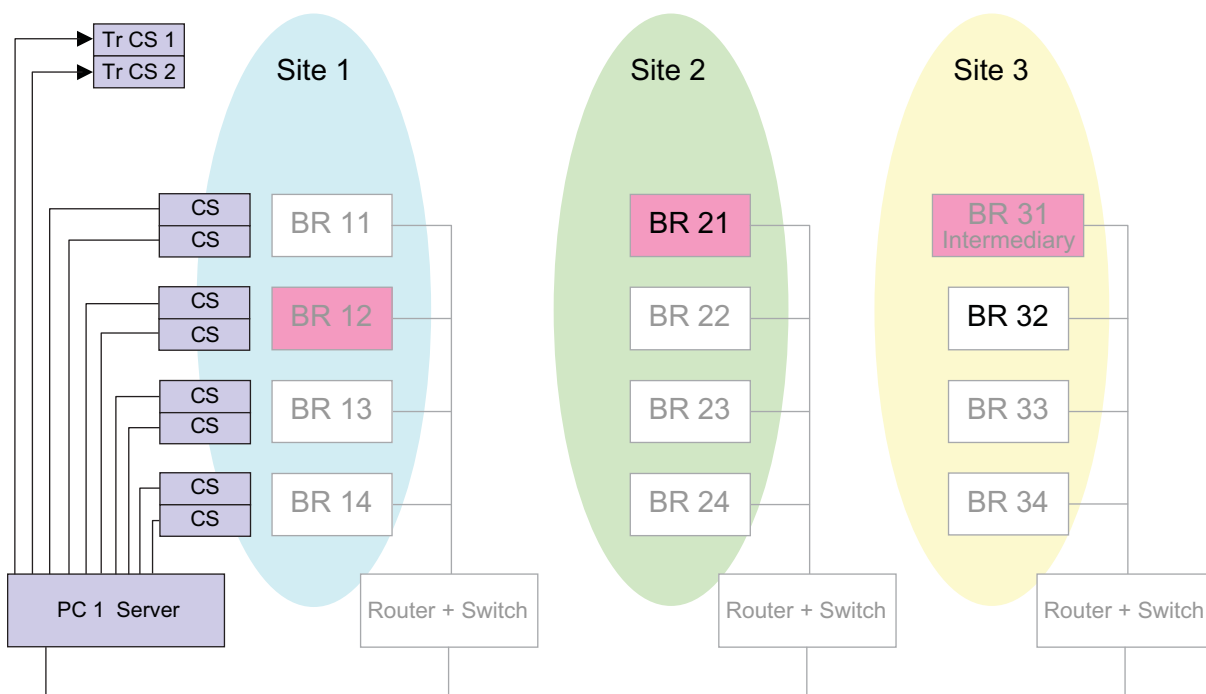


Figure 3-48 A Linked Capacity Plus System with Data over Trunked Channels

It is possible to send data messages to a Data Server over the Trunked Channels. This is recommended for a system that requires sending limited number of data messages to the server. If the data has to be sent to and from the server, then one Conventional Control Station per Trunked Channel and one or more Trunked Control Stations need to be added at a site in the basic topology. In this configuration, all the repeaters are configured for trunked mode of operation, where there is no Revert repeater. For this topology, the radio does not require a Revert channel list. The Trunked Control Stations are configured with no talkgroups and therefore ignore the calls received over-the-air. A Trunked Control Station follows the Rest Channel and when requested by a PC server, transmits the message sent by the server.

If there is more than one Trunked Control Station, the configuration should adhere to the following rules:

1. The maximum number of Trunked Control Stations should not exceed the number of the Trunked Channels.
2. To achieve a success rate of 90%, the number of data messages per minute per Trunked Control Station, should be less than 10. It is assumed here, that the payload of a data message is 50 bytes or characters long.
3. The IDs of all Trunked Control Stations should be different.
4. The radios should be grouped into 'n' sets, where 'n' is the number of Trunked Control Stations.
5. Each set of radios is associated to a Trunked Control Station. This implies that the configured IP address of the server in a radio is the IP address of its Trunked Control Station's peripheral.
6. For each set of radios, it is required to make one or more entries in the IP Routing Table of the Application Server such that a data packet transmitted to a radio is routed to the port of the Trunked Control Station associated with the set of the radio.

For group data that needs to be sent to multiple sites, the data talkgroup needs to be a wide-area. For data to be sent to the server, the data can be sent as an individual data call. Individual data calls engage only the source and destination sites of the call.

Like Capacity Plus, LCP requires Trunked Control Stations for data from a server to the radio. The Trunked Control Stations must be upgraded with LCP software. The Trunked Control Stations sending the server data as an application layer acknowledgement, shall delay the acknowledgement, by 420-480 ms, for a reliable reception by a radio. If more than one Trunked Control Stations are connected in the system, then the acknowledgement is sent based on the routing table in the server PC.

NOTE: The server PC cannot access the repeater interface, only the radio interface.

This topology is recommended when there are less RF frequencies for communication and where data calls are less frequent compared to voice calls. This topology is also preferable for small data throughput. The following LCP topology with a dedicated revert repeater provides higher data throughput.

A minimal variation of this configuration can have only one repeater per site. In this scenario, the LCP system is similar to an IP Site Connect system with the following differences. The minimal LCP system provides:

- Faster automatic roaming compared to an IP Site Connect system
- Additional SAT time of approximately 180 ms
- Reduced battery life by 45-60 minutes compared to an IP Site Connect system
- Higher call handling capacity because the system:
 - Works as a two-slot trunked system
 - Can have local talkgroups
 - Uses at most two sites for Private Calls
 - Uses statically associating sites for wide-area talkgroups

Another minimal variation of this configuration consists of only one site. In this case, the LCP system is similar to a Capacity Plus system.

3.2.6.1.2 Linked Capacity Plus with Data over Local Revert Channels

For a higher data throughput, the preferred configuration is to have channels dedicated for data only. Such channels are defined as Data Revert Channels. In a Revert repeater configuration, a Revert repeater is connected in local mode. Whenever a radio has to send data to the server, it switches to one of the revert channels in the revert channel list and transmits data on the revert channel. The conventional control station listening to each revert channel of the Revert repeater receives the data and sends it to the connected PC. The PC at each site routes the data to the server PC, hence only one server PC can manage the radios at different sites. A PC at each site routes the data to the server PC based upon its prior routing configuration.

Similar to Capacity Plus, in LCP, the server uses Trunked Control Stations to send the messages to a radio. To simplify the system topology, the Trunked Control Station needs to be present at one site only.

This system configuration can also be used with Enhanced GPS mode of the revert repeater. The overall revert topology remains the same.

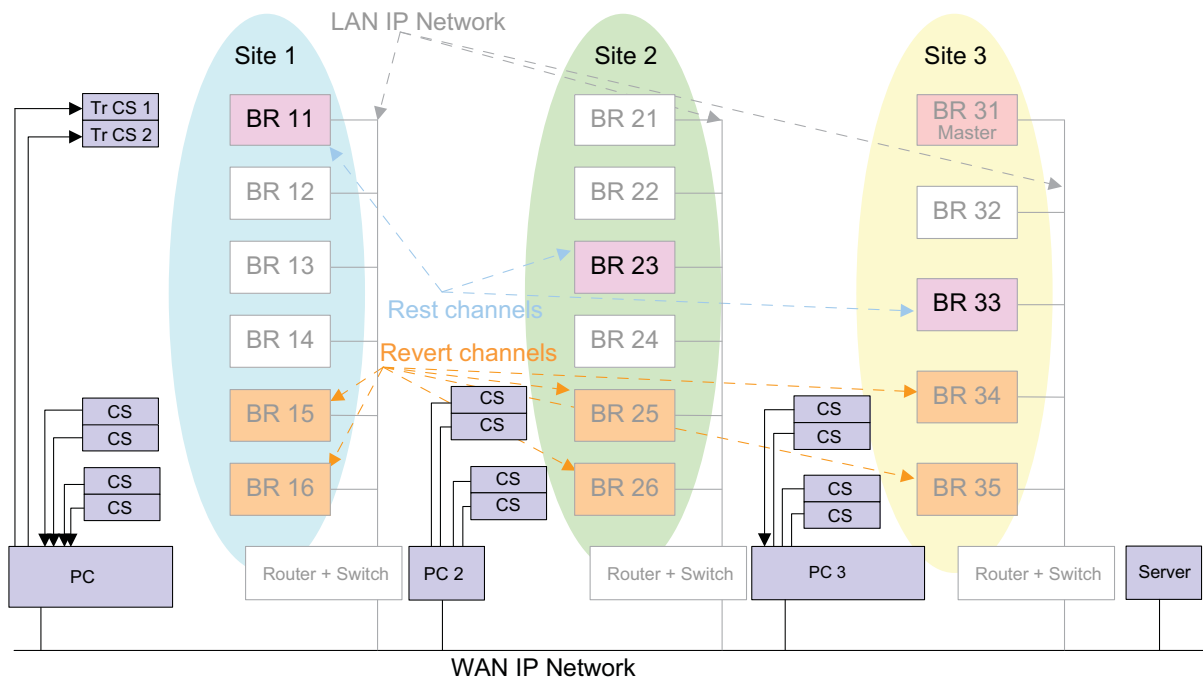


Figure 3-49 A Linked Capacity Plus System with Data over Local Revert Channels

3.2.6.1.3 Linked Capacity Plus with Data over Wide Area Revert Channels

This topology is similar to the previous, except that the revert repeaters are connected in a wide-area mode. This topology requires fewer control stations compared to the previous topology, since the revert repeaters are connected in a wide-area mode configuration. This topology also supports wide area mode of an Enhanced GPS Revert repeater. This topology requires the same number of revert repeater channels at each site.

The revert data call capacity of this configuration is 'n' times less than the configuration in the previous topology, where 'n' is the number of sites. The other configuration details for this topology are identical to the previous topology.

It is possible to combine topology 2 and 3. In a combined topology, some revert channels could be wide-area channels, and some local.

For example, radios in the wide-area talkgroup personality can use the wide-area revert channels while the radios using local communication can use the local area revert channels.

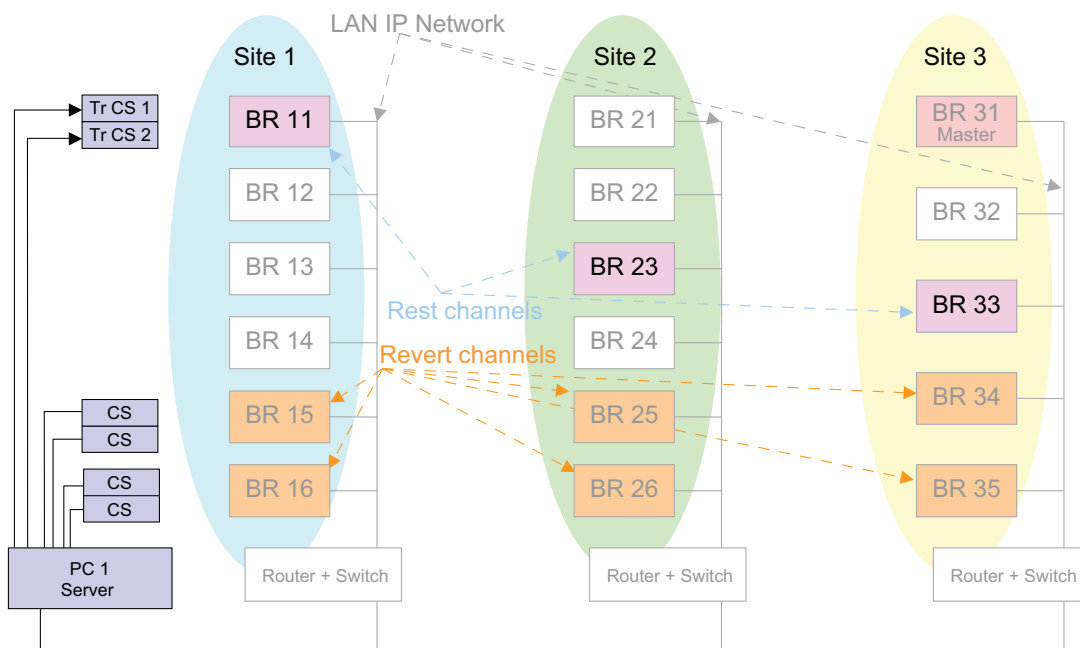


Figure 3-50 A Linked Capacity Plus System with Data over Wide Area Revert Channels

3.2.6.1.4 Summary of Features in Capacity Plus and Linked Capacity Plus Modes

The following features are supported in Capacity Plus and Linked Capacity Plus modes:

Digital MOTOTRBO Radios in Capacity Plus and Linked Capacity Plus Modes					
Voice Features	Signaling Features	Emergency Handling	Data Calls	Other Features	
Group Call	PTT ID and Aliasing	Emergency Alarm	Text Messaging	Trunked Channels	Remote Diagnosis and Control
Private Call	Radio Inhibit	Emergency Alarm and Call	Location Tracking	Two Channels (Slot 1 and Slot 2)	Privacy
All Call	Remote Monitor	Emergency Alarm with Voice to Follow	Telemetry	Shared Channel Support	Time-out Timer
Dual Tone Multi Frequency	Radio Check	Emergency Revert Group	Third-Party (ADP) Applications	Call Initiation by a Listening Radio	Option Board
Voice Interrupt	Call Alert	Emergency Voice Interrupt	Data Revert Channels	–	–
Digital Telephone Patch	Remote Voice Dekey	–	Data Over Voice Interrupt	–	–

The following chapter discusses some of the considerations to take while designing a MOTOTRBO system. It focuses more on how the user uses the system, and the configuration needed to support it. Although a basic system topology may already have been chosen, the next chapter helps dig deeper into how the end user utilizes the system, and therefore gives additional ideas on how it should be configured.

SECTION 4 SYSTEM DESIGN CONSIDERATIONS

4.1 Purpose

This section describes various system configurations readers need to know before deciding how to best support the needs and usage of their customers. It explains the usage supported on a single repeater system, as a guideline for design. It then identifies the customer needs that need to be considered when optimizing system performance. It continues to cover various other considerations that may need to be addressed during the design phase.

Please note that all data application modules contained in this system planner are depictions of typical third party data application modules and have been included simply to illustrate certain MOTOTRBO application enabling features.

4.2 Analog to Digital Migration Plans

System Migration is the process of moving from one operating platform to another. The following sections elaborate system migration from an analog two-way radio platform to a digital two-way radio platform.

4.2.1 Pre-Deployment System Integration

Where applicable, the dealer should perform system assembly, configuration, adjustment, and brief testing of the MOTOTRBO system. Each component contains documentation necessary for system installation and optimization. The benefits of staging a system in a controlled environment include:

- Equipment accountability in preparation for system assembly
- System assembly and programming in a controlled test environment
- Documentation of programming information
- Fabrication of cables and connectors
- Test of complete functionality and initial level-setting for system optimization

4.2.2 Analog to Digital Preparation and Migration

A Dynamic Mixed Mode repeater does **not** enable communication between legacy analog and MOTOTRBO digital radios operating in digital mode. When the repeater receives an analog call, it retransmits in analog mode. When the repeater receives a digital call, it retransmits in digital mode. It is the scanning feature in the subscriber that allows the MOTOTRBO radios, programmed with both analog and digital channels, to listen to analog calls from legacy analog radios. While the MOTOTRBO radio is listening to an analog call through PL scanning, it talks back in analog mode, if keyed up within the call hang time.

NOTE: The MOTOTRBO radio needs to be in analog mode to initiate or return an analog call with legacy analog radios.

This section details migration strategies which involve gradually replacing existing analog radios with MOTOTRBO radios.

1. To migrate a system with a single non-MOTOTRBO repeater channel, radio users are encouraged to use MOTOTRBO radios in digital direct mode/dual capacity direct mode. This gives them an opportunity to familiarize themselves with the MOTOTRBO digital feature set, while communicating with legacy analog radios through the legacy analog repeater. If the analog system does not use any PL/DPL encoding, then analog radios will hear noise caused by digital radio transmissions communicating in direct mode/dual capacity direct mode.

Over time, as the number of MOTOTRBO radios increases, a cut-over day is pre-determined. On that day, the legacy analog repeater will be replaced by a MOTOTRBO digital repeater. Radio users communicate with each other in Talkaround while the new repeater is being installed. Once the MOTOTRBO repeater is operational, MOTOTRBO radio users switch to digital repeater mode, while legacy analog radio users communicate in Talkaround.

2. To migrate a system with two repeater channels, MOTOTRBO radios are programmed with both the current analog channels as well as future digital channels. A recommended approach is to place all the analog channels in one 'zone', and all digital channels in another 'zone'. Analog and digital channels are programmed into the MOTOTRBO radios to allow users to communicate on both repeaters. Scan Lists are configured to allow users to monitor both analog and digital voice transmissions.

Both the existing analog repeater and the MOTOTRBO repeater (in digital mode) should be set-up to operate side-by-side. This configuration requires two frequency pairs: one pair for the analog repeater and one pair for the MOTOTRBO repeater. Users gradually migrate over to the MOTOTRBO repeater (i.e. legacy analog radios are swapped for MOTOTRBO radios). Once every analog radio has been swapped with a MOTOTRBO radio, the legacy analog repeater can be replaced with another MOTOTRBO digital repeater. The system is now fully digital with two digital repeater channels.

3. To migrate a system with a single MOTOTRBO repeater channel, load/upgrade the MOTOTRBO repeater with firmware version R01.06.10 or later. Configure the repeater to Dynamic Mixed Mode using the CPS. This configuration requires one frequency pair. Analog and digital channels are programmed into the MOTOTRBO radios to allow users to communicate through the same repeater. Scan Lists are configured to allow users to monitor both analog and digital voice transmissions on the same frequency.

In Dynamic Mixed Mode, MOTOTRBO system does not enable some of the digital only features like IP Site Connect, Capacity Plus, Transmitter Interrupt and RDAC over IP. The system allows digital and analog voice transmission at one site.

Once every analog radio has been swapped with a MOTOTRBO radio, the MOTOTRBO repeater can be reconfigured to fully operate in digital mode, therefore allowing the user to experience all available digital features.

4.2.3 New/Full System Replacement

The new/full system replacement strategy involves replacing all existing equipment with MOTOTRBO equipment. Typically, a new/full system replacement involves minimal downtime as the analog repeater is replaced immediately with the MOTOTRBO digital repeater. Radio users carry their existing radios as well as MOTOTRBO radios on cut-over day. Initially, users continue to access the radio system in the same manner as before. Once the analog repeater is removed from the system, the radio users switch to digital direct mode/dual capacity direct mode communication using MOTOTRBO radios. After the MOTOTRBO repeater is installed and becomes operational, radio users switch their MOTOTRBO radios to digital repeater mode.

The new/full system replacement relies on the MOTOTRBO equipment being properly programmed and tested before being deployed.

4.3 Frequency Licensing

4.3.1 Acquiring New Frequencies (Region Specific)

The licensing process varies from region to region. Generally, before the license process begins, detailed information about the proposed radio system must be provided to the frequency coordinator, such as:

- **Frequency/ Frequency Band** – Frequency band or specific frequency it operates on.
- **Subscriber Radio Count** – The number of radios that will operate on the system.
- **Output Power/ERP** – The output power of the system amplifier, as well as the effective radiated power (ERP), which is the system's power at the antenna.
- **Emission Designators** – Includes several pieces of vital information, such as modulation, signal, type of information and size of the channel. This determines the channel width your system will occupy. For MOTOTRBO systems, the Emissions Designators are
 - **Data only:** 7K60FXD
 - **Voice and Data:** 7K60FXE

The first four values are defined as the 'Necessary Bandwidth'. This can be derived from the 99% Energy Rule as defined in Title 47CFR2.989. The next two values are the 'Modulation Type' and the 'Signal Type'. The final value is the 'Type of Information' being sent. More information can be found with the region's frequency coordinating committee.

- **International Coordination** – For stations near another country's border, refer to a frequency coordinating committee for licensing frequencies adjacent to that country.
- **Antenna Information** – You must also provide the following information about your antenna:
 - **Structure.** The most common codes are:
 - B – Building with side mounted antenna
 - BANT – Building with antenna on top
 - MAST – Self-supported structure
 - PIPE – Pipe antenna
 - POLE – Any type of pole antenna
 - TOWER – Free standing guyed structure used for communications purposes
 - Height
 - **Antenna Height** – Antenna height from ground to tip, in meters.
 - **Support Structure Height** – If antenna is mounted on top of a building, it is the distance from ground to the top of the building. Check with the building management company for this information.
 - **Coordinates** – Latitude and longitude should be listed in degrees, minutes and seconds.
 - **Site Elevation** – The antenna site ground elevation above sea level. This information should always be in meters.

4.3.2 Converting Existing 12.5/25 kHz Licenses

The process for converting 25 kHz to 12.5 kHz varies between regions. It is recommended to contact the local frequency coordinator's office to inquire how to re-file existing frequency allocations. There are also consultants that specialize in frequency coordination and can advise on the filing process. In the US, the following are general guidelines for frequency licenses:

- For existing 12.5 kHz license(s), the user needs to file an update to the emission designators indicating 7K60FXE (for voice) and 7K60FXD (for data) for all applicable frequencies.
- If the user has existing 25 kHz licenses(s), they need to file an update to the emission designators to include 7K60FXE (for voice) and 7K60FXD (for data) for all applicable frequencies. Typically, the user will then be allowed to transmit a 12.5 kHz signal bandwidth at the same center frequency as the original 25 kHz license. Please note that it is not a straightforward process to convert an existing 25 kHz license into a pair of 12.5 kHz channels. Users are generally NOT allowed to split their 25 kHz channel into two 12.5 kHz sub-channels that would operate off center from the original license and adjacent to one another.

4.3.3 Repeater Continuous Wave Identification (CWID)

The repeater can be configured to transmit the CWID if required by the region. The CWID is also known as the Base Station ID. The CWID is an analog transmission of the station in Morse code that takes place every 15 minutes. This identification, as well as the transmit interval, can be configured in the repeater using the CPS.

To ensure proper Dynamic Mixed Mode operation, only exclusive CWID transmission is supported in MOTOTRBO repeater operating in Dynamic Mixed Mode. Mixed CWID is not supported in order to be compliant with the digital mode of operation. Furthermore, the exclusive CWID transmission cannot be interrupted by either over-the-air transmissions or PTT transmissions by the repeater's accessories.

4.4 Digital Repeater Loading

The designer is able to choose the number of channels required to support his customer's expected traffic after understanding how much traffic a single slot (channel) can support. The amount of traffic on a channel is dependent on numerous variables, which are difficult to estimate exactly at design time. Since MOTOTRBO comprises of Voice traffic, Text Messaging traffic, Location Tracking traffic, Registration and Signaling traffic, previous voice traffic only methods to gauge repeater capacity may not be sufficient. Because this traffic is mostly initiated by the end user, it is difficult to predict how often it occurs. Standard usage profiles of existing customers have been created for voice and data services. These profiles act as a baseline for estimating how much traffic a user creates on a system. If the standard profiles do not match your customer's expected usage, further estimations based on the trend lines need to be considered. After the system is used, and real life usage is identified, further adjustments may be required.

4.4.1 Assumptions and Precautions

Channel loading analysis involves several assumptions:

- Generalized high-level view of data and voice services interaction represents true interaction.
- An estimated amount of blocking, interference, reliability, and call denials varies with the traffic profile and could change some of the results used.
- An estimated number of radios using the location tracking feature (100%) and the rate of those messages for the high-end traffic profile (once every minute for every mobile) is used.

Given these assumptions, the chart presented can be used to provide customers with a general rule of thumb for levels of user experience expected based on the number of users. In addition, for this analysis, the term "number of users" is used to indicate the number of active/participating users generating traffic, and does not include the number of users who monitor the activity of other radios on the channel.

4.4.2 Voice and Data Traffic Profile

The following table summarizes the standard traffic profiles for voice and data. The three traffic types considered are voice calls (Group Calls and Private Calls), data transmitted for location tracking and text messaging. For each traffic type, two levels are set. One, is for the case of a typical low usage or light traffic user, and the other is for a typical high usage or heavy traffic user. The voice and text messaging profiles are derived using assumed typical behaviors.

These profiles act as a baseline for estimating how much traffic a user creates on a system. If these standard profiles do not match your customer's expected usage, further estimations based on the trend lines need to be considered. Further, this is the profile of how all users on a channel will act together. It is understandable that not all users will use this profile all the time. These profiles should be used with Figure 4-1 to estimate the number of users per channel that yield an acceptable user experience.

Profile Name	Traffic Type	Call Description	Traffic Per User Per Hour	
High Voice	Group Voice Call	10 second call, 2 transmissions per call	3.0 Calls per User per Hour	90%
	Individual Voice Call	20 second call, 4 transmissions per call		10%
Low Voice	Group Voice Call	10 second call, 2 transmissions per call	1.0 Calls per User per Hour	90%
	Individual Voice Call	20 second call, 4 transmissions per call		10%
High GPS	Location Updates	660 milliseconds (for Single Repeater and IP Site Connect) per transmission and 540 milliseconds (for Capacity Plus mode) per transmission	60 GPS Transmissions per User per Hour i.e. 1 Minute Update Period (Cadence)	
Low GPS	Location Updates	660 milliseconds per transmission	6 GPS Transmissions per User per Hour i.e. 10 Minute Update Period (Cadence)	
High Text Messaging	Text Messaging	100 characters per message	2.5 Text Messages per User per Hour	
Low Text Messaging	Text Messaging	100 characters per message	0.5 Text Messages per User per Hour	

4.4.3 Estimating Loading (Single Repeater and IP Site Connect)

The following chart indicates the user experience level (the impact on the network) that the number of active users, using combinations of the defined profiles of “Voice and Data Traffic Profile” above, will experience.

Each line in the chart has a combination of Voice, GPS, and Text Message at different usage levels. For example, the blue line identified as “Low Usage (Voice, GPS, Text)” represents a channel where each user transmits 1 Group Call an hour, 0.5 text messages an hour, and has a GPS Update Period (Cadence) of 10 minutes. If the defined profiles do not exactly match the estimated usage, the reader will need to extrapolate between two trend lines.

There are two levels shown in the graph to describe user experience – good to fair. The good level means that the system is supporting this level well and if the customer is operating in this level the majority of the time, then the system is adequately provisioned. This means that the fair level may be reached for short periods of time as long as the system returns to supporting a lower level of traffic for the majority of the time.

It is advised to avoid operating in the fair level when possible. If the customer experiences issues with reliability and/or call denial, this could indicate that the system is operating in the fair level for longer periods of time. If this occurs, the customer may require additional repeaters to support their traffic load. A system that operates in the fair level for the majority of the time results in longer wait times and having a significant number of unsuccessful attempts to acquire the channel on the user’s first attempt. These conditions would result in an unsatisfactory level of performance for the end users, even though the system itself is capable of operating in this region.

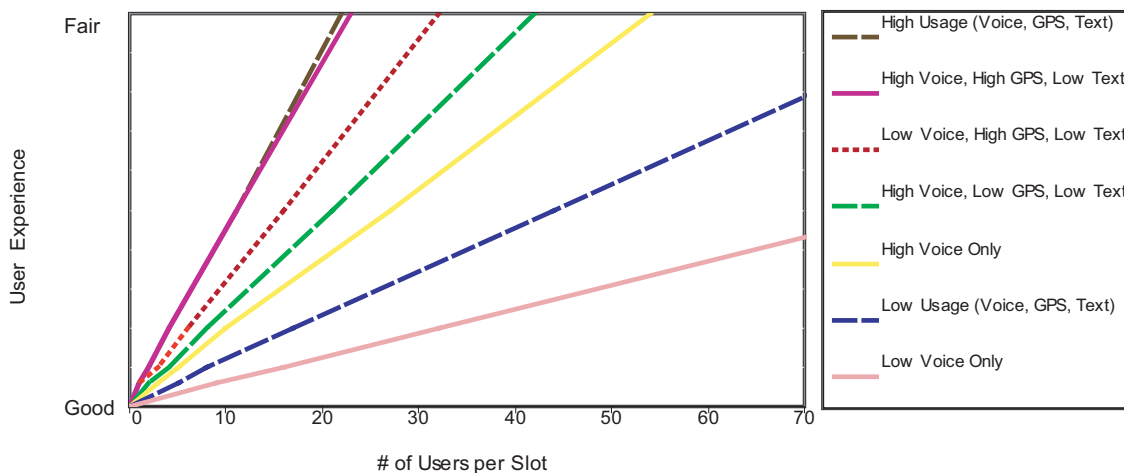


Figure 4-1 Number of Users per Slot versus User Experience

There are trends indicated in the chart that are worth noting. One is the impact in going from a Low Voice usage traffic environment to a High Voice usage traffic environment. The chart shows that a customer using the system for voice services only should be capable of supporting approximately 45 users on the channel if the user traffic falls into the Low Voice usage traffic profile (one call per user per hour). However, if the customer intends to support a higher level of voice traffic, a single channel should be capable of supporting between 15 and 20 users and still remain in the good user experience level. It will always be difficult to accurately predict a customer’s usage as being either high or low. It is expected that most customers will operate somewhere in between these

two profiles. The designer must use knowledge of the customer's organization and their expected usage to predict where on this chart they will operate. Note that the voice-only lines are a good frame of reference for existing customer with analog voice systems. These trend lines represent those of a voice-only analog system and a voice-only digital system. Understanding what user experience level a customer is currently operating at can help with predicting the new user experience, when adding data services.

Two other trends from the chart are also worth pointing out. The first is that the level of adding data (low traffic for location tracking and text messaging) does not cause a huge impact to the number of users supported. For example the lines for High Voice usage traffic (one with voice only and the other with the addition of low location tracking and text messaging) both show that supporting 15–20 active users on one channel will keep the system from approaching the stressed level. Similarly, both curves for the Low Voice traffic show that 30–35 users could be supported well on a single channel.

Another important note is that these trend lines are associated with a single slot of a MOTOTRBO repeater. Since MOTOTRBO is a two-slot TDMA system, a customer that is upgrading from a traditional FDMA one channel conventional system will have the ability to split users into two slots. For example, if a high usage voice only customer is currently supporting 30–40 users on a single channel, they are most likely operating in a “fair” or “stressed” environment, and will likely need to expand their system. If they switch to a MOTOTRBO system, they can divide their users into the two available channels. This means a single channel now has only 15–20 users, which would bring the customer back to a good user experience level. Subsequently, adding on low usage data services on both channels will cause minimal impact to performance.

4.4.4 Estimating Loading (For Capacity Plus)

The following charts (see Figure 4-2 and Figure 4-3) indicate the number of Trunked Channels (i.e. slots) a Capacity Plus system requires for a given user experience, for a given number of active users, and for different combinations of the Voice and Data Traffic profiles as defined in 4.4.2. It is assumed here that the number of groups are more than the number of channels.

The charts represent a radio user's experience in making a call in terms of Grade of Service (GoS). GoS is directly related to the probability of a call getting blocked i.e. probability of all the Trunked Channels being busy. For example, a GoS of 2% means that 2% of the calls made by the radio users will be either denied or will need to wait for a channel to become available.

The “channel” in the chart refers to a logical channel (i.e. a slot). In Capacity Plus, both channels of a repeater are in either trunked mode or none. Therefore, the charts provide the number of users only for an even number of channels.

The number of calls handled by a Capacity Plus system may vary considerably based upon the quantity of users and volume of calls. Most systems are heavily loaded for a few hours in a day. It is recommended that the system be designed with an adequate amount of channel resources to handle peak as well as off-peak traffic.

The first chart is for High Voice profile (i.e. 3 Calls per User per Hour) with no GPS data. The same chart can also be used for other voice-only profiles by adjusting the “number of users” (i.e. the x-axis) of the chart. For example, in the case of Low Voice profile (i.e. 1 Call per User per Hour), the “number of users” should be multiplied by three.

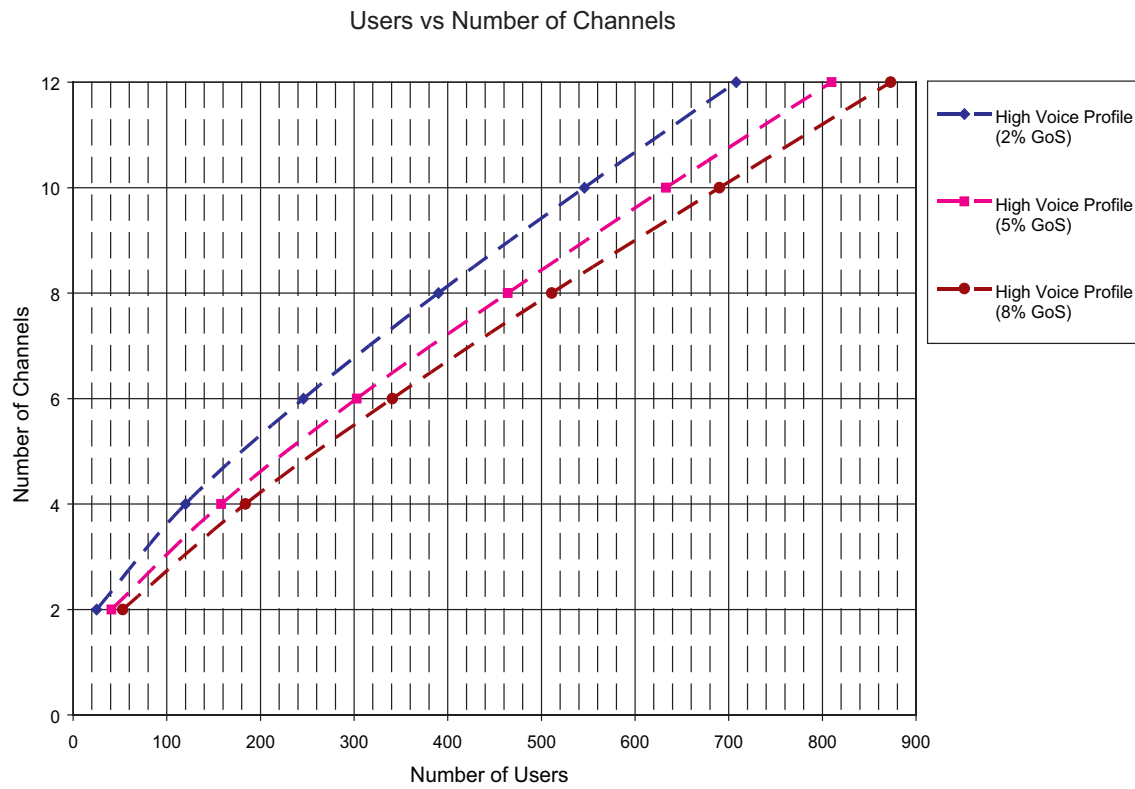


Figure 4-2 Number of Users versus Number of Channels for Voice-only Profile

Figure 4-3 is for mixed voice and GPS data profile. It has two sets of graphs – one for High Voice with low GPS data and the other for Low Voice with low GPS data. Both voice and GPS data are using the Trunked Channels. Take note of the trend indicated in the chart. The number of users do not increase proportionally with the number of channels. The rate increases as the number of channels increase. This is due to the fact that the efficiency of trunking increases with the increase in the number of channels.

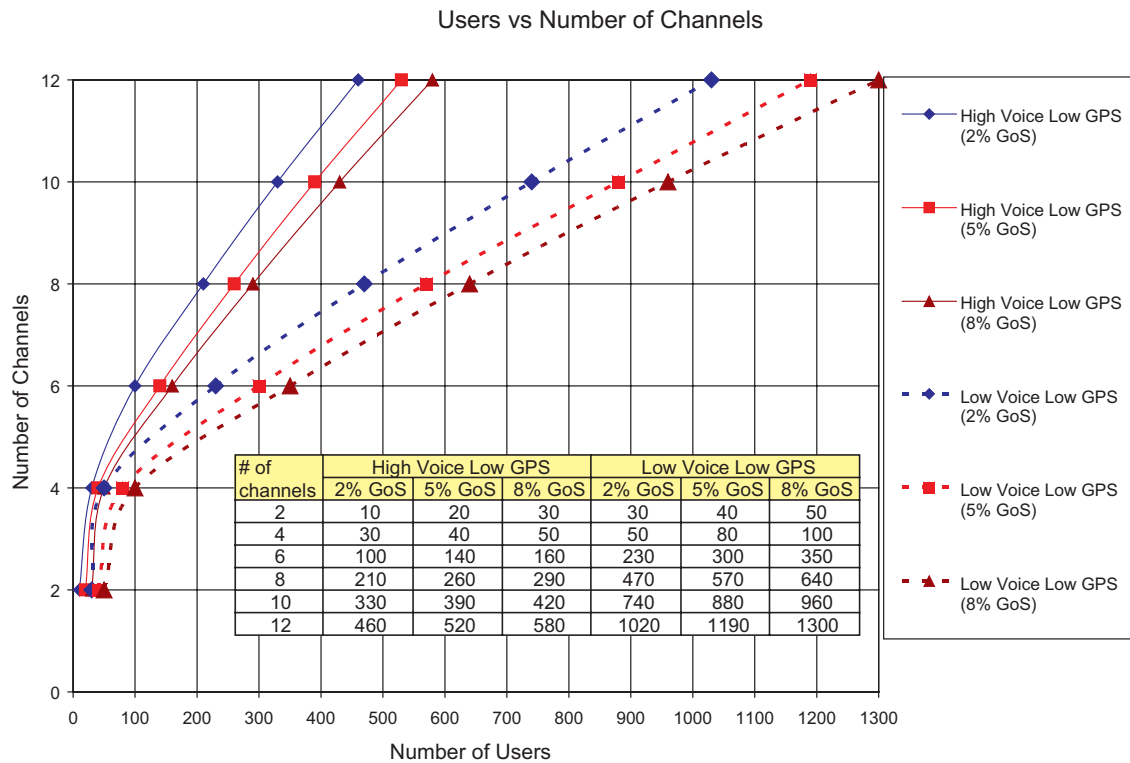


Figure 4-3 Number of Users versus Number of Channels for Mixed Profiles

In the case of high GPS data, it is recommended that a Capacity Plus system have exclusive channels for data called Data Revert Channels. Figure 4-5 shows graph for high GPS data over revert channels. A Data Revert repeater offers two Data Revert Channels and a revert channel can carry up to 20 location updates per minute with a success rate of 95% and 40 location updates per minute with a success rate of 85%.

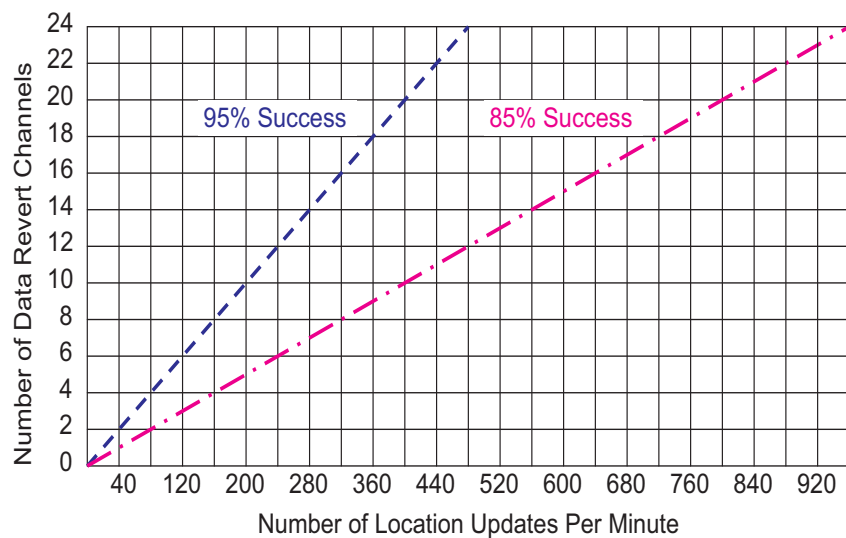


Figure 4-4 Number of Location Updates versus Number of Data Revert Channels

4.4.5 Estimating Loading (For Linked Capacity Plus)

If the number of Trunked Channels are **not** the same at all sites, the loading for Linked Capacity Plus can be estimated by first estimating the loading of a Capacity Plus system having 'n' Trunked Channels, where 'n' is the **number of Trunked Channels at the smallest site**.

Example: For 12 trunked channels (i.e. 6 trunked repeaters), high voice only profile (See "Voice and Data Traffic Profile" on page 247), and Grade of Service = 2%, a Capacity Plus system can support approximately 700 radios (See Figure 4-2).

A Linked Capacity Plus system handles the local calls as efficiently as Capacity Plus. Therefore if all calls are local, then for three sites, a Linked Capacity Plus system can handle $3 * 700 = 2100$ radios.

If all the calls are wide area talkgroup calls, then the number of radios supported by a Linked Capacity Plus system is 700, which is the same as the number of radios supported by a Capacity Plus system.

To estimate supported loading in both local and wide area talkgroup calls, assume the following:

S = Number of sites (maximum of 3);

W = Average number of sites associated with wide area talkgroups;

L = Number of local calls as a fraction to total number of calls (e.g. if there are 500 local calls out of total 1500, then $L=1/3$);

With the above assumptions, the supported loading by a Linked Capacity Plus system is:

$R * S (L + (1-L)/W)$ radios,

where 'R' is the number of radios supported by a Capacity Plus system.

Example: For 3 sites (**S=3**), 12 trunked channels, 2% Grade of Service, one third local calls (**L=1/3**), and an average of 2 sites associated with wide area talkgroups (**W=2**), a Linked Capacity Plus will be able to support **$700 * 3 (1/3 + (1-1/3)/2) = 1400$ radios.**

NOTE: 700 is the number of radios supported by a 12-channel Capacity Plus system at 2% Grade of Service.

If the number of trunked channels is different at all the sites, the loading for Linked Capacity Plus can be estimated by first estimating the loading of a Linked Capacity Plus system having 'n' trunked channels, where 'n' is the number of trunked channels at the smallest site. This is explained in the following example.

Example: An LCP system has four sites – A, B, C, and D. Sites A and B has two trunked repeaters and sites C and D has three trunked repeaters. Then, for 2% Grade of Service, one third local calls (**L=1/3**), and an average of 2 sites associated with wide area talkgroups (**W=2**), a Linked Capacity Plus will be able to support **$120 * 4 (1/3 + (1-1/3)/2) = 320$ radios.** Note that '120' is the "number of users", which comes from Figure 4-2 for number of channels = 4 and 2% grade of service. If the additional capacity at site C and D are designed for local calls, then Site C or Site D can support 240 users (refer to Figure 4-2 for number of channels = 6), that is, an additional 120 users at Site C and an additional 120 users at Site D. Thus, the total number of users supported by the system is **$320 + 120 + 120 = 560$ radios.**

In the case of high GPS data, it is recommended for a Linked Capacity Plus system to have exclusive channels for data defined as Data Revert Channels. Figure 4-4 shows a graph for high GPS data over revert channels. A Data Revert repeater offers two Data Revert Channels and a revert channel can carry more than 20 location updates per minute with a success rate of 95% and 40 location updates per minute with a success rate of 85%.

4.4.6 Loading Optimization (For Single Repeater and IP Site Connect)

There are further considerations to take when configuring your MOTOTRBO system to ease the traffic load on a channel. These considerations should always be taken into account, especially if the designer is forced to operate outside of the “good” user experience range, although operating in such a manner is not recommended.

4.4.6.1 Distribution of High Usage Users

It is good design practice to identify and distribute high usage users and groups between slots of a single repeater, or even other repeaters. This keeps the number of users that follow a high usage traffic profile to a minimum per channel. Groups are generally assigned to operate on a particular slot of a repeater. Through discussions with the customer, the designer should identify high usage groups and distribute them over different slots.

Groups and users that are on different slots cannot communicate with each other. They need to manually change their selector knobs to communicate with the users and other groups on the other slot. In most cases, this is not a problem since organizations can usually be broken into at least two groups of users. But in the case where a customer only has one group of users who all need voice communication between each other at all times, then evenly distributing the voice and data load between two channels becomes more complicated.

If there is only one group in a system, its users can all be programmed to operate on a particular slot. Their Group Calls, Private Calls, text messages, location updates will all be transmitted on the programmed slot. This is an acceptable configuration, although it leaves the other slot completely unused. If the number of users and their usage grows, the slot may be unable to support their traffic. For example, if a customer has 50 users with voice and GPS usage all on one time slot, their user experience may be poor due to the traffic loading. It is highly recommended that the users in this case be broken into two unique groups of 25, and distributed between the slots.

In the event, that all users could be broken into two unique groups, but are required to maintain voice communication with each other, the solution is to split the same group across the two slots, and enable scan. One half of the group should be assigned to slot 1, and the other half assigned to the same group, but on slot 2. They should use the same group number. This can be done by having two channels with the same frequencies but different slots, and with the same group as the TX Call Member. All radios should include both (and only) these two channels in their selected Scan List. Scan hang time duration should be set to the Group Call hang time duration in the repeater, which defaults to two seconds. Talkback scan should always be enabled so that users can talkback during the scan hang time. When assigning all users to the same group, the use of scan primarily serves to aggregate the multiple channels into a single logical channel for voice. Location data will be transmitted out the selected channel when no voice is taking place. Therefore location data will be evenly distributed across two slots. Note that when a voice call occurs, all radios will scan and land on a particular slot. The other slot will be empty at this time since all radios will be monitoring the voice call.

The drawback of this operation, and why it is not generally recommended, is that this configuration essentially cuts the voice capacity of a repeater in half since only one voice call can take place at any given time, although this does allow for data transmission to occur at the same time on the different slots of a repeater. Furthermore, if two radios transmit at the same time on different slots, some of the radios will scan to one slot, and some will scan to the other slot. It is not possible to predict the distribution since all radios are scanning. Also note, that while scanning, the probability of missing a voice header and entering a call "late entry" increases, therefore missed audio may occur. Because of these drawbacks, it is highly recommended to break users into at least two unique groups and distribute them across slots, and only use this scanning strategy if completely necessary.

4.4.6.2 Minimize Location Periodic Update Rate

The high usage location profile defined assumes that every user on the channel has location capability and uses a 1 minute refresh rate. In actual fact, if every user actually has a 1 minute refresh rate, this increases the traffic loading tremendously. It is recommended that users be configured to use a 10 minute update, and to only increase individual radios to a 1 minute update rate during emergencies or special situations. Although each customer scenario may be different, knowing a user's location every 10 minutes is usually considered sufficient. If a user reports an emergency, his location update rate can be increased by the location dispatcher for a short period of time. The minimum interval between updates (High Cadence setting) can be set as low as 10 seconds, but with the concerns mentioned above kept in mind.

In order to help visualize the impact of setting the Location Update Period between 1 minute and 10 minutes, the following graph was created using the data presented in Figure 4-1. The following assumes a specific desired user experience (approximately mid-way between good and fair). The graph was plotted using the intersection of the Low GPS (10 minute Cadence) and High GPS (1 minute Cadence) lines for High Voice and Low Voice with the desired user experience design goal.

The chart provides a method to easily set the Location Update Period for a particular number of users on a channel, while keeping their voice usage in mind. The intersection between the number of users and the Location Update Period should always be above the line for the applicable voice usage. For example, if a channel has 10 users, and the users have been determined to be High Voice users (3 calls per user per hour), then it is recommended that the Location Update Period be set to 3.5 minutes or higher (longer). Because it is very difficult to determine the true voice usage profile, the administrator/dealer needs to make a judgment call on whether the usage leans towards the High Voice Usage trend or the Low Voice Usage trend.

Although the impact is not substantial, it should be noted that utilizing a high cadence location update rate lowers the overall battery life of the radio since it will be transmitting often.

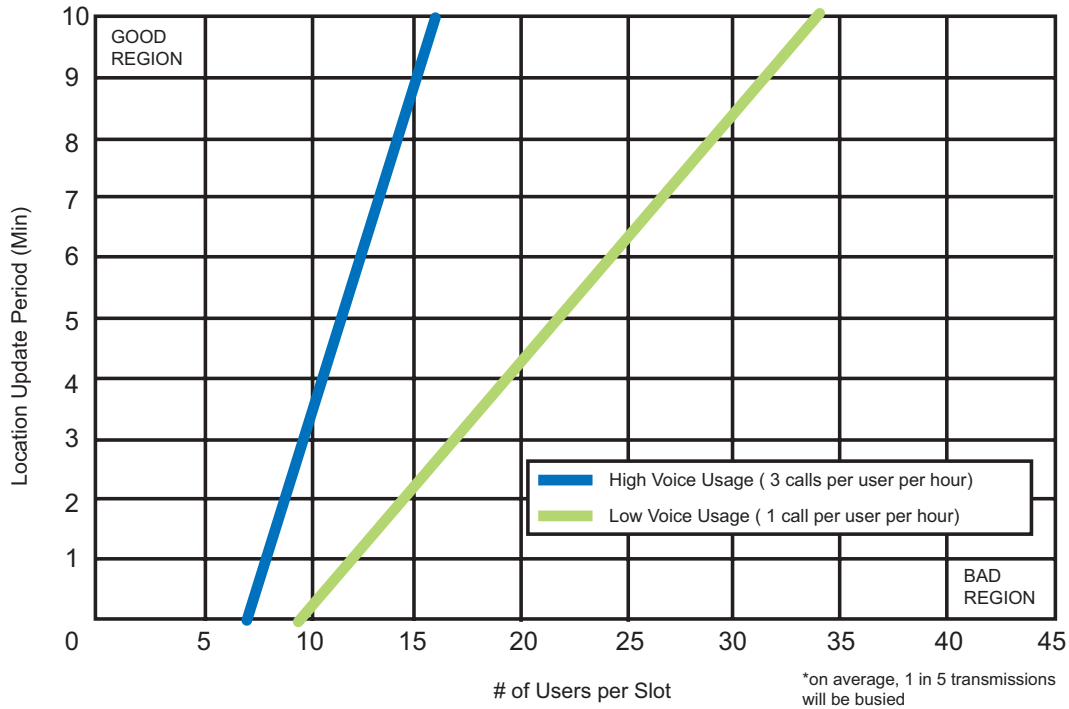


Figure 4-5 Number of Users versus Location Update Period

The value chosen for the location periodic update rate directly affects scan performance. Most users realize that a radio pauses scanning when transmitting voice, and then resumes scanning once the voice transmission is over. The more voice a user transmits, the less the radio is scanning, which means, its probability of missing traffic increases. This is also true when transmitting data. The more a radio transmits data, the less it is scanning, and therefore the higher the probability of missing traffic. Additionally, if the channel used to transmit the data is busy, it will take longer to deliver the message; therefore the radio's scanning will be further interrupted. This means that the higher the location periodic update rate is for a radio, its scan performance will degrade. This should be kept in mind when using scan with a high cadence location period update. It is recommended that radios be configured to use a 10 minute update, and that scanning radios should NEVER use a value lower than 2 minutes.

4.4.6.3 Data Application Retry Attempts and Intervals

The interval a data application will retry to send a message and the number of retries it will send if the target does not respond is configurable in the external data applications like Location and Text Messaging. The following table shows the default values provided:

External Data Application	Number of Retries	Interval Time Period between Retries
Text Messaging	2	70 seconds
Location Application	3	30 seconds

It is recommended to not change the default values. If this value is lowered too low, messages may become unreliable when a user is on the system, but will free up some bandwidth if the user is not available. Increasing too high until it is past the default will increase the load on a channel although it may increase the probability of delivering a message.

4.4.6.4 Optimize Data Application Outbound Message Rate

Text Message and Location Applications both have the ability to set the outbound message rate. The outbound message rate is defined as the interval in-between subsequent messages sent by the applications to its connected control stations. It is important to note that the Application Server is connected to up to four channels, and is not aware of which channel is used to route a message. It is the function of the MCDD to track users, and send messages out the appropriate channel. Therefore, it is reasonable that the outbound message rate setting be increased to a greater value than the default, if there is more than one channel on a system. The default value for the text message server is 14 messages per minute distributed uniformly. The default value for the Location Server is 20 messages per minute, distributed uniformly.

For example, if a system only has one data capable channel, and therefore only one control station, the default value of the Outbound Message Rate paces the messages appropriately to not overload the control station or add excessive load to the channel. If there are more than one channel (2 to 4 channels), and the users are distributed fairly evenly over these channels, the Outbound Message Rate could be increased, since only a portion of the messages will be going to any single channel. It is difficult to predict which channel users will be registered on, and even harder to predict how many messages will be sent to a particular user on a particular channel.

It is recommended that the outbound pacing rates remain as default, though special considerations for GPS Revert are discussed in "GPS Revert and Loading" on page 257. If they are increased, and the target radios are not evenly distributed over multiple channels, one channel may experience excess loading. The MOTOTRBO radio can buffer only up to 10 messages. If there is RF congestion on the system, the radio may encounter a situation where its message transmit buffer becomes full. This is due to the radio queuing up messages, because it cannot find an available slot to transmit data. The radio will not be able to process new messages from the application, once its buffer becomes full.

4.4.6.5 GPS Revert and Loading

The GPS Revert feature supports the transmission of voice, control and non-location update data transmissions on the Selected Channel, while off loading Location updates onto one or more GPS Revert Channels. A primary goal of the feature is to support location updates without degrading features on the Selected Channel. The ultimate performance of the system will depend upon at least two loading factors (1 and 2), while a third loading factor (3) needs to be considered if most radios are powered on in a relatively short period of time. These factors are listed below.

1. The average number of transmissions on the Selected Channel (Voice, Text Messaging, etc.).
2. The average number of transmissions on a GPS Revert Channel.
3. The peak number of transmissions on the Selected Channel to account for registration and periodic re-registration messaging.

The chart in Figure 4-6 illustrates the Good to Fair user experience area, similar to that in Figure 4-1, for voice traffic loading on the selected channel and GPS traffic loading on one or more GPS Revert Channels. Note that this only accounts for loading the first and second factors and assumes registration messaging is evenly spread throughout the day.

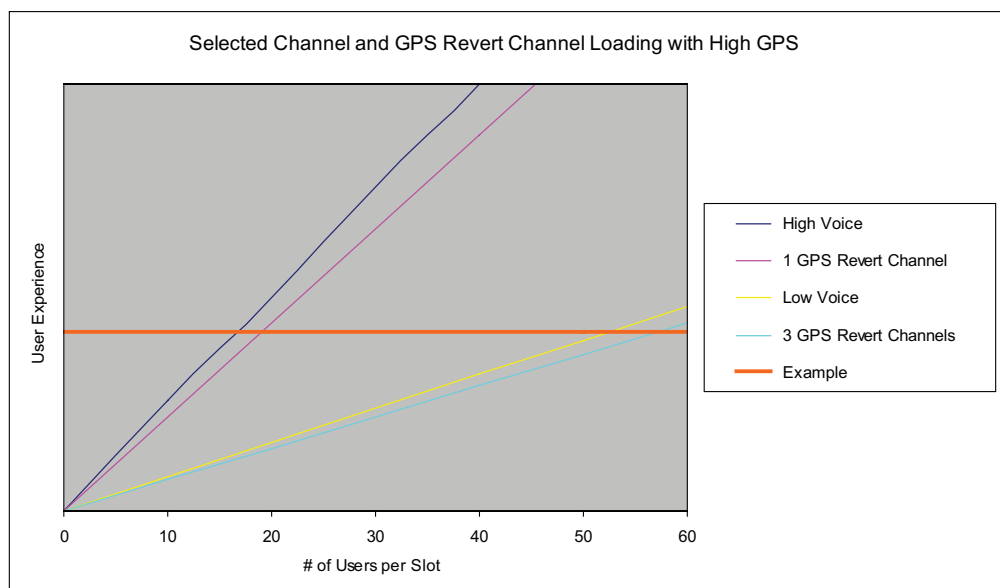


Figure 4-6 Channel Loading with GPS Revert Channels

It can be seen in Figure 4-6 that the High Voice Selected Channel User Experience and the single GPS Revert Channel User Experience are fairly similar in terms of user experience versus number of users on a slot. In this example, for the desired User Experience (identified on the above chart as the red horizontal example line), the Selected Channel supports about 16 radios at a High Voice profile and the single GPS Revert Channel supports about 18 radios at a high GPS profile. For the High Voice profile, which is defined in "Voice and Data Traffic Profile" on page 247, 16 users would equate to a little less than 2 transmissions per minute. For a high GPS profile, which is also defined in "Voice and Data Traffic Profile" on page 247, 18 users would equate to 18 transmissions per minute.

It can also be seen in Figure 4-6 that the Low Voice Selected Channel User Experience and the three GPS Revert Channel User Experience are fairly similar in terms of user experience versus

number of users on a slot. In this example, for the desired User Experience, the Selected Channel supports about 51 radios at a Low Voice profile and the three GPS Revert Channels support about 57 radios at a high GPS profile. For the Low Voice profile, which is defined in "Voice and Data Traffic Profile" on page 247, 51 users would equate to a little less than 2 transmissions per minute. For a high GPS profile, which is also defined in "Voice and Data Traffic Profile" on page 247, 57 users would equate to 57 transmissions per minute, distributed over three channels.

In the previous examples, it can be seen that the voice rate and the GPS rate cannot always be considered as independent when designing a system. Though three GPS Revert Channels are able to support 57 high GPS profile users, the Selected Channel is unable to support 57 High Voice profile users. Therefore, when designing a system, both the Selected Channel loading and the GPS Revert Channel(s) loading must be thoroughly considered.

The table below provides guidance for determining the maximum number of radios supported on various numbers of GPS Revert Channels with one minute and two minutes update rates. It is important to note that maximum loading will essentially keep a repeater keyed up at all times. Update rates of less than one minute are not recommended in order to minimize the impact on the Selected Channel features (voice, control and/or data). Care must also be taken to analyze if the Selected Channel can accommodate the anticipated voice traffic for a large number of subscribers.

	1 GPS Revert Channel	2 GPS Revert Channels	3 GPS Revert Channels
Radios supported at 1 minute update rate	20	40	60
Radios supported at 2 minute update rate	40	80	120

Though GPS Revert Channels can significantly increase the number of radios providing location updates, it is important to remember that when powered up, a radio needs to register with both Presence and Location Applications before it can send location updates. If a large number of radios happen to be powered up in a relatively short period of time, the Selected Channel may become overwhelmed with registration traffic and the system's voice handling capacity will be impacted. Therefore, if this situation must occur, the following should be kept in mind.

- Keep voice traffic on the Selected Channel to a minimum. This causes the registration messages to be queued in the radio and the control station.
- As a rule of thumb, expect about three successful registrations per minute. Therefore, a fleet of 60 radios could require 20 minutes to successfully register. In order to minimize registration traffic, the radios can be gradually powered on at a rate of three per minute during the estimated time frame.

Generally, a GPS Revert Channel can support more radios when a lower GPS update rate (i.e., larger update period) is being used. On the contrary, the channel supports fewer radios if a higher update rate (i.e., smaller update period) is being used. The following chart illustrates the relationship between the location update period and number of radios assigned to a particular GPS Revert Channel.

Example 1: No more than 20 radios should be assigned to a particular GPS Revert Channel, if an update period of 60 seconds (i.e., 60 updates per hour) is desired.

Example 2: If 120 radios are assigned to use a GPS Revert Channel, the minimum recommended update period is 360 seconds (i.e., 10 updates per hour).

Hence, some flexibility is provided as to whether a **large number of radios with a slow update rate**, or a **small number of radios with a fast update rate** is used on a GPS Revert Channel. Alternatively, depending on whether having a large number of radios assigned to a GPS Revert Channel or having a fast update rate is more desirable for a particular system, the system can be provisioned to accommodate either scenario.

A higher GPS update rate can impact the service (voice, control and/or data) presented on the channel selected by the radio user because the radio spends a longer time transmitting its GPS location on the GPS Revert Channel. The recommended rate is to not exceed 60 GPS updates per hour per radio (i.e., 60-second GPS update period).

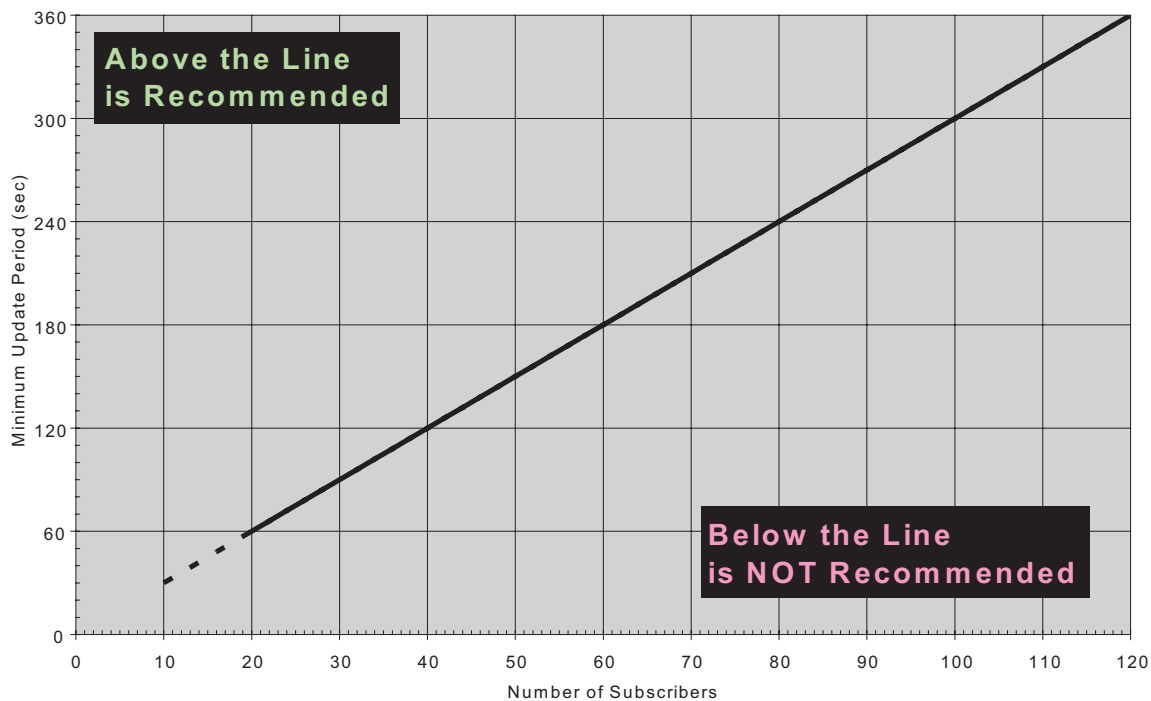


Figure 4-7 Minimum Location Update Period versus Number of Subscribers

4.4.6.6 Enhanced GPS Revert – Loading & Reliability

This section is applicable to all three configurations of MOTOTRBO – IP Site Connect, Capacity Plus, and Linked Capacity Plus.

The number of subscribers supported on an Enhanced GPS slot is a function of the window size, (derived from the size of the location data), and the update rate. Additionally, the success rate of the location updates is also a function of the call duration on the selected/primary channel and the repeater loading. The following figures illustrates the relationship between these variables.

The curves in Figure 4-8 illustrate the average location update success rate against the number of subscribers for a 1-minute update rate per subscriber, a 10-second call for the talkgroup per minute and 75% repeater loading¹. If there are no talkgroup calls, the subscribers would update 100% of the time as long as the number of subscribers are less than or equal to the maximum number of allocated reserved windows. (The maximum allocated reserved windows is the repeater loading.)

However, voice calls keeps a subscriber from sending location updates on its reserved slot. Hence the subscriber makes a request to send in the data on the unreserved windows after the call. Therefore in Figure 4-8, it is noticeable that larger talkgroups (more subscribers) decreases the average success rate. This is because there are not enough unreserved windows to support all the missed reserved data transmissions.

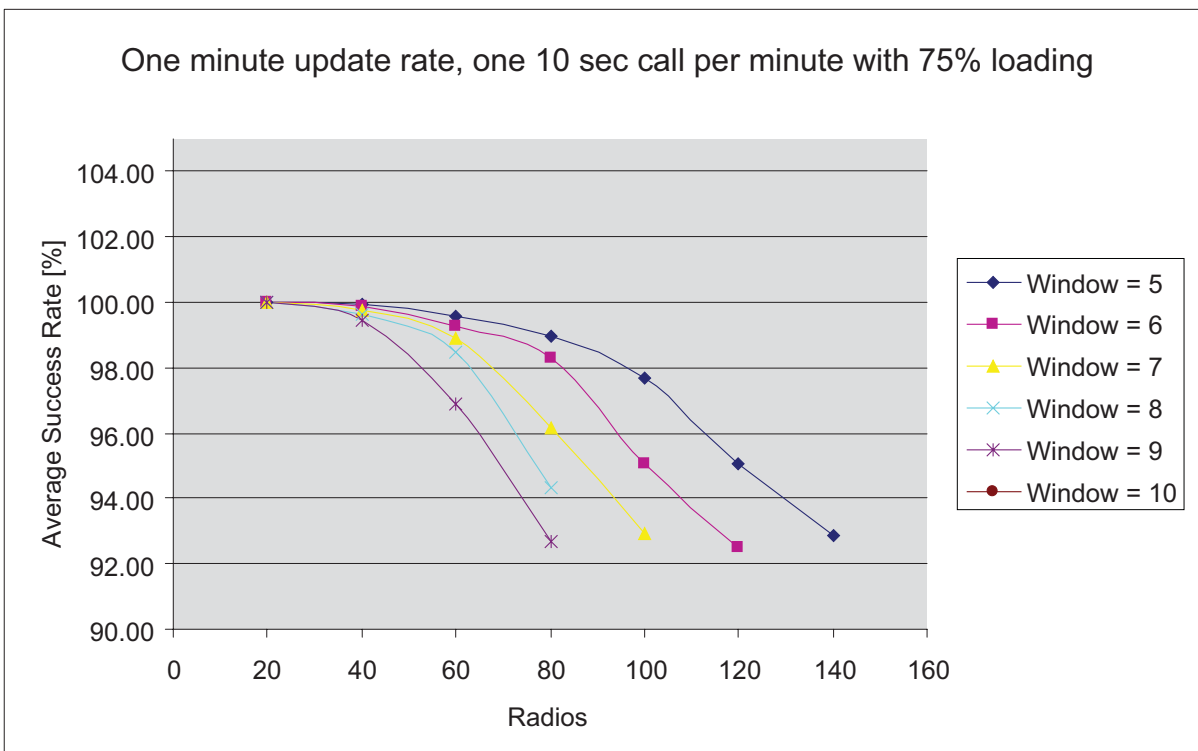


Figure 4-8 One Minute Update Rate with a 10-second Call per Minute at 75% Loading

1. Loading here refers to percentage of periodic window reservation.

In Figure 4-9, the update rate is increased to 4 minutes. A quick evaluation of the situation might cause the assumption that increasing the update rate by 4 times would lead to the same average success rate with 4 times as many subscribers. However, the success rate is much higher than expected for 4 times the number of subscribers. Such an improvement is triggered because the number of subscribers that miss their reserved window at any one time is decreased. This leads to an overall increase in success rate.

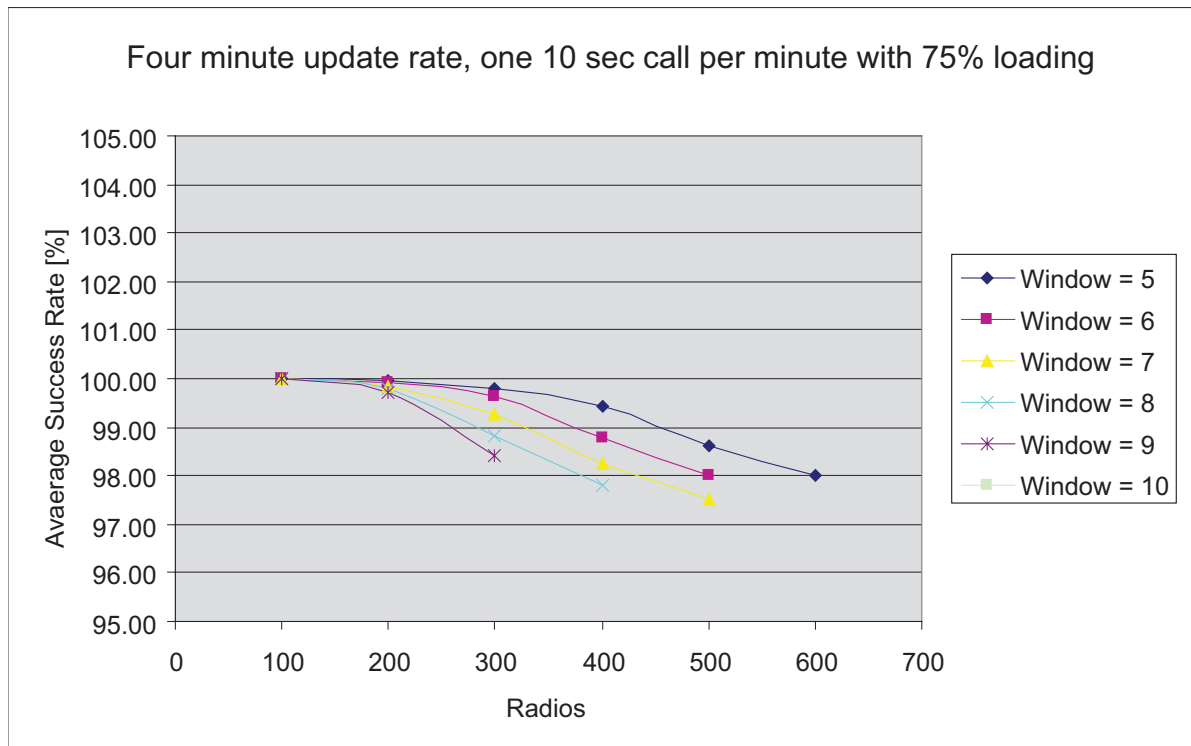


Figure 4-9 Four Minute Update Rate with a 10-second Call per Minute at 75% Loading

The curves in Figure 4-10 illustrates the average location update success rate against the number of subscribers for a 1-minute update rate per subscriber, a 20-second call for the talkgroup per minute and 75% repeater loading. In this situation, the call duration is very long (an update rate of 0.3) and many subscribers miss their assigned update window. As the number of subscribers approaches the maximum number of reserved windows, a large number of retries will be unsuccessful and the average success rate drops.

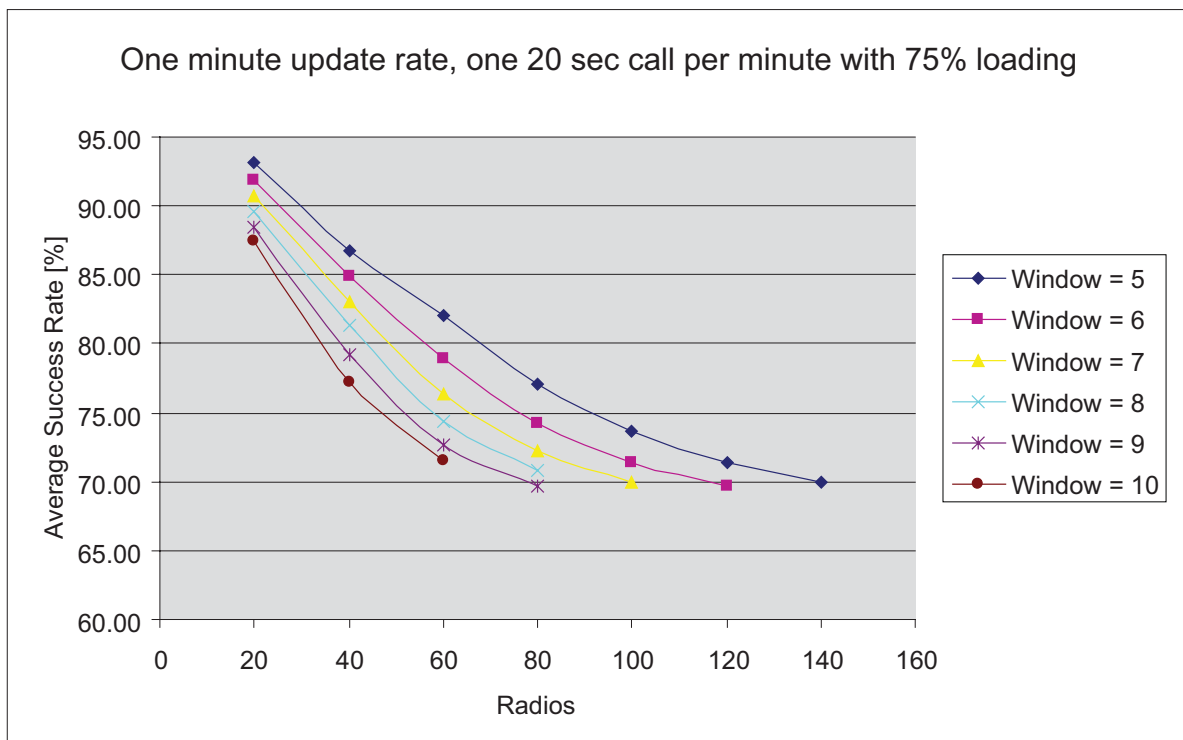


Figure 4-10 One Minute Update Rate with a 20-second Call per Minute at 75% Loading

In Figure 4-11, the repeater loading is decreased to 45%. A comparison to Figure 4-10 shows that the average success rate improves dramatically because now there is a large number of unreserved slots to accommodate subscribers that miss their reserved window. Note that the 75% loading case carry more updates than the 45% loading case, hence the success rate has improved.

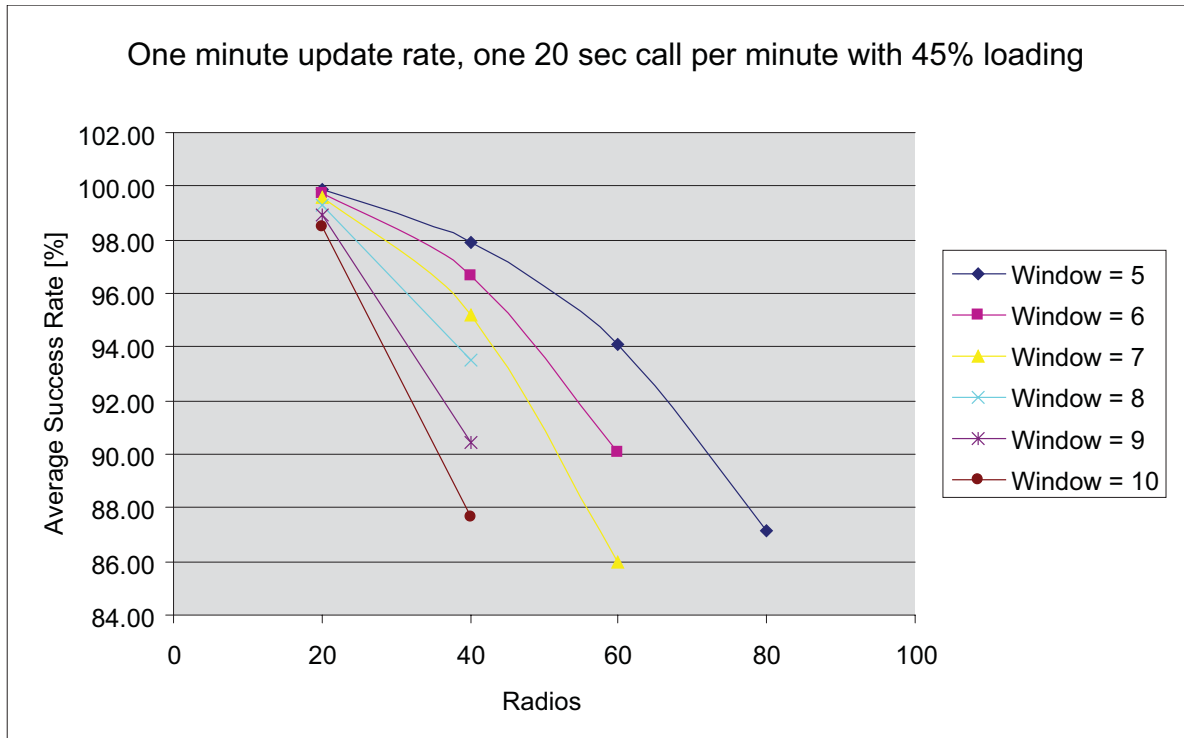


Figure 4-11 One Minute Update Rate with a 20-second Call per Minute at 45% Loading

4.4.7 Loading Optimization (For Capacity Plus and Linked Capacity Plus)

4.4.7.1 Preference for Using a Frequency

The Capacity Plus and Linked Capacity Plus systems are designed to operate efficiently in a shared channel environment. The term “shared channel environment” is typically used when more than one system uses the same frequency for communication within the same coverage area. For system owners having licenses for shared use of frequencies, it is recommended to set a preference level for the use of a frequency. A repeater whose frequencies have lower interference from other system(s) should be given higher preference level over the repeater whose frequencies have higher interference. Repeaters with the same amount of interference should have the same preference level. For trunking operation, a Capacity Plus/Linked Capacity Plus system always prefers to use a repeater of a higher preference level over a repeater of lower preference level.

For system owners having a mix of shared frequency channel licenses and exclusive frequency licenses, the repeaters with exclusive frequency licenses should have a higher preference level than the repeaters with shared frequency licenses.

4.4.7.2 Improving Channel Capacity by Adjusting Hang Times

MOTOTRBO supports message trunking by keeping a channel reserved for the duration of hang time after a transmitting radio has unkeyed the microphone. During the hang time, only the members of the ongoing call can start a transmission. The advantage of the message trunking is that it provides guaranteed access to the channel for the duration of a call. The disadvantage of the message trunking is that the channel remains unused during the hang times. To improve channel utilization, a customer may choose to reduce the call hang time in the repeater. Experienced radio users respond quickly and therefore require a shorter hang time.

Capacity Plus/Linked Capacity Plus allows a customer to program a near zero call hang time in repeaters. By programming a zero call hang time, MOTOTRBO acts as if the channel is allocated for only one transmission and in this case, MOTOTRBO supports Transmission Trunking.

However, there are some trade-offs in reducing call hang time. The channel will no longer be reserved for a group in the system. Thus, every time a group member of the same call presses PTT to initiate a call, the call will land on a different frequency channel. In some cases, some of the Group Call participants may switch to other high-priority Group Calls. While in other cases, the system may become busy with other calls and no channels are available to initiate the call.

Customers may choose to reduce call hang time from the default value rather than setting it to zero based upon channel usage. If there are more members in a group, and if members of the group are replying instantly to the Group Call, then lowering call hang time from the default value may improve overall call throughput. However, if the group members are not replying instantly to the communication and the channel still needs to be reserved, then call hang time should be increased. Call throughput reduces by increasing call hang time and vice versa.

Since all repeaters in the system needs to exhibit the same behavior, it is recommended that the same call hang time is programmed in all trunked repeaters.

4.4.7.3 Call Priority

A radio joins its most preferred call in the following conditions:

- The call that the radio was participating in, ends,
- A radio powers on, or returns from a fade when all Trunked Channels are not busy.

The preference list for a radio (in decreasing order) is an Emergency Call of interest, All Call, the radio's transmit group, and the radio's receive group list. The preference of groups in a radio's receive group list are displayed in decreasing order.

A radio enforces the call priority only when it enters a call. Upon joining the call, the radio searches for only All Calls and Emergency Calls whereby the emergency group is in either the transmit group, or the receive group list.

4.4.7.4 Call Initiation

In Capacity Plus/Linked Capacity Plus modes, while a radio is listening to a Group Call, a radio user can initiate a non data call (e.g. using the menu). The radio moves to the Rest Channel and starts the requested call if there is an idle channel. If all channels are busy, the radio informs the user (by generating a busy signal) that the call cannot be initiated and the radio stays on the traffic channel.

4.5 Multiple Digital Repeaters in Standalone Mode

Multiple repeaters may be required to provide sufficient RF coverage. Large geographical regions and areas with large natural boundaries (i.e. mountains) are two examples. Also, regions with a large number of subscribers may need additional repeaters to relieve RF congestion.

The digital mode of operation of the MOTOTRBO repeater provides new capabilities to resolve common problems associated with deploying multiple repeaters in a system. The techniques described in the sections below can also be used to resolve problems associated with interfering RF signals from adjacent radio systems.

4.5.1 Overlapping Coverage Area

As with analog radio systems, when digital radio systems are separated by frequency or distance there are no negative interactions between the systems which need to be addressed. Figure 4-12 shows two systems which operate on a common set of frequencies but are physically separated so that there are no interactions between the systems.

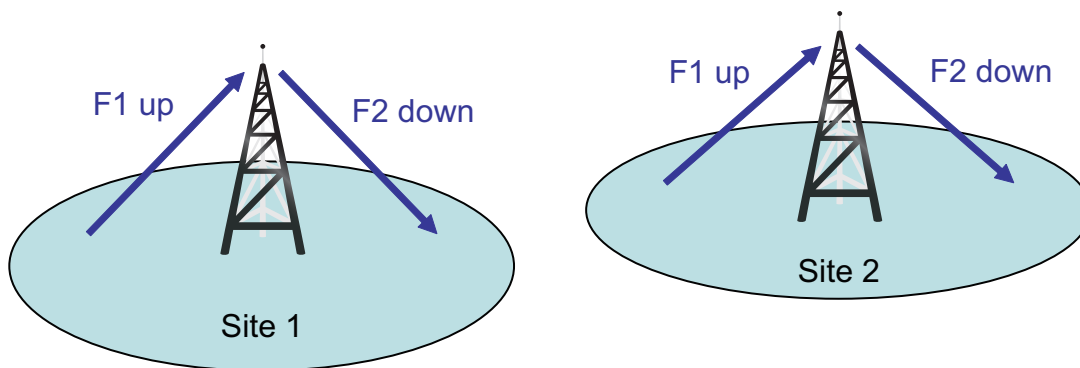


Figure 4-12 Multiple Repeaters

Similarly, Figure 4-13 shows two systems which overlap in space but operate on a difference set of frequencies so that there are no negative interactions.

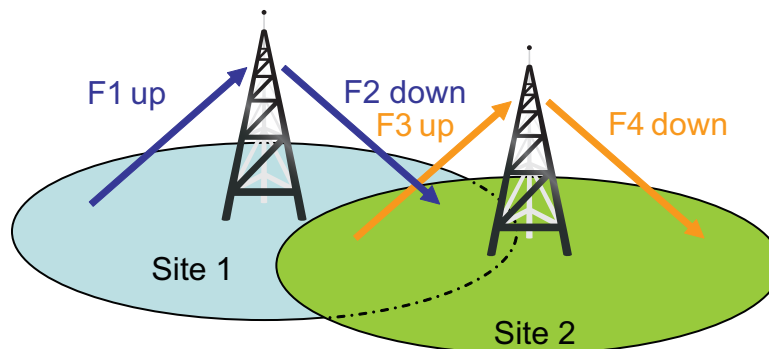


Figure 4-13 Multiple Repeaters with Overlap

Issues arise, however, when repeaters operate on common frequencies and have overlapping regions. Figure 4-14 shows that when a radio transmits in a region of overlap, repeaters from both systems retransmit the received signal. Analog radio systems often use PL/DPL to resolve these types of problems. With the MOTOTRBO repeaters operating in digital mode, this issue can be resolved by assigning a unique color code to each repeater and programming the associated radios, using CPS, with the matching color code.

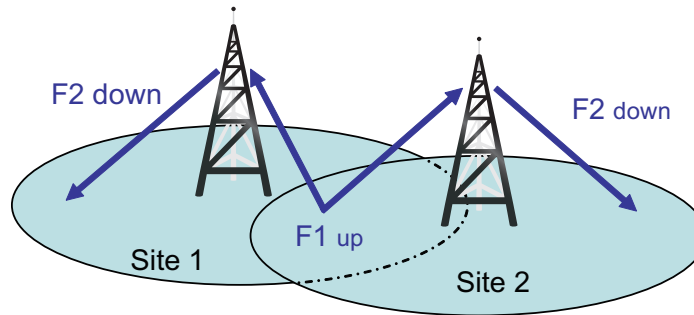


Figure 4-14 Multiple Repeaters with Overlap and Common Frequencies

4.5.2 Color Codes in a Digital System

Color codes (or “CC” in the images) are defined by the Digital Mobile Radio (DMR) standard and can be used to separate two or more MOTOTRBO digital radio systems which operate on common frequencies. Figure 4-15 shows two MOTOTRBO radio systems which operate on common frequencies but have uniquely defined color codes.

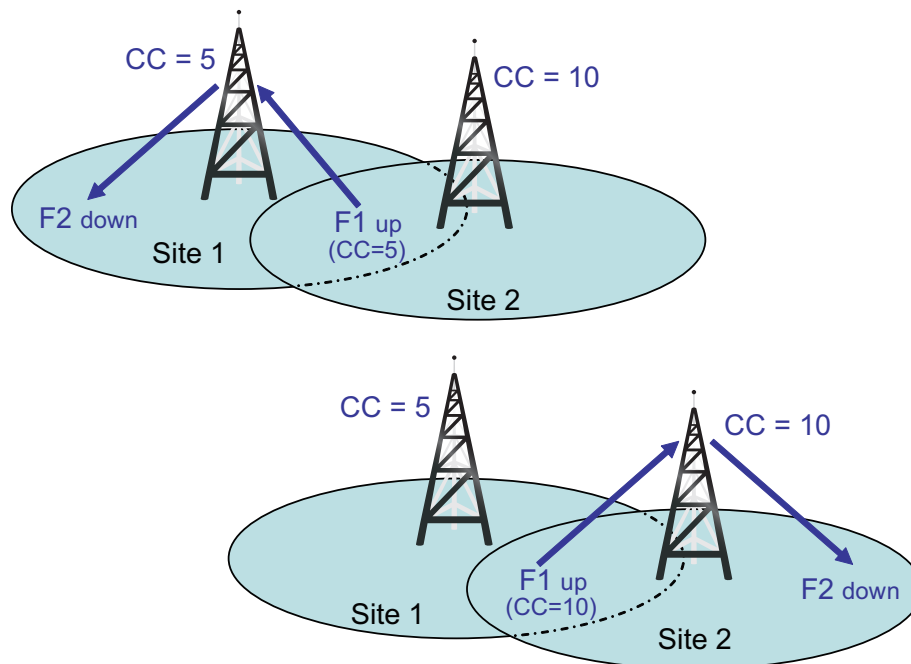


Figure 4-15 Multiple Digital Repeaters with Unique Color Codes

Color codes are assigned as channel attributes on the radios, allowing a single radio to communicate with multiple sites each having a uniquely defined color code.

4.5.3 Additional Considerations for Color Codes

The total number of available color codes per frequency is 16. From a radio user's perspective the color code is similar in nature to a Group ID. However, it should not be used for this purpose. Just as Groups are intended to separate users into groups, the color code is intended to uniquely identify systems or channels which operate on common frequencies.

Multiple repeaters operating on common frequencies with large areas of overlap, as shown in Figure 4-16, could be configured with unique color codes. This would allow both repeaters to operate with some degree of independence. However, the radio users should expect to see an increase in "Channel Busy" indications since transmissions from both repeaters will be detected by users of both systems. In other words, the RF congestion for this region would be the sum of transmissions from both repeaters. It should be noted that under all circumstances the users with the correct corresponding color codes receive only the transmission intended for them.

When two sites with the same frequency but different color codes overlap, it is important to set the subscriber's Admit Criteria appropriately. It is recommended that the subscribers are provisioned with Admit Criteria set to *Channel Free* to ensure subscriber's from a Site is polite when another on the overlapping Site is transmitting, and also polite to any other analog transmission on the frequency. If configured to *Color Code Free*, the subscribers are only polite to their own color code, and will wake up their repeater even if the other repeater is currently transmitting. When there is a large overlap between adjacent sites, this usually causes major interference and results in both repeater signals being unusable in the overlapping areas. When configured to *Always*, the subscribers are never polite, even to their own color code. Again, this results in both repeaters being awake and transmitting at the same time which causes interference in areas of overlap.

If this configuration is necessary, it is recommended to minimize the areas of overlap as much as possible and to use an Admit Criteria of *Color Code Free*. Remember that these two repeaters will be sharing bandwidth and should be loaded appropriately.

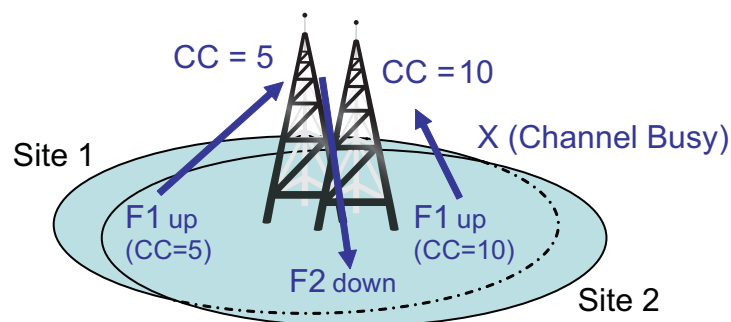


Figure 4-16 Color Code with Site Congestion

4.6 Multiple Digital Repeaters in IP Site Connect Mode

The main problem with the standalone configuration of multiple digital repeaters is that a radio at a site can participate only in the calls that originate at that site. The IP Site Connect configuration removes this restriction and allows a radio to participate in a call originating at any site. In IP Site Connect configuration, repeaters communicate among themselves using a backend wire line network. A call originating at a repeater is transmitted by all the repeaters in the IP Site Connect system. Since all repeaters participate in a call, it is necessary that all the repeaters have the same call related parameters (e.g. Call Hang Times, System Inactivity Time, Time Out Time).

4.6.1 System Capacity

In IP Site Connect configuration, MOTOTRBO supports a maximum of 15 IP Site Connect devices, where IP Site Connect devices include a maximum of five host PCs of RDAC-IP applications, disabled repeaters, enabled repeaters in analog mode, and enabled repeaters in digital mode (both slots in wide area mode, one slot in wide area mode and one in local mode, and both slots in local mode).

A channel in IP Site Connect configuration supports the same number of radios supported by a single site configuration. Note that an IP Site Connect configuration increases the coverage area and not the call capacity of a single site configuration.

4.6.2 Frequencies and Color Code Considerations

The figure below shows an example of two IP Site Connect systems with overlapping coverage areas. The frequencies and color code of repeaters should follow the following rules:

- The geographically adjacent repeaters of an IP Site Connect system should use different frequencies. Their color code can be either same or different.
- If the frequencies of the geographically adjacent repeaters of two IP Site Connect systems are the same, then their color codes should be different. It is not advisable to keep the same frequencies because in areas of overlap, there will be destructive interference. Note that an IP Site Connect configuration does not support simulcast.
- If the frequencies of non-adjacent repeaters of an IP Site Connect system are the same, then their color codes should be different. It is not advisable to keep the same frequencies and color code because a roaming radio is not able to distinguish between them, and may use the wrong GPS Revert Channels or emergency system.
- A system may be sharing the channels with other systems over multiple sites. It is possible that two systems (named here as Sys1 and Sys2) may be using the same (frequencies, color code) pair at two different sites (say, Site1 and Site2). During automatic site search (Passive Site Search), a Sys1's radio at Site2 will find Sys2's repeater and will stay on that channel. This is not a desirable situation. A way to avoid

this situation is to ensure that all the (frequencies, color code) pairs of all the overlapping systems are unique.

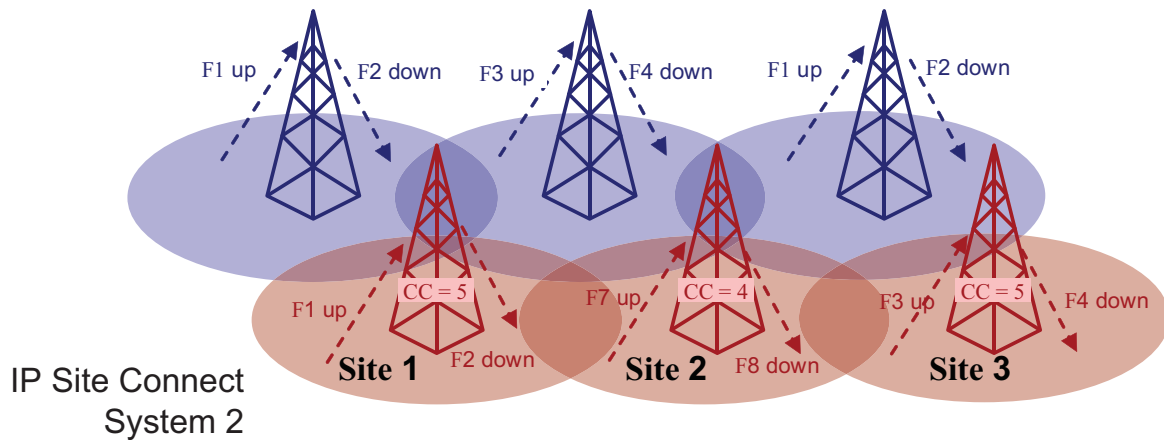


Figure 4-17 Example of Two IP Site Connect Systems with Overlapping Coverage Areas

4.6.3 Considerations for the Backend Network

The backend network can be a dedicated network or an internet provided by an Internet Service Provider (ISP). ISPs provide a range of technologies such as dial-up, DSL (typically ADSL), Cable modem, Broadband wireless access, Canopy, ISDN, Frame Relay, Satellite Internet access, etc. In some cases dedicated links or networks can be effectively used or deployed, removing the monthly fees associated with public networks. The backend network cannot be based on dial-up connection (due to small bandwidth) or Satellite Internet access (due to large delay).

A repeater has three network interfaces: Ethernet, USB, and over-the-air. A repeater uses its Ethernet port to communicate among them using IPv4/UDP. Since UDP does not support confirmation, an IP Site Connect system provides its own acknowledgement and retries mechanism for critical activities. Note that the Ethernet port is not a default IP gateway of a repeater, i.e. an IP datagram arrived from USB or over-the-air is not automatically routed to the Ethernet port.

It is not necessary to get a static IPv4 addresses for IP Site Connect devices (except for the Master). The IPv4 address of an IP Site Connect device can be dynamic. In this case, the IPv4 address is allocated by a DHCP server. The dynamic nature of the IPv4 address implies that the address may change every time it powers-on or even periodically (every few hours) while the IP Site Connect device is on. The dynamic address of a repeater is selected by selecting the *DHCP* option in the repeater CPS. It is recommended that the lease time of the IPv4 address from the DHCP should be kept as long as possible. Note that a change in the IPv4 address of an IP Site Connect device causes short disruption of service for the device. For static IPv4 address, the *DHCP* option should not be selected and the CPS user should provide the static IPv4 address, and the gateway's IPv4 address and netmask.

An IP Site Connect configuration uses a procedure called "Link Management" to keep an IP Site Connect device aware of the presence, the current IPv4 addresses, and UDP ports of other IP Site Connect devices. The Link Management requires only one of the repeaters (called an Master) to act as a broker of IPv4/UDP addresses. The Master gets a static IPv4 address from its ISP and the Master's IPv4/UDP address is configured into all the IP Site Connect devices.

The Master's IPv4/UDP address refers to its address as seen from the backend network. Note that a firewall/NAT may translate the address in customer network into another address in the backend network.

An IP Site Connect device registers its IPv4/UDP address during power-on and upon a change in its IPv4/UDP address with the Master. The Master notifies to all the IP Site Connect devices whenever the IPv4 address of an IP Site Connect device changes. An IP Site Connect device maintains a table of the latest IPv4 addresses of other IP Site Connect devices and it uses the table to send an IPv4/UDP message to another IP Site Connect device.

The IP Site Connect devices may be behind firewalls. For successful communication between two IP Site Connect devices (say R1 and R2), the firewall of R1 must be open for messages from R2 and vice versa. Since the IPv4/UDP address of an IP Site Connect device is dynamic, it is not possible to manually configure the firewalls. The Link Management procedure overcomes this problem by periodically, for example, setting the *Keep FW Open Time* to every 6 seconds, sending a dummy message from R1 to R2 and vice versa. On a receipt of an outbound message (say, from R1 to R2), the R1's firewall keeps itself open for a short duration of approximately 20 seconds for an inbound message from R2. An IP Site Connect device (say, R1) sends the dummy message to another IP Site Connect device (say, R2) only if R1 has not sent any message to R2 in last *Keep FW Open Time*. The value of *Keep FW Open Time* is customer-programmable and should be kept less than the duration for which the firewall remains open for inbound messages. Exchange of dummy messages between two IP Site Connect devices also acts as a "Keep Alive" messages. They are required, even if there is no firewall or the firewall is configured to keep itself open for any message transmitted to the IP Site Connect device.

4.6.3.1 Automatic Reconfiguration

An IP Site Connect system automatically discovers the presence of a new IP Site Connect device. The new IP Site Connect device is configured with the IPv4/UDP address of the Master. On power-on, the new IP Site Connect device informs its IPv4/UDP address to the Master and the Master informs all the other IP Site Connect devices about the presence of a new IP Site Connect device. This allows adding an IP Site Connect device to a live IP Site Connect system. This simplifies the installation/addition of an IP Site Connect device as there is no need to take the system down and configure other IP Site Connect devices with the IPv4/UDP address of the new IP Site Connect device.

The periodic link management messages between an IP Site Connect device and the Master also act as "keep alive" messages. In absence of messages from an IP Site Connect device for one minute, the Master concludes that either the IP Site Connect device has failed or the network in-between and the Master informs all the other IP Site Connect devices about the absence of the IP Site Connect device. An IP Site Connect device also maintains periodic link management messages with every other IP Site Connect device. In absence of messages from another IP Site Connect device for one minute, the IP Site Connect device concludes that either the other IP Site Connect device has failed or the failure is within the network in between. Thus, the link management messages allow an IP Site Connect system to reconfigure itself on failure of one or more IP Site Connect devices and the system continues to provide services with the available IP Site Connect devices. In case of network failure, it is possible that an IP Site Connect system becomes multiple IP Site Connect systems, where each system has a subset of original set of IP Site Connect devices. All the new systems continue to provide the services that are possible with their subset of IP Site Connect devices. Note that there will be only one system that has the Master. When the backend network recovers, the multiple systems automatically become one system. When an IP Site Connect system has only one repeater, then both the slots of the repeater repeat only locally (i.e. over-the-air) as per the MOTOTRBO Single Site specifications.

A repeater operates in multiple modes such as disabled, locked, knocked down, enabled and analog, enabled and digital with voice/data or control services, and single or multiple site operation for each slot. The repeater informs the Master whenever its mode of operation changes and the Master informs to all the other IP Site Connect devices. This allows the IP Site Connect system to adapt its operation when the mode changes. Note that only an enabled and digital repeaters (with a channel enabled for multiple site operation) participate in voice/data/control communication across multiple sites.

A disadvantage of link Management is that the Master becomes a single point of failure. But the consequence of failure of the Master is limited. The IP Site Connect system continues to function except that it is not possible to add an IP Site Connect device into the system. If an IP Site Connect device powers on, while the Master is in failed state, then it will not be able to join the IP Site Connect system. On failure of the Master, it is possible to switch a redundant IP Site Connect device to act as an Master. The static IPv4 address and the UDP port number of the redundant IP Site Connect device should be same as that of the failed Master; otherwise all the IP Site Connect devices will require to be reconfigured with the IPv4 address and the UDP port number of the new Master.

4.6.3.2 Characteristics of Backend Network

To create a proper backend network design, it is important to know its characteristics. This section explains four issues dealt within the backend network.

4.6.3.2.1 Delay/Latency

Backend network delay or latency is characterized as the amount of time it takes for voice to leave the source repeater and reach the destination repeater. Three types of delay are inherent in the backend networks:

- propagation delay
- serialization delay
- handling delay

Propagation delay is caused by the distance a signal must travel via light in fiber or as electrical impulses in copper-based networks. A fiber network stretching halfway around the world (13, 000 miles) induces a one-way delay of about 70 milliseconds.

Serialization delay is the amount of time it takes the source repeater to actually place a packet byte by byte onto the backend network interface. Generally, the effect of serialization delay on total delay is relatively minimal but since IP Site Connect system sends a voice packet one-by-one to all the repeaters, the serialization delay for the last destination repeater is (# of repeaters - 1) times the serialization delay for the first destination repeater.

Handling delay defines many different types of delay caused by the devices (e.g. secure routers) that forward the packet through the backend network. A significant component of the handling delay is the queuing delay, which occurs when more packets are sent out to a network device than the device can handle at a given interval.

The CPS allows setting the Total Delay (i.e. sum of propagation delay, serialization delay, and handling delay) to be *High* (90 ms) or *Normal* (60 ms) in both the repeaters and the radios. Note that radios also support higher value (500 ms) of total delay, which should not be used in case of IP Site Connect system. The default is *Normal*. This is used to derive values for other parameters

such as Arbitration Interval and Call Hang Times in repeaters and Ack Wait times in radios. For proper functioning of an IP Site Connect system, all the repeaters and radios should have the same delay setting.

It is recommended that propagation and handling delays between repeaters should be measured (e.g. by "pinging") between all pairs of repeaters.

The total delay is equal to the maximum of the measured values + (# of repeaters - 1) * (1/2 + 1000/BW in Kbps) ms, where the BW is the available bandwidth of the backend network.

If the total delay is less than 60 ms then the setting should be *Normal*. If the total delay is more than 60 ms but less than 90 ms then the setting should be *High*. The IP Site Connect system will not work satisfactorily, with occasional failure of arbitration, hang time and data link layer acknowledgements, for a backend network having total delay of more than 90ms. The disadvantage of the setting at 90ms is that there is an increase to audio throughput delay.

4.6.3.2.2 Jitter

Jitter is the variation of packet inter-arrival time. The source repeater is expected to transmit voice packets at a regular interval (i.e. every 60 ms for one channel). These voice packets can be delayed throughout the backend network and may not arrive at that same regular interval at the destination repeater. The difference between when the packet is expected and when it is actually received is called Jitter. To overcome the effect of jitter, the IP Site Connect system employ a Jitter Buffer of fixed 60 milliseconds. If a packet does not arrive at a destination repeater within the 60 ms after the expected time then the repeater assumes the packet is lost, replays a special erasure packet, and discards the late arriving packet. Because a packet loss affects only 60 ms of speech, the average listener does not notice the difference in voice quality. Thus, a jitter of more than 60 ms degrades the audio quality.

4.6.3.2.3 Packet Loss

Packet loss in IP-based networks is both common and expected. To transport voice bursts in timely manner, IP Site Connect system cannot use reliable transport mechanisms (i.e. confirmed packets) and therefore while designing and selecting the backend network it is necessary to keep packet loss to a minimum. The IP Site Connect system responds to periodic packet loss by replaying either a special packet (in the case of voice) or the last received packet (in the case of data). In the case of voice, the ongoing call ends if six consecutive packets do not arrive within 60 ms of their expected arrival time. In the case of data, the repeater waits for the expected number of packets (as per the data header) before ending the call.

4.6.3.2.4 Network Bandwidth Considerations

Bandwidth is the amount of data transferred to and from a network device, often referred to as the bit rate. Bandwidth is measured in bits per second or kilo-bits per second (kbps). When designing an IP Site Connect system, it is important to understand the needs of each IP Site Connect device so that the appropriately rated network connection for each site can be chosen.

If a customer has high speed network connections between sites, these calculations may not be as important, but if they are working on lower speed public Internet Service Providers (ISPs) it is good practice to understand these values and plan accordingly. If the minimum amount of bandwidth is not available, the end user may experience audio holes or even dropped calls. Radio to Radio Data messaging or RDAC commands may not be successful on the first attempt, or may be dropped all together. In general, the quality of service may suffer if substantial bandwidth is not available.

Note that for most Internet Service Providers, the uplink bandwidth is the limiting factor. The downlink bandwidth is usually multiple factors above the uplink bandwidth. Therefore, if the uplink requirements are met, the downlink requirements are almost always acceptable. Some ISPs may state they provide a particular bandwidth, but it is important to verify the promised bandwidth is available once the system is installed and throughout operation. A sudden decrease in available bandwidth may cause the previously described symptoms.

It is also important to note that if the wide area network connection is utilized by other services (file transfer, multimedia, web browsing, etc.), then the IP Site Connect devices may not have the appropriate bandwidth when required and quality of service may suffer. It is suggested to remove or limit these types of activities. In addition, overusage of the RDAC application itself may cause increased strain on the network during times of High Voice activity. It is recommended that RDAC commands be kept to a minimum unless appropriate bandwidth has been allocated.

4.6.3.2.4.1 Required Bandwidth Calculations

The amount of bandwidth an IP Site Connect device requires is dependent on a variety of factors. The most important factor to understand is that the bandwidth required for one particular device is dependent on how many other devices or peers it has in the IP Site Connect system. Equally important is the type of devices. Recall that an IP Site Connect system can contain repeaters that have two channels operating in wide area, one channel operating in wide area, or no channels operating in wide area, such as local channels only. Channels, or slots, operating in local area mode do not send their voice traffic over the network. Recall that one repeater within the IP Site Connect system acts as the Master. This repeater requires some additional bandwidth. The IP Site Connect system may also contain analog repeaters, disabled repeaters, and RDAC applications. These devices do not send voice over the network, but they do require the bandwidth to support the standard link management and control signaling.

For a quick reference, the graphs below show the required bandwidth for two simple IP Site Connect system configurations. The first shows the required bandwidth for various size systems where every repeater in the system utilizes both channels, or slots, as wide area. The second shows the required bandwidth for various size systems where every repeater in the system utilizes one channel, or slot, as wide area, and the other channel, or slot, as local area. In each system,

one RDAC is present, repeater authentication is enabled, and Secure VPN is not being utilized in the routers.

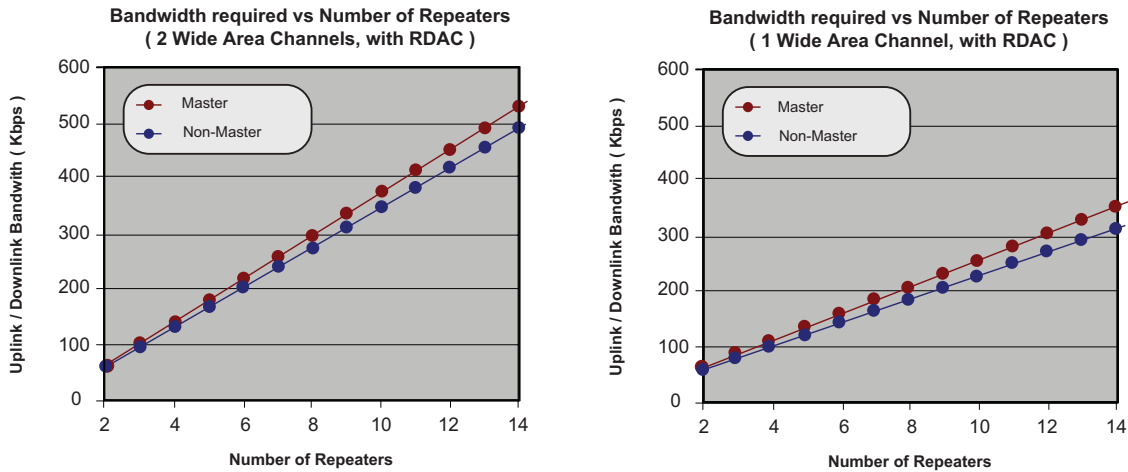


Figure 4-18 Required Bandwidth for Two Simple IP Site Connect System Configurations

Note that although the two examples above may represent typical IP Site Connect configurations, and may provide a quick snapshot of the bandwidth requirements for a particular size system, more complicated configurations will require additional calculations.

The following equation should be used to calculate the bandwidth for each IP Site Connect device in the IP Site Connect system, and then added together at sites where multiple devices reside behind one wide area connection.

- BW_{VC} = 15 kbps = Bandwidth required to support Wide Area Voice or Data (1 slot)
- BW_{LM} = 6 kbps = Bandwidth required to support Link Management
- BW_{IR} = 3 kbps = Bandwidth required to support Master Messaging
- BW_{RD} = 55 kbps = Bandwidth required to support RDAC commands

Number of Wide Area Channel Peers* for Slot 1		x	BW _{VC}	kbps =		kbps
Number of Wide Area Channel Peers* for Slot 2		x	BW _{VC}	kbps =		kbps
Total Number of IP Site Connect Peers*		x	BW _{LM}	kbps =		kbps
If Master, Total Number of IP Site Connect Peers*		x	BW _{IR}	kbps =		kbps
RDAC Traffic					BW _{RD}	kbps
				+		
Required Uplink/Downlink Bandwidth						kbps

* Peer does not include self.

To help demonstrate the use of the above equation on a more complicated IP Site Connect system, take the following example system shown in the diagram below. This system has six total IP Site Connect devices at three sites; five repeaters and one RDAC. Three of the repeaters have both channels configured as wide area, one has a wide area channel and a local channel, and the last repeater has two local channels. The routers are not utilizing Secure VPN.

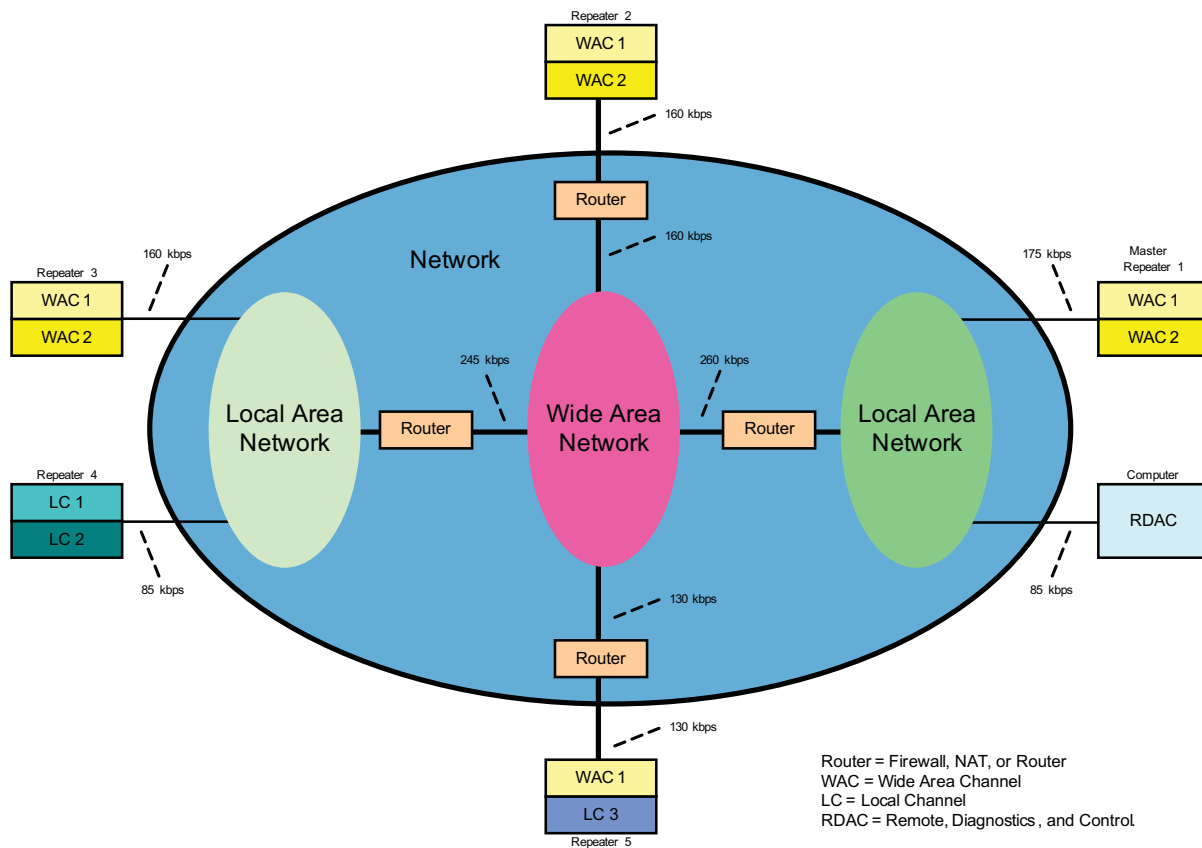


Figure 4-19 Example System for Calculating Bandwidth Requirements without Secure VPN

Let us start with Repeater 1. Repeater 1 is an Master and has two wide area channels. The first wide area channel has three peers and the second wide area channel has two peers. Note that since Repeater 4 and Repeater 5 have local area channels, these are not considered wide area channel peers. It is also important to remember that a peer does not include the device currently being calculated.

Each calculation provides enough bandwidth to support an RDAC command during times of high activity. This assumes that only one RDAC command occurs at a time and is not utilized often. If it is expected that multiple RDAC applications will be performing commands on repeaters often and simultaneously, one might wish to increase the bandwidth to support these types of activities.

The detailed bandwidth calculation for Repeater 1 is as follows:

Number of Wide Area Channel Peers* for Slot 1	3	x	15	kbps =	45	kbps
Number of Wide Area Channel Peers* for Slot 2	2	x	15	kbps =	30	kbps

Total Number of IP Site Connect Peers*	5	x	6	kbps =	30	kbps
If Master, Total Number of IP Site Connect Peers*	5	x	3	kbps =	15	kbps
RDAC Traffic					55	kbps
				+	-	-
Required Uplink/Downlink Bandwidth					175	kbps

* Peer does not include self.

Using the same method for all IP Site Connect devices in the example system yields the following:

	Repeater 1	Repeater 2	Repeater 3	Repeater 4	Repeater 5	RDAC
Number of Wide Area Channel Peers* for Slot 1	3	3	3	0	3	0
Number of Wide Area Channel Peers* for Slot 2	2	2	2	0	0	0
Total Number of IP Site Connect Peers*	5	5	5	5	5	5
If Master, Total Number of IP Site Connect Peers*	5	0	0	0	0	0
Required Uplink/Downlink Bandwidth (kbps)	175	160	160	85	130	85

* Peer does not include self.

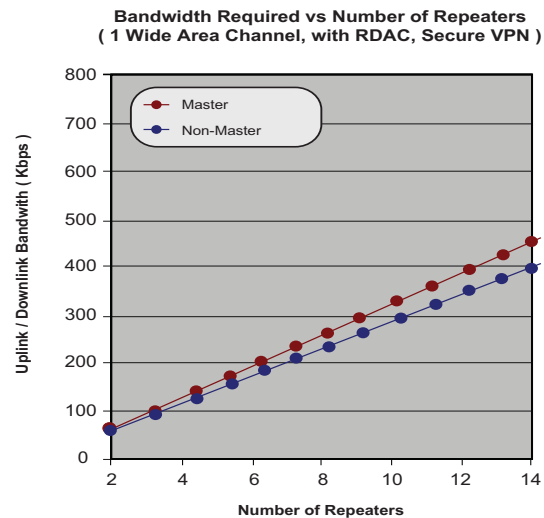
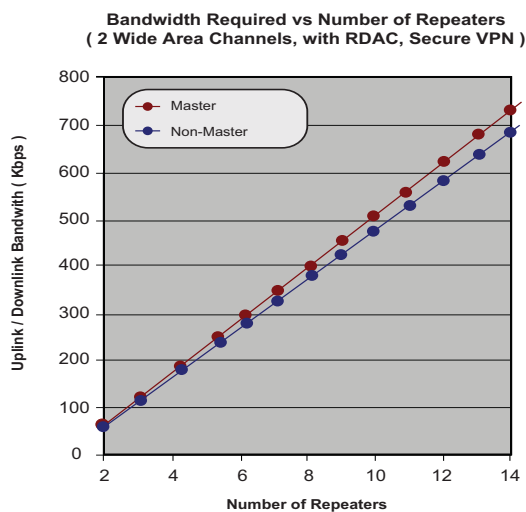
IP Site Connect devices behind a single router need to be added together to acquire the wide area network bandwidth requirements. See the final bandwidth requirements in the figure above.

Note that an analog repeater or disabled repeater connected to the IP Site Connect system would require the same amount of traffic as a local only repeater (Repeater 4). But keep in mind that if the disabled repeater will eventually be enabled without disabling a different repeater, the bandwidth of the enabled repeater should be accounted for in the bandwidth plan.

4.6.3.2.4.2 Required Bandwidth Calculations While Utilizing a Secure Virtual Private Network

As was discussed in previous chapters, peer-to-peer communications over the network are optionally authenticated and are also encrypted end-to-end if enabled in the radios. See "Voice and Data Privacy" on page 92. If this is not considered sufficient for a particular customer, IP Site Connect supports the ability to work through a Secure Virtual Private Network (VPN). Secure VPN is not a function of the IP Site Connect device but rather of the router. It is important to note that Secure VPN does add the need for additional bandwidth and may introduce additional delay.

For a quick reference, the graphs below show the required bandwidth for the two previously discussed simple IP Site Connect system configurations, but in this case utilizing routers with Secure VPN enabled and repeater Authentication Disabled. When utilizing Secure VPN routers, repeater authentication is not necessary since the Secure VPN utilizes its own authentication. As can be seen, the bandwidth requirements per device increase substantially. This should be taken into account when planning for bandwidth.



The following parameters should be used in the previous equation to calculate the bandwidth requirements of each device in the system when secure VPN in the routers is enabled and repeater authentication is disabled.

BWVC = 23 kbps = Bandwidth required to support Wide Area Voice or Data with Secure VPN

BWLM = 5 kbps = Bandwidth required to support Link Management without authentication

BWIR = 4 kbps = Bandwidth required to support Master Messaging

BWRD = 64 kbps = Bandwidth required to support RDAC commands

NOTE: The preceding data was compiled using the Linksys EtherFast Cable/DSL VPN Router with four-port switch. Model: BEFVP41. Other routers using different algorithms may yield different results.

4.6.4 Flow of Voice/Data/Control Messages

The flow of voice/data/control messages from a radio to its repeater for an IP Site Connect configuration is the same as that of single-site configuration of MOTOTRBO system. The major changes in the flow of messages (between single site operations and multiple site operations) are in the processing of a message in the repeaters and the additional delays introduced due to reasons such as serialization, propagation, arbitration, and the nonalignment of slots between repeaters. This section describes the changes.

On receipt of a start up of a voice/data/control call from a radio over a slot, a repeater sends it over the backend network to all the repeaters that are enabled, operating in digital mode, and the corresponding slot is configured for multiple site operation. This implies that at any time at most two calls are active in an IP Site Connect system if both slots are configured for multiple site operation.

In an IP Site Connect configuration, calls can start concurrently at more than one repeater and due to different messaging delay between repeaters, it is possible that different repeaters select different calls for repeating over-the-air. To overcome this problem, on receipt of a start up of a voice/data/control call either over-the-air (from a radio) or over the backend network (from other repeaters), a repeater starts an arbitration window for a duration of twice the Inter-Repeater Messaging Delay. At the end of the arbitration window, the repeater selects one of the calls received during this window using a procedure that ensures that all the repeaters select the same call. After selection, a repeater starts repeating the bursts of the selected call. A disadvantage of the arbitration procedure is that it increases the System Access Time.

The voice/data/control messages are sent burst by burst between repeaters. Like a single-site system, a repeater does no data link layer processing (e.g. acknowledgement, decryption). If required, the voice and data messages are encrypted/–decrypted by the source and destination radios. A repeater sends the voice or data packet to other repeaters as it receives over-the-air. Also in case of data message, the destination radio sends the Ack/Nack and if required the Selective ARQ takes place between the source and destination radios and not between a radio and its repeater.

A call is a session of one or more transmissions from participating radios. To ensure continuity between transmissions, the single site configuration of MOTOTRBO has Hang Time, during which the channel is reserved for participant(s) of the ongoing call. The IP Site Connect configuration extends the concept of session to include Remote Monitor call, Individual and group data call, and CSBK Call (e.g. Call Alert, Radio Check, Inhibit/Uninhibit). The Hang Time ensures that a call continues with minimum interruptions.

The flow of data messages from a radio to an application (e.g. Location or Text Messages) in an IP Site Connect system is similar to a single-site configuration of MOTOTRBO. A data packet flows burst-by-burst to a Control Station connected to the Application Server. The Control Station assembles the bursts into a PDU. If the PDU is confirmed then the Control Station handles the data link layer acknowledgement. If the PDU is encrypted then the Control Station decrypts the PDU. The Control Station strips the data link layer headers and forwards the resulting datagram to the Application Server.

All the data applications of the single site configuration of MOTOTRBO are compatible with IP Site Connect configuration. An IP Site Connect configuration supports the revert channels, where a revert channel can be a channel of another IP Site Connect system. The GPS data on a GPS Revert Channel are sent unconfirmed in IP Site Connect mode. This increases the throughput of

the GPS data as the data link layer acknowledgement over the backend network is slower due to delays associated with the backend network.

4.6.5 Security Considerations

The single site configuration of MOTOTRBO offers two types of privacy mechanisms over-the-air – Basic Privacy and Enhanced Privacy. See “Voice and Data Privacy” on page 92 The IP Site Connect configuration not only supports both the mechanisms, but also extends them over the backend network. A repeater does not decrypt the encrypted packets. It simply passes the packets as received over-the-air to other repeaters. Since the two mechanisms are not compatible, all the radios and repeaters of an IP Site Connect system should support the same privacy mechanism. This should be ensured during configuration. Note that the privacy mechanisms protects only the voice or data payloads. They do not protect the voice or data headers, or control messages (i.e. CSBK) or system messages (between repeaters).

An IP Site Connect system optionally offers authentication of all the packets sent between IP Site Connect devices. Each packet has a 10 bytes long cryptographic signature. The signature is created using Keyed-Hash Message Authentication Code (HMAC), which is a National Institute of Standards and Technology (NIST) standard. The hashing is done using SHA-1 algorithm. The HMAC uses a 20 bytes long symmetric keys and generates a 20 bytes long signature. To reduce the bandwidth requirement over the backend network, the 20 bytes long signature is truncated to 10 bytes before attaching to the packet. Packet authentication prevents an attacker from using an impersonator as an IP Site Connect device in order to get access to the IP Site Connect system. This feature, if selected by a customer, requires the customer to manually configure the same key to all the IP Site Connect devices. Note that the IP Site Connect system does not support rekeying remotely.

The above authentication mechanism does not provide protection against the replay attacks. For a more secure authentication, an IP Site Connect configuration should use Secure VPN routers to connect with the backend network. Secure VPN routers can optionally provide confidentiality of all the messages including system messages (between IP Site Connect devices), control messages (i.e. CSBK), and voice or data headers. A disadvantage of using Secure VPN Routers is that the IP Site Connect requires more inbound and outbound bandwidth from the ISP. The use of Secure VPN routers make the authentication mechanism of IP Site Connect redundant and it is recommended that it should be disabled. This saves some bandwidth over the backend network.

4.6.6 General Considerations When Setting Up the Network Connection for an IP Site Connect System

Network setup and configuration varies significantly depending on the complexity of the equipment and IP network the system resides on. It is always wise to communicate with the Network Administrator during installation and during the design phase as they are likely be the individuals configuring the network equipment and own a great deal of knowledge in this area. Below is a short list of items to keep in mind when setting up or when troubleshooting the networks of IP Site Connect systems.

- When assigning Static IP addresses within a Network, it must not conflict with another static IP address. As with any IP conflict, this can cause a disruption to the IP Site Connect traffic. Also, ensure that the static IP address does not fall into the DHCP assignable range. This can cause an IP conflict if the address is dynamically assigned to another device on the network.
- If other network devices are present on the same IP network as the IP Site Connect devices, it is good practice to setup Quality of Service (QoS) rules in the Internet Router. This ensures that the IP Site Connect packets have priority over other traffic on the system. Not doing this could cause audio performance degradation or lost transmissions when other devices on the system are excessively utilizing the network. There are various methods routers use to provide QoS. It is commonly performed by configuring a range of UDP ports or IP Addresses a specific amount of upstream and downstream bandwidth. The default UDP port for IP Site Connect is 50000. For details on calculating the required bandwidth, see section *“Required Bandwidth Calculations”* on page 274.
- Verify that the customer network equipment is not blocking the IP Addresses or UDP Ports (default 50000) utilized by the IP Site Connect system. This is commonly done by a firewall or other security device. Consult the customer’s Network Administrator or Internet Service Provider.
- Inquire with the Internet Service Provider if there are any caps on bandwidth usage per month. Some ISPs do not allow the customer to exceed a particular upload or download limit per month. Since IP Site Connect systems stream voice over the internet, it may be possible to surpass this limit on extremely high usage systems. As a reference point, a five site system under nominal load could use around 20GB per month, where as a 15 site system under nominal load could use around 65GB per month. For most ISPs, this will not be an issue.
- When configuring routers with VPN links, it is wise to increase the IPSec Key Life Time (KLT) Timers to around 13 to 24 hours. It is recommended to set Phase 1 KLT to 24 hours, and Phase 2 KLT to 13 hours. Some low-end routers cause a disruption to ongoing voice and data when renegotiating keys after the Key Life Time Timer expires. This is especially noticeable when multiple VPNs are configured with identical Key Life Time Timers since the router will need to re-calculate numerous keys at the same time. It is best practice to offset each VPN’s Key Life Time Timers by 10 minutes.

4.6.7 Considerations for Shared Use of a Channel

To take care of shared use of a physical channel, a repeater (e.g. green repeater) of an IP Site Connect system always monitor its Rx frequency and does not transmit if the Received Signal Strength Indicator (RSSI) from radio(s) of some other radio system is greater than a configurable threshold. This ensures that an IP Site Connect system will not use a channel if another repeater, in vicinity, is currently using the channel. The RSSI threshold is CPS programmable in the range of 40 dB to 130 dB. The threshold should be chosen wisely otherwise interference from background noise may inhibit a repeater from transmitting. The RDAC application can be used to measure the inbound RSSI of an interfering signal if required.

The figure below shows the transmission of red radio interfering with the green repeater.

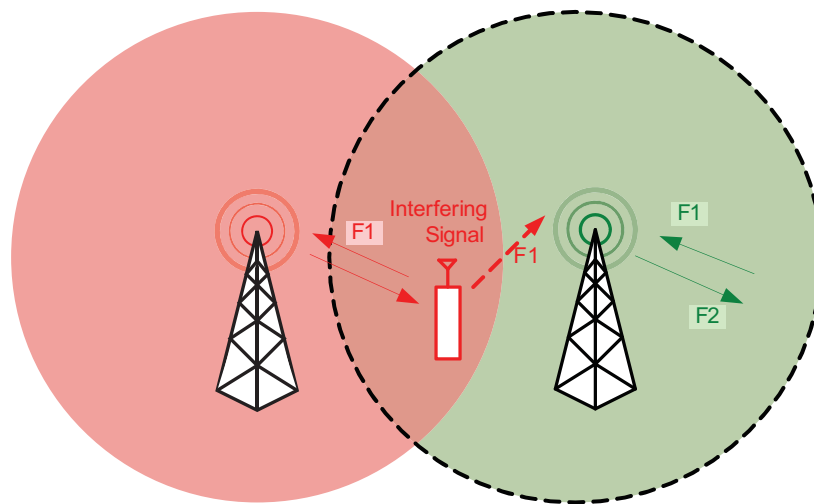


Figure 4-20 An Example of Interference at Receive Frequency

The above monitoring scheme of Rx frequency is not sufficient in the following conditions:

- In VHF range, in some countries (including USA), the transmit frequency is not tightly bound to a receive frequency
- There is no radio in the other radio system that is currently using the system.
- The other radio system is being used by a console.
- The radio that is using the other radio system is too far from the IP Site Connect system.

To take care of above conditions, it is recommended that a repeater of an IP Site Connect system should use an external RF receiver. The external RF receiver is tuned to the transmit frequency of the repeater and activates a GPIO compatible output when it receives RF signal. The output of the receiver is connected to the “Transmit Inhibit” (an input GPIO line) of the repeater. The repeater does not wake up if its “Transmit Inhibit” line is active. An attenuator can be inserted between the antenna and the receiver, if it is required to change the threshold of the received signal. The net effect of this configuration is that the repeater does not wake up if there is another repeater transmitting at its Tx frequency. The repeater CPS allows its user to associate an input line of the

GPIO lines with “Transmit Inhibit”. This arrangement is also applicable to single-site repeaters. The figure below shows the transmission of red repeater interfering with the green repeater.

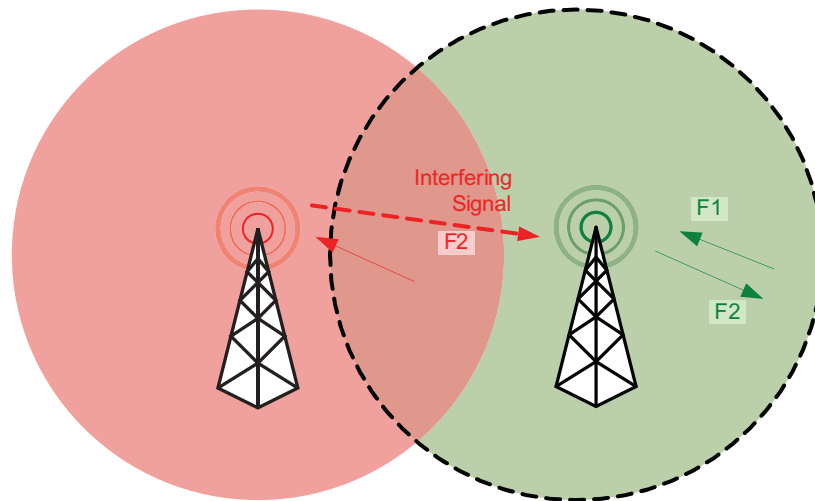


Figure 4-21 An Example of Interference at Transmit Frequency

4.6.8 Migration from Single Site Systems

The hardware of radios (both portables and mobiles) and repeaters of MOTOTRBO's single site system are fully compatible with the IP Site Connect configuration. To migrate to IP Site Connect system the customer is required to update the software of repeaters and reconfigure them. Some of the features of the single site radios may work in the IP Site Connect system but it is highly recommended that the software of the radios should also be updated. Data applications of single site configuration are fully compatible with the IP Site Connect configuration.

4.6.9 Migration from an Older IP Site Connect System

IP Site Connect repeaters provide a robust migration for upcoming software versions for repeaters. IP Site Connect repeaters exchange their respective link protocol version information and validate interoperability support when they detect repeaters having different firmware/software versions loads.

Example: Assume an IP Site Connect system running on software version R01.05.00 is being upgraded to R01.06.00. The upgraded R01.06.00 repeater initiates the discovery, exchanges link protocol version information with the R01.05.00 repeaters, and synchronizes the protocol versions for optimal repeater operations.

While the repeater's versioned IP link protocol provides a clean migration methodology between repeater software versions, there are limitations associated with this feature. Repeaters support the current and previous two releases. Hence, repeater operations and interoperability beyond the previous two releases would result in incompatibility between repeaters. In such abnormal scenarios, customers are required to upgrade the system such that all repeaters operating on the system remain compatible; meets the requirement of the current and previous two releases.

A service degradation is expected in scenarios that include multiple repeater firmware versions running in the system. Therefore, usage of the same repeater firmware version throughout the system, and only allow usage of different firmware versions during the upgrade period is preferred.

The IP Site Connect repeaters discover each other through the Master repeater (configurable via the CPS); which is a centralized entity of the system. The recommendation is to have the Master repeater upgraded first to minimize system downtime, optimize IP link connectivity and improve system access time across the backend IP network.

4.7 Multiple Digital Repeaters in Capacity Plus

The main problem with the standalone configuration of multiple digital repeaters is that a radio can only use one channel of a repeater at any instance of time. Capacity Plus resolves this restriction and allows a radio to use all the repeaters at a site. The sharing of repeaters improves the utilization of channels.

4.7.1 System Capacity

In Capacity Plus, MOTOTRBO supports a maximum of 20 backend network devices (e.g. repeaters, RDAC PC), where network devices include a maximum of six trunked repeaters (i.e. twelve Trunked Channels), a maximum of twelve Revert repeaters (i.e. 24 revert channels), and two RDACs or similar applications.

A Capacity Plus channel mode supports more radios compared to a single repeater configuration (for details, see "Estimating Loading (For Capacity Plus)" on page 249). The ID of radios in Capacity Plus ranges from 1 to 65535 (i.e. 16 bit) and the ID of groups in Capacity Plus ranges from 1 to 254 (i.e. 8 bit). The Group ID of 255 is reserved for All Call.

When adding a new trunked repeater to a Capacity Plus system, all the radios should be configured with the channels of the new repeater, before the new repeater is connected to the Capacity Plus system.

4.7.2 Frequencies and Color Code Considerations

As Capacity Plus is a single site trunking system, all the repeaters should use different frequencies. Their color code can be the same or different. A Capacity Plus system has the ability to share RF channel(s) with other systems, but it is necessary to ensure that all channels in all overlapping systems have a unique frequency pair and color code combination.

A Capacity Plus radio requires lists of all trunked and revert channels. This makes it necessary to reprogram all the radios when a frequency is added to the system. If a Capacity Plus system is to be expanded in the future, and if these frequencies are known, then it is recommended to keep all future frequencies in the trunked list. Keeping additional trunked frequencies in the radio marginally slows down the radio operations when the radio is powered on, or when the radio comes out of fade. But this prevents the need to reconfigure all the radios when new repeaters are added.

If a Capacity Plus repeater needs to be removed from service for an upgrade or for repair, there is no need to reconfigure the radios. The MOTOTRBO Capacity Plus system can still operate as long as there is one Capacity Plus repeater functioning in the system. Additionally, there is no need to power down the whole MOTOTRBO system while removing or adding a repeater in the Capacity Plus system.

The above recommendation is also true for revert channels but with a condition. A radio may experience delay in transmitting data over revert channels. During this delay, a radio may miss a call taking place on the Trunked Channel.

4.7.3 Considerations for the Backend Network

A Capacity Plus system requires a backend network if it has more than one repeater. The backend network for Capacity Plus is a Local Area Network. In the simplest and most common configuration, an Ethernet Switch is used to connect all repeaters. To add a remote RDAC, connect the Ethernet Switch to a Router (see section 3.2.4.1.4 for a list of recommended devices). This router is connected to either a dedicated network, or to the Internet (provided by an Internet Service Provider). Although Capacity Plus works with most off-the-shelf devices, the following Ethernet Switch is suggested for use.

- HP Procurve 2510-24 (J9019B)

A repeater has three network interfaces: Ethernet, USB, and over-the-air. A repeater uses its Ethernet port to communicate with other network devices using IPv4/UDP. Since UDP does not support confirmation, Capacity Plus provides its own acknowledgement and retry mechanism for critical activities. The Ethernet port is not the default IP gateway of the repeater. An IP datagram that arrives from USB or from over-the-air is not automatically routed to the Ethernet port.

Only the Master repeater needs a static IPv4 address. Other Capacity Plus devices may have either static or dynamic IPv4 addresses. Dynamic IPv4 addresses are allocated by a DHCP server. The dynamic IPv4 addresses may change every time the Capacity Plus device powers-on or periodically (every few hours). To enable the use of dynamic addresses, select the *DHCP* option in the repeater codeplug via the CPS. The lease time of the IPv4 address from the DHCP server should be kept as long as possible. A change in the IPv4 address of a device causes a short disruption of service. To enable the use of static IPv4 addresses, do not select the *DHCP* option; ensure the static IPv4 address, the gateway IPv4 address and netmask are provided.

Just like an IP Site Connect configuration, a Capacity Plus configuration uses “Link Management” to keep a device aware of the status, the current IPv4 address, and UDP port of other devices. For reference, see “Considerations for the Backend Network” on page 270 on Link Management in an IP Site Connect configuration. The Link Management requires only one of the repeaters (called a Master) to act as a broker of IPv4/UDP addresses. The Master’s IPv4/UDP address is configured into all the Capacity Plus devices. The Master’s IPv4/UDP address refers to its address as seen from the backend network. A firewall/NAT may translate the address in the customer network into another address on the backend network.

4.7.4 Behaviors in Presence of Failures

A Capacity Plus system has no centralized controller and this makes it tolerant to failures. It automatically detects most types of failures, reconfigures itself, and continues to provide the services although with decreased capacity.

A repeater detects the failure of other repeaters or the backend network. “Keep Alive” messages are periodically exchanged between repeaters. The absence of such messages from a repeater indicates a failure of either that repeater or of the network in between. A failed repeater is not selected as a Rest Channel repeater. If a Rest Channel repeater fails, a new Rest Channel is selected by the system.

To help a radio detect the failure of the Rest Channel repeater, the Rest Channel repeater periodically broadcasts system status over the Rest Channel. If a radio misses the broadcast, then it knows that either the repeater has failed or it is not within the coverage area of the repeater and the radio starts searching for the Rest Channel.

When the backend network switch fails, each repeater cannot connect to all other repeaters. Each repeater then starts working as a two-channel trunking system. At the time of the switch failure, all radios may be on the Rest Channel or busy on other channels. In the first instance, the call capacity is severely impacted while in the second, radios on different channels are unable to communicate.

To resolve a failure of a revert channel repeater, a radio makes multiple attempts to transmit a data message on different channels.

If a Trunked Control Station fails, a set of radios will not receive data messages from the Application Server.

4.7.5 Limiting Interference to Other Systems

Capacity Plus is designed to be compatible with both exclusive and shared channels. To help a radio detect the unavailability of a Rest Channel, the repeater periodically transmits a very short system status message beacon. If the radio misses this transmission on a Rest Channel, then the radio is either not within the coverage area of the repeater or the repeater cannot transmit (due to interference by other systems or a failure). The radio then starts searching for a new Rest Channel. The interval of periodic transmissions of the system status messages can be selected within certain limits by an authorized technician. There are two points to consider:

- A more frequent beacon transmission helps a radio detect the unavailability of the Rest Channel faster, and thus reduces the downtime caused by interference from other systems and improves capacity. Hence, it is recommended to keep the beacon interval at the default value.
- If the system incorporates a shared channel causing interference to other systems, the default value of the beacon interval can be increased.

4.7.6 Plan for Talkaround Mode

In Capacity Plus, a MOTOTRBO radio does not support Talkaround. To ensure a communication channel is available when the Capacity Plus system is completely shut down or when a radio has moved out of the coverage area, it is recommended to program at least one common channel in Talkaround mode, i.e. at least one of the channel knob position should be programmed for Talkaround mode.

The Talkaround mode configuration is useful when the Capacity Plus system fails or the radio is out of coverage area. All that a user needs to do is to switch to Talkaround personality.

The radio user may define their own protocol for when to switch to Talkaround mode. For example, all radio users may switch to Talkaround mode when their radio is not on the Capacity Plus system for more than 10 minutes.

A customer may decide to plan the Talkaround mode configuration according to the number of groups that need such an operation. The available Talkaround mode frequencies should be distributed to the different groups based on their call profiles. Radios users can use scan mode in Talkaround.

To detect if the Capacity Plus system is once again up and running, radio users may periodically switch to a Capacity Plus channel and observe the activity on the channel.

4.7.7 Ways to Improve Battery Life

To improve battery life of a portable radio, a user can switch the radio power to low power mode by using the radio menu or power button. Low power mode improves battery life of a portable radio significantly over the high power mode.

When a user notices that the radio is not providing talk-permit tone for multiple PTT attempts in low power mode and that the signal strength bar is still visible, the radio should be switched to high power mode when initiating a call. When switching to different power modes, the radio user will not miss any incoming calls. The call listening capability of radio does not change with the radio transmit power.

Additionally, a radio user may turn off the radio when calls are not expected or when the radio is out of coverage.

4.7.8 Considerations for Configuring Combined Firmware Versions

In cases where legacy repeaters and other higher versions of repeaters needs to be connected together, it is highly recommended to make one of the higher version repeaters as the Master repeater, to avoid service degradation issues.

In scenarios where the MTR3000 repeaters are combined with the MOTOTRBO repeaters, it is possible that the MOTOTRBO repeater firmware is of a higher version than the MTR3000 repeater firmware. Configure the MOTOTRBO repeater as the Master repeater to avoid service degradation in this scenario.

4.8 Multiple Digital Repeaters in Linked Capacity Plus

4.8.1 System Capacity

In a Linked Capacity Plus configuration, MOTOTRBO supports up to 15 sites, including host PCs, and a maximum of six trunked repeaters per site. The maximum number of Data Revert Repeaters is three.

A Linked Capacity Plus system supports more radios per channel compared to a single repeater configuration or IPSC configuration. This is based on the following reasons:

- A customer can configure a talkgroup as a local talkgroup. The local talkgroup call is transmitted over-the-air at only one site.
- A customer can associate a set of sites with a talkgroup. The talkgroup call is transmitted over-the-air at only the associated sites.
- After initial handshakes, a Private Call is transmitted at either one or two sites only.

The radio and talkgroup IDs in Linked Capacity Plus are the same as the IDs in Capacity Plus. The ID of radios in Linked Capacity Plus ranges from 1 to 65535 (that is, 16-bit) and the ID of talkgroups in Linked Capacity Plus ranges from 1 to 254 (that is, 8-bit). The Group ID of 255 is reserved for All Call.

When adding a new trunked repeater to a Linked Capacity Plus system, all radios should be configured with the channels of the new repeater before the new repeater is connected to the system.

4.8.2 Considerations for Frequencies, Color Code, and Interference

In a Linked Capacity Plus system, the frequencies and color code of repeaters should satisfy the following rules:

- All the repeaters at a site should use different frequencies. Their color code can be the same or different.
- If the system incorporates a shared channel, then the beacons cause interference to other systems. In such scenarios, the value of the beacon interval can be increased.
- The repeaters of the non-adjacent sites of a Linked Capacity Plus system should use different frequencies and color code combinations. It is not advisable to keep the same frequencies and color code because a roaming radio is not able to distinguish between them, and may use incorrect Data Revert Channels or an incorrect list of neighboring sites.
- A Linked Capacity Plus system can share one or more of its channels with other systems. However, it is necessary to ensure that all the overlapping channels of different systems have a unique frequency and color code combination. If the frequencies of the geographically adjacent repeaters of two systems are the same, then their color codes should be different. It is not advisable to keep the same frequencies because in areas of overlap, destructive interference can occur.
- A system may be sharing the channels with other systems over multiple sites. It is possible that two systems (named here as Sys1 and Sys2) may be using the same (frequencies, color code) pair at two different sites (for example, Site1 and Site2). During automatic site search, a Sys1 radio at Site2 finds a Sys2 repeater and stays on

that channel. This is not a desirable situation. One way to avoid this situation is to ensure that all the (frequencies, color code) pairs of all the overlapping systems are unique.

To take care of shared use of a physical channel, an LCP repeater always monitors its Rx frequency and does not transmit if the RSSI from radio(s) of some other systems is greater than a configurable threshold. This ensures that an LCP system does not use a channel if another repeater in the vicinity, is currently using the channel. The RSSI threshold is CPS programmable in the range of -40 dBm to -130 dBm. The threshold value should be chosen wisely. A value lower than the background noise, inhibits a repeater from transmitting due to interference from background noise. A value higher than the RSSI of the radio of some other system makes the system unfriendly to systems sharing the frequency. The RDAC application can be used to measure the inbound RSSI of an interfering signal, if required.

The above Rx frequency monitoring scheme is deficient if the LCP repeater is unable to deduce that an interfering signal is present on its outbound channel based on the presence of an interfering radio transmission from another radio system on its inbound channel. This situation may arise for any of the following reasons:

- There is no radio in the other radio system that is currently using the system.
- The other radio system is being used by a console.
- The radio that uses the other radio system is too far from the Linked Capacity Plus system.

To take care of the above conditions, it is recommended that a repeater of an LCP system should use an external RF receiver. The external RF receiver is tuned to the Tx frequency of the repeater and activates a GPIO compatible output when receiving a RF signal. The output of the receiver is connected to the "Transmit Inhibit" (an input GPIO line) of the repeater. The repeater does not wake up if its "Transmit Inhibit" line is active. An attenuator can be inserted between the antenna and the receiver, if it is required to change the threshold of the received signal. The net effect of this configuration is that the repeater does not wake up if there is another repeater transmitting at its Tx frequency. The repeater CPS allows the user to associate an input line of the GPIO lines with "Transmit Inhibit". This arrangement is also applicable to single site repeaters.

Linked Capacity Plus is designed to be compatible with both exclusive and shared channels. To help a radio detect that it is out of range of its repeater and to facilitate automatic roaming by the radio, the repeater periodically transmits a very short beacon. If the radio misses this transmission on a Rest Channel, then the radio is either not within the coverage area of the repeater, or the repeater cannot transmit (for example, due to interference by other systems or a failure). The radio then starts searching for a new Rest Channel. The interval of periodic transmissions of the beacon can be selected within certain limits by an authorized technician. There are two points to consider:

- A more frequent beacon transmission helps a radio detect the "out of range" state faster, and thus reduces the downtime caused by interference from other systems and improves capacity. Hence, it is recommended to keep the beacon interval at the default value. This also makes the roaming faster.
- If the system incorporates a shared channel causing interference to other systems, the default value of the beacon interval can be increased.

4.8.3 Considerations for the Backend Network

In a Linked Capacity Plus system, the repeaters at a site are connected over a LAN. The repeaters at a site must be plugged into a switch that must be behind a router because LCP uses locally administered IP addresses. The router must support “NAT”¹. In NAT, internal UDP/IP addresses are translated to external UDP/IP addresses. In the simplest and most common configuration, an Ethernet switch with a router is used to connect all the repeaters at a site. Although Linked Capacity Plus works with most off-the-shelf network devices, the following Ethernet switch and router are suggested for use.

- Switch – HP Procurve 2510-24 (J9019B)
- Router – HP MSR 20-20

An LCP repeater uses IP Limited Broadcast Address (255.255.255.255) to distribute a message to all the repeaters at a site. The broadcast messages may have some adverse effects on the other devices present on the LAN. Therefore an LCP configuration expects that only the LCP repeaters are present on the LAN. This router is connected to either a dedicated network, or to the internet provided by an ISP.

Only the Master repeater needs a static IPv4 address. Other repeaters may have either static or dynamic IPv4 addresses. The dynamic IPv4 addresses may change every time the network device powers-on or periodically every few hours. The lease time of the IPv4 address should be kept as large as possible. A change in the IPv4 address of the network device causes a short disruption of service.

Just like an IP Site Connect configuration, a Linked Capacity Plus configuration uses “Link Management” to keep a device aware of the status, the current IPv4 address, and UDP port of other repeaters. The Link Management requires only the Master repeater to act as a broker of IPv4/UDP addresses of repeaters. The Master’s IPv4/UDP address is configured into all the Linked Capacity Plus devices. The Master’s IPv4/UDP address refers to its address as seen from the backend network. A firewall/NAT may translate the address in the backend network into another address in the customer network. The backend network can be a dedicated network or an internet. ISPs provide a range of technologies such as DSL (typically ADSL), cable modem, broadband wireless access, Canopy, ISDN, Frame Relay, and more. In some cases, dedicated links or networks can be effectively used or deployed, removing the monthly fees associated with public networks. The backend network cannot be based on dial-up connection (due to small bandwidth) or Satellite Internet access (due to large delay).

A Linked Capacity Plus device registers its IPv4/UDP address during power-on and periodically with the Master. The Master then notifies all the devices whenever the IPv4 address of a device changes. The devices may be behind firewalls. For successful communication between two devices (for example, R1 and R2), the firewall of R1 must be open for messages from R2 and vice versa. Since the IPv4/UDP address of an IP Site Connect device is dynamic, it is not possible to manually configure the firewalls. The Link Management procedure overcomes this problem by periodically sending a message from R1 to R2 and vice versa. On a receipt of an outbound message (for example, from R1 to R2), the R1’s firewall keeps itself open for a short duration of

-
1. Basic NAT provides translation for IP addresses only, and places the mapping into a NAT table. In other words, for packets outbound from the private network, the NAT router translates the source IP address and related fields; for example, IP, UDP, and ICMP header checksums. For inbound packets, the NAT router translates the destination IP address and related checksums for entries found in its translation table.

approximately 20 seconds for an inbound message from R2. A device sends the dummy message to another device only if they are parties to the same call.

Network setup and configuration varies significantly depending on the complexity of the equipment and IP network the system resides on. It is always wise to communicate with the Network Administrator during installation and during the design phase as they are likely to be the individuals configuring the network equipment and own a great deal of knowledge in this area. Below is a short list of items to keep in mind when setting up or when troubleshooting the networks of a Linked Capacity Plus system.

- When assigning static IP addresses within a network, it must not conflict with another static IP address. Conflicting IP addresses can cause a disruption to the traffic. Additionally, ensure that the static IP address does not fall into the DHCP assignable range. This can cause an IP conflict if the address is dynamically assigned to another device on the network.
- If other network devices are present on the same backend IP network, it is good practice to setup Quality of Service (QoS) rules in the internet router. This ensures that the Linked Capacity Plus packets have priority over other traffic on the system. Failure in doing this could cause audio performance degradation or lost transmissions when other devices on the system are excessively utilizing the network. There are various methods routers use to provide QoS. It is commonly performed by configuring a range of UDP ports or IP addresses a specific amount of upstream and downstream bandwidth. The default UDP port for Linked Capacity Plus is 50000.
- Verify that the customer network equipment is not blocking the IP addresses or UDP ports utilized by the Linked Capacity Plus system. This is commonly done by a firewall or other security devices. Consult the customer's Network Administrator or ISP.
- Inquire with the ISP if there are any caps on bandwidth usage per month. Some ISPs do not allow the customer to exceed a particular upload or download limit per month. Since Linked Capacity Plus systems stream voice over the internet, it may be possible to surpass this limit on extremely high usage systems.
- When configuring routers with VPN links, it is wise to increase the IPSec Key Life Time (KLT) timers to approximately 13 to 24 hours. It is recommended to set Phase 1 KLT to 24 hours, and Phase 2 KLT to 13 hours. Some low-end routers cause a disruption to ongoing voice and data when renegotiating keys after the KLT timer expires. This is especially noticeable when multiple VPNs are configured with identical KLT timers since the router needs to re-calculate numerous keys at the same time. It is best practice to offset each VPN's KLT timers by 10 minutes.

4.8.3.1 Backend Network Characteristics

To create a proper backend network design, it is important to know its characteristics. Section 4.6.3.2 explains the issues dealt with in the backend network of an IP Site Connect system. They are also applicable to the backend network of a Linked Capacity Plus system.

4.8.3.2 Backend Network Bandwidth Considerations

Bandwidth is the amount of data transferred to and from a network device, often referred to as the bit rate. Bandwidth is measured in bits per second or kilobits per second (kbps). When designing an IP Site Connect system, it is important to understand the needs of each IP Site Connect device so that the appropriately rated network connection for each site can be chosen.

If a customer has high speed network connections between sites, these calculations may not be as important, but if they are working on lower speed public ISPs, it is good practice to understand these values and plan accordingly. If the minimum amount of bandwidth is not available, the end user may experience audio holes or even dropped calls. Radio-to-radio data messaging or RDAC commands may not be successful on the first attempt, or may be dropped all together. In general, the QoS may suffer if substantial bandwidth is not available.

For most ISPs, the uplink bandwidth is the limiting factor. The downlink bandwidth is usually multiple factors above the uplink bandwidth. Therefore, if the uplink requirements are met, the downlink requirements are almost always acceptable. Some ISPs may state they provide a particular bandwidth, but it is important to verify the promised bandwidth is available throughout the operation and once the system is installed. A sudden decrease in available bandwidth may cause the previously described symptoms.

If the WAN connection is utilized by other services (file transfer, multimedia, web browsing, etc.), then the IP Site Connect devices may not have the appropriate bandwidth when required and the QoS may suffer. It is suggested to remove or limit these types of activities. Additionally, overusage of the RDAC application itself may cause increased strain on the network during times of High Voice activity. It is recommended that RDAC commands be kept to a minimum, unless appropriate bandwidth has been allocated.

4.8.3.2.1 Required Bandwidth Calculations

This section explains how to estimate the bandwidth required by the backend network of a Linked Capacity Plus system. It does not provide the bandwidth required by the LAN because a Linked Capacity Plus configuration expects only its repeaters are present over the LAN.

For most ISPs, the uplink bandwidth is the limiting factor. The downlink bandwidth is usually significantly more than the uplink bandwidth. Therefore, if the uplink requirements are met, the downlink requirements are almost always acceptable.

The estimation makes the following assumptions:

1. The backend network connection is not utilized by other services such as file transfer, multimedia, web browsing, etc.
2. The system configuration is in steady state, that is, no repeater nor site nor data application has joined or left the system.
3. All GPS messages are sent over Data Revert Channels.
4. The radios are uniformly distributed over all the sites. For example, if there are 600 radios and six sites, then each site have approximately 100 radios.
5. The configuration has no applications such as billing application or RDAC.
6. The numbers of repeaters at each site are the same.

The amount of bandwidth required by a site is dependent on many parameters. The bandwidth formulas use the following symbols for the parameters and call profiles:

Name	Symbol	Example Value	Comments
Number of Sites	S	15	Maximum 15
Number of Repeaters	B	6+12	Maximum 6 trunked and 12 Data Revert Repeaters
Number of Radios	R	600	A typical 6 trunked repeaters system may have 600 radios
Number of Local Talkgroup Calls/Radio/Hour	Ci	2	Total number of talkgroup calls = $Ct * Su = 1800$ calls/hour
Number of Wide Talkgroup Calls/Radio/Hour	Cw	1	
	L	–	
Average Number of Sites/Wide Talkgroup		10 s	
Duration of Talkgroup Call			
Number of Private Calls/Radio/Hour	Ci	1/3	Total number of Private Calls = $Ci * Su = 200$ calls/hour
Duration of Private Call		20 s	
Number of GPS Messages/Radio/Hour	Dg	60	Total number of GPS messages = $Dg * Su = 3600$ calls/hour
Duration of GPS Message		0.24 s	
Number of Text Messages/Radio/Hour	Dt	2.5	Total number of text messages = $Dt * Su = 1500$ calls/hour
Duration of a Typical Text Message		0.72 s	

Number of inbound or outbound datagrams per second at a site = $(2*S+B-1)/10 + (R/7200)$
 $[Ci * (1-1/S) +$
 $Cw * \{(S-1)*(1-1/S) + 333(L-1)/S\} +$
 $Ci * \{(S-1)*(1-1/S) + 667/S\} +$
 $Dt * \{(S-1)*(1-1/S) + 24\} +$
 $Dg * 20 * (S-1)]$

4.8.4 Behaviors in Presence of Failures

A Linked Capacity Plus system has no centralized controller and this makes it inherently tolerant to failures. The system automatically detects most types of failures, reconfigures itself, and continues to provide the services although with decreased capacity. This section provides the consequences of the failure of one or more entities of a Linked Capacity Plus system.

4.8.4.1 Failure of the Master

If the Master is the only static IP address in the LCP system and it fails, if DHCP resets the dynamic IP addresses of the repeaters at one of the other sites before the static master is replaced, that site loses connectivity with the rest of the LCP sites. When the Master repeater is replaced, the site which had IP addresses reset can update the Master's routing table and regain connectivity with the other sites.

The consequences of a failure of the Master are limited. The system continues to function with exception that it is not possible to add a new site or repeater into the system. If a repeater powers on while the Master is in failed state, then the repeater is not be able to join the system. Upon failure of the Master, it is possible to switch to a redundant repeater to act as the Master. The static IPv4 address and the UDP port number of the redundant repeater should be identical as that of the failed Master. Otherwise all repeaters are require to be reconfigured with the IPv4 address and the UDP port number of the new Master.

4.8.4.2 Failure of a Site

In absence of the periodic "Keep Alive" messages between a site and the Master, the Master concludes that either the IP Site Connect device or the network in-between has failed. The Master informs all the other sites about the absence of the failed site. The system continues to provide services with the available sites. During a network failure, it is possible that a Linked Capacity Plus system becomes multiple systems, whereby each system has a subset of the original set of sites. All new systems continue to provide the services that are possible with their subset of sites. Note that there is only one system that has the Master. When the backend network recovers, the multiple systems automatically become one system again. When a system has only one site, then the system behaves like a Capacity Plus system.

4.8.4.3 Failure of a Repeater

A repeater broadcasts "Keep Alive" messages periodically over the LAN. This allows a repeater to detect the failure of another repeater at its site. A failed repeater is not selected as a Rest Channel repeater. If a Rest Channel repeater fails, a new Rest Channel is then selected by the system.

To help a radio detect the failure of a Rest Channel repeater, an inactive Rest Channel repeater periodically broadcasts a beacon over the Rest Channel. If a radio misses the beacon(s), then it knows that either the repeater has failed, or it is not within the coverage area of the repeater. Hence, the radio starts searching for a new Rest Channel.

4.8.4.4 Failure of the LAN Switch

When the switch fails, a repeater cannot connect to other repeaters at its site. Each repeater then starts working as a two-channel trunking system. At the time of the switch failure, all radios may be on the Rest Channel or busy on other channels. In the first instance, the call capacity is severely impacted while in the second, radios on different channels are unable to communicate.

4.8.4.5 Failure of the Backend Network or Router

The failure of a router disconnects the site from the rest of the system. The failure of the backend network may disconnect one or more sites. When a site gets disconnected, it reconfigures itself and starts operating as a single site trunked system, that is like a Capacity Plus system.

Intermittent failures of the backend network causes packet loss or excessive delay. Such failures adversely affect wide area talkgroup calls. A wide area call may fail to start at all the associated sites. LCP has built-in mechanisms to recover from such failures in a few seconds.

4.8.4.6 Failure of a Revert Repeater

To overcome the failure of a revert channel repeater, a radio makes multiple attempts to transmit a data message on different channels. If a Trunked Control Station fails, a set of radios will not receive data messages from the Application Server.

4.8.5 Automatic Reconfiguration

A Linked Capacity Plus system automatically discovers the presence of a new entity such as a repeater, a site, or a Host PC. This new entity is configured with the IPv4/UDP address of the Master. Upon power-on, the new entity informs its IPv4/UDP address to the Master and the Master informs all the other entities about the presence of a new entity. Hence, this allows adding a repeater, site, or Host PC to a live Linked Capacity Plus system. This simplifies the installation/addition of an LCP entity as there is no need to take the system down and configure other entities with the IPv4/UDP address of the new entity.

A radio requires lists of all trunked and revert channels. This makes it necessary to reprogram all the radios when a physical channel (repeater) is added to the system. If a system is to be expanded in the future, and if these frequencies are known, then it is recommended to keep all future frequencies in the trunked list. Keeping additional trunked frequencies in the radio marginally slows down the radio operations when the radio is powered on, or when the radio comes out of fade. But this prevents the need to reconfigure all the radios when new repeaters are added.

If a repeater needs to be removed from service for an upgrade or for repair, there is no need to reconfigure the radios. The MOTOTRBO Linked Capacity Plus system can still operate. Additionally, there is no need to power down the entire MOTOTRBO system while removing or adding a repeater in the system.

4.8.6 Security Considerations

MOTOTRBO offers two types of privacy mechanisms over-the-air – Basic Privacy and Enhanced Privacy. In Linked Capacity Plus and IP Site Connect configurations, a repeater does not decrypt the encrypted packets. It simply passes the packets as received over-the-air to other repeaters. Since the two privacy mechanisms are not compatible, all the radios and repeaters in a system should support the same privacy mechanism.

NOTE: The privacy mechanisms protect only the voice or data payloads. They do not protect the voice or data headers, nor control messages, nor system messages (between repeaters).

Similar to IP Site Connect, a Linked Capacity Plus system optionally offers authentication of all the packets sent between sites and host PCs. Packet authentication prevents an attacker from using an impersonator as a Linked Capacity Plus entity. This feature, if selected by a customer, requires manual configuration of the same key to all the entities.

The above authentication mechanism does not provide protection against the replay attacks. For a more secure authentication, a Linked Capacity Plus configuration should use secure VPN routers to connect with the backend network. Secure VPN routers can optionally provide confidentiality of all the messages. However, a disadvantage of using these routers is that, the system requires more inbound and outbound bandwidth from the ISP. The use of these routers makes the authentication mechanism of IP Site Connect redundant and should be disabled to save some bandwidth over the backend network.

4.8.7 Migration

The hardware of radios are fully compatible with the Linked Capacity Plus configuration. Only repeaters with 32 MB of internal memory can support the LCP configuration.

While migrating multiple IP Site Connect or Capacity Plus systems into a Linked Capacity Plus system, it is important to ensure that the IDs of radios, radio IDs of the repeaters, and also the IDs of wide area talkgroups are unique.

In LCP, both the Trunked Repeaters and the Data Revert repeaters have channel IDs. The range of the channel ID of a Data Revert repeater is 33 to 253.

In Capacity Plus and IP Site Connect systems, each personality of a radio has a Rx Talkgroup List. In LCP, each site of a radio has a Rx Talkgroup List.

4.8.7.1 Migrating from IP Site Connect

To migrate from one or more IP Site Connect system(s), the following tasks are required:

- Update the software of repeaters.
- Update the software of radios.
- Reconfigure both repeaters and radios. The reconfiguration should consider the following:
 - The range of the Layer 2 ID of radios in Linked Capacity Plus is 1..65535 compared to 1..16776415 in IP Site Connect.
 - The range of the Layer 2 ID of talkgroups in Linked Capacity Plus is 1..254 compared to 1..16776415 in IP Site Connect.

In IP Site Connect, a call over a wide area channel is transmitted over-the-air at all the sites. A call over a local channel is transmitted over-the-air at the source site only. LCP does not have a local channel; allowing a customer to define a talkgroup as either local or wide-area in the Master repeater. For a wide-area talkgroup, enumerating the sites where the wide-area talkgroup call will be transmitted is allowed. Restricting the scope of a talkgroup to either local or to some sites improves the channel capacity of the system. Additionally, the ID of a local talkgroup can be reused at other sites and thus effectively increases the total number of talkgroup IDs. Unlike local channels, the local talkgroups do not require a radio user to change personality before PTT.

4.8.7.2 Migration from Capacity Plus

To migrate from one or more Capacity Plus system(s), the following tasks are required:

- Update the software of repeaters.
- If the existing radios are going to operate at one site only, then it is not essential to update the software of radios. A Capacity Plus radio continues to operate in a Linked Capacity Plus system, within one site, with the following restrictions:
 - A call from a Capacity Plus radio at a site is not received by Capacity Plus or LCP radios at other sites. This implies that all the calls from Capacity Plus radios are local.
 - A Capacity Plus radio can receive a wide-area call only, but can not transmit.
 - A call from a Linked Capacity Plus radio is received by the Capacity Plus radios at the same site.
- All the talkgroups used by Capacity Plus radios should be defined as local talkgroups in a Linked Capacity Plus system.
- In Capacity Plus, the Lost Detection Beacon Interval in the radio is higher than the repeater's. In LCP, the Lost Detection Beacon Interval must be the same in both radios and repeaters.

4.9 Digital Telephone Patch (DTP)

The MOTOTRBO Digital Telephone Patch is a Motorola proprietary feature introduced in software version R01.08.00.

This section specifically documents the major configuration planning and error-prone configuration details for phone patch calls. Other configuration details can be found in corresponding CPS manuals.

Unless specified otherwise, the configuration described in this section applies to all system configurations – Conventional Single Site, IPSC, Capacity Plus and Linked Capacity Plus.

4.9.1 Enable/Disable Phone Gateway Repeater for Phone Calls

When a repeater is connected to an APP box and used for phone calls, it is called a phone gateway repeater. Only phone gateway repeaters are capable of hosting phone calls. The repeater's radio ID is used as the target ID representing the landline phone user in an individual phone call. Hence, the ID must be different from any subscriber's radio ID or other repeaters' radio ID in the system.

The phone call duration is typically longer than a regular 2-way radio voice call. If the phone gateway repeater's TOT is set to be too short, it is possible that the timer expires and causes a brief interruption during a phone call. In order to eliminate such interruption and to provide a better end-user experience, it is recommended to set the timer to 300 seconds or longer.

Conventional Single Site or IP Site Connect

The APP box can be configured to support **none**, **one** or **both** of the channels of the phone gateway repeater for phone calls. If the APP box needs to support phone calls on only one of the channels, this channel has to be enabled as the phone gateway, while the other channel disabled on this repeater.

Example: In IPSC, the APP box may be configured to support one of the WACs, while another APP box at a different site may be configured to support the other WAC.

If the APP box needs to be used to support phone calls on both channels, both channels need to be phone gateway enabled. If the APP box cannot be used to support phone calls on either channels (although physically connected to the repeater), both channels need to be phone gateway disabled.

IP Site Connect

If there is a legacy repeater (prior to R01.08.00) on a WAC, any phone capable repeater needs to be phone gateway disabled for that particular WAC, because phone calls are not supported in legacy repeaters.

Capacity Plus and Linked Capacity Plus

Because the channels are trunked, the CPS configuration to support phone calls is at the repeater level instead of the channel level. The APP box can only be configured to support either both or none of the channels of the phone gateway repeater for phone calls. The radio ID value of the phone gateway repeater must not exceed 65535 (0xFFFF).

In Conventional Single Site, IPSC LACs and Capacity Plus configurations, once a repeater channel is phone gateway disabled, no phone calls can take place on this channel. However, in IPSC WACs, there may still be phone calls on the channel hosted by an APP box from another site. In Linked Capacity Plus, phone calls can be received from a remote site. However, a radio can initiate the phone call only from its current site.

4.9.2 Enable/Disable a Radio from Initiating/Receiving Phone Calls

A radio's capability of initiating/receiving phone calls can be enabled/disabled on a per digital personality basis. This is especially useful if there is a need to prevent a radio from participating in phone calls on some particular channels.

This configuration capability is done by connecting or disconnecting a phone system to the channel on the selected personality.

- **Conventional Single Site or IPSC LACs** - If a phone system is connected to the selected Home channel, the radio can initiate/receive phone calls, Otherwise, phone capability is disabled.
- **IPSC WAC** - If a phone system is connected to the selected Home channel (not the channel from the roaming list), the radio can initiate/receive phone calls from any site on the WAC. Otherwise, phone capability is disabled.
- **Capacity Plus** - If a phone system is connected to any channel from the channel list on the selected digital personality, the radio can initiate/receive phone calls on that channel. Otherwise, phone capability is disabled.
- **Linked Capacity Plus** - If a phone system is connected to any channel of the current site, the radio can initiate phone calls. Otherwise, phone capability is disabled. However, a radio can receive a phone call if a site in the system has a phone system.

4.9.3 Phone Channel Configuration

4.9.3.1 One APP Box per Repeater via 4-wire Interface

In all system configurations, the physical connection for DTP is the 4-wire interface between the repeater and the APP box, which is identical to the APP configuration. The physical connection is through the repeater's GPIO connector, with the following pins:

- TX Audio – Input impedance (AC) of 560 ohms, Single-ended
- RX Audio – Single-ended
- PTT – 5 v level GPIO
- COR – 5 v level GPIO
- Ground

4.9.3.2 Single Site

When a repeater is connected to an APP box in a Single Site configuration, both channels of the repeater can be used as phone channels. The phone calls on either of these two phone channels use the same APP box that is connected to the repeater.

Since both channels are phone channels, the radio or phone user needs to specify which channel to use when initiating the call. The radio user can manually switch to the phone channel where the call shall start on. The phone user can specify which channel to use when prompted for Target ID by the repeater.

4.9.3.3 IP Site Connect

Each logical channel (either WAC or LAC) can only use at most, one APP box, and the APP box can be connected to any repeater that is part of the logical channel. One APP box may support up to two logical channels if these two channels are on the same repeater that the APP box is connected to. However, only one logical channel can be supported at a time.

Similar to the call initiation in a Single Site configuration, the radio or phone user needs to specify which channel to use when initiating the call. The radio user can manually switch to the phone channel where the call shall start on. The phone user can specify which channel to use when prompted for Target ID by the repeater.

4.9.3.4 Capacity Plus

When a repeater is connected to an APP box in a Capacity Plus configuration, both channels of the repeater can be used as phone channels. The phone calls on either of these two phone channels use the same APP box that is connected to the repeater. In order to support phone calls, all voice repeaters in the system need to be upgraded to R01.08.00 or later.

The radio user does not select which phone channel to use when initiating a phone call because Capacity Plus is a trunked system. The system instead selects an available phone channel automatically for the call. When the phone user initiates the call, he/she calls the phone number of the APP box or PBX, but does not specify which channel of the repeater to use.

4.9.3.5 Linked Capacity Plus

When a repeater is connected to an APP box in a Linked Capacity Plus configuration, both channels of the repeater can be used as phone channels. The phone calls on either of these two phone channels use the same APP box that is connected to the repeater. In order to support phone calls, all voice repeaters in the system need to be upgraded to R02.01.00 or later.

The radio user does not select which phone channel to use when initiating a phone call because Linked Capacity Plus is a trunked system. The system automatically selects an available phone channel of the local site for the call. When initiating a phone call, the phone user calls the phone number of the APP box or PBX, but does not specify which channel of the repeater to use.

The radio user can initiate an individual phone call or a local talkgroup phone call or a wide-area talkgroup phone call based upon the selected personality. When roaming from one site to another, the radio user can only initiate the phone call on the roamed site. Initiating the phone call from the local site to the phone capable repeater on the remote site is not supported in a Linked Capacity Plus system.

4.9.4 APP Box Configuration

The DTP feature is designed to work with most of the COTS APP boxes. The APP box installed needs to have the type approval for the region that the system is deployed. One end of the APP box is connected to the PSTN or an extension of a PBX box, while the other end is connected to a MOTOTRBO repeater via the 4-wire interface. To work with the MOTOTRBO system, the APP box needs to be configured to use half-duplex mode. Depending on customer needs and the type of APP boxes, the following services can be optionally configured in the APP box:

- **Access and De-access Codes (10 characters maximum) -**
 - The access code is made up of an access command and a multi-digit access prefix. Nomenclature may vary based on the types of APP boxes. The access command is typically the asterisk (*) sign, but is programmable in most phone patches. The command is used to wake up the phone patch from the radio system, and is always required for most of the APP boxes. The multi-digit access prefix is used to limit radio user access and is optional. The prefix is usually up to four digits long. Some phone patches allow each prefix to be configurable to allow or block calls starting with 0, 1, 9, and so on. This essentially allows a group of radio users to have access to local dialing.
 - The de-access code is made up of a normal release command and a multi-digit release code. Nomenclature may vary based on the types of APP boxes. The normal release command is typically the hash (#) sign, but is programmable in most phone patches. The command is used to hang-up the phone patch from the radio system, and is always required for most of the APP boxes. The multi-digit release code is optional, and only used to limit who can hang up a phone call when required.
 - Multi-digit access prefixes and multi-digit release codes can be linked within most phone patches. This allows phone calls that are started with a particular access code to only be hung up on, with the linked de-access code. This is especially useful for Group Phone Calls since any user can attempt to hang up a phone call. Utilization of a particular access code for group calls that is linked to a de-access code most Radio Users don't have will limit who can hang up on a Group Phone Call.
- **Phone Usage TOT** - This defines the maximum duration of a phone call. If the phone call lasts longer than this timer, the APP box ends the call automatically. It is recommended to configure this timer appropriately according to the customer's phone usage.
 - **Mobile inactive timer** - If there is no radio activity for a period longer than the mobile inactive timer, the APP box ends the phone call automatically. It is recommended to configure this timer appropriately according to the customer's phone usage.
 - **Go ahead tone** - The phone user hears this tone when the radio user de-keys. If this tone is provided by the APP box, it is recommended to enable this option to improve the phone user's experience during a phone patch call.
 - **Busy Tone Disconnect** - When this APP option is enabled, the APP box ends the phone call once a PSTN busy tone is detected. It is recommended to turn on this option if it is provided in the APP box.

For further information on how to connect the APP box to the repeater, and APP box tuning details, please refer to the respective repeater service manuals.

4.9.5 Phone System Configuration

There are many phone related configurations that defines how a radio/repeater communicates with the PSTN and support phone calls in the radio system. To make the configurations easier, a data structure called "phone system" is introduced to group and encapsulate these configurations. Because radios and repeaters act in different roles in a phone call, the configurations encapsulated in the phone system are different for radios and repeaters. The phone system in a **repeater** includes configurations such as **de-access code**, **busy TOT** and so on. The phone system in a **radio** includes configurations such as **gateway ID**, **access code**, and others.

4.9.5.1 Configuring a Radio in a Phone System

For a radio, multiple phone systems can be created and configured via CPS. The phone system defines how the radio interacts with the PSTN via a particular APP box, hence a valid phone system must have a corresponding APP box in the system. However, a radio may interact with the PSTN via an APP box in different ways. Therefore it may have more than one phone system for a particular APP box.

Example: If there is only one APP box in the system, but if a radio uses different access/de-access codes on different digital personalities, different phone systems can be created and each phone system will have different access/de-access codes.

If a radio needs to initiate or receive phone calls on a selected digital personality, a phone system (or systems, in Capacity Plus and Linked Capacity Plus) must be linked to the channel (or channels, in Capacity Plus and Linked Capacity Plus) on per digital personality basis via CPS. The phone system linking varies according to different system configurations.

- **Conventional Single Site and IPSC LAC** - The phone system is linked to the channel whereby the corresponding repeater is physically connected to the corresponding APP box.

- **Capacity Plus** - Multiple phone systems may be available for a selected digital personality. A phone system is linked to the channel whereby the corresponding repeater is physically connected to the corresponding APP box.

- **IPSC WAC** - If there is an APP box on this WAC, the corresponding phone system must be linked to the selected Home channel even if the phone system is physically connected to a repeater at the remote site.

- **Linked Capacity Plus** - Multiple phone systems per site may be available for a selected digital personality. A phone system is linked to a repeater at the site whereby the corresponding repeater is physically connected to the corresponding APP box. The destination talkgroup ID of a phone-to-radio call determines whether a phone call is a wide area or a local area phone call. Note that if the destination is an individual radio, then the phone call is initiated at all sites. A radio can initiate the phone call only on its current site. A wide-area talkgroup phone call is successful when all associated sites within the talkgroup have an idle channel to host the call.

4.9.5.2 Configuring a Repeater in a Phone System

For a repeater, there is one and only one repeater-wide phone system. The user is allowed to configure the phone system but not allowed to create additional ones. Additionally, only the phone system in a phone gateway repeater needs to be configured.

4.9.6 Access/De-access Code Configuration

Access and de-access codes are encapsulated in the phone system. Depending on the customers' needs and the type of APP box installed in the system, access/de-access codes may be optionally required to initiate/end phone calls. Different sets of access/de-access codes can be used for initiating/ending different types of calls (e.g. long distance call, international call, etc). The codes are normally configured and supported in pairs in the APP box; if a particular access code is used to start the call, the corresponding paired de-access code must be used to end the call.

Additionally, administrator access/de-access codes may be used. The administrator codes have the highest priority, and can be used whenever access/de-access code is required. For example, the administrator de-access code can be used to end a phone call, regardless which access code was used to initiate the call.

A system may have more than one APP box installed, and these boxes may be used to simply expand the number of phone channels, or for different purposes. For example, one APP box may be used for international calls, while the other boxes to expand the number of channels. The access/de-access codes in these APP boxes may be configured similarly, or different depending on how phone privileges are assigned among the radios users. The configuration also depends on whether the codes are to be entered by the radio users, or configured in the radios.

4.9.6.1 Repeater Configuration

If a repeater is not used as a phone gateway repeater, there is no access/de-access code configuration for the repeater.

However, if the repeater is used as a phone gateway repeater, a de-access code must be configured in the repeater. This is mandatory even if the multi-digit release code part of the de-access code is not required; the normal release command part of the de-access code must be provisioned. The repeater needs the de-access code to end the phone call when the phone call needs to be ended by the radio system automatically, especially during an Emergency Alarm interrupt. Since the repeater can only hold one de-access code, this code configured in the repeater must be able to end any phone call supported by the APP box that is connected to the repeater. If the APP box supports administrator access/de-access codes, multiple sets of codes can be used in the system, and the administrator de-access code needs to be programmed in the repeater. However, if the APP box does not support administrator access/de-access codes, only one de-access code can be used for this connected APP box and the same de-access code must be programmed in the repeater.

NOTE: The APP box can still use different sets of access/de-access codes, but the de-access codes must be the same.

Otherwise, the repeater may not be able to send the appropriate de-access code to end the call when an Emergency is detected during a phone call.

Since a repeater only interacts with a connected APP box, the repeater configuration does not impact how the access/de-access codes are configured in other APP boxes in the system.

4.9.6.2 Radio Configuration

If access/de-access codes are not required for phone calls, there is no related access/de-access code configuration in the radio.

However, if required, the system can be programmed to have the codes stored in the radio and sent out automatically, or via some simple user interaction like pushing a button. Alternatively, the system can be programmed for the radio user to enter and send out the access/de-access codes manually when needed.

When the codes are configured in the radio via CPS, the radio uses the code programmed for the foreseen channel automatically, before initiating or ending a phone call on that particular channel. This process is transparent to the user. Hence, there is no restriction on the usage of multiple sets

of access/de-access codes for a particular APP box, or whether different APP boxes in the system can use different sets of access/de-access codes.

When the access/de-access codes are not programmed in the radio, the code configuration in the APP box is different depending on the system configurations.

4.9.6.2.1 Single Site or IPSC Systems

When a phone call is started, the radio user needs to select which channel to make the phone call. Therefore, the radio user knows which channel and which APP box the phone call is occurring on, hence which access/de-access code to use. In these system configurations, multiple sets of access/de-access codes can be used and the codes may differ in different APP boxes in the system.

4.9.6.2.2 Capacity Plus and Linked Capacity Plus Systems

Because the phone channel is selected by the system automatically, the radio user does not know the channel information when entering the access/de-access code. Therefore, multiple sets of codes can be used in a Capacity Plus system, but they must be the same in all the APP boxes if the codes need to be entered manually by the radio user.

4.9.7 Dual Tone Multi Frequency (DTMF) Configuration

During a phone call, the phone numbers are generated and go through the system in the form of DTMF tones. These DTMF tones interact with components that are not part of the MOTOTRBO system. For example, APP, PBX, PSTN, and others. Hence, the generated DTMF tones must be compliant with the local DTMF generating/receiving standards in order for these components to receive and understand the DTMF tones generated from the MOTOTRBO system. The following DTMF parameters are configurable both in the radio and repeater via CPS:

- DTMF Tone Duration
- DTMF Inter-Tone Delay

NOTE: DTMF Tone Level is a codeplug value, but not CPS configurable because it normally does not require change. DTMF Twist is not configurable and is always set to zero.

4.9.8 Ringing Modes

When a radio user calls a phone user, the phone keeps ringing until the phone user answers. Or, the radio user ends the call, or the call gets timed out by the PSTN.

When a phone user calls a radio user, there is only one ringing mode. The radio keeps ringing until the radio user answers the call, or the call gets timed out by the repeater.

When a phone user calls a radio group (talkgroup), there are two ringing modes. These modes are configurable in the repeater via CPS. The first method is where the radio keeps ringing until one of the targeted radio users answers the call by pushing PTT and talking back. Or, the call gets timed out by the repeater. The second ringing mode is to allow the phone user to talk immediately after the first ring. The second method allows phone users to talk first during a phone call.

4.9.9 Enable/Disable Manual Dial

Manual dial allows a radio user to enter the phone number manually using the radio keypad. To prevent misuse of the phone services in the system, this manual dialing option can be enabled/disabled via CPS on a radio wide basis.

4.9.10 Connecting APP Boxes to the Repeater in Capacity Plus and Linked Capacity Plus

In Capacity Plus, only the voice channel repeaters can be connected to the APP boxes to support phone calls. When connecting the APP boxes to the repeaters, it is highly recommended to connect the APP boxes to the repeaters with lowest possible rest channel priorities first. This balances the traffic on the channels. In such a configuration, the non-phone calls are likely to occur on the repeaters with higher rest channel priorities, while phone calls occur on the repeaters with the lowest rest channel priorities.

4.9.11 PBX Routing Configuration in Capacity Plus

PBX can be used with the DTP systems. However, if a repeater is disabled, the repeater does not inform the PBX that it is disabled. In this scenario, the administrator needs to take action to ensure that the PBX does not route the incoming call from the PSTN to the disabled repeater. Otherwise, the phone user will not be able to connect to the radio users.

PBX may have different priorities when PBX assigns the extension lines for incoming calls from the PSTN. In Capacity Plus, the traffic on a channel with higher rest channel priority is normally heavier than the channel with lower rest channel priority. Therefore, if the system has two or more APP boxes, it is recommended to have the PBX route the incoming phone call first to the APP boxes that are connected to repeaters with lower rest channel priorities. As a result, this balances the voice traffic on all channels.

4.10 Transmit Interrupt System Design Considerations

Transmit Interrupt is a very powerful feature; it is capable of remotely dekeying a radio that is transmitting interruptible voice. Hence, limiting access to these features only to responsible and well-trained radio users is important.

If a radio operates on a channel that supports Direct Mode Transmit Interrupt features, then the "TX Interrupt Direct Mode Compatibility" CPS field should be enabled. This is necessary to minimize potential collisions on the channel during a Direct Mode interruptible voice transmission. This field must be enabled in the CPS; both for Direct Mode channels where interruptible voice transmissions may be present, and Repeater Mode channels where interruptible voice transmissions may be made by some radios in Talkaround Mode. However, it is not necessary to enable this field for Repeater Mode channels where Talkaround mode is not supported by any radio.

4.10.1 Interruptible Radios

The first consideration associated to the Transmit Interrupt features is determining which radios' voice transmissions should be interruptible. For consistent behavior, the recommendation is that all radios operating on a channel should use interruptible voice transmission. However, it is desirable in some applications, to provide a small number of radios (e.g., normally supervisor radios) that are not interruptible.

This sets up a system where supervisors have the ability to interrupt non-supervisor's interruptible voice transmissions, but non-supervisors cannot interrupt supervisor's voice transmissions, because the supervisor radios do not transmit interruptible voice. When the system is configured as such, both the supervisor and non-supervisor radios may succeed at interrupting when a non-supervisor is transmitting interruptible voice, and fails at interrupting when a supervisor is transmitting uninterruptible voice. This situation may be perceived by some users as an inconsistent experience. If the system is set up in this manner, the users should be given training on the usage of Transmit Interrupt to better understand the difference in experience.

4.10.2 Voice Interrupt

During an interruptible voice transmission, a transmitting radio periodically checks its receive frequency and determines whether another radio is requesting an interrupt. Therefore, interrupting radios must transmit their interrupt signaling when the transmitting radio is checking its receive frequency. When only one radio within a group is capable of Voice Interrupt (e.g., a supervisor radio), then that radio uses one of the periodic signaling intervals to signal an interrupt request, if an interrupt is requested by the radio user.

When two radios are capable of Voice Interrupt (e.g., two supervisor radios), it is possible that both radio users request a Voice Interrupt at nearly the same time (i.e., during the time between two periodic signaling intervals). If this happens, it is likely that the interrupt procedure fails for both radios, due to a signaling collision that occurs during the periodic signaling interval and neither of the radios succeed at obtaining a clear channel on which to transmit.

Extending this discussion to beyond two radios (e.g., additional group members configured with Voice Interrupt capability), it becomes even more likely that more than one radio user requests a Voice Interrupt at nearly the same time, resulting in a signaling collision and a failed interrupt procedure. The likelihood of more than one radio user requesting a Voice Interrupt at nearly the

same time is difficult to predict or estimate, because this depends heavily on the usage characteristic profile of a particular system, operating procedures implemented by the system administrators, and the training provided to the radio users.

Example: Some systems may provide every radio user with Voice Interrupt capability and experience no signaling collisions resulting in Voice Interrupt failures. On the other hand, other systems similarly provisioned would experience many Voice Interrupt failures. Yet other systems may provide only a few radios users with Voice Interrupt capability, but experience high rates of collisions and Voice Interrupt failures.

NOTE: Performance varies by system.

To maintain radio user experience at an acceptable level, the following suggestions can be provided when training radio users on the desired usage of Voice Interrupt on a particular system:

- Provide the Voice Interrupt capability to only radio users that need to have such capability. Minimize the number of users within a group that have Voice Interrupt capability.
- Use good radio protocol. Keep transmissions as short as possible and wait until the transmitting radio user has stopped talking and dekeyed (e.g., wait to receive a Channel Free Tone) before beginning a new transmission.
- Be aware of situations near the end of a transmission when the radio user has stopped speaking, but has yet to dekey the radio.
- Create guidelines for acceptable use of the Voice Interrupt feature; define when it is acceptable to interrupt another radio user's transmission. (e.g., Voice Interrupt is only used when late-breaking information has become available that is critical to disseminate immediately.)
- Be aware of situations where the transmitting radio user says something that may elicit an immediate reaction from the listening audience, and either curb the desire to respond immediately or allow a designated radio user (e.g., a supervisor or dispatcher) to use Voice Interrupt to respond, to maintain order on the channel. Alternatively, train users to wait a short period of time before responding to the transmitting radio users.

4.10.3 Emergency Voice Interrupt

The Emergency Voice Interrupt feature is used only during emergency conditions, which are presumed to occur relatively infrequently and affect radio users individually. Based on these assumptions, it is appropriate to enable Emergency Voice Interrupt in every radio if so desired. If emergency conditions are expected to occur frequently or affect large groups of users (i.e., many radio users initiate emergency or are in an emergency condition simultaneously), then Emergency Voice Interrupt users may experience the collisions described in "Voice Interrupt" and Emergency Voice Interrupt may not perform to the end users' expectations.

In a Capacity Plus configuration, this feature is used to stop a voice transmission during an emergency based on the following two conditions:

- If all channels are busy, a radio starts an Emergency Call after interrupting an ongoing interruptible call on the busy Rest Channel.
- If an Emergency Call is active for the same talkgroup on channel 'c', a radio starts the Emergency Call on channel 'c' after interrupting the ongoing interruptible call.

4.10.4 Data Over Voice Interrupt

Data Over Voice Interrupt is not used by any data applications native to the radio (e.g., Text Message, Location, Telemetry). This feature is only available to third-party data applications on the option board or attached PC.

It is suggested that third-party data applications only invoke the Data Over Voice Interrupt feature for the most critical of data; data that is more important than the interruptible voice transmission on the radio channel. It is also suggested that the third-party data application be designed to ensure that system events common to multiple radios do not result in Data Over Voice Interrupt transmissions being initiated simultaneously. These guidelines are necessary to minimize the probability of Data Over Voice Interrupt signaling requests from colliding with one another. As discussed in the Voice Interrupt section above, it is likely that the interrupt procedure fails, and none of the radios succeed at obtaining a clear channel on which to transmit, when the signaling collides.

In a Capacity Plus configuration, a data message invokes this feature, dependent on the following conditions:

- If the radio is transmitting a voice call (either on a traffic channel or on a busy Rest Channel), the radio continues with the voice transmission.
- If the radio is on a busy Rest Channel (either listening or idling) and the data message must be transmitted on a Trunked Channel, this feature is used to stop the ongoing voice transmission.
- If the radio is listening to a voice call on a traffic channel (not on a busy Rest Channel) and the data message must be transmitted on a revert channel, the radio moves to a revert channel to invoke this feature.
- If the radio is listening to a voice call on a traffic channel (not on a busy Rest Channel) and the data message must be transmitted on a Trunked Channel, the radio moves to the Rest Channel to invoke this feature. However, if the Rest Channel is busy, this feature is then used to stop the ongoing voice transmission. Note that the receiving radio may be busy on another channel and there is no guarantee that the data message will be received.

In summary, a radio does not attempt to interrupt if:

- The radio is transmitting.
- The data message is for a revert channel.
- The Rest Channel is idle.

4.10.5 Remote Voice Dekey

The Remote Voice Dekey feature is capable of dekeying interruptible voice transmissions that the radio is either partied to, or not partied to. Alternatively, the radio user has the ability to remotely shut down a transmission that the user is not able to first monitor. Because of this, it is suggested that the Remote Voice Dekey feature be provided only to well-trained supervisors or radio technicians.

Operational procedures regarding appropriate use of this feature should be established to ensure that the user is not remotely dekeying critical voice transmissions. It is presumed that Remote Voice Dekey is not used frequently, therefore the collisions described in the Voice Interrupt section is not a major concern.

When operating in Capacity Plus mode, a radio can only dekey interruptible voice transmissions on its own channel. The radio is not permitted to dekey interruptible voice transmissions on other channels.

4.11 Restricted Access to System (RAS) Design Considerations

Historically, repeaters in the system were not well protected against unauthorized radio access. If an unauthorized radio user (outside of the system) wanted to utilize the repeaters for voice/data/CSBK communications, the user could have illegally programmed their radios with the system's channel information and gained access. It was not difficult to get the system's channel information – the unauthorized user could simply analyze OTA bursts, or just read the CPS configurations from any valid radio in the system.

The RAS feature is designed to prohibit unauthorized radio users from accessing the repeaters in the system. When this feature is enabled, the unauthorized radio user is restricted from using the repeaters in the system to transmit to the targeted user or user group.

This feature does not apply to Dual Capacity Direct Mode, Direct Mode or Talkaround Mode transmissions.

The RAS feature applies only to Digital, Single Site, IP Site Connect, Capacity Plus and Linked Capacity Plus system configurations. The usage and user experience in these systems are similar. In order to enable this system wide feature, all the repeaters in the system need to have RAS capability. This feature is software upgradable for all MOTOTRBO 8 MB and 32 MB repeaters.

This feature has no impact to the existing ADP interfaces except that the repeater notifies the relevant application when blocking of an unauthorized transmission has occurred. Further details are available in the ADP document.

This feature includes two independent methods: **RAS Key Authentication** and **Radio ID Range Check**. These two methods apply to all voice, data and CSBK calls of repeater mode. When used together, the combination provides a robust and flexible way to protect the system from unauthorized access.

4.11.1 RAS Key Authentication

In this method, both the repeater and subscriber are configured with a secret RAS authentication key. The length of the key can be 6 to 24 characters long, and may include numbers 0–9, alphabet letters A–Z, a–z, special characters like hyphen, underscore, dollar and pound signs. Similar to the enhanced privacy keys, the RAS authentication key cannot be read out via CPS or cloned from one device to another device once configured and written into the radio or repeater.

Therefore, an unauthorized user cannot see the key, nor clone more radios by simply obtaining a radio programmed with the valid key. Additionally, similar to the enhanced privacy keys, when configuring a RAS enabled radio, the user needs to remember and retype the key when writing back to the radio via CPS.

A subscriber uses its configured authentication key to encode the OTA bursts and generate a RAS enabled transmission. Upon receiving the bursts, the repeater also uses its configured authentication key to decode the bursts. If the authentication keys in the subscriber and repeater are the same, the repeater is able to decode the bursts correctly and repeat the bursts. However, if the radio does not have a RAS authentication key or its key does not match the one that is configured in the repeater, the decoding process in the repeater fails and the transmission is

blocked at the repeater. Therefore, the call bursts from the unauthorized subscriber are not repeated and cannot reach the targeted user or user group.

Each system only needs one RAS authentication key, all the repeaters in a system are provisioned with only one key. To simplify the key configuration in a multi-repeater systems, the key only needs to be configured in the master repeater. Subsequently, the key is propagated to all the other peer repeaters automatically. The repeater, and eventually the system may be configured in only one of the three RAS modes:

- **RAS Disabled:** When the repeaters are configured in RAS disabled mode, the RAS key authentication method is not used. Hence the system supports calls from RAS disabled subscribers and legacy subscribers, including third party compatible subscribers, but not RAS enabled subscribers.
- **RAS Enabled:** When the repeaters are configured in RAS enabled mode, only RAS enabled subscribers with valid keys are supported and can successfully make calls through the repeater.

NOTE: The system must not be configured in RAS enabled mode until all the repeaters and subscribers have been upgraded to have RAS capability. Otherwise, the repeaters or subscribers that are not RAS capable will not be able to operate normally in the system.

- **RAS Migration:** When the repeaters are configured in the RAS migration mode, the repeater accepts both DMR transmission and RAS enabled transmission in the repeater inbound. If the inbound is DMR transmission, the repeater repeats it out as is. If the inbound is RAS enabled transmission, the repeater converts it to DMR transmission and repeats it out. Therefore, in the RAS migration mode, the system supports all subscribers including RAS disabled, RAS enabled with the valid RAS key and legacy subscribers. The RAS migration mode is recommended when installing a new system, migrating a legacy system to RAS enabled mode, or in any cases where the system needs to support both legacy and RAS enabled subscribers.

Example: When migrating a legacy system, the administrator may first provision the key to all the repeaters and let the system to operate in the RAS migration mode. Next, the administrator could use the CPS or OTAP to provision the key to all the subscribers in the system. Since the system operates in RAS migration mode, both the legacy subscribers and the RAS enabled subscribers with the valid key can operate in the system normally and make successful calls through the repeater. After all the subscribers are provisioned with the key, the administrator can change the system to operate in RAS enabled mode to prevent any unauthorized subscribers from accessing the system. Therefore, the RAS migration mode provides smooth system installation and migration without interrupting the services.

However, a subscriber can be configured only in two RAS modes:

- RAS Enabled, or
- RAS Disabled.

When the subscriber is RAS disabled, it is not able to transmit or receive RAS enabled transmission, hence operates only in a RAS disabled or RAS migration system. When the radio is RAS enabled, it always transmits the RAS enabled bursts, but receives both DMR bursts and RAS enabled bursts. Therefore, RAS enabled subscribers can operate in RAS migration or RAS enabled systems.

A radio may operate in different systems and these systems may have different RAS keys; up to 16 keys may be provisioned and associated to different digital personalities. When a digital personality is not associated with a key, the radio is considered as RAS disabled when this personality is selected. When the digital personality is associated with a key, the radio is considered as RAS enabled, and uses the particular key that is associated. In this way, if the radio needs to operate in a different system, the radio user can select the appropriate personality with the corresponding key.

When a RAS enabled subscriber transmits in Dual Capacity Direct Mode, Direct Mode, or Talkaround Mode, it always transmits DMR bursts. However, when receiving, it can receive both DMR bursts (from other subscribers) and RAS enabled bursts (from the repeater outbound).

4.11.2 Radio ID Range Check

In this method, only the repeater needs to be configured via CPS. Up to 64 radio ID ranges may be provisioned in the repeaters. For a multi-repeater system, all the repeaters need to be software capable of the RAS feature. However, the configuration can and only needs to be done in the master repeater, and is propagated to other peer repeaters automatically. Each of the radio ID ranges may be configured as allowed or left as un-configured. When the repeater receives a transmission from a subscriber, it checks whether the subscriber's radio ID is within any of the allowed ranges. If it is, the repeater repeats this transmission. Otherwise, the repeater blocks the transmission. In this way, the transmission from unauthorized subscriber users can be blocked.

In comparison to the RAS key authentication method, this method is much easier to use to configure and maintain the system, because only the repeater needs to be configured. However, this method has drawbacks if used alone, since the unauthorized user may figure out some allowed radio ID ranges by reading a valid subscriber, or analyzing the bursts over-the-air, or simply just guessing. The user can then easily program radios with radio IDs in the allowed ranges.

Additionally, the radio ID check method can only prevent the unauthorized radio from transmitting to its target, but can not prevent it from receiving while the RAS key authentication method can perform both. For this reason, it is always recommended to use both methods together. The RAS key authentication provides a very robust way to prevent unauthorized repeater access and is extremely difficult to hack. It can be used as the primary method.

Moreover, radio ID range check provides a flexible way to manage the system and make minor changes.

Example: If the system is hosting customers A, B, and C, the system administrator could provision the whole system with a RAS key and operate in the RAS enabled mode. Secondly, the system administrator could create different radio ID ranges for these three customers. If for some reason, a customer, for instance, customer B needs to be excluded from the system temporarily, the administrator could uncheck the radio ID ranges that customer B's radios fall into, and the system access of the radios in the entire range will be blocked. When customer B needs to be allowed back into the system, the administrator can simply mark these radio ID ranges as allowed.

4.12 Data Sub-System Design Considerations

4.12.1 Computer and IP Network Configurations

The data applications in a MOTOTRBO system utilize IP/UDP communications, therefore it is necessary to design the IP configuration of the data capable devices. Although complex, it is important to understand how data traffic is routed from one radio to another in a MOTOTRBO system. This section details the different connects, and where they are used within a MOTOTRBO system.

4.12.1.1 Radio to Mobile Client Network Connectivity

As described in earlier chapters, the MOTOTRBO radio connects to a computer via USB. Once connected, the PC detects the connection, loads a driver, and establishes a new network interface. This network interface looks similar to a LAN or WLAN network interface to the PC. The radio acts like a DHCP server providing the PC with an IP, and setting its own IP as the default gateway.

The Radio IP address used for this connection is programmed into the MOTOTRBO radio in the network settings of the CPS. The Accessory IP value is not editable in the CPS. It is derived based on the Radio IP. The first 3 octets are the same as the radio IP, the last octet will be the Radio IP value +1 (for example, if the Radio IP is 192.168.10.1, the Accessory IP will be automatically updated to 192.168.10.2).

- Accessory IP – provided via DHCP to the Network Interface on the PC
- Radio IP – used by the Radio to communicate with the PC
 - provided to the PC as the default gateway

These IP addresses are only used for communication between the MOTOTRBO radio and the connected PC. It is recommended that the default values (Radio IP: 192.168.10.1, Accessory IP: 192.168.10.2) be used in all mobile client configurations. In other configurations where multiple MOTOTRBO radios are connected to one PC, these values need to be different to prevent IP conflicts.

If the default IP address programmed in the radio, or the one provided to the PC conflicts with other network interfaces on the PC, then the Radio IP should be changed using the CPS. The radio also allows for the default UDP ports for the ARS, Text Message and Telemetry applications to be changed if there exists conflict within the PC. These UDP ports will need to be updated in the application configuration as well. Again, it is recommended that the default values be used whenever possible.

For best results, it is recommended that mobile clients do not have additional network interfaces. Additional static routes may need to be manually entered in the mobile client PC if multiple interfaces are present. It is also recommended that any applications that attempt to broadcast network traffic be disabled in the PC. Unnecessary traffic sent to the MOTOTRBO radio may cause undesired congestion over-the-air.

The simple diagram below displays the IP connectivity between the Mobile Client and the MOTOTRBO radio. Note that because these IP addresses are private and only used between the

radio and the Mobile Client, it is recommended that they be duplicated on all Radio/Mobile Client configurations in the system.

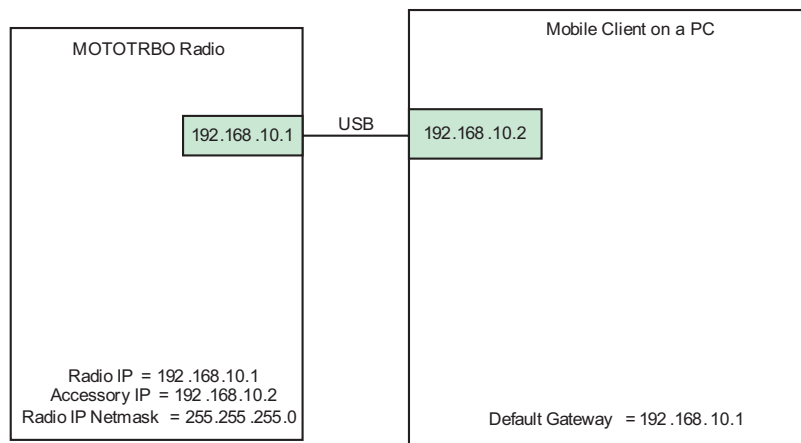


Figure 4-22 Connectivity between the Mobile Client and the MOTOTRBO Radio

4.12.1.2 Radio to Air Interface Network Connectivity

The MOTOTRBO radio must have an IP address to communicate with the MOTOTRBO network and other radios. The radio and the system uses the Individual Radio ID and CAI Network Address to construct its Radio Network IP to ensure uniqueness. The Individual Radio ID is found in the General Settings section of the radio CPS, and the CAI Network Address is found in the Network Settings section.

A Radio ID in MOTOTRBO is a 24 bit number that can range from 1 to 16776415, and is written in decimal format in the CPS. In Capacity Plus and Linked Capacity Plus, the Radio ID is a 16-bit number (from 1 to 65535), which can be treated as a 24-bit number where the most significant 8 bits are zero.

For example, the Radio ID 16776415 is represented by a hexadecimal 24 bit number as FFFCDF. When broken into three 8 bits sections, this becomes FF, FC, and DF. This in decimal is 255, 252, and 223. Therefore, a radio that is configured with an Individual ID of 16776415 and a CAI Network address of 12 (the default), will have a Radio Network IP address of 12.255.252.223. Below are a few more examples (all assuming the default CAI Network address of 12):

Unit ID = 00012045
 Convert to Hexadecimal = 002F0D
 Separate into 8 bit sections = 00, 2F, 0D
 Each 8 bit section represents 1 octet of the IP address
 Convert each section into decimal = 00, 47, 13
 Assemble IP address from conversion above = 12.A.B.C where
 A = The first 8 bit section in decimal format. In this example, A = 0
 B = The second 8 bit section in decimal format. In this example B = 47
 C = The third 8 bit section in decimal format. In this example C = 13

The IP address for Unit ID 12045 is: 12.0.47.13

Unit ID = 00000100

Convert to Hexadecimal = 000064

Separate into 8 bit sections = 00, 00, 64

Each 8 bit section represents 1 octet of the IP address

Convert each section into decimal = 00, 00, 100

Assemble IP address from conversion above = 12.A.B.C where

A = The first 8 bit section in decimal format. In this example, A = 0

B = The second 8 bit section in decimal format. In this example B = 0

C = The third 8 bit section in decimal format. In this example C = 100

The IP address for Unit ID 100 is: 12.0.0.100

Unit ID = 05000032

Convert to Hexadecimal = 4C4B60

Separate into 8 bit sections = 4C, 4B, 60

Each 8 bit section represents 1 octet of the IP address

Convert each section into decimal = 76, 75, 96

Assemble IP address from conversion above = 12.A.B.C where

A = The first 8 bit section in decimal format. In this example, A = 76

B = The second 8 bit section in decimal format. In this example B = 75

C = The third 8 bit section in decimal format. In this example C = 96

The IP address for Unit ID 05000032 is: 12.76.75.96

The MOTOTRBO data applications, both in the radio and externally on the PC, perform this conversion to an IP address when sending and transmitting. Understanding this conversion is important, because it is possible to send traffic directly to the IP address of the radio, though in most cases this happens transparently to the user. For example, if a user creates a text message, and selects a user from the address book with an Individual Radio ID of 12045 (which can be aliased), the text message is sent over-the-air to radio 12045, and is addressed to IP Address 12.0.47.13. When radio 12045 receives the over-the-air data message, it opens the data message and looks at the target IP address. Because the target IP address matches its own IP, the message is sent to the internal radio application. The target application is dependent on the UDP port number and the destination address used at the source.

If the target of a data message is an external PC connected to the MOTOTRBO radio, the sending device will use an IP address with the CAI Network address plus 1. For example, if a MOTOTRBO radio receives a data message for its Radio ID (12045), and the data message inside is targeted towards the address 13.0.47.13, it will forward that message to the connected PC.

For ease of use, the MOTOTRBO radio has the option to be configured with a "Forward to PC" option, which is available in the Network settings of the radio CPS. With this option enabled, all messages targeted to both the 12.x.x.x and 13.x.x.x addresses are routed to the PC. It is recommended that this option be chosen whenever a MOTOTRBO radio is connected to the Application Server. The "Forward to PC" option also applies to a MOTOTRBO radio (portable or mobile) installed in a mobile environment, i.e. a vehicle, or in a fixed location (a mobile in a tray located on someone's desk). If a radio is not connected to an external PC, the "Forward to PC" option should be disabled.

It is recommended that the default value of the CAI Network address is used. If this value is changed, all MOTOTRBO radios in the system must be updated with the same CAI Network

address. Also available for configuration is the Group CAI Network address. This is used for broadcast data messages. Again, it is recommended that this value remain at its default value.

Figure 4-23 displays the IP connectivity with the radio network. Also included is a simplified Network Address Table (NAT) that shows how the over-the-air traffic is routed to either the Radio or the Mobile Client. The NAT is a translation table within the MOTOTRBO radio that allows packets to be routed from the PC through the radio and over-the-air to the destination address. As previously mentioned, when the “Forward to PC” option is selected, traffic for both the 12.x.x.x and 13.x.x.x addresses is forwarded to the PC. If disabled, that NAT table would show the 12.0.47.13 traffic being routed to Radio IP of 192.168.10.1. This is the common configuration for MOTOTRBO radios that are not connected to an external Mobile Client.

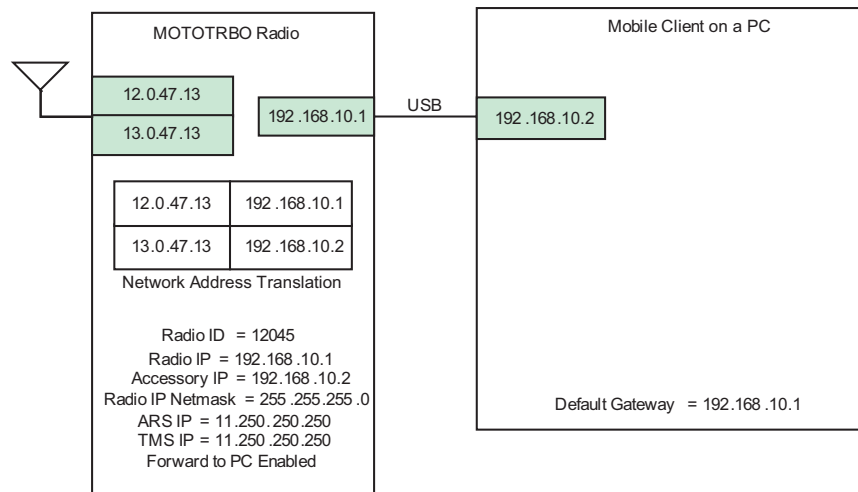


Figure 4-23 Air Interface Network Connectivity

4.12.1.3 Application Server Control Station Network Connectivity

In some system topologies described in previous sections, the Application Server is required to service up to 16 different channels. This requires the Application Server to have a network connection of up to 16 control stations at the same time. Similar to the Mobile Client configuration, when each control station is connected to the Application Server via USB, a network interface is created for each. Each interface is provided the IP address configured as the Accessory IP in each control station. It is important that the Radio IP and the Accessory IP of the four control stations be different from each other to prevent IP conflict and therefore routing problems in the Application Server. The following IP configuration (for four control stations) is recommended:

	Radio IP	Accessory IP/PC Network Interface IP
Control Station 1	192.168.11.1	192.168.11.2
Control Station 2	192.168.12.1	192.168.12.2
Control Station 3	192.168.13.1	192.168.13.2
Control Station 4	192.168.14.1	192.168.14.2

The Individual Radio ID, and therefore the Radio Network IP Address, is very important when configuring the Application Server control stations. Unlike the Radio IP and Accessory IP, the control station's Radio Network IP should be identical. Each control station should be programmed with the same Radio ID, to enable field radios to communicate with the Application Server regardless of what channel they are on. Although it was mentioned that MOTOTRBO radios should not have duplicate Radio IDs, the control stations are the exception. Because control stations are intended to remain on a single channel, they will always be monitoring the same channel. Although this Radio ID of the control stations can be any valid Individual ID, they must be unique, and not duplicate any non-Control Station radio ID. The suggested Radio ID for the Control Stations is 16448250 which converts to an easy to remember IP address of 12.250.250.250 and 13.250.250.250. Since this Radio ID is so large, it is unlikely to be duplicated on other radios.

It is important to note that every MOTOTRBO radio in the system that is intended to communicate with the Application Server must be programmed with the Application Server control station IP. This value must be entered for both the Automatic Registration Service (ARS) IP and the Text Message Server IP, which can be found in the Network settings of the MOTOTRBO radio CPS. Because the Application Server is the target for these messages, the 13.250.250.250 IP address should be programmed into every field radio. For radios that will use the Mobile Text Messaging Client application installed on a PC connected to the radio, the 13.250.250.250 IP address should also be programmed into the application.

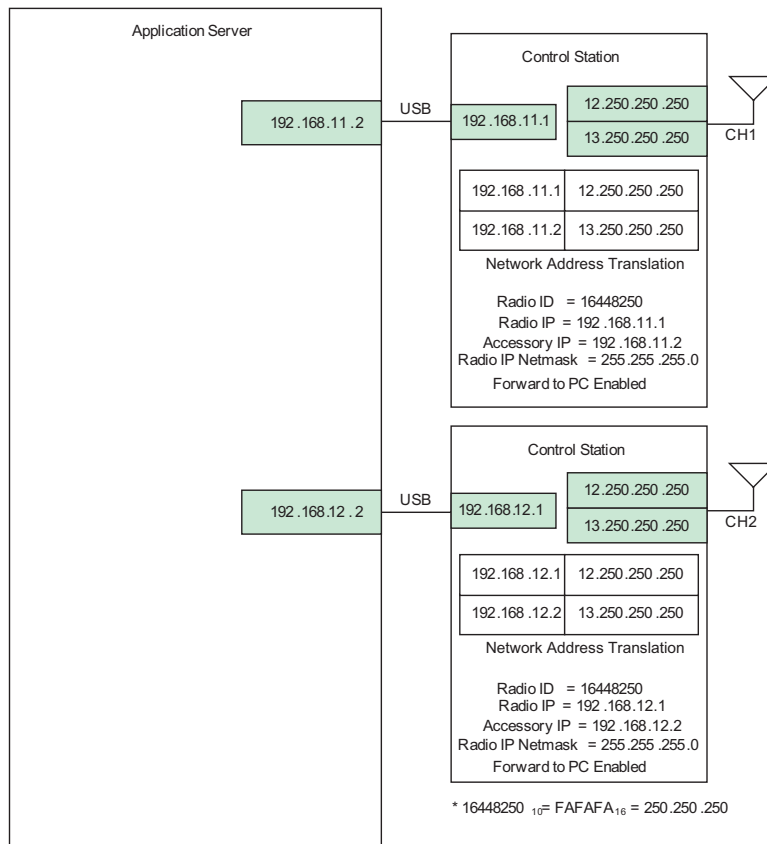


Figure 4-24 Application Server Control Station Network Connectivity

As previously discussed, the control stations should be configured with the option to “Forward to PC” so that all data traffic the control station receives is forwarded to the Application Server.

4.12.1.4 Control Station Considerations

Because the control stations connected to the Application Server act as the data gateway for the system, the control stations themselves do not require an Automatic Registration Service (ARS) IP and the Text Message Server IP to be specified in their CPS Network settings. These fields should be left blank. In addition, the control stations should also have the ARS and GPS options disabled. These settings are not required for these control stations since they will not be transmitting their own GPS or ARS anywhere. There is no need for these control stations to be ordered with GPS capability.

Although it is possible to use the control stations connected to the Application Server for voice, it is highly recommended that they only act as data gateways. Since control stations (except for Trunked Control Stations) must remain on a single channel in order to receive the inbound data, it is recommended that they only contain one channel in their channel list. The Trunked Control Stations must have a list of all Trunked Channels. Control stations should not have scan enabled. This will guarantee that the Application Server is always monitoring the correct channel. Since the control stations will only be used for data, there is no need to program any receive or transmit

Groups on the channel. In other words, the Contact Name and the Group List can both be set to a value of *None*. Similarly, it is not necessary to provision any emergency settings either.

It is important to set the TX Preamble duration of the control station to be the same as the other radios in the system. Since most data will be targeted towards these control stations, the proper preamble must be utilized. Use the same guidelines for setting this duration in the control stations as was used in the fielded radios.

The admit criteria of the control station should match the settings which the other radios on the channel are provisioned for. The suggested setting is *Color Code Free* unless there are analog signals on the channel that the data needs to avoid. If there are analog signals on the channel that the data needs to avoid, then choose *Channel Free* instead.

When considering other CPS options of the control station, it is a good rule of thumb to minimize the feature options available. This will guarantee that a user cannot accidentally place the control station in a state where it is not monitoring inbound data traffic.

In almost all scenarios, it is highly recommended that a mobile radio with an AC power adapter be utilized as the data gateway. Although a portable radio can temporarily be used for this purpose, it is not recommended for long term installations. The primary reason why a mobile is recommended for this purpose is its ability to remotely locate the RF antenna. This is important since computers and their components are sometimes sensitive to RF power. Mobile antennas should be located away from the server itself and isolated from each other. For example, if a server has four control stations connected to it, it is recommended that the antennas be installed on the roof of the building and separated enough from each other so that they do not interfere. This is also important since in-building coverage is sometimes difficult to achieve. All inbound data messages will pass through these control stations so it is important that they are within good RF coverage of the repeater. Additionally, a control station is left powered on all the time. A portable continuously powered on in a charger is more likely to encounter power related failures.

In conventional systems, if a control station does power off or power cycles, host-specific routes will be removed from the Application Server's routing tables. In these situations, the Application Server to radio data increases the system load as it has to be transmitted by all connected control stations. The actual load increase is based on the amount of Application Server to radio data. This load increase gradually dissipates as the radios re-register with the Presence Notifier and the host-specific routes are added back into the routing table. However, it is recommended to connect control stations to an Uninterrupted Power Supply (UPS) and are never powered off and on while radios are registered with the Presence Notifier.

In trunked systems, if a Revert Control Station powers down, then the radio to the Application Server data increases the load on the rest of Revert Control Stations. When the failed Revert Control Stations power on, the load is automatically distributed on all the Revert Control Stations. If a Trunked Control Station powers down, then the Application Server is unable to send data to the radios allocated to the failed Trunked Control Station. Therefore, it is recommended to connect Trunked Control Stations to an Uninterrupted Power Supply (UPS) or to have redundant Trunked Control Stations.

During the registration process with the Presence Notifier, the radio is instructed to refresh its registration at a specific time interval. The default time interval is 4 hours, though this is a configurable parameter in the Presence Notifier. If the time interval is decreased, more registration messages are sent to keep the presence availability information fresh but the system load is increased. If this time interval is increased, the system load is decreased but the presence availability information may become stale.

In conventional systems, once a radio is registered with the Presence Notifier, the MCDD adds a route to a routing table, so data messages from the Application Server to the radio are transmitted on the correct channel. However, if for some reason the host-specific route does not exist, then the Global Route is used and the data message will be transmitted from all control stations connected to the Application Server. This scenario increases system loading during situations where there is Application Server to radio data. An example of this would be network (Text Message Server) sourced text messages targeted towards subscribers in the field.

4.12.1.5 Multi-Channel Device Driver (MCDD) and Required Static Routes

In conventional systems, the Application Server can have up to 16 different network interfaces that access the radio network. In order for data messages targeted towards Radio Network IP addresses, such as 12.0.0.1 and 12.0.47.13, to transmit out through a network interface with IP addresses 192.168.11.2 or 192.168.12.2, the MCDD is required to add routes for each radio that registers with the Presence Notifier. For example, when radio 12045 transmits a registration message to its programmed ARS IP address (e.g. 12.0.47.13) on one of the channels monitored by a control station, the control station forwards that address to the Application Server through its network interface (e.g. 192.168.11.2). The MCDD then automatically adds a route for that radio IP (12.0.47.13 and 13.0.47.13) to the 192.168.11.2 network interface. Once that is done, if a message from the Application Server needs to reach 12.0.47.13 or 13.0.47.13, the message is routed to the 192.168.11.2 network interface, and therefore out the correct control station and correct channel that has registered radio 12045. This is how data messages are sent out on the correct channel for a radio.

Additional steps are required to route multicast traffic. Multicast traffic is traffic destined for radio groups. The routing table in the PC must be modified to allow for multicast traffic. Please see the MCDD install manual for details.

Installation of the MCDD is not required in Capacity Plus.

4.12.1.6 Application Server and Dispatcher Network Connectivity

As described in previous chapters, the Application Server can also be configured with a LAN connection to the Customer Enterprise Network (CEN). A few restrictions apply to the network configuration between the Application Server and the Dispatch clients. In most customer cases, the LAN interface on the Application Server is connected to their pre-existing network. The only requirement is that the assigned IP of the LAN network interface must not conflict with those assigned to the Network Interfaces of the Control Stations. Additionally, the Application Dispatchers (such as Location Dispatch or Text Message Dispatch) must be connected through the customer CEN to the Application Server. In order for the Text Message Server to forward e-mail text messages, the Application Server must be connected to the Internet. If the network is configured to operate with a firewall, the programmed ports for the applications should be opened and allowed. Details of this configuration can be found in the Text Message and Location Application install guides.

4.12.1.7 MOTOTRBO Subject Line Usage

A MOTOTRBO Text Message is comprised of three parts: A subject line, subject line delimiter and body. The subject line delimiter is a carriage return (Unicode code point U+000D) and line feed (Unicode code point U+000A) character pair (CRLF). Therefore, anything up to the first CRLF within the Message is interpreted as the subject line and anything after the first CRLF is interpreted as the body. The subject line is left blank if there are no characters before the first CRLF, or if no CRLF pairs are contained in the Message.

When e-mail text messages are received by the Application Server the e-mail subject line and body are converted into the MOTOTRBO Text Message subject line and body respectively.

The maximum length of a MOTOTRBO Text Message is technically 140 characters according to the protocol. However, applications that support the use of Subject Lines may reduce the number of the effective payload. The Customer Programming Software (CPS) and the applications in the radios that create text messages will limit the effective payload to 138 characters. External applications that run on Personal Computers (PC) may further reduce the effective payload to provide indications that messages have been truncated (for example replacing the last character with a horizontal ellipse character '...'). E-mails that are longer than 138 characters will be truncated to fit. For example, if an e-mail is received with a 200 character subject line and a 300 character body only the first 137 characters of the subject line plus a horizontal ellipse '...' at the end is converted into the MOTOTRBO Text Message and the rest of the e-mail will be discarded. In another example, if an e-mail is received with a 100 character subject line and a 300 character body, then the 100 characters of the subject line and the first 37 characters of the body with an ellipse added at the end will be converted into the MOTOTRBO Text Message format.

Radios replying to messages preserve the original message's subject line. In this manner, external services and solutions that use e-mail for communication can use the content of the subject line to correlate between e-mails that are sent and e-mails that are received. For example, an automated service could send out an e-mail with a unique ID string in the subject line. If a radio replies to the message, it preserves the subject line with the unique ID string and the automated system can use the address and subject line of the message to know that a specific unit had replied to a specific message.

The number of characters allowed in a reply by a radio are equal to 138 characters minus the number of characters in the subject line. For example, if an e-mail is sent with a 30 character subject line and a 100 character body, the entire message will be received by the radio. When the radio replies to the message the subject line is automatically preserved leaving 108 characters for the radio to reply with.

MOTOTRBO Text Messages that originate from the front panel of radios or the Text Messaging Client via the Application Server and destined for e-mails addresses will contain blank subject lines. Radios do not have the capability to create or modify a subject line from the front panel. The CPS does not have the capability to create a subject line.

4.12.1.8 MOTOTRBO Example System IP Plan

The following diagram is an example of the information contained in the previous sections. This diagram shows a configuration of multiple digital repeaters at a single site functioning in conventional repeater mode. It should be used as a guideline for configuring a MOTOTRBO System.

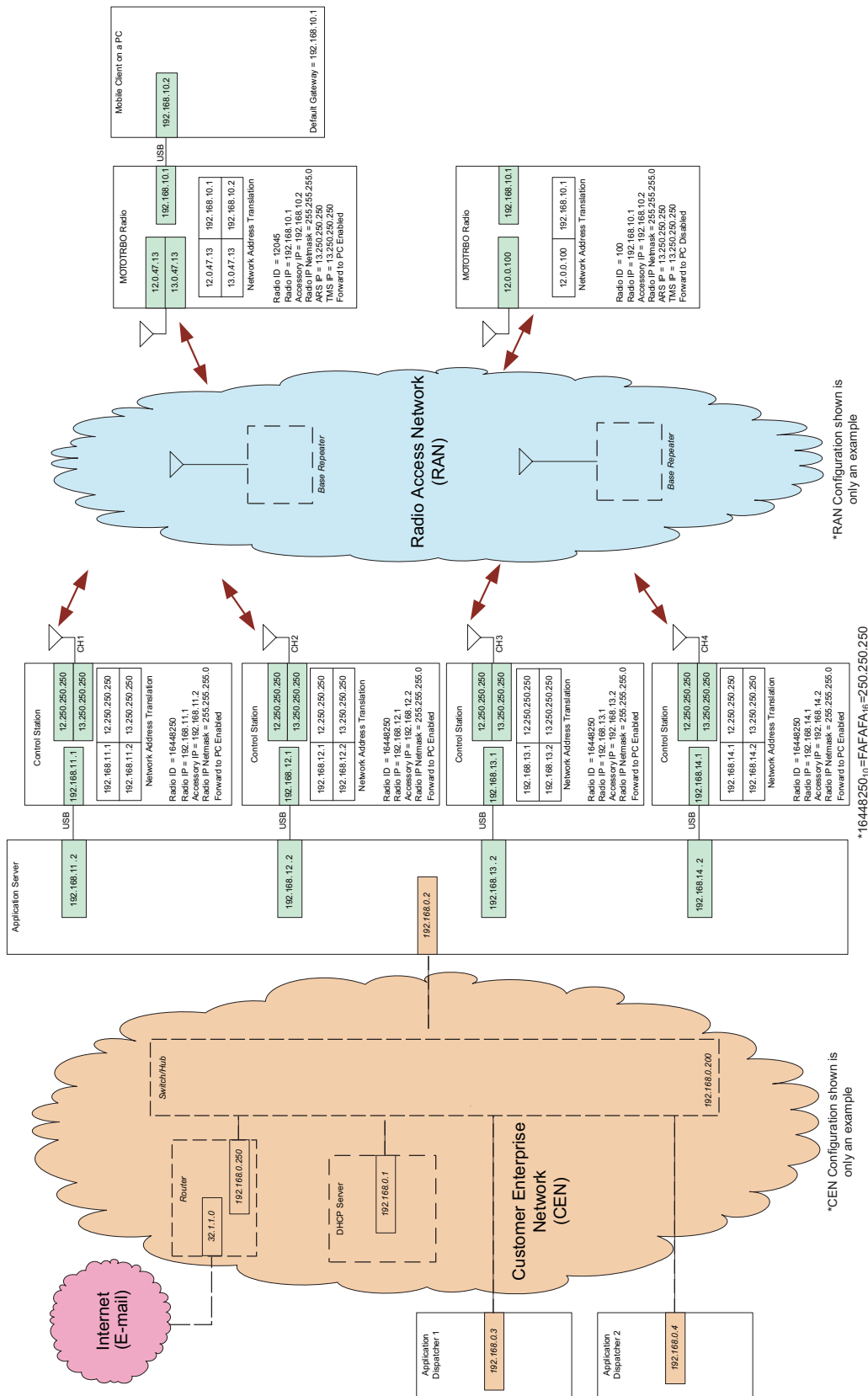


Figure 4-25 Example MOTOTRBO System IP Plan

4.12.1.9 Application Server Network Connection Considerations

Besides being connected to the radio network via the control station(s), the Application Server may also be connected to another network such as the Internet. When operating under these conditions, it is important to consider the following:

- Disable all protocol support except for TCP/IP.
- Ensure networking application messages are routed to the Ethernet connector or the wireless network interface and not to the network connection to the control station(s).

Sometimes, the Application Server is connected to the radio network via the control station(s). When operating under these conditions, it is important to remember that all network traffic generated by the Application Server will be routed to the control station(s). In order to optimize the radio network, these messages should be kept to a minimum. The following items should minimize the amount of network traffic being routed to the control station(s).

- Disable all protocol support except for TCP/IP.
- Turn off the PC wireless network interface.
- Do not launch any networking application (i.e. internet browser, e-mail, etc.).
- Disable all automatic updates for network applications that are running in the background, such as virus updates, IM updates, Windows updates, etc.

4.12.1.10 Reduction in Data Messages (When Radios Power On)

When a radio powers on, up to eight data messages are exchanged between the radio and the Server. This may cause congestion in the channels if many radios are powered on within a short duration. The situation worsens if one or more data messages are lost due to the overflow of queues or poor RF transmission conditions. A loss of message causes multiple retries both at the Data Link and Application layers. These additional messages cause further congestion of the data channels.

An example of a use case where a set of mobile radios are powered on within a short period is a Bus Depot. Buses have mobiles to facilitate the tracking of buses from a central location. The MOTOTRBO mobiles have built-in GPS receivers that send the location of a bus periodically. Generally, the buses leave the depot within a short period of each other. All the mobiles in the buses may power up within this period, jamming the channels and hence delaying the registration of mobiles. In this case, the locations of buses are not available at the central location until the registration process completes successfully.

MOTOTRBO provides two mechanisms to reduce the number of data messages triggered by powering a radio. The total reduction is up to one fourth of the original number of messages exchanged between a radio and the Server, i.e. the number of data messages reduces to two. The two mechanisms are described below.

The presence of a radio triggers a Text Messaging application to send a message to the radio. This message is called the Service Availability message and it contains the IP address of the Text Messaging application and the services offered. To reduce the number of Service Availability messages, a customer should do the following:

- Pre-configure the radio with the IP address (as seen by the radio) of the Text Messaging Server using CPS.

- Configure the Text Messaging application **not** to send the Service Availability message when the radio powers-on.

In the absence of the Service Availability message, a radio uses its pre-configured values for the IP address of the Text Messaging Server. If the Text Messaging Server sends the Service Availability message, then the radio overwrites its values with the values from the received message and stores it persistently. The persistent storage of IP address avoids the need to send the Service Availability message if the IP address of the Text Messaging application remains the same. Upon change of the IP address, a customer should enable the Text Messaging application to send the Service Availability message. Once all the radios have received the Service Availability message, the customer can disable the sending of Service Availability messages.

The presence of a radio also triggers the Location Application to send two requests to the radio: one for location update on emergency and the other for periodic location updates. To reduce the number of messages, the radio saves the requests persistently and the Location Application allows the customer to enable/disable the transmission of the requests, when a radio registers its presence. It is not possible to configure requests in a radio using CPS. A radio without requests should undergo an initialization process. During initialization, the Location Application sends the required location requests to the radio. A radio needs to be initialized only once. If a customer needs to change the IP address or the UDP port number of the Location Application, then the Location Application should delete the requests from all the radios before it changes its address. As it is not always possible to satisfy the above condition, MOTOTRBO provides an alternative to delete all the requests in a radio using the CPS.

NOTE: This feature was introduced in software version R01.05.00. Text Messaging and Location Applications compatible with older software versions may not support this feature. All customers are encouraged to verify their applications for feature compatibility.

4.12.1.11 Optimizing for Data Reliability

It is important to exercise care when optimizing voice quality in two way radio systems such as MOTOTRBO. This commonly consists of verifying if the RF signal, both inbound and outbound, is adequate enough in the desired areas to provide an acceptable level of voice quality. The radius from the transmitting tower that yields the acceptable level of voice quality is often referred to as the coverage of the system. On the fringe of this coverage, voice quality may experience degradation due to errors.

The human mind (with help from the vocoder) can mitigate the loss of a few random syllables of speech and still understand the intended meaning of a spoken sentence. However, when attempting to deliver data to the radios on the fringe, a data application cannot usually just ignore a few errors and still understand the full message.

It is important to understand that there is a probability that data incurs an uncorrectable error when received at particular signal strength, known as Block Error Rate. As the amount of data to be transmitted increases, there is an increasing probability the data message has an error. Because of this, it is more difficult to deliver a long data message without errors to the fringe than a short data message. Another way of looking at this is a short data message can be delivered farther away without errors than a long data message.

To optimize data for reliability, the user should:

- Use confirmed individual data

- Minimize application data payload size
- Disable UDP header compression
- Enable enhanced channel access

4.12.1.11.1 Use Confirmed Individual Data

MOTOTRBO radios can be configured to send individual data messages confirmed or unconfirmed at the link layer. Group data messages (those targeted towards talkgroups) are always sent unconfirmed. If sending long data messages, it is always recommended to use individual confirmed messaging to achieve the best reliability.

When data is sent unconfirmed, the radios send their data messages to the target without any link layer confirmation that it arrived successfully. When sending very short data messages, such as GPS, this method may be acceptable since short messages have a lower probability of arriving with uncorrectable errors. However, as previously described, long data messages have an increased probability of failure at the fringe. It is important to note that sending long unconfirmed data messages multiple times at the application layer only slightly increases the overall probability of success, since each retry is as long as the first attempt, and therefore has the same probability of failure.

When data is sent confirmed, the radios send their data messages to the target with confirmation that each segment within the data message arrived successfully. If one or more of the segments within the data message was received with an uncorrectable error, the target responds to the source requesting only the segments that had uncorrectable errors be resent. This is referred to as **selective retries**. Because retries are shorter, they have fewer segments than the original attempt and the probability of success increases. This increases the overall success rate of delivering long data messages to radios in the fringe.

NOTE: In software versions R02.20.00, an additional enhancement was made to the selective retry mechanism that increases the probability of success of individual confirmed data messages even more. Therefore, it is recommended to upgrade for best reliability.

4.12.1.11.2 Minimize Application Data Payload Size

Some data applications may allow the size of their data messages sent over-the-air to be configured. This is sometimes referred to as their message fragmentation size. For best reliability, it is recommended to utilize a message size less than, or equal to 256 bytes over-the-air. Data messages longer than 256 bytes may have decreased coverage even when utilizing confirmed messaging.

4.12.1.11.3 Disable UDP Header Compression

MOTOTRBO radios can be configured to perform UDP header compression. This feature reduces the 28 byte UDP/IPv4 headers to four or eight bytes, but it requires an extra link layer header. The net effect is the saving of 60 milliseconds for confirmed messages, or 120 milliseconds for unconfirmed messages. For short data messages, such as GPS, this approximately reduces the transmission time by 10% to 20%. However, for longer data message (256 bytes), the savings in transmission time is very small and the extra header can decrease reliability in some instances.

Therefore, for best reliability, it is recommended to not utilize UDP header compression when transmitting long data messages since the decrease in reliability is not worth the 60 to 120 milliseconds savings in delivery time of a long data message that may take seconds to complete.

4.12.1.11.4 Enable Enhanced Channel Access

MOTOTRBO radios can be configured to utilize Enhanced Channel Access. Enhanced Channel Access can minimize the number of collisions between radios transmitting data by performing a high speed handshake with the repeater. The high speed handshake takes approximately 120 milliseconds to complete. Collisions can result in both data messages becoming corrupt and therefore requiring each to retransmit. When ECA is enabled on all radios, collisions are detected and mitigated by allowing one radio to gain access to the channel, while the other is held off. Therefore, it is recommended to enable ECA for best reliability.

4.12.1.12 Optimizing for Data Throughput

If utilizing data applications that only send short data messages to radios in great RF coverage, the user might wish to optimize for data throughput since reliability is not a primary concern. An example of this might be the GPS. Rather than utilizing extra bandwidth sending short messages reliably, it may be more useful to minimize the size of the message even more so that messages can be sent more often. The loss of one GPS message is of little concern if another updated message shortly follows.

To optimize data for throughput when sending short messages in great RF coverage, the user should:

- Use unconfirmed individual data
- Enable UDP header compression
- Disable enhanced channel access
- Disable scanning and lower scan preamble
- Minimize battery saver preambles

4.12.1.12.1 Unconfirmed Individual Data

MOTOTRBO radios can be configured to send individual data messages confirmed or unconfirmed at the link layer. Group data messages (those targeted towards talkgroups) are always sent unconfirmed. If sending short data messages, and if optimizing for throughput, the user should consider using unconfirmed messaging.

When data is sent unconfirmed, the radios send their data messages to the target without any link layer confirmation that it arrived successfully. If the message size is less than 144 bytes (in repeater mode) or 48 bytes (in Talkaround mode), then unconfirmed data messages have lower transmission time over-the-air than confirmed data messages.

Short messages have a low probability of arriving with unrecoverable errors. However, as previously described, long data messages have a higher probability of arriving with unrecoverable errors. Therefore sending long messages unconfirmed is only successful to radios within great RF coverage. It is also important to note that sending long unconfirmed data messages multiple times at the application layer only slightly increases the overall probability of success since each retry is as long as the first attempt, and therefore has the same probability of failure.

NOTE: If there are radios with software versions prior to R01.05.00 in the system, and receiving individual data messages from newer radios, the newer radios should be configured to use confirmed individual data messages only, to avoid interoperability issues.

4.12.1.12.2 Enable UDP Header Compression

MOTOTRBO radios can be configured to perform UDP header compression, which reduces the 28 byte UDP/IPv4 headers to four or eight bytes, but requires an extra link layer header. The net effect is the saving of 60 milliseconds for confirmed messages or 120 milliseconds for unconfirmed messages. For short data messages, such as the GPS, this approximately reduces the transmission time by 10% to 20%. If sending short data messages in great RF conditions, and if optimizing for throughput, one should consider utilizing UDP header compression.

A control station or a radio sends compressed data messages only if the feature is enabled, but processes compressed data messages even if the feature is disabled. A non-MOTOTRBO radio or a legacy MOTOTRBO radio with software versions prior to R01.05.00 cannot receive compressed data messages and therefore this feature should be enabled in a control station only if all the radios in the system are MOTOTRBO radios with software versions R01.05.00 or later. This feature can be enabled in a control station or a radio selectively for data messages transmitted to one or more applications, that is based on the destination UDP port.

4.12.1.12.3 Disable Enhanced Channel Access

MOTOTRBO radios can be configured to utilize ECA. The high speed handshake takes approximately 120 milliseconds to complete. If optimizing for throughput, one should consider disabling ECA.

Enhanced Channel Access can minimize the number of collisions between radios transmitting data by performing a high speed handshake with the repeater. Collisions can result in both data messages becoming corrupt and therefore requiring each to retransmit. When ECA is disabled, high volume asynchronous messages from radios collide often, and if utilizing confirmed messaging results in both devices retransmitting, which ultimately results in lower throughput. If utilizing a synchronized data delivery method, for example a request and reply method from a centralized server, collisions may not occur as often.

4.12.1.12.4 Disable Scanning and Lower Scan Preamble

MOTOTRBO radios can be configured to utilize a data preamble, primarily utilized to reach scanning radios. The default value is 960 milliseconds, but can be configured substantially higher. When utilizing unconfirmed messaging, the data preamble adds to the overall length of each message. If utilizing confirmed messaging, the data preamble is added to retransmissions only.

If optimizing for throughput, one should consider disabling scan and lowering the scan preamble to zero. If there are scanning radios remaining, and a data preamble of the transmitting radio is set to zero, the scanning radios will most likely not receive the message.

If only sending data from fielded radios to a centralized data application, it is presumed the control stations that are receiving the messages are not scanning. Therefore data preambles are not required on fielded radios.

4.12.1.12.5 Minimize Battery Saver Preambles

MOTOTRBO radios can be configured to send battery saver preambles. These preambles are used to reach radios that have battery saver enabled. If optimizing for throughput, one should consider disabling battery saver and disabling sending battery saver preambles. For a typical location message, this approximately reduces the transmission time by 10%.

If utilizing all mobiles, battery saver, and battery saver preambles are not required.

NOTE: To avoid interoperability issues, it should be configured in the system that either all or none of the radios send battery saver preambles. If there are radios with software versions prior to R01.05.00 in the system, they will always be expecting battery saver preambles, therefore either all the radios in the system should be configured to send battery saver preambles, or all upgraded to a newer release.

4.12.1.13 Data Revert Channels for Capacity Plus and Linked Capacity Plus

MOTOTRBO in Single Repeater and IP Site Connect modes support the GPS Revert feature. In Capacity Plus and Linked Capacity Plus, MOTOTRBO extends the GPS Revert feature to include all types of data messages transmitted to the Application Server. The Data Revert Channel feature allows system operators a configurable option to offload all the data messages from radios to a Server onto programmed digital channels (called Data Revert Channels). Data Revert Channels are different from Trunked Channels. Examples of data messages sent from radios to a Server are registration messages, location responses, text messages to the Server, and their over-the-air acknowledgements.

Data Revert Channels are exclusively used for transporting data packets. They are also especially useful for transporting location responses. They are not used for voice communication. However, Trunked Channels are not exclusively used for transporting voice. Data messages from one radio to another, and from an Application Server to radio(s) are always sent via Trunked Channels. As Data Revert Channels offload most of the data communication from Trunked Channels, they facilitate more voice communication over these channels.

There must be a Revert Control Station for each Data Revert Channel. If one channel of a repeater is used as a Data Revert Channel, then the other channel of the repeater is also used as a Data Revert Channel. Thus, the Revert Control Stations are always in a pair. The revert channel's Control Station receives a data message from a radio, returns acknowledgement to the radio (if required), and forwards the message to the Application Server connected to the control station. The Revert Control Station then operates in single repeater mode but does not understand the trunking messages (e.g. System Status CSBK) and does not tune to the Rest Channel. The revert channel's control stations stay tuned to its assigned revert channel.

In the GPS Revert feature (single repeater or an IP Site connect), a radio is programmed with only one revert channel. However, for Data Revert in Capacity Plus and Linked Capacity Plus, a radio is programmed with a list of the revert channels. This allows a radio to look for more than one channel (up to 4 channels) for transmission. This increases the probability of a successful transmission. Additionally, this increases the reliability of the transmission when a revert repeater is down as the radio automatically looks for the next repeater. A radio uses the revert channels in a round-robin fashion, distributing the load of data transmission fairly between the channels.

There is at least one Trunked Control Station, which is used by the Application Server to send a data message to a radio. A Trunked Control Station has the Capacity Plus or Linked Capacity Plus software installed and follows the Rest Channel as the Rest Channel changes. There may be more than one Trunked Control Stations in the system. The required number depends on the number of messages from the Application Server to radios. It is recommended to use a Trunked Control Station for every 20 messages, of 50-byte or character size payload, per minute.

To avoid misconfiguration, the CPS does not allow programming a trunked and revert channels in the same list. The CPS only performs channel check but not actual frequency check. Thus, while configuring the frequencies for the system, caution must be exercised to not use the same frequency for a revert channel and a Trunked Channel.

A Capacity Plus or a Linked Capacity Plus system can have more than one Trunked Control Station, therefore a fair distribution of data packets among the Trunked Control Stations is required. For a simple way to achieve the fair distribution, follow these rules:

1. The radios should be grouped into 'n' sets, where 'n' is the number of Trunked Control Stations.
2. Each set of radios is associated to a Trunked Control Station.
3. For each set of radios, it is required to make one or more entries in the IP Routing Table of the Application Server such that a data packet transmitted to a radio is routed to the port of the Trunked Control Station associated with the set of the radio.

The IPv4 address of the Server (as seen by a radio) is derived from the radio ID of the Control Stations. This is shown in Figure 4-26. The example has two Revert Control Stations (shown in blue) and two Trunked Control Stations (shown in green). The example assumes that the IDs all radios are within {1..255}. They have been divided into two sets of {1..126} and {127..255}.

NOTE:

1. Say a group of radios is defined as {n..m} where 'n' and 'm' are the lowest and highest IDs of the radios respectively, and there are two Trunked Control Stations. The radios should be divided into two sets of radios, say {n..p} and {p+1..m}. Here, 'p+1' is a power of 2 (e.g. 4, 8, 16, 32, 64,...).
2. The sets of radios are non-overlapping. This means a radio is a member of one and only one set.

Multiple groups can be allocated to a Trunked Control Station by having one entry per group in the IPv4 routing table of the Server.

For more details on how to configure the IP routing table, refer to the spreadsheet file **MOTOTRBO Text Messaging Installation Procedures for Supporting MOTOTRBO Capacity Plus.xls**. (available only to customers of Motorola's MOTOTRBO Text Messaging application)

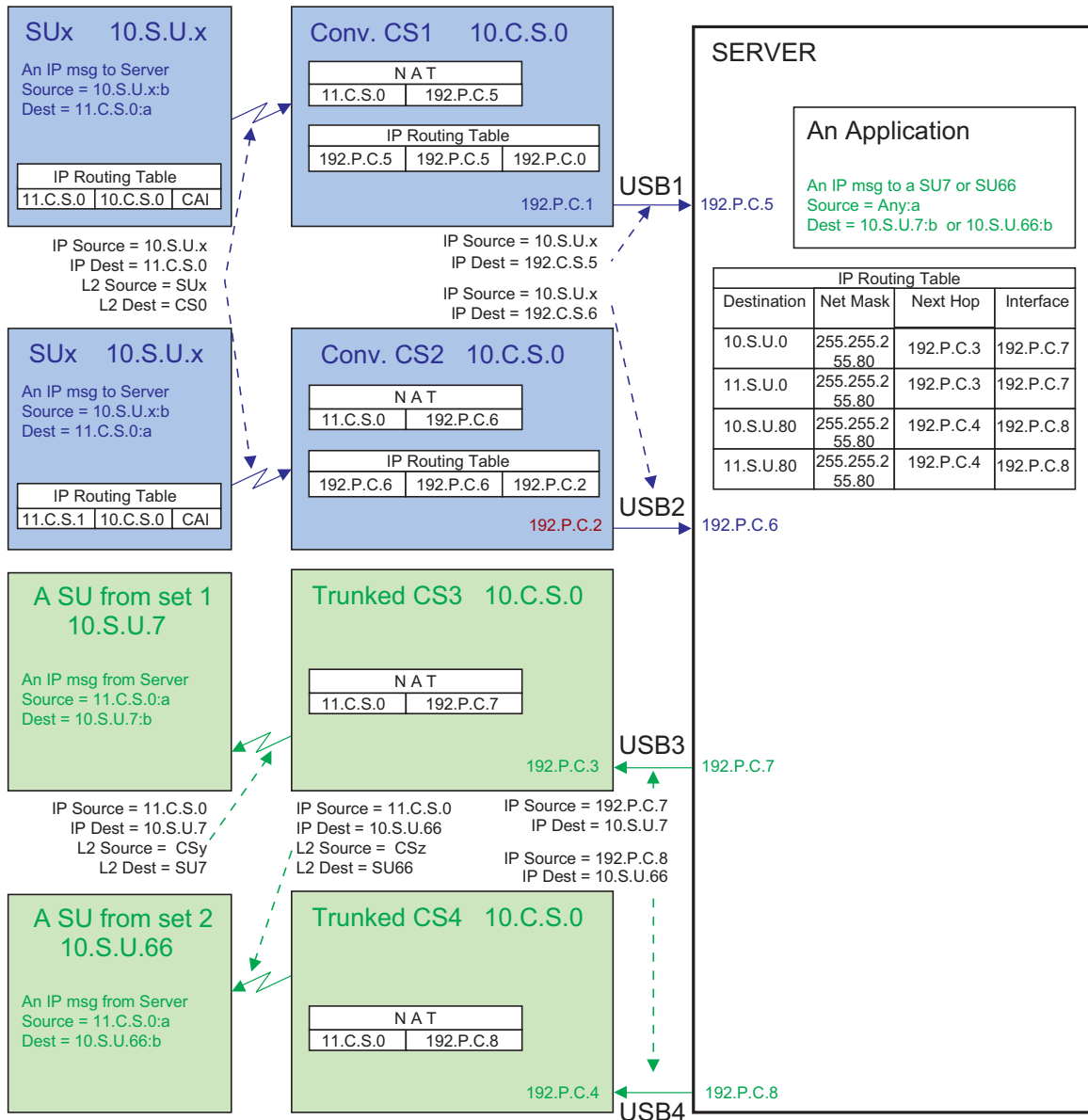


Figure 4-26 An example showing IPv4 addresses in a Capacity Plus configuration with Data Revert

4.12.2 Mobile Terminal and Application Server Power Management Considerations

There are some considerations that have to be taken with regards to the Power Management settings on a PC being used for either a Mobile Terminal or Application Server.

It is recommended that the power management settings of the Application Server and Mobile Client be disabled. Specifically the System Standby and System Hibernation settings should be set to *Never*.

It is crucial that the Application Server and Mobile Terminal always be active so that they can transmit and receive data messages. If the Application Server or Mobile Client is allowed to enter System Standby or System Hibernation, it will not respond to received data messages. The radio(s) connected to the Application Server or Mobile Client will then queue the data until messages fail to be delivered. It will be the responsibility of the sending device to retry the failed message. A user will need to “awaken” the Application Server or Mobile Client before it will accept messages again.

4.13 Customer Fleetmap Development

In a MOTOTRBO system, the system administrator can maximize the system's communication effectiveness by translating their organization's operation requirements into a list of supported features. The result of identifying and formalizing this information is often referred to as fleetmapping.

Fleetmapping can be thought of as:

- Assigning groups to the radios issued to personnel.
- Assigning groups to the dispatcher control positions.
- Assigning groups to channels and slots.
- Defining the feature subsets available to the personnel using the radios and dispatcher control positions.

A fleetmap determines how the radio communications for each user group of an organization is controlled. Through controlling communications between different user groups and between individuals within a group, the organization can manage the radio communications system resources efficiently. Fleetmapping also provides a structured approach to the management of a large number of radio users, and provides the opportunity to plan in advance for expansion or changes within an organization.

Some of the factors that should be considered when creating or planning changes to the fleetmap are:

- Identifying a functional fleetmap design team
- Identifying radio users
- Organizing radio users into groups
- Assigning IDs and aliases
- Determining feature assignments:
 - Private Calls
 - All Call
 - PTT ID and Aliasing
 - Radio Disable
 - Remote Monitor
 - Radio Check
 - Call Alert
 - Emergency Configurations
- Determining channel access requirements
- Determining subscriber programming requirements
- Determining data application access and requirements

4.13.1 Identifying a Functional Fleetmap Design Team

To develop a fleetmap, a design team of key representatives from the customer's system managers, technicians, and operators needs to be formed to create effective communications plans for radio users and system operators.

4.13.2 Identifying Radio Users

The system administrator needs to do the following to establish a fleetmap.

- Determine the customer's organizational structure from a radio user's perspective
- Consider the needs of portable and mobile radio users
- List all of the potential radio users in a single column on a spreadsheet
- Define the functional groups that use the system
- Group together radio users who need to communicate with each other on a regular basis

Typically, each functional group of radios will have different communication requirements. Therefore, each functional group will have their own codeplug for their radios that differs from other functional groups.

Codeplug	Functional Group	User Name	Alias	User ID	Talks with	Listens only to
construction.ctb	Construction	John	John	1873	Construction, Transport	Security
	Construction	Bob	Bob	1835	Construction, Transport	Security
	Construction	Rick	Rick	542	Construction, Transport	Security
security.ctb	Security	Al	Al	98	Security, Administrative	-
	Security	Joe	Joe	4762	Security, Administrative	-
administrative.ctb	Administrative	Frank	Frank	6654	Administrative, Security	-
	Administrative	Mike	Mike	19172	Administrative, Security	-
	Administrative	Steve	Steve	78378	Administrative, Security	-
transport.ctb	Transport	Lenny	Lenny	23	Transport, Construction	Security
	Transport	Carl	Carl	2	Transport, Construction	Security

4.13.3 Organizing Radio Users into Groups

Once you have identified all of the individual users, associate them with groups. The communication requirements for one group may differ with the requirements of another group. Certain groups may need to communicate with multiple groups, in addition to their primary group. Therefore, you will need to identify the individual radios and the corresponding groups that they need to communicate with. Also note that the group organization may be different from the organization’s formal reporting structure.

You will also need to determine the traffic patterns of the individual users and functional groups, so that channel, slot and group assignments can be associated with each user. “Digital Repeater Loading” on page 246 should provide information to help decide the distribution of groups, logical channel assignments (slots) and physical channel assignments.

When organizing your MOTOTRBO system, remember that individual users, radios, and groups all have different requirements. Subsequently, they also have different parameters associated with them. Organize the radios, groups and slot assignments in a spreadsheet. An example is shown below.

										Functional group and talkgroup mapping							
										Construction			Security		Administrative	Transport	
										TG ID: 62	TG ID: 54	TG ID: 46	TG ID: 8766	TG ID: 123	TG ID: 99	TG ID: 997	TG ID: 368
										Cement factory	Metal shop	Carpenters	Patrol	Front desk	Admin	Delivery trucks	Cement mixers
										ch 1 - slot 1	ch 2 - slot 1	ch 2 - slot 1	ch 2 - slot 1	ch 1 - slot 1	ch 2 - slot 1	ch 1 - slot 1	ch 2 - slot 1
File codeplug as	Functional group	User name	Alias	User ID	Talks with functional groups	Listens only to functional groups											
construction.ctb	Construction	John	John	1873	Construction, Transport	Security	x									x	
	Construction	Bob	Bob	1835	Construction, Transport	Security			x						x		
	Construction	Rick	Rick	542	Construction, Transport	Security	x	x	x							x	
security.ctb	Security	Al	Al	98	Security, Administrative	-				x	x	x					
	Security	Joe	Joe	4762	Security, Administrative	-				x	x	x					
administrative.ctb	Administrative	Frank	Frank	6654	Administrative, Security	-					x	x					
	Administrative	Mike	Mike	19172	Administrative, Security	-					x	x					
	Administrative	Steve	Steve	78378	Administrative, Security	-				x	x	x					
transport.ctb	Transport	Kenny	Kenny	23	Transport, Construction	Security		x	x						x	x	
	Transport	Carl	Carl	2	Transport, Construction	Security	x										

4.13.3.1 Configuration of Groups

In MOTOTRBO systems, capabilities for Group Calls are configured via the subscriber (portable and mobile) CPS. The repeater does not require any specific configuration with respect to groups. There are three interrelated steps in configuring your radios to participate in Group Calls; it is configured through the “Contacts”, “RX Group Lists” and “Channels” menu folders in CPS. While the MOTOTRBO CPS enables great flexibility in configuring your system for Group Calling, one basic procedure is as follows:

1. In the “Contacts” folder, go to the “Digital” folder, and add a call of type “Group Call.” The CPS will provide a default name and ID; you will need to assign a unique ID between 1 and 16776415, and should also rename the Group Call to an intuitive alphanumeric name representative of the user workgroup that will ultimately be using this group, e.g. “Maintenance.” All Calls created in the “Contacts” folder appear in the “Contacts” menu of the subscriber by name, and the Group name also appears on the radio display when a Group Call is received. In step 3 below, you will assign this Group Call, again by name, to the Transmit (TX) “Contact Name” attribute of a channel.
2. In the “RX Group Lists” folder, add a new group list, and then add the Group Call you just created to be a member of the list. The group list controls which groups a radio will hear when tuned to a selected channel. For example, if members of the Maintenance group should also be able to listen to other groups on the channel, those other groups would be added to the RX Group List; if members of the Maintenance group should only hear traffic related to their own group, then only the Maintenance group would be added to the group list. The group list should again be renamed to something intuitive; in step 3 below you will assign this group list, by name, to the RX Group List attribute of a channel.
3. In the channels menu, each “zone” can contain up to 16 channels that can be mapped to the 16-position top selector knob of the portable radio or the relative channel number selections on a mobile. Radio users that require more than 16 channels must organize them into multiple folders in CPS, so that they can be accessed as “zones” in the radio menu. Zones, if used, can and should also be given names. In an appropriate folder, create a new digital channel. To fully define the channel, you must assign the appropriate receive and transmit frequencies, and also select the TDMA slot number. Then, add the group list you defined in step 2 above to the RX Group List attribute, followed by adding the digital Group Call to the TX Contact Name attribute. You will also need to define the TX Admit Criteria. Rename the channel to something intuitive, and assign it to a knob position; the channel name will be displayed on the radio whenever it is selected via the top knob on a portable or the up/down channel selection buttons on a mobile.

If configured as described above, radio users are able to place a Group Call simply by selecting the defined channel and pressing PTT. Groups can also be selected from the Contacts menu on display radios, as enabled by step one of the above. It is also possible to assign a Group Call to a radio programmable button (called a “one touch call” in CPS) so that users can place a Group Call at the touch of a button.

4.13.4 Assigning IDs and Aliases

Each radio, group, and control station in the system must have a unique ID number and alias. There should be no duplicate IDs on the system.

4.13.4.1 Identifying Radio IDs

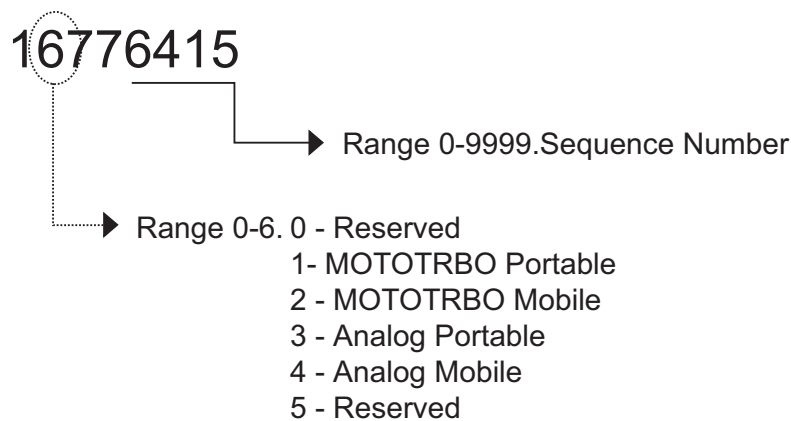
Radio IDs for a MOTOTRBO system range between 1 and 16776415. There are two approaches to identifying radio IDs:

Option A:

As a general practice, create contiguous ID ranges, but allow room for future expansion. As an example, a department has a current requirement for 1200 IDs. However, the department may need up to 2000 IDs in 12 months. Assigning the IDs during planning saves future re-programming of radios and subscriber records.

Option B:

The radio ID can be created so that each ID will provide certain information about the radio. Each digit in the Radio ID can represent a certain code or radio type. For example:



Other options are to use a digit to identify the user's home group or other identifier. Radio IDs are not centrally maintained or managed in a MOTOTRBO system. It is up to the system administrator to document the radio ID designation. Note that these IDs must match those entered in other radios and data applications in order for the system to operate correctly.

4.13.4.2 Assigning Radio Aliases

You can assign an alias to each radio user. Although anything can be used as an alias, the user's last name is often used. Radios that are assigned to vehicles are often aliased with the vehicle number such as "Cab 35" or "Fire Truck 3." If radios are used by multiple users through different shifts, the job description is often used such as "West Side Guard" or "Cleaning Crew 2." Since unique names are required, no two radio users should have the same alias. Aliases should be consistent in all radio programming (CPS), and the data applications. Databases are not shared between the various applications. There is no centralized database in MOTOTRBO. Since aliasing is done independently on each device, if the alias and ID do not match in each device in the system, customers may become confused.

An example of a spreadsheet showing a possible radio ID and alias database is shown below:

Functional Group	User Name	Alias	Unit ID	Talks with	Listens only to
Construction	John	John	1873	Construction, Transport	Security
Construction	Bob	Bob	1835	Construction, Transport	Security
Construction	Rick	Rick	542	Construction, Transport	Security
Security	Al	Al	98	Security, Administrative	-
Security	Joe	Joe	4762	Security, Administrative	-
Administrative	Frank	Frank	6654	Administrative, Security	-
Administrative	Mike	Mike	19172	Administrative, Security	-
Administrative	Steve	Steve	78378	Administrative, Security	-
Transport	Lenny	Lenny	23	Transport, Construction	Security
Transport	Carl	Carl	2	Transport, Construction	Security

4.13.4.3 Identifying Group IDs

Group IDs for a MOTOTRBO system range between 1 and 16776415. The same approach that is used to identify radio IDs can be used for Group IDs. Group IDs are not centrally maintained or managed in a MOTOTRBO system. It is up to the system administrator to document the Group designation. Note that these IDs must match those entered in other radios and data applications in order for the system to operate correctly.

4.13.4.4 Assigning Group Aliases

The groups should also be consistent throughout the system. Display radios and data applications identify groups by alias. Groups should be named with an alias the customer will easily understand. Highly abstract names often cause confusion. When assigning aliases, you will need to consider character and subscriber limitations. Some radio models may allow more or fewer characters than the data applications. Since aliasing is done independently in each device, if the alias and ID do not match in each device in the system, customers may become confused. An example is shown below:

Functional group and talkgroup mapping							
Construction			Security		Administrative	Transport	
TG ID: 62	TG ID: 54	TG ID: 46	TG ID: 8766	TG ID: 123	TG ID: 99	TG ID: 997	TG ID: 368
Cement factory	Metal shop	Carpenters	Patrol	Front desk	Admin	Delivery trucks	Cement mixers
ch 1 - slot 1	ch 2 - slot 1	ch 2 - slot 1	ch 2 - slot 1	ch 1 - slot 1	ch 2 - slot 1	ch 1 - slot 1	ch 2 - slot 1

4.13.5 Determining Which Channel Operates in Repeater Mode or Direct Mode/Dual Capacity Direct Mode

Repeater mode enables unit-to-unit communications using the repeater. Direct mode/dual capacity direct mode enables unit-to-unit communications without using the repeater. Each channel on the radio is programmed to be either a direct mode channel, dual capacity direct mode or a repeater mode channel via the CPS.

Channels defined as Repeater channels in the CPS can be toggled to operate in Talkaround mode via user selection from the menu or a programmable button. When this happens, the transmit frequency is set equal to the receive frequency, and this channel effectively performs like a Direct Mode channel.

If a 12.5 kHz RF channel is used for dual capacity direct mode, both timeslots are provisioned for 6.25e direct mode only. Similar to repeater mode, 6.25e channels are configured via CPS to operate in either timeslot 1 or timeslot 2, and color code (0-14) can be provisioned differently in each timeslot. The full range of radio IDs and talkgroup IDs are available for use in 6.25e direct mode (dual capacity direct mode).

4.13.6 Determining Feature Assignments

4.13.6.1 Determining Supervisor Radios

Supervisor radios are not defined in the CPS by any specific “Supervisor” option. Instead they are subscribers that have supervisory options enabled. Supervisor radios are responsible for acknowledging Emergency Calls and alarms, and also perform administrative duties such as remote monitor and selective radio inhibit. Some features should only be allowed to users that can use them responsibly.

4.13.6.2 Private Calls

In MOTOTRBO systems, capabilities for Private Calls are configured via the subscriber (portable and mobile) CPS. The repeater does not require any specific configuration with respect to Private Calls. While the MOTOTRBO CPS enables great flexibility in configuring your system for Private Calling, one basic procedure is as follows:

1. Every MOTOTRBO radio in a system should be assigned a unique radio ID in the CPS. This parameter is programmed in the Radio ID field under the General Settings menu.
2. In the “Contacts” folder, go to the “Digital” folder, and add a call of type “Private Call.” The CPS will provide a default name and ID; assign the actual radio ID of the radio that is to be privately called to this field, and rename the call to an intuitive alphanumeric name (representative of the radio that to be addressed). Note that All Calls created in the “Contacts” folder appear in the “Contacts” menu of the subscriber by name, and this name also appears on the radio display when a Private Call is received.

If configured as above, radio users are able to make Private Calls by selecting the Private Call, by name, from the radio’s Contacts menu. In addition, similar to assigning a Group Call to a channel as described above, it is also possible to assign a Private Call to the TX Contact Name attribute of a channel, so that users can place Private Calls by making the appropriate channel selection via

the top knob on a portable or up/down channel select buttons on a mobile. It is also possible to assign a Private Call to a radio programmable button (called a "one touch call" in CPS) so that users can place a Private Call at the touch of a button. These latter 2 methods are the only methods for non-display radios to place Private Calls.

Please note that a radio can, in practice, receive a Private Call from any other radio that is available on the channel, regardless of whether the receiving radio has created a CPS Private Call entry for that radio. The receiving radio will in this case display the radio ID of the calling radio, rather than an alphanumeric alias. Similarly, a radio can place a Private Call to any other radio by utilizing the "manual dialing" option in the radio's menu, however in this case the user must know the Radio ID of the called party.

4.13.6.3 All Call

In MOTOTRBO systems, capabilities for All Calls are configured via the subscriber (portable and mobile) CPS. The repeater does not require any specific configuration with respect to All Calls. While the MOTOTRBO CPS enables great flexibility in configuring a system for All Calls, one basic procedure is as follows:

1. In the "Contacts" folder, go to the "Digital" folder, and add a call of type "All Call." The CPS will provide a default name; rename the call to an intuitive alphanumeric name representative of the All Call. All Calls created in the "Contacts" folder appear in the "Contacts" menu of the subscriber by name.

If configured as above, a user would initiate an All Call by selecting the call, by name, from the radio's Contacts menu. Additionally, similar to assigning a Group Call to a channel as described above, it is possible to assign an All Call to the TX Contact Name attribute of a channel, so that users can place All Calls by making the appropriate channel selection via the top knob on a portable or up/down channel select buttons on a mobile. This is the only method for a non-display radio to place an All Call.

It is also possible to assign an All Call to a radio programmable button (called a "Number Key Quick Contact Access" in the CPS), so that users can place an All Call at the touch of a button. However, this method to initiate an All Call, is only supported on the display portable radios and via a keypad microphone with the alphanumeric display mobiles.

Since All Calls are monitored by everyone on a slot, it is suggested that only supervisors be granted the ability to transmit All Calls.

4.13.6.4 Radio Disable

In MOTOTRBO systems, Radio Disable is configured in the portable and mobile radio CPS. To allow a radio the ability to initiate this function, this option must be enabled in the CPS "Menu" settings. To permit (or prevent) a given radio from decoding and responding to this command, this option must be configured in the CPS "signaling systems" settings.

Since the ability to disable a user could be misused, it is suggested that only supervisors be granted the ability to initiate a Radio Disable.

4.13.6.5 Remote Monitor

In MOTOTRBO systems, Remote Monitor is configured in the portable and mobile radio CPS. To allow a radio the ability to initiate this function, this option must be enabled in the CPS “Menu” settings. To permit (or prevent) a given radio from decoding and responding to this command, this option must be configured in the CPS “signaling systems” settings. If a radio is configured to decode the remote monitor command, the duration that the target radio will transmit after receiving a Remote Monitor command can be set in the CPS “signaling systems” settings of the target radio.

Since the ability to remotely monitor a user could be misused, it is suggested that only supervisors be granted the ability to initiate a Remote Monitor.

4.13.6.6 Radio Check

In MOTOTRBO systems, Radio Check is configured in the portable and mobile radio CPS. To allow a radio the ability to initiate this function, this option must be enabled in the CPS “Menu” settings. All MOTOTRBO radios decode and respond to a Radio Check.

4.13.6.7 Call Alert

In MOTOTRBO systems, Call Alert is configured in the portable and mobile radio CPS. To allow a radio the ability to initiate this function, this option must be enabled in the CPS “Menu” settings. All MOTOTRBO radios decode and respond to a Call Alert.

4.13.6.8 RX Only

In MOTOTRBO, a radio can be configured as a receive only (RX Only) device and does not transmit. The RX Only mode of operation is useful when a radio user monitors the radio communication, or in hospitals where RF transmission is harmful.

In Capacity Plus, Revert Control Stations should be configured as “RX Only” radios, only if the data messages are transported over-the-air as unconfirmed data messages. For confirmed data messages, a RX Only Revert Control Station will not send acknowledgement and a radio will send the same data message multiple times. Multiple transmissions waste the air bandwidth and cause the server to receive duplicate messages.

4.13.6.9 Remote Voice Dekey

In MOTOTRBO systems, Remote Voice Dekey is configured in the portable and mobile radio CPS. If used in a repeater system, the repeater does not require any specific configuration with respect to Remote Voice Dekey. However, the repeater needs to be using Transmit Interrupt capable software. To allow a radio the ability to initiate this function, this option must be enabled via the CPS. Only MOTOTRBO radios provisioned with the ability to be interrupted dekeys in response to the Remote Voice Dekey command.

The Remote Voice Dekey feature can be used in direct, talkaround, or repeater modes of operation.

The Remote Voice Dekey feature is capable of remotely dekeying group voice calls and private voice calls; Emergency Calls and non-Emergency Calls; and can be used regardless of whether

the initiating radio is a member of the call being remotely dekeyed. Since it is possible for this feature to remotely dekey a call that the radio is not unmuted to, the radio user may not be aware of the nature of the call that is being remotely dekeyed. Accordingly, it is recommended that this feature be enabled only in supervisor radios and the radio users be trained on the proper use of the Remote Voice Dekey feature.

The Remote Voice Dekey feature is not capable of remotely dekeying All Calls or non-voice (i.e., data or control) calls.

4.13.7 Emergency Handling Configuration

Configuring a communication system (like MOTOTRBO) to handle emergency situations requires some up front design. In emergency situations, it is ideal that when a user initiates an emergency, he is immediately routed to someone who can handle his emergency situation. The previous sections have addressed some basic feature descriptions of how emergency can operate. This section will outline in detail how to program the numerous devices in the system in order to meet the needs of a customer's emergency needs and also provide some guidance on choosing the available options. It is recommended to review the Emergency Handling feature explanation in the earlier chapters.

It is important when creating an emergency handling plan to understand the customer's existing emergency procedures. An interview with a representative in charge of emergency operations is usually required to fully understand the process. This information will act as a base for selecting a configuration.

4.13.7.1 Emergency Handling User Roles

The first step is identifying users that will participate in the emergency handling plan. There are three major roles to identify: Emergency Initiator, Monitoring Supervisor, and Acknowledging Supervisor.

An Emergency Initiator is a user that does not necessarily have any responsibility for handling emergencies, but is expected, at some point to have an emergency that needs handling. This user's radio is configured with either an emergency button or an external switch to initiate an emergency. The radio needs to be programmed on how to contact a Supervisor based on the selected configuration. Alternatively, this radio can be programmed to give a non-persistent indication (display and/or audio) that the current call is an Emergency Call. This indicates to the user that he should avoid interfering with the call taking place. The majority of users in a system will be considered Emergency Initiators.

A Monitoring Supervisor is a user that needs to know when an emergency occurs, but is not the individual identified to handle and acknowledge emergencies. This user's radio will provide an indication that an Emergency Alarm has been received and provide an indication that an Emergency Call is taking place. This user does not transmit an acknowledgement to the Emergency Alarm. The Emergency Alarm will be persistent on the Monitoring Supervisor's radio until manually cleared. Duplicate attempts of the same Emergency Alarm will not restart the Emergency indication. There can be multiple Monitoring Supervisors per group. A Monitoring Supervisor may also be an Emergency Initiator.

An Acknowledging Supervisor is the user specifically identified to respond to received emergency situations. This user's radio provides an indication that an Emergency Alarm has been received, and provides an indication that an Emergency Call is taking place. In addition to the indications,

this user's radio is responsible for transmitting an acknowledgement to the Emergency Initiator. Until the Emergency Initiator receives the acknowledgement, his radio will continue to transmit its emergency alarm messages, until his user takes action to stop or the radio exhausts the number of programmed retries. It is important to note that the Acknowledging Supervisor's radio (not the user) sends the acknowledgement, when it receives the Emergency Alarm. Reception of an emergency alarm acknowledgement only guarantees that the radio received the message, not the user. Because it is the responsibility of the Acknowledging Supervisor to stop the Emergency Initiator's retries, duplicate attempts of the same Emergency Alarm will restart the emergency indication if cleared. It is highly recommended that there only be one Acknowledging Supervisor per group and slot. If there is more than one, acknowledgement messages may interfere with each other when transmitting, and cause a delay in acknowledging the Emergency Initiator. An Acknowledging Supervisor may also be an Emergency Initiator.

These MOTOTRBO radios are configured to operate in each role by setting a few options using the CPS, as described in the following table. Note that these options are configurable per channel, and therefore per Group, Frequency and Slot. This means that a user can play a different role depending on the channel he has selected. He may be an Acknowledging Supervisor for one Group, but only an Emergency Initiator on another. Note that the selected Digital System references a group of parameters used, when a user initiates an emergency. A radio programmed with a Digital Emergency System of None will not be able to initiate an emergency on that channel. The parameters contained within the digital system will be discussed in detail later.

Emergency Handling Role	CPS Option per Channel			
	Digital Emergency System	Emergency Alarm Indication	Emergency Alarm Ack	Emergency Call Indication
Emergency Initiator	Selected	Disabled	Disabled	Optionally Enabled
Monitoring Supervisor	Selected Or None	Enabled	Disabled	Enabled
Acknowledging Supervisor	Selected Or None	Enabled	Enabled	Enabled

By identifying the roles in the customer's organization, it should start to become clear how they handle emergencies at a high level. If there are numerous supervisors, it is important to note which groups these supervisors monitor, as there may be more than one supervisor that monitors multiple or all the groups. This will be the key to deciding on an emergency handling strategy.

4.13.7.2 Emergency Handling Strategies

There are two major strategies to handle emergency situations: Tactical or Centralized.

A Tactical emergency handling strategy is when the Emergency Initiators transmit their emergency alarm and call on the channel, group and slot they are currently selected on. This assumes that there is an Acknowledging Supervisor that is monitoring that same channel, group or slot. This means that each group is required to have a designated supervisor whose responsibility is to handle emergency situations. Because emergency alarms do not traverse slots or channels, there would need to be one (and only one) supervisor designated for each group on every channel and

slot. Multiple Monitoring Supervisors could be configured to monitor for emergency alarms without sending acknowledgements to stop the Emergency Initiator's retries. It is also very important to note that because users are generally mobile it is possible that the Acknowledging Supervisor becomes unavailable, busy, changes channels, or roams out of range of the system. If this happens, Emergency Initiators may go unacknowledged.

In a system with a small number of users and groups, a Tactical strategy is often the easiest method to implement. When the number of users, groups, and channels grow, the required number of Acknowledging Supervisor also grows. It will quickly become difficult to guarantee the multiple assigned Acknowledging Supervisors are actively monitoring their assigned groups. It is also often not cost effective to have numerous designated Acknowledging Supervisors handling emergency situations.

In order to operate Tactically, the Emergency Initiator needs to be on a channel that is configured with a Digital Emergency System, and has its Emergency Revert Channel set to "Selected" in the CPS. Since this is set on a per channel basis, a radio could be configured to operate differently based on the selected channel.

A Centralized emergency strategy is when the Emergency Initiators transmit their emergency alarm and call on a dedicated channel, group or slot. This strategy is often referred to as a "revert" strategy. This strategy assumes that there is one dedicated Acknowledging Supervisor whose job is to handle the emergencies of all users in the system, and that the Emergency Initiators automatically change or "revert" to the channel the Acknowledging Supervisor is operating on to process their emergency. Because this Acknowledging Supervisor's role is only to monitor for emergencies, it becomes easier to manage his availability. Further steps can be taken to guarantee the availability of the Acknowledging Supervisor. It is a good idea to locate the Acknowledging Supervisor's radio in a good RF coverage area of the system, so not to go out of range. Having a designated RF channel and slot that is specifically used for managing emergencies, lowers the possibility of encountering a busy system when there is heavy emergency traffic.

In larger systems the Acknowledging Supervisor's role in a centralized configuration is often referred to a Dispatcher. It is not expected that this Acknowledging Supervisor will leave his location and actually resolve the emergency himself. His role is to contact and dispatch other resources to handle the emergency that was reported. The Acknowledging Supervisor is able to switch channels to dispatch assistance to the Emergency Initiator, and then switch back to the emergency channel.

In some cases multiple Centralized configurations may be required. This is often needed when the number of users becomes too much for one Acknowledging Supervisor to handle, or if the customer's organization is broken into multiple organizations that have their own Acknowledging Supervisor. This may also be required if a system contains multiple repeaters with non-overlapping RF coverage. While operating on one site, a radio may not be in range of another site, therefore if he were to revert to the other site to process an emergency, he may not be in the coverage range of the repeater to complete the transmission. In this scenario, it is recommended that an Acknowledging Supervisor be designated for each RF coverage range. This would require a radio be configured to revert to channels within RF coverage of the selected channel.

In order to revert to a Centralized channel, the Emergency Initiator needs to select the channel that is configured with a Digital Emergency System, and has its Emergency Revert Channel set to the designated Emergency Channel in the CPS. Since this is configured on a per channel basis, a radio could be configured to operate differently based on the selected channel. There are 32 Digital Emergency Systems available. This means that one radio can be configured to revert to 32

different channels, depending on the configuration of the Digital Emergency System that is assigned to the selected channel.

It is not recommended that a Centralized emergency strategy be implemented using Emergency Initiators operating Tactically and one Acknowledging Supervisor scanning multiple channels. When multiple emergencies occur simultaneously it is more effective for the Emergency Initiators to come to the Acknowledging Supervisor rather the Acknowledging Supervisor searching for the Emergency Initiators.

4.13.7.3 Acknowledging Supervisors in Emergency

The emergency strategy of the Acknowledging Supervisor himself should be considered. Since this user is the one identified to handle emergencies, who should he attempt to contact if he has an emergency. In a tactical environment, the user may only need to change or possible “revert” to another channel to contact another Acknowledging Supervisor. In a centralized configuration with multiple dispatchers, one Acknowledging Supervisor dispatcher could be configured to revert to the other Acknowledging Supervisor dispatcher. If there is no other individual to contact, the Acknowledging Supervisor may simply wish to operate tactically, and transmit his emergency on the selected channel so that the Monitoring Supervisors can be contacted.

4.13.7.4 Extended Emergency Call Hang Time

As previously described, the MOTOTRBO repeater reserves the channel for a short duration after a voice transmission. By default the call hang time associated with an emergency is slightly larger than those for Group Calls and Private Calls. The repeater can be configured to extend the call hang time for Emergency Calls even longer to provide an additional opportunity for the Emergency Initiator or Emergency Acknowledger to communicate without competing with other users.

4.13.7.5 Emergency Revert and GPS/Data Revert Considerations

During registration with the Location Server the radio receives a periodic location update request and an emergency location update request. When the radio enters the emergency state it will attempt to transmit the emergency location update response on a specific channel. The transmission channel of this message is defined by the radio’s Emergency Mode (Emergency Alarm, Emergency Alarm with Call or Emergency Alarm with Voice to Follow) and its GPS Transmission Channel (Selected or Revert). Understanding which channel is used for the Emergency Location Update is important, as a control station is required on that channel to enable the reception of the message by the Application Server. For more information on emergency handling, see See “Emergency Handling Strategies” on page 345.

The following sections define how Emergency Revert and GPS Revert interact when the Emergency Revert Channel contains a GPS Revert Channel and the radio received a Emergency Location Update Request on the Selected Channel. These are sample scenarios intended to aid in understanding the interactions. The following sections use a direct mode configuration to simplify the diagrams, though they can also be applied to repeater mode. The radio initiating the emergency has been configured with the following channels; GROUP1, LOCATION 1, EMERGENCY and LOCATION2. The TX/RX frequency, the GPS Transmission Channel and the Emergency Revert Channel for each of the four configured channels are listed in the table below.

	GROUP 1	LOCATION 1	EMERGENCY	LOCATION 2
Transmit/Receive Frequencies	F1	F2	F3	F4
GPS Transmission Channel	LOCATION 1	None	LOCATION 2	None
Emergency Revert Channel	EMERGENCY	None	None	None

4.13.7.5.1 Emergency Alarm

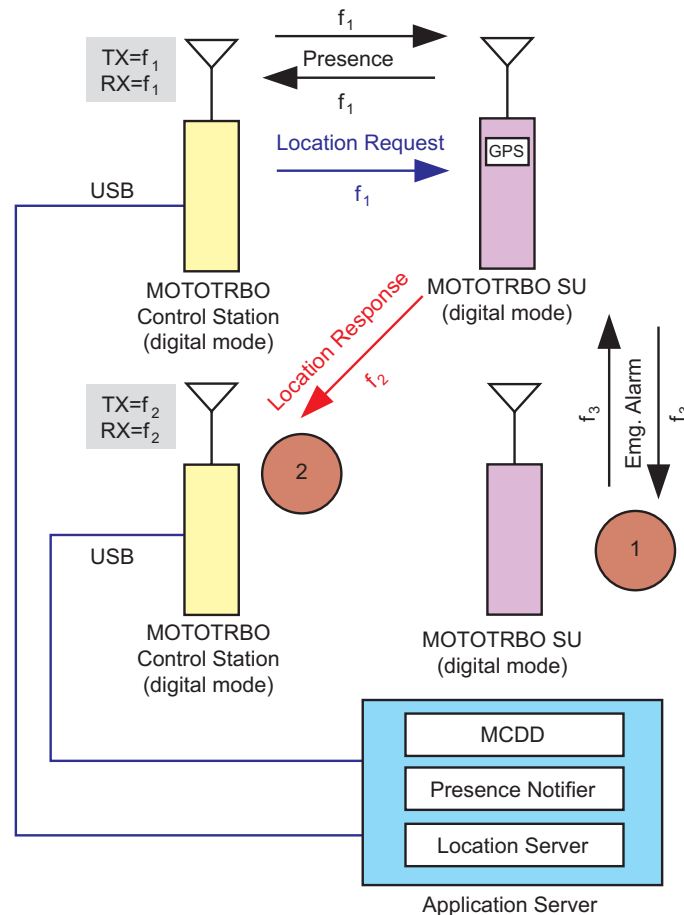


Figure 4-27 Emergency Alarm and GPS Revert Interaction Diagram

Figure 4-27 illustrates the channels used when an emergency is initiated and the radio is configured for Emergency Alarm Only with an Emergency Revert Channel and the Emergency Revert Channel is configured with a GPS Revert Channel. (Note: The channels are defined in the table in the previous section). The following describes the sequence of events.

1. The radio switches from the Selected Channel, f_1 , to the Emergency Revert Channel, f_3 . From here the radio transmits the Emergency Alarm and waits for the acknowledgement. While waiting for the acknowledgement, the Emergency Location Update is held in queue.
2. Once the acknowledgement is received the radio switches back to the selected channel, f_1 , and transmits the Emergency Location Update.

Therefore, in this scenario the GPS Revert Channel associated with the Emergency Revert Channel has no impact on the channel used to transmit the Emergency Location Update.

4.13.7.5.2 Emergency Alarm and Call

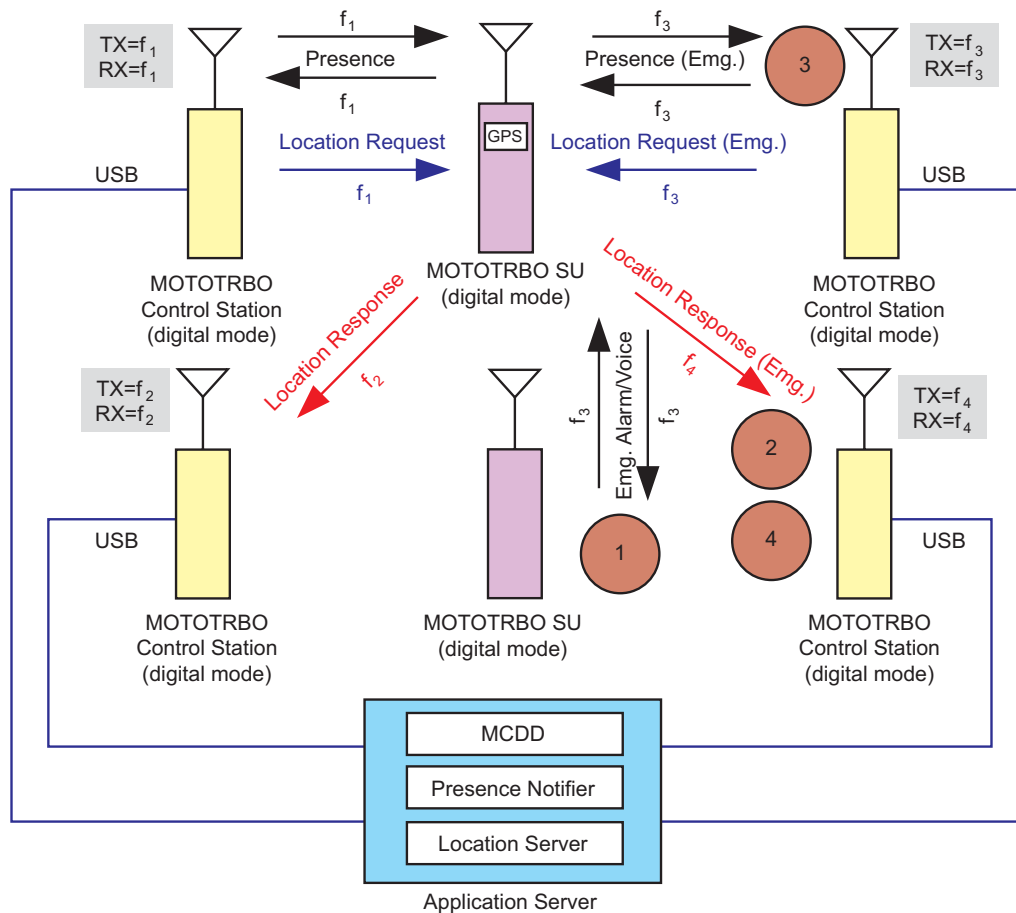


Figure 4-28 Emergency Alarm and Call and GPS Interaction Diagram

Figure 4-28 illustrates the channels used when an emergency is initiated and the radio is configured for Emergency Alarm and Call with an Emergency Revert Channel and the Emergency Revert Channel is configured with a GPS Revert Channel. (Note: The channels are defined in the table in the previous section) The following describes the sequence of events.

1. The radio switches from the Selected Channel, f_1 , to the Emergency Revert Channel, f_3 . From here the radio transmits the Emergency Alarm and waits for the acknowledgement. While waiting for the acknowledgement, the Emergency Location Update is held in queue.
2. Once the acknowledgement is received, the radio switches to the Emergency Revert's GPS Revert Channel, f_4 , and then transmits the Emergency Location Update.
3. After this transmission, the radio switches to the Emergency Revert Channel, f_3 , and while not being involved in voice calls, it registers. (Note: This requires the Emergency Revert Channel to be ARS enabled.)
4. After registration, periodic location updates are sent on the Emergency Revert's GPS Revert Channel, f_4 , until the emergency is cleared.

This configuration in Figure 4-28 is useful when a system needs to simultaneously support multiple Emergency Calls from multiple groups on a single Emergency Revert Channel. The placement of Emergency Calls on the Emergency Revert Channel and the location updates on a different channel significantly increases both emergency voice throughput and Location Update throughput while in the emergency state. It should be noted that changing the Emergency's GPS Transmission Channel to either the Selected Channel, f_1 , or the Emergency Revert Channel, f_3 , removes one control station from the system. The actual configuration selected depends on actual customer requirements.

4.13.7.5.3 Emergency Alarm with Voice to Follow

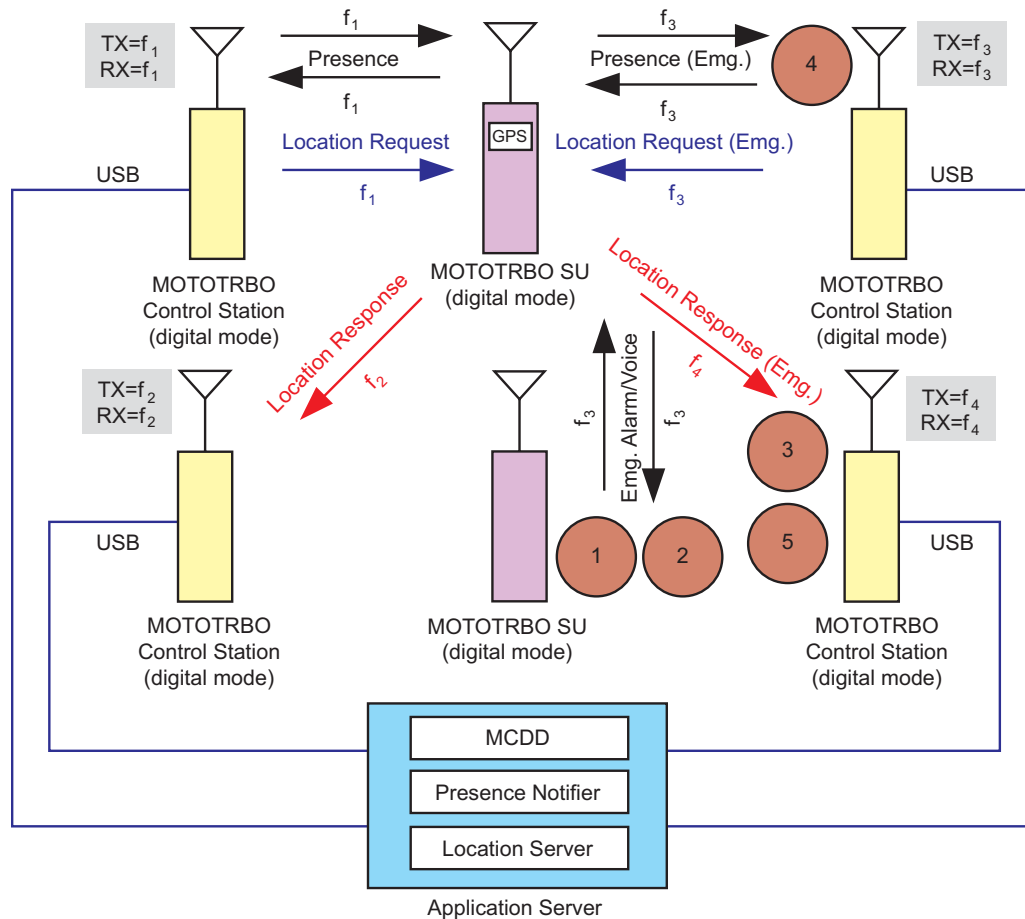


Figure 4-29 Emergency Alarm with Voice to Follow and GPS Revert Interaction Diagram

Figure 4-29 illustrates the channels used when an emergency is initiated and the radio is configured for Emergency Alarm with Voice to Follow with an Emergency Revert Channel and the Emergency Revert Channel is configured with a GPS Revert Channel. (Note: The channels are defined in the table in the previous section) The following describes the sequence of events.

1. The radio switches from the Selected Channel, f_1 , to the Emergency Revert Channel, f_3 , and then transmits one Emergency Alarm.
2. The radio stays on the Emergency Revert Channel, f_3 , and initiates an emergency voice call. During the emergency voice call the Emergency Location Update is held in queue.

3. Once the emergency voice call ends, the radio switches to the Emergency Revert's GPS Revert Channel, f4, and transmits the Emergency Location Update.
4. After this transmission, the radio switches to the Emergency Revert Channel, f3, and while not being involved in voice calls, it registers. (Note: This requires the Emergency Revert Channel to be ARS enabled.)
5. After registration, periodic location updates are sent on the Emergency Revert's GPS Revert Channel, f4, until the emergency is cleared.

This configuration in Figure 4-29 is useful when a system needs to simultaneously support multiple Emergency Calls from multiple groups on a single Emergency Revert Channel. The placement of Emergency Calls on the Emergency Revert Channel and the location updates on a different channel significantly increases both emergency voice throughput and Location Update throughput while in the emergency state. It should be noted that changing the Emergency's GPS Transmission Channel to either the Selected Channel, f1, or the Emergency Revert Channel, f3, removes one control station from the system. The actual configuration selected depends on actual customer requirements.

4.13.8 Channel Access Configuration

Channel access methods must be specified in the radio's codeplug for each channel via the CPS, that is the TX (Transmit) parameters for each defined channel contains an Admit Criteria option that must be set to one of the 3 possible values described below.

- Always,
- Channel Free, or
- Color Code Free.

An Admit Criteria of *Always* is sometimes referred to as "impolite channel access". An Admit Criteria of *Channel Free* is referred to as "polite to all". Finally, an Admit Criteria of *Color Code Free* is referred to as "Polite to own color code". In polite mode, the radio will not transmit on a channel if there is any activity detected on that channel. In impolite mode, the radio will transmit on a channel regardless of any activity on that channel. When operating in impolite mode a radio user will cause RF contention if there is another call on the same slot currently in progress. See "MOTOTRBO Channel Access" on page 22.

Radio users provisioned for polite operation need only press their PTT to determine if they can transmit or not. A Talk Permit Tone or Talk Denial Tone indicates if they have been granted or denied access. Impolite users are allowed to transmit regardless if the channel is busy or idle, although they would still need to wake the repeater.

It is important to note that the LED busy indication on the radios represents the presence of RF activity on the selected channel and is not specific to the digital slot currently being monitored. Therefore, if the LED indicates no RF activity on the channel, the radio user can be sure their slot is idle. However, if the LED indicates the presence of RF activity on the channel, the radio user will not know if their slot is actually idle or busy. If the radio users transmit when the LED indicates a busy channel, there is a chance their transmission will collide with another transmission. Care should be taken since RF collisions in digital mode most likely results in both transmissions not reaching their intended target. Therefore, it is highly recommend that only well trained and disciplined radio users are configured to have impolite channel access.

4.13.9 Zones and Channel Knob Programming

The MOTOTRBO radio is capable of being programmed with up to 160 channels. Each radio has a 16 position selector knob/switch, in which various channels and call types can be programmed. In order to maximize the programming capability of the radio, the concept of “zones” is introduced. Zones can be created on the radio through the channels menu of the CPS. A “zone” can contain up to 16 channels that are mapped to the 16-position top selector knob of the portable radio or the channel number selector on a mobile. Radio users that require more than 16 channels must organize them into multiple zones in the CPS, so that they can be accessed as “zones” in the radio menu. From the radio menu, the user can navigate to the “zones” icon, select it, and switch to a different zone. When in the different zone, the 16 position selector knob/switch is now programmed with that zone’s channels and call types. It is recommended that the Zone should be given aliases that can be understood by the end user.

4.14 Base Station Identifications (BSI) Setting Considerations

Base Station Identification (BSI), sometimes referred to as CWID, is used to identify the licensee operating a repeater or base station. Some form of station identification is usually necessary to comply with the requirements of the local radio regulatory authority.

The transmission time of the Base Station ID (BSI) is proportional to the number of characters in the BSI. To improve channel efficiency, it is recommended to keep the BSI length short. The content of the BSI needs approval from regulatory bodies (e.g. FCC in USA). Regulatory bodies and their regulations may vary from nation to nation, thus customers are required to understand their own national laws and regulations while selecting BSI characters and its length.

BSI is available on the MOTOTRBO repeater when configured for analog or digital mode. In both modes, BSI is generated using a sinusoidal tone modulated on an analog FM carrier. The station transmits the configured Morse code alphanumeric sequence when one of two configured BSI timers has expired. The Exclusive BSI Timer is named *TX Interval* in CPS and the Mixed with Audio Timer is named *Mix Mode Timer* in CPS. The goal of these two timers is to minimize the impact to the ongoing traffic while still being compliant with regulatory authorities.

TX Interval is used to configure an "Exclusive BSI" which is sent the next time the repeater de-keys. The *Mix Mode Timer* is used to configure a "Mixed with Audio" which is mixed with the analog audio on the channel. Mixed with Audio BSI is only utilized when configured for analog operation. Mixing BSI with digital audio is not supported in MOTOTRBO.

When the Exclusive BSI Timer expires, the repeater transmits BSI the next time the repeater de-keys. This allows the BSI to be transmitted without disrupting on going voice, which is ideal. Furthermore, if the Exclusive BSI Timer expires while the repeater is not active (no subscriber activity) the repeater does not wake up and send BSI. Instead, it waits until the next transmission occurs and then transmits BSI upon de-key. BSI is only required during times of activity. Note that Exclusive BSI is interruptible in analog mode if the repeater receives a radio transmission. If interrupted, the BSI is attempted again at the next de-key. Also, whenever the repeater is forced to de-key due to a Time Out Timer expiring, it takes the opportunity to transmit an Exclusive BSI. Exclusive BSI is non-interruptible in digital and Dynamic Mixed modes.

When the "Mixed with Audio" BSI Timer expires, the repeater performs the BSI mixed with the on going audio on the channel. It is very important to note that there is a two minute hold-off timer when the repeater first keys up. The purpose of this additional hold-off timer is to make sure that the BSI is not mixed with audio immediately after being de-keyed for a long duration. This delay gives the repeater a chance to transmit the exclusive BSI before interrupting the audio.

Both the Exclusive BSI Timer and the Mixed with Audio Timer are reset after completion of a BSI transmission.

It is recommended that the Exclusive BSI Timer (*TX Interval*) is set at 75% of the regulatory authority's required BSI period and the Mixed with Audio BSI (*Mix Mode Timer*) is set at 95% of the regulatory authority's required BSI period. This way, the repeater begins attempting to send the BSI exclusively well before the required time. This interrupts the voice with mixed BSI as it gets closer to the required period if it has not found an opportunity to perform BSI exclusively.

BSI can be completely disabled by setting both the Exclusive BSI Timer and the Mixed with Audio BSI Timer to 255 in the CPS. It is not a valid configuration to disable the Exclusive BSI and only

have the Mixed with Audio BSI enabled. This results in only Mixed with Audio BSI being sent in scenarios where the repeater is keyed for two minutes.

If the Exclusive BSI Timer is enabled, and the Mixed with Audio BSI is disabled, it is possible that during periods of heavy use, the BSI will not be generated within the configured time period. For analog, it is recommended that the Mixed with Audio BSI is enabled at all times.

Since Mixed with Audio does not operate in digital mode or in Dynamic Mixed Mode, it is possible that during extended periods of high activity the repeater never has a chance to de-key, and would therefore never have a chance to send BSI. This is more likely on a highly loaded GPS only repeater. This should be combated by lowering the traffic on the channel or by lowering the subscriber inactivity timer (SIT) in the repeater. This de-keys the repeater quicker between transmissions and provide a higher chance of de-key and therefore a higher chance of sending Exclusive BSI in the desired time frame.

Since Exclusive BSI is interruptible in analog mode, a situation may arise where extended periods of high activity may cause the repeater to continually de-key, attempt BSI and then be interrupted by another inbound transmission. The de-keying and re-keying of the repeater causes the hold off timer to be reset and the Mixed with Audio BSI is never triggered unless a particular transmission lasts over two minutes. In this case, it is recommended that the hangtime be increased so that the repeater does not de-key between every transmission. If this period of high activity occurs longer than two minutes, the Mixed with Audio occurs, otherwise the Exclusive BSI occurs during a period of decreased traffic load.

It may not be desirable to enable Mixed with Audio BSI with the use of analog data (i.e. MDC or VRM data). The mixing of the BSI with the analog signalling will most likely cause the signalling to become corrupted.

4.15 GPS Revert Considerations (For Single Repeater and IP Site Connect only)

GPS revert, when used correctly, can significantly improve the integrated voice and location data performance of a system. In order to maximize location throughput while minimizing missed data (text, telemetry, etc.) and voice transmissions, there are a number of factors that must be considered.

- Non-location update traffic should not be transmitted on the GPS Revert Channel when attempting to maximize the Location load on the GPS Revert Channel.
- Avoid adding the GPS Revert Channel into the Scan List if the location load is high, as scanning radios will often land on this channel and qualify traffic that is not for them. This can slow down scanning.
- While in repeater mode, avoid placing the alternate slot associated with GPS Revert Channel into the Scan List if the location load is high. Scanning radios will often land on this channel to qualify traffic that is not for them. This can slow down scanning.
- For single site and IP Site Connect modes, the revert channel must be set to “Selected” on the radio used as the control station.
- It is not recommended to use a portable as a control station, but if a portable is used as a control station then battery saver mode should be disabled since the Location Update messages will not be preceded with preambles.
- Voice, data or control messages that are sent to a radio on the GPS Revert Channel will not be received. The radio is only on the GPS Revert Channel to transmit location updates and it DOES NOT qualify activity on this channel.
- If group data is to be supported on a system, the inclusion of preambles should be added to minimize the occurrence of the group data message being missed while a radio is on the GPS Revert Channel.
- Avoid situations where a large number of subscribers are powered on in a relatively short period of time as this causes a flood of registration messages that impacts the voice quality of service on the Selected Channel during the registration process. See “GPS Revert and Loading” on page 257 for recommendations on minimizing impact when using Motorola applications.
- In order to minimize users from inadvertently changing a radio to the GPS Revert Channel, it is recommended that the GPS Revert Channel(s) is placed in a different zone than the primary voice and data channel(s).

4.16 Enhanced GPS Revert Considerations

Below is a summarized list of items to keep in mind when configuring the Enhanced GPS feature in a system:

- All data messages (including GPS) from the option board are not supported over the Enhanced GPS Revert channel.
- If a repeater slot configured as “Enhanced GPS Revert” is power cycled, the subscriber’s GPS updates scheduling begin again because the scheduling information is not stored in the repeater’s memory.
- The window size on all repeaters and subscribers should match.
- GPS data must be configured as “unconfirmed” on the GPS Revert channel on the radio.
- Enhanced GPS only needs to be enabled on the Enhanced GPS Revert channel of the radio, and **not** on the Home channel. However, if header compression is planned for use, then this feature needs to be enabled on the Home channel instead.
- For single site and IP Site Connect modes, the revert channel must be set to “Selected” on the radio used as the control station.
- Only Enhanced GPS-configured subscribers can work on the Enhanced GPS Revert channel. This feature do **not** support the following configurations:
 - *Legacy revert repeaters working with Enhanced GPS Revert subscribers*
 - *Legacy subscribers working with Enhanced GPS Revert repeaters*
 - *Legacy repeaters working with Enhanced GPS Revert repeaters in IP Site Connect mode*
- An application making a periodic request with the Enhanced GPS feature should only make a request with a cadence of 0.5, 1, 2, 4, and 8 minutes. If the cadence is different, the subscriber responds with a LRRP error message “PROTOCOL_ELEMENT_NOT_SUPPORTED”. This is also valid for persistent requests.
- A radio can only have one periodic request at a time. If “Persistent Storage” is enabled on the radio, the user must send a Triggered-Location-Stop-Request from the application before sending a new periodic request. If the user needs to change the application, then the user should either delete all requests from the Persistent Storage via the CPS or ensure that a Triggered-Location-Stop-Request is sent from the first application before a new periodic request is sent by the new application.
- The ARS initialization delay feature is recommended if a customer plans to use Enhanced GPS in a system that has many subscribers powering on at the same time and all of them need ARS. This helps to reduce ARS collisions at power up. More details in See 2.4.3.6.1 ARS Initialization Delay.
- If CWID is enabled, no GPS updates will be sent out while CWID is being transmitted. The user can choose to disable CWID via the CPS if needed.
- If there are free windows available in a system, these may be used by the repeater to go into hibernate mode. Hence, reserving more one-time windows (running at 60% or 45% capacity) increases the chances of hibernation.

4.16.1 Single Site Mode

In Single Site Conventional mode, all location responses are sent over the repeater slot configured as Enhanced GPS revert. The following two configurations are possible:

1. **One slot configured as Enhanced GPS Revert and another slot for voice and data:** In this configuration, only location responses are sent over the Enhanced GPS Revert channel. Voice, text messages, ARS, and other data are sent over the other slot.
2. **Both slots configured for Enhanced GPS Revert:** This configuration is recommended if the number of subscribers sending location updates exceeds the capacity of one Enhanced GPS slot. In this case, a second repeater would be needed to support voice, text messages, ARS and other data.

4.16.2 Capacity Plus and Linked Capacity Plus Modes

In Capacity Plus and Linked Capacity Plus modes, all location responses and ARS registration messages are sent over the repeater slot configured as Enhanced GPS revert. A data revert repeater can be configured for Enhanced GPS revert and the following two configurations are possible via the CPS:

1. **One slot configured as Enhanced GPS Revert and another slot for Data Revert:** In this configuration, GPS and ARS registration data are sent over the slot configured as Enhanced GPS revert. All other data and voice either goes on the Data Revert slot or on the Trunked Channels.
2. **Both slots configured for Enhanced GPS Revert:** This configuration is recommended if the number of subscribers sending location updates exceeds the capacity of the Enhanced GPS throughput of one slot. In this configuration, a separate data revert repeater or trunked repeaters can be used for other data such as voice, text messages, and server bound data.

4.16.3 IP Site Connect Mode

In IP Site Connect mode, GPS updates are routed on the slot configured as wide area Enhanced GPS revert slot. Two configurations are possible via the CPS for a wide area Enhanced GPS Revert system:

1. **One slot configured as Enhanced GPS Revert and another slot for voice and data:** In this configuration, one slot of all the peers in the network is configured for Enhanced GPS operation while the other slot can be used for voice, ARS, text messages, and all other server data.
2. **Both slots configured for Enhanced GPS Revert:** This configuration is recommended if the number of subscribers sending location updates exceeds the capacity of the Enhanced GPS throughput of one slot. In this configuration, the entire IP Site Connect system will be used for sending location updates only.

4.16.3.1 Other Considerations

- Only one repeater in the wide area Enhanced GPS Revert system should select a value for “Period Window Reservation” in the CPS. All other repeaters should choose a value of “None” for this field.
- If the inter-repeater communication delay is more than 60 milliseconds, then the window size should exceed 7.

4.17 Enhanced Channel Access Consideration

The Enhanced Channel Access (ECA) feature is a channel access procedure in which a call initiating radio transmits a channel access request and listens on the channel to determine the status of the request. The radio continues with the transmission of the call only when access to the channel is obtained. Only one of the requesting radios can obtain channel access to proceed with the call transmission. The ECA provides the ability to reserve a channel over-the-air for one of the call initiating radios, and provide exclusive access to that radio for a short duration.

Enhanced Channel Access is a Motorola proprietary feature and is not defined in the DMR standard. It is applicable only in repeater mode (Single Site Conventional and IP Site Connect only) of operation. It is not required in Capacity Plus or Linked Capacity Plus modes because their call startup processes implicitly including ECA.

4.17.1 Enhanced Channel Access Advantages

- Improves voice/data call success rate by minimizing over-the-air call collisions due to multiple radios keying up within close proximity
- Prevents call transmission when the radio is out of inbound range (but within the outbound range) and provides correct call status indication to the user
- Improves the GPS data success rate on the GPS revert channel by minimizing collisions
- Prioritized channel access for an initiating radio to proceed with a call, among other radios

4.17.2 Enhanced Channel Access Limitations

Enhanced Channel Access is configurable on the radio and can be enabled or disabled on a conventional digital channel, IPSC LACs, IPSC WACs and GPS/Data Revert Channel. However, ECA is built into Capacity Plus Trunked Channels and not configurable by the user. This feature is disabled and not required when the Enhanced GPS feature is enabled on the channel, because each radio transmits during an assigned time window.

When enabled in the radio, the repeater supports ECA on conventional digital channels, IPSC LACs, IPSC WACs and Capacity Plus Data Revert Channels. However, the repeater does not support this feature on Enhanced GPS and DMM channels.

When enabled, ECA is applicable only to polite transmissions initiated by the radio user. If the Admit Criteria in the radio is configured as *Channel Free* or *Color Code Free*, the radio applies the ECA procedure when a voice call is initiated. If the Admit Criteria is configured as *Always*, the ECA procedure is not applied. Data and CSBK calls are always polite transmissions, regardless of the configured Admit Criteria. Therefore, ECA is applied during call transmission if the feature is enabled. However, this slightly increases the system/voice access times for voice calls and latency for data, CSBK calls.

When a radio auto roams to a new site in an IPSC system configuration, the radio applies the ECA configuration from the roamed channel and the Admit Criteria from the selected channel.

For phone calls occurring in all system configurations, ECA is enabled by default to achieve optimum performance. It is also recommended to enable ECA on all radios accessing the channel to derive maximum benefit from the feature. For a correct and reliable operation, it is strongly recommended to upgrade the repeater firmware version to R01.08.00 or later, before initiating calls with the ECA feature enabled on the radio.

4.18 Failure Preparedness

4.18.1 Direct Mode Fallback (Talkaround)

A repeater channel is defined by having different receive and transmit frequencies, and any channel that is programmed with the CPS to have different receive and transmit frequencies will be considered to be a repeater channel and the MOTOTRBO radio will expect a repeater operating on that channel. The radio user will get an access-denied tone if there is no repeater available or if the radio is out of range of the repeater. Channels defined as repeater channels in CPS can be modified to operate in Talkaround mode via user selection from the menu or a programmable button. When a repeater channel is thus modified to operate in Talkaround mode, the transmit frequency is set equal to the receive frequency, and it effectively becomes a direct mode channel. The system now performs similarly to the direct mode topologies we have previously described.

Occasionally, Talkaround mode is incorrectly referred to as “direct mode”, but they are different. Direct mode is a mode of operation in a system environment whereby no repeaters are present. Talkaround mode is direct radio-to-radio communication for systems that primarily use a repeater but occasionally communicate without a repeater.

4.18.2 Uninterrupted Power Supplies (Battery Backup)

To determine the UPS capacity you will need, follow these simple steps:

1. List all equipment to be protected by the UPS on a worksheet.
2. Read the nameplate data on each of the devices listed. Write down the voltage and amperage for each device.
3. Multiply the voltage by the amperage of each device to calculate the Volt/Amps (VA). Some equipment, such as PC power supplies, may be marked with a power consumption measured in Watts. To convert Watts to VA, simply divide Watts by 0.65 (for a power factor of 0.65), or multiply by 1.54. The power factor refers to the relationship between the apparent power (volt-amps) required by the device and the actual power (watts) produced by the device.
4. Total the VA for all devices you want to protect with the UPS and enter it in the “Subtotal” field.
5. Multiply the subtotal found in Step 4 by 0.25 and enter it as the “Growth Factor”. This number takes into account room for future growth. This growth factor allows for a 5% rate of growth for each year over a five-year period.
6. Add the “Growth Factor” to the “Subtotal” to get the “Required VA”. Now you can select the appropriate UPS model by choosing a model that has a VA rating at least as large as the “Required VA” that you calculated.

4.19 Dynamic Mixed Mode System Design Considerations

During Dynamic Mixed Mode operation, the repeater dynamically switches between analog and digital modes to transmit analog and digital calls. It is only supported in Single Site Conventional mode. A Dynamic Mixed Mode channel is a programmable channel in the repeater and the channel can be added using the CPS.

To support DMM feature in the repeater, the following design rules have been laid out.

1. Once a call type (analog or digital) has been qualified, the repeater will not try to qualify another call type until the current call is complete, including the call hang time hang and channel hang time. For digital calls, the hang time needs to be expired on both logical channels. Analog call type includes an over-the-air call or any operation (PTT, pin knockdown) on the 4-wire Analog Repeater Interface (ARI) trying to access the repeater.
2. Analog console device(s) are supported only when the repeater has not qualified an over-the-air digital call. An audible alert (channel busy tone) is generated over the speaker and Rx audio pins on the 4-wire repeater interface to indicate that the channel is busy and that the console access has been denied.
3. Only PL (DPL/TPL) squelch type repeat is supported in MOTOTRBO repeater as CSQ repeat is not supported. However, if the receive squelch type is configured to CSQ, the received audio is sent over the Rx audio accessory pin for community repeater operation.
4. To ensure proper Dynamic Mixed Mode operation, only exclusive CWID transmission is supported in MOTOTRBO repeater operating in Dynamic Mixed Mode, while mixed CWID is not supported in order to be compliant with the digital mode of operation. Furthermore, the exclusive CWID transmission cannot be interrupted by either over-the-air or repeater accessory PTT transmission.

4.19.1 Dynamic Mixed Mode System Configuration Considerations

A few repeater and subscriber configuration recommendations have been laid out to ensure proper Dynamic Mixed Mode system operation.

1. For analog repeater operation, configure the Rx and Tx squelch types as PL (TPL or DPL) in the repeater. The Dynamic Mixed Mode repeater does not repeat if Rx squelch is configured as CSQ.
2. Configure the Tx and Rx squelch types as PL (TPL or DPL) in both legacy analog and MOTOTRBO radios. If Rx squelch type is configured as CSQ, the radios will unmute to digital transmission and play out digital noise.
3. Configure the admit criteria of both analog and digital radios to be polite to each other. MOTOTRBO radio configuration recommendations are provided in the table below. For legacy analog radios, it is recommended to configure the polite rule as Busy Channel Lockout on Wrong PL code.
4. If MOTOTRBO radios need to communicate on their digital channels with the legacy analog radios or with MOTOTRBO radios on analog channels, the digital channels can be configured to scan for analog channels by way of scanning DPL or TPL. Scanning may result in an initial audio truncation and the truncation depends on the number of scan members in the Scan List. To prevent loss of digital data transmission, it is recommended to configure the preamble duration as per the recommendations listed in "Scan Considerations" on page 69.

5. It is recommended to have a digital channel as the home channel and add the analog channels to the Scan List. This is because the scanning radios can receive data messages only on the home channel.
6. Priority sampling and channel marking CPS configurations are recommended to be disabled in Dynamic Mixed Mode system. Refer to "Priority Sampling" on page 67 and "Channel Marking" on page 68 for more details.

Some of the CPS configuration recommendations are listed below.

Repeater Configuration	Description
Channel	Add a new DMM channel and program the parameters in that channel.
Repeater Type	Configure this to Single Site. IP Site Master and IP Site Peer configurations are not supported in Dynamic Mixed Mode system.
SIT	<p>Configure SIT so that the channel hang time (SIT – Group/Private/Emergency Call Hang time) is as small as possible. This allows analog users to get almost immediate channel access once a digital call ends.</p> <p>Channel Hang Time = SIT – Call Hang Time</p> <p>Example: When SIT = 7 seconds and Group Call hang time = 5 seconds, Channel hang time = 2 seconds for that group voice call.</p> <p>Example: When SIT = 7 seconds and Private Call hang time = 4 seconds, Channel hang time = 3 seconds for that private voice call.</p>
Rx Squelch, Tx Squelch	<p>Configure this to TPL or DPL for non-community repeater operation. Received audio is repeated out.</p> <p>OR</p> <p>Configure this to CSQ for community repeater operation. Received audio will not be repeated out. The audio is instead sent over the Rx audio accessory pin.</p>
Strip PL	Check this box to ensure that PL is not added to CWID.

Radio Configuration	Description
TX Preamble Duration	<p>This duration depends on the number of scan members in the Scan List. Refer to "Scanning and Preamble" on page 70 for more details.</p> <p>If the radios are required to scan analog channels, then it is recommended that the digital channels scan as few in number of analog channels as possible.</p>
Rx Squelch Type	<p>Configure this to TPL or DPL.</p> <p>If configured for CSQ, the radios unmute to all digital transmissions and play digital noise.</p>
Tx Squelch Type	<p>Configure this to TPL or DPL.</p> <p>Repeater does not repeat if there is no PL in its received signal.</p>

Radio Configuration	Description
Admit Criteria	Configure Analog channel Admit Criteria to "Correct PL". Refer to "Polite to Other Analog System Operation (Admit Criteria of "Correct PL")" on page 24 for more details. Configure Digital channel Admit Criteria to "Channel Free". Refer to "Polite to All Operation (Admit Criteria of "Channel Free")" on page 23 for more details.
Priority Scanning	Disable priority scanning on all scan members in the Scan List.
PL Type (in Scan List)	It is recommended to configure this to Non-Priority channel so that PL decoding is performed on non-priority Scan List member channels.
Channel Marker (in Scan List)	Disable channel marker.
Talkback	Check this box to allow the radio to talk back on the channel it unmuted during the scan.
Tx Designated Channel	Choose "Selected" or one of the configured scan members as needed. However, it is not recommended to configure the "Last Active Channel".
Analog Hang Time	Configure this value to as small as possible so that the radios can start scanning immediately.
Digital Hang Time	In a DMM system, the repeater reserves the channel for digital calls till the end of SIT + 1 second. Since no analog calls are allowed until then, it is recommended to configure this to SIT + 1 second.
RSSI Threshold	Adjust this value based on the RF interference level. Refer to section 2.2.3 for a more detailed description of this field.

4.19.2 Loading Considerations in a Dynamic Mixed Mode System

A digital transmission may occupy a repeater's physical channel for twice as long as an analog transmission since there are 2 logical digital channels on each physical channel and transmissions may occur on each logical channel one after another. With a relatively small number of digital radios in Dynamic Mixed Mode system, it is recommended to configure digital radios to operate on only one logical channel during migration to provide fair channel access between analog and digital transmissions. As more digital radios start replacing the analog radios, distribute some of the digital radios to use the other logical channel. It is important to note that heavy users of one category (analog or digital) will occupy the channel longer than the users in the other category when they are in a polite system configuration.

It is recommended to keep digital channel hang time to the minimum, or as low as possible, to allow fair channel access between analog and digital calls. However, with a smaller channel hang time, the system access time for digital calls may increase due to the fact that the radios need to wake up the repeater before calls.

4.20 Over-the-Air Radio Programming Design Considerations

4.20.1 Advanced Over-the-Air Radio Programming Configurations

The configuration software has some basic deployment options when OTAP is desired. The CPS application works the same regardless of the underlying system architecture. There are no settings within the application for the specific system configuration, besides those to be programmed into the radios. This section highlights some special system configurations and some considerations that should be taken when utilizing them. Unless specifically noted, these configurations can be used with or without a PN, with or without a remote CPS Client, and up to 16 control stations.

NOTE: Systems with multiple channels require an MCDD, which requires a PN to update the MCDD routing.

4.20.1.1 Control Station Configuration

The control station must be configured with the appropriate system type parameters for the channel or system being monitored. Additionally, the control stations connected to the CPS Server and Device Programmer must be configured with all the following parameters:

- Confirmed data enabled
- UDP header compression disabled
- All voice privacy keys utilized in the system
- Unique radio ID
- ECA enabled

Failure to properly set these parameters could result in diminished coverage, longer delivery and retrieval times, or no communication at all. These settings apply to all system types.

UDP header compression increases the number of lower layer headers, which decreases reliability. The decrease in reliability is not worth the benefits of the compression in case of large messages. ECA minimizes the impact of voice transmissions colliding with OTAP data. It is suggested that ECA is enabled on all radios within the system if OTAP is utilized.

In some configurations, the multiple control stations used by CPS may have matching radio IDs. However, their radio ID should not match that of another radio in the field.

It is recommended to use next generation MOTOTRBO mobiles (R02.10.00 or later) as CPS control stations, since they assure minimal impact to the radio system performance during over-the-air transmissions. Older MOTOTRBO mobiles, when used as control stations, do not have the ability to prioritize voice over data traffic.

If no MCDD is utilized, a static, persistent route is required in the PC so that messages are routed out of the control station and not out of any other network interface.

4.20.1.2 Conventional Configurations

There is little difference between the basic deployments in conventional system types such as direct mode, single site repeater, and IP Site Connect. The only settings that are different are the system specific parameters of the control station. Below are three basic examples.

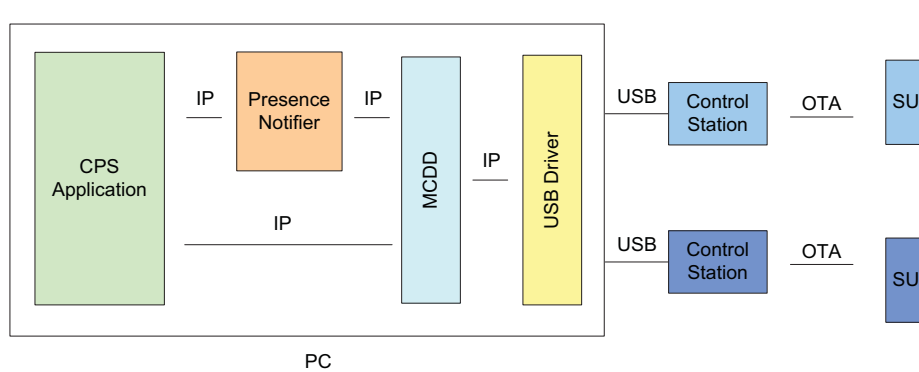


Figure 4-30 Multi-Channel CPS Application in Direct Mode

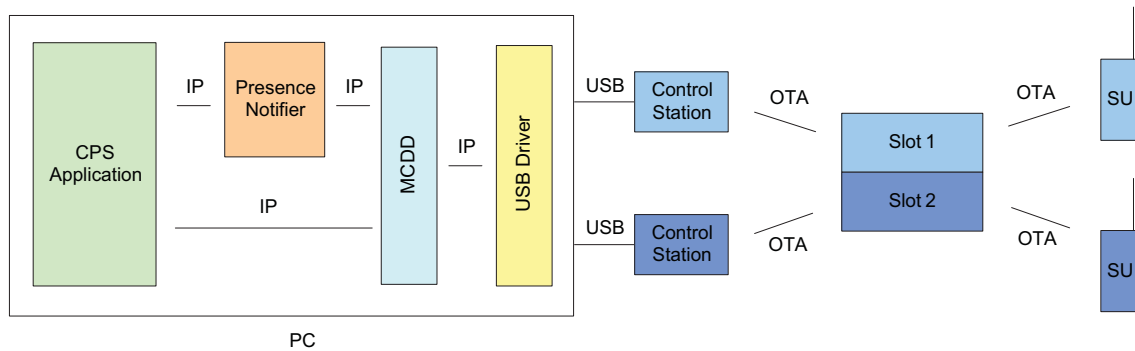


Figure 4-31 Multi-Channel CPS Application in Single Site Repeater Mode

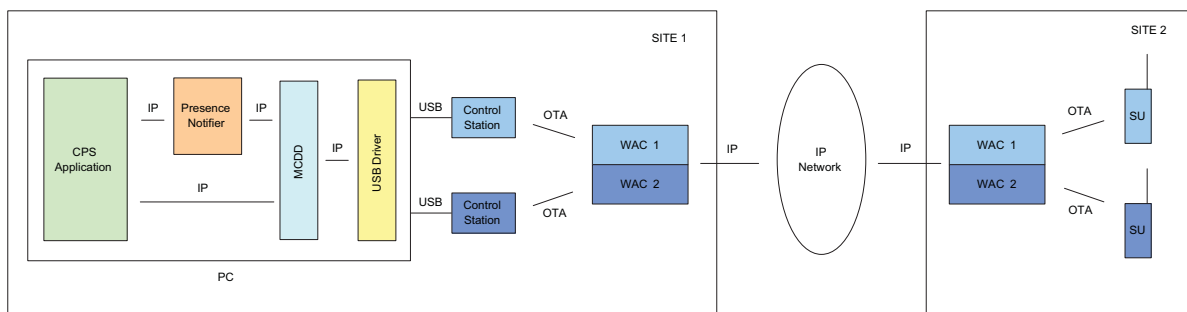


Figure 4-32 Multi-Channel CPS Application in IP Site Connect Mode

Radios are capable of manually changing between channels that are monitored by control stations during an active over-the-air session. Radios can also roam between sites of an IP Site Connect system during an active over-the-air session. If radios move to channels not monitored by control stations, the over-the-air operation stops. When the radio returns to the monitored channel, and registers its presence, the over-the-air operation starts again.

4.20.1.2.1 RF Isolated Single Site Repeaters

To communicate with single site repeaters that are not within RF coverage of each other, multiple PCs with control stations must be set up. Depending on RF coverage, one PC may be within RF coverage of multiple sites. In that scenario, more control stations can be connected.

NOTE: It is important to note that one radio should not be configured in more than one CPS Server. Therefore if there are radios that move from one site to another, monitored by a different CPS Server, Device Programmer and control stations, they must only be populated in one of the CPS Servers. Radios that do move between sites that are monitored by different CPS Servers/Device Programmers can only be contacted when they are on the channel monitored by their CPS Server. There is a PN and MCDD on both PCs.

A remote CPS Client can be used from a centralized location to contact both CPS Servers.

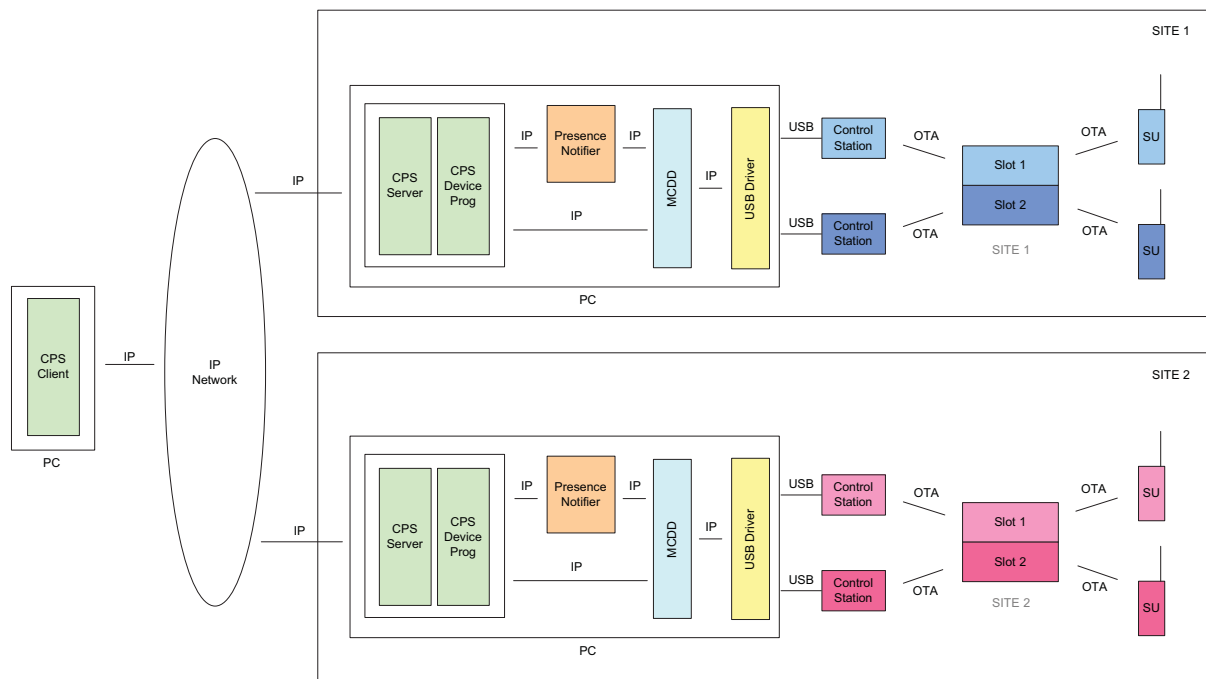


Figure 4-33 CPS Application Covering RF Isolated Single Site Repeaters

A Remote Device Programmer configuration can be utilized if a centralized CPS Server is required, as shown in Figure 4-34. This configuration requires a stable, direct network connectivity between the CPS Device Programmers and the CPS Server.

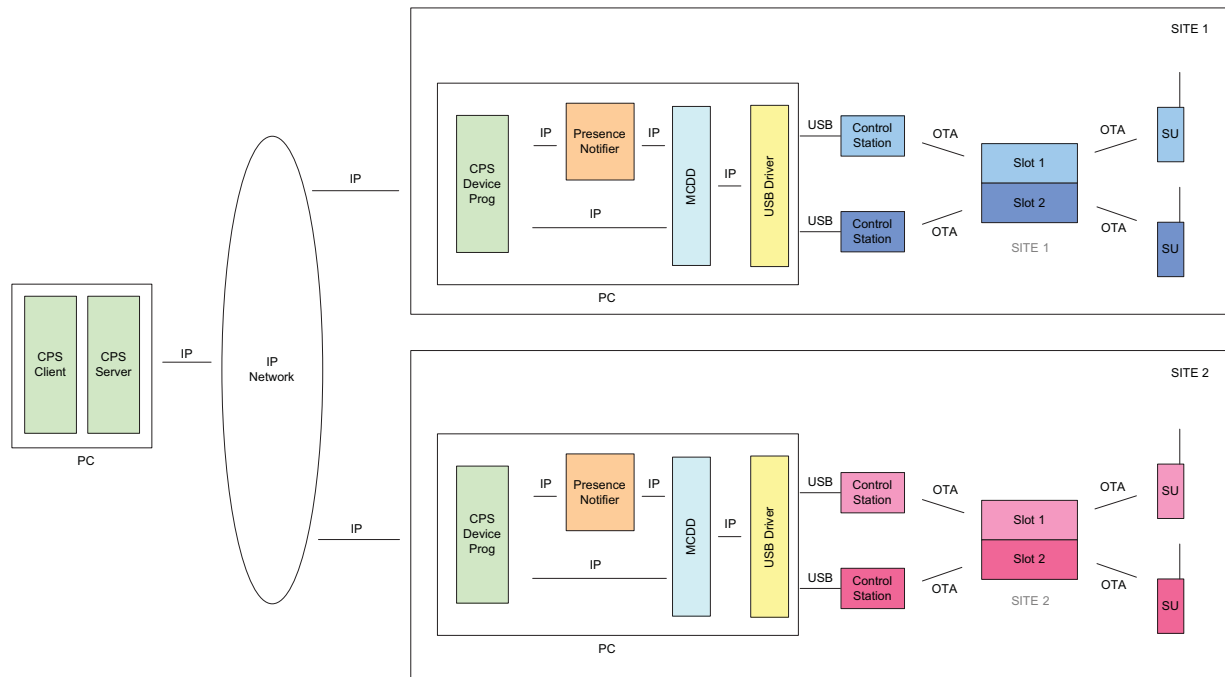


Figure 4-34 CPS Application Covering RF Isolated Single Site Repeaters Using Remote Device Programmers

4.20.1.2.2 Local Channel Support on IP Site Connect

On IP Site Connect systems that have local area channels at some of the sites, there are a couple of configuration options available.

If the radios usually operate on the wide area channels, and infrequently change to the local channels, it may be easiest to have the CPS and control stations at one site monitoring the wide area channels only.

In this case, radios can only be programmed over-the-air when they become present on the wide area channel monitored by the control stations. When they are on the local channels, they are considered absent.

If some of the radios always remain on the local channels, then it is necessary to have control stations monitoring them in order for the CPS to contact the radios on that channel. Depending on RF coverage of each site and the location of the CPS and control stations, all sites may not be reachable via RF from one location. Therefore a second PC with control stations must be set up within RF coverage of the local channels of other sites.

A Remote Device Programmer configuration can be utilized as shown in Figure 4-36. A stable, direct network connectivity between the CPS Device Programmers and the CPS Server is required.

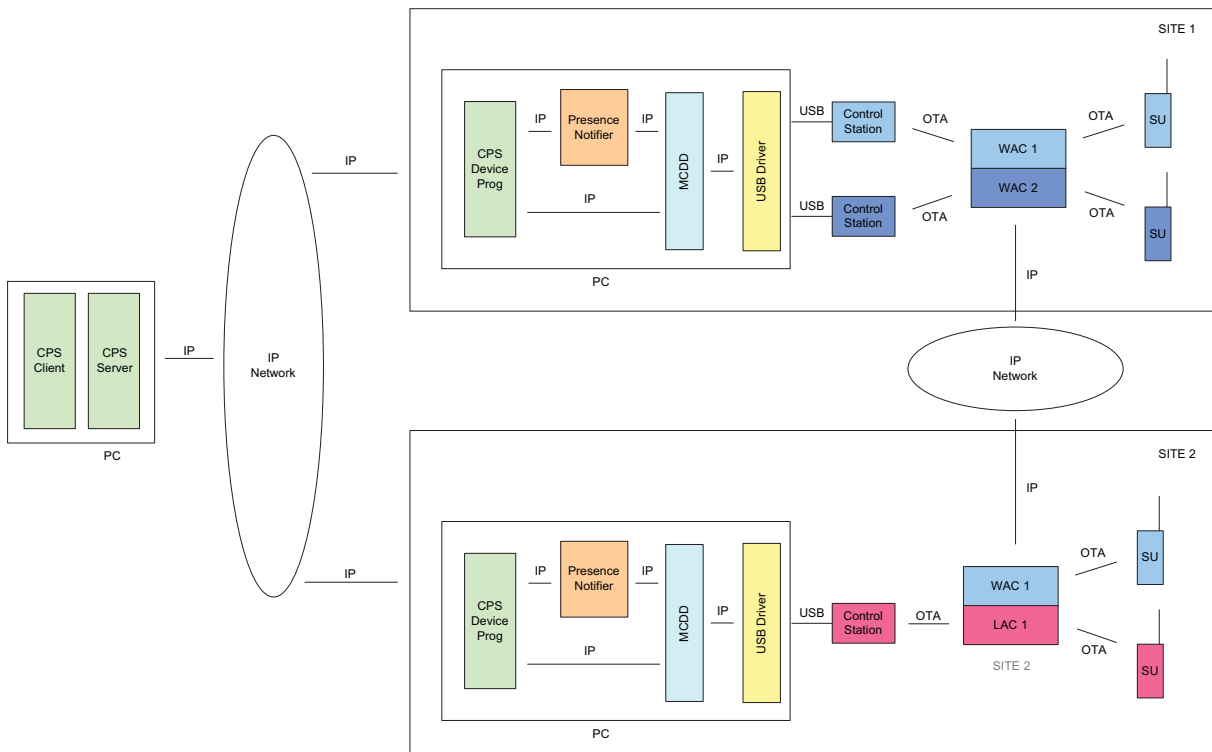


Figure 4-35 CPS Application in IP Site Connect Mode Covering Local Channels with Remote Device Programmers

4.20.1.2.3 Dynamic Mixed Mode (DMM)

The CPS can configure radios over-the-air that are operating in digital mode on a DMM system. There are some limitations on performance. For example, when operating in DMM, analog voice transmissions do not have priority while an over-the-air operation is occurring. Once an over-the-air operation has started in digital mode, the repeater is kept in digital mode for its duration. This means an analog transmission cannot gain access to the system and receives a busy indication for the duration of the operation.

To mitigate this, a pacing option can be set within the CPS Device Programmer so that there are times of idle between each delivery or retrieval. The pacing duration is suggested to be greater than five minutes. This may provide the analog radio an opportunity to see an idle channel more often. It is recommended that over-the-air configurations occur during non-peak hours, especially when operating on a DMM system.

During an analog or digital voice transmission, the CPS Application data is queued in the control station.

NOTE: Because some radios may be scanning while operating in DMM, the data preamble on the control station may need to be increased to reach the target radios. This increases the size of the data messages over-the-air, hence the overall time taken to perform an operation may increase. Follow the standard rules for setting the preamble duration versus the number of scan members.

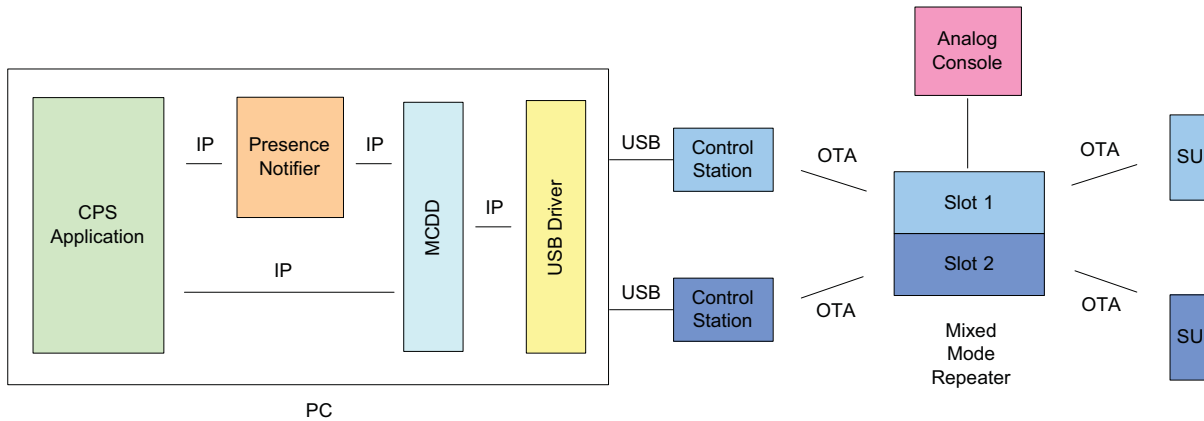


Figure 4-36 CPS Application in Dynamic Mixed Mode

4.20.1.3 Trunking Configurations

4.20.1.3.1 Capacity Plus

Capacity Plus has four different configurations available. The major difference between the configurations is how presence services are handled. The four configurations are:

- One trunked control station without PN
- One trunked control station with PN
- One trunked control station and conventional control stations with PN
- One trunked control station and data revert control stations with PN

4.20.1.3.1.1 One Trunked Control Station without Presence Notifier

The simplest configuration is without utilizing a PN at all. Without a PN, the CPS attempts to contact each radio one by one, regardless if they are present on the system or not. Although this is not optimized, it requires the least amount of infrastructure.

Only one trunking control station is required in this configuration. Since the CPS sends one message at a time, there is no need for multiple control stations. Therefore, loading on a Capacity Plus system is usually not an issue.

Recall that MCDD is never used in Capacity Plus since the repeaters handle mobility. A persistent static route is required in the PC so that messages are routed out of the trunking control station and not out of any other network interface.

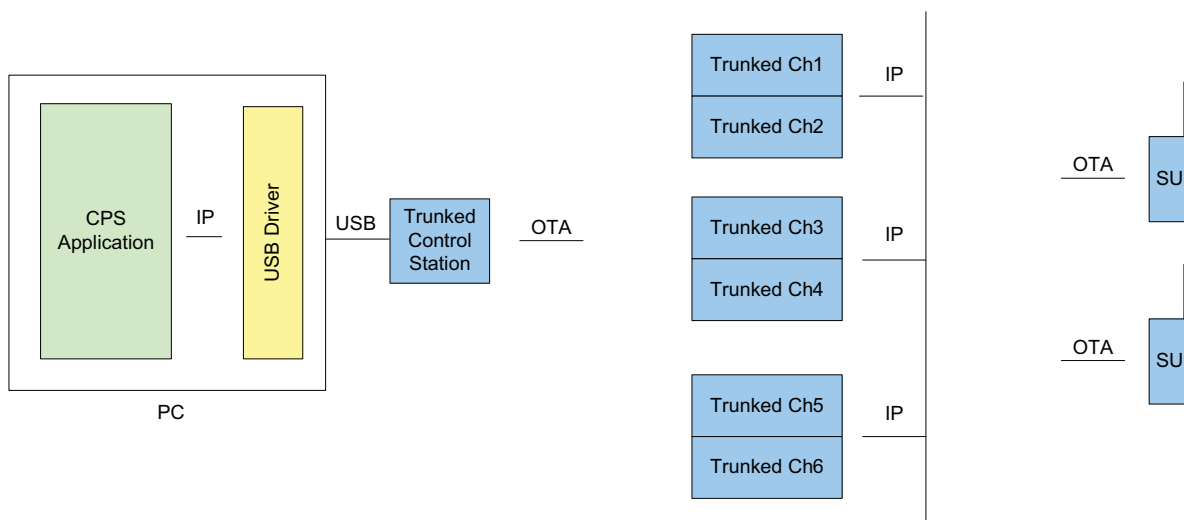


Figure 4-37 CPS Application in a Capacity Plus System with No Presence Notifier and One Trunked Control Station

4.20.1.3.1.2 One Trunked Control Station with Presence Notifier

This configuration is the same as the previous, but utilizing a PN. The upside to this is that only one control station is required and that the CPS only attempts present radios. The down side is the ability to receive presence registration messages effectively. For example, if two radios power on within a short period of time, both attempt to deliver their presence registration messages to the same trunked control station, but only one is successful at a time. The unsuccessful radio tries again and eventually becomes successful. As the number of radios that simultaneously registers grows, this configuration could lead to a slower registration time. If this becomes a problem, consider increasing the radio's ARS Initialization Delay timer on the presence registrations. This further distributes the registration attempts.

Therefore, this configuration is more optimized in performing over-the-air configurations, but less optimized in the presence registration process.

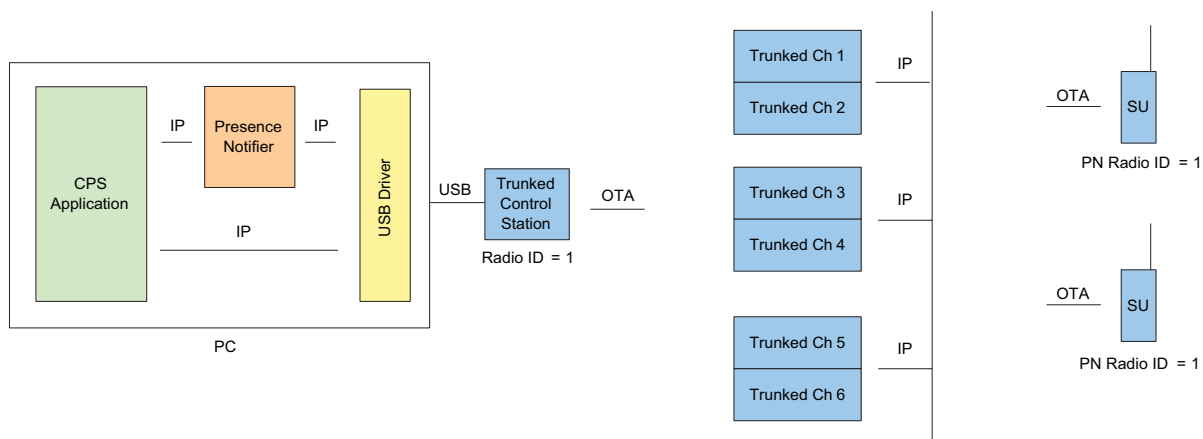


Figure 4-38 CPS Application in a Capacity Plus System with a Presence Notifier and One Trunked Control Station

4.20.1.3.1.3 One Trunked Control Station and Conventional Control Stations with Presence Notifier

To further optimize the reception of simultaneous presence registrations, conventional control stations could be installed on every trunked channel for the sole purpose of receiving simultaneous presence registration messages. Outgoing CPS application messages are sent through a single trunked control station via a static route in the PC. The conventional control station's radio ID should match the PN radio ID programmed in the radios and the trunked control station would have a unique radio ID. Although this configuration is optimized for presence registration, substantial additional hardware are required.

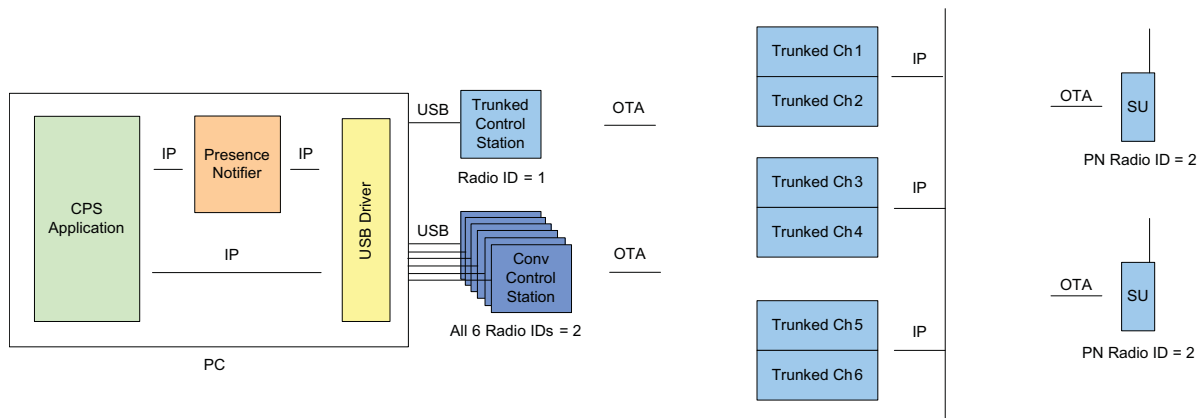


Figure 4-39 CPS Application in a Capacity Plus System with a Presence Notifier and One Trunked and Numerous Conventional Control Stations

4.20.1.3.1.4 One Trunked Control Station and Data Revert Control Stations with Presence Notifier

The CPS application operates on Capacity Plus systems that have existing data revert channels, but it is important to note that the OTAP data is not sent on the revert channel. It is expected that the data revert channels exist for other data applications. It is assumed that since OTAP configurations happen rarely, a dedicated data revert channel is unlikely. Recall that no other OTAP data application is supported on the PC with the CPS Server and Device Programmer.

In this configuration, the presence registration messages are sent to the data revert channels, while the OTAP data is sent on the trunked channels. This configuration only requires conventional control stations to monitor the revert channels, therefore drastically reducing the number of required control stations. There needs to be one trunked control station for the OTAP data. Outgoing CPS messages are sent through a single trunked control station. A static route is required in the PC. The conventional control stations would have the radio ID of the PN and the trunked control station would have a unique radio ID.

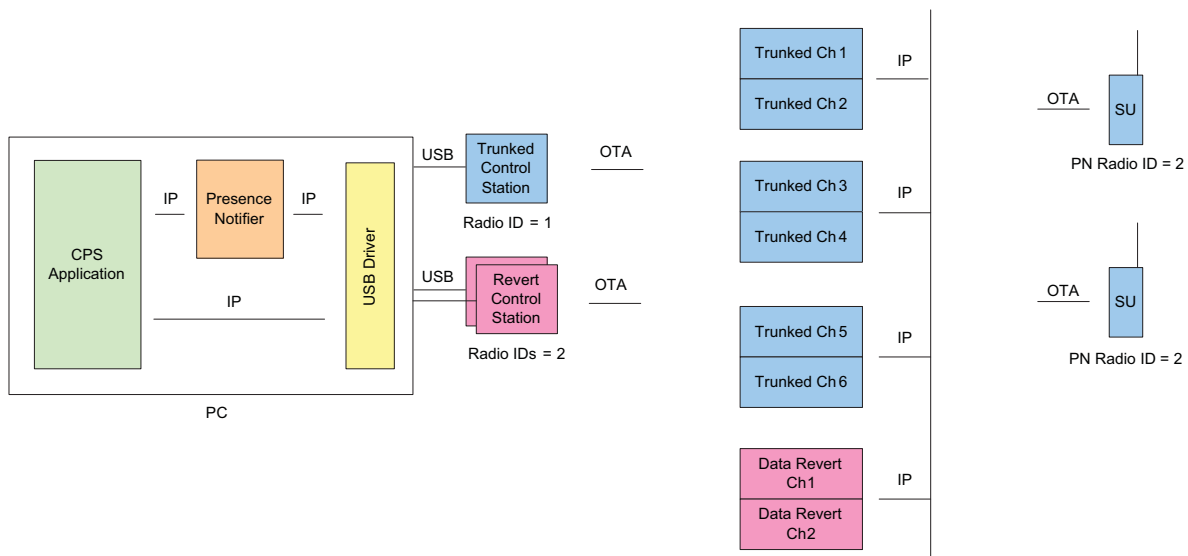


Figure 4-40 CPS Application in a Capacity Plus System with a Presence Notifier and Data Revert Channels

4.20.1.3.2 Linked Capacity Plus

There is little difference in the basic deployments between Capacity Plus and Linked Capacity Plus. As in conventional, the CPS itself is unaware of the underlying architecture.

Therefore, all previous Capacity Plus configurations for the CPS are also supported in Linked Capacity Plus. This is primarily true because individual data is always sent as wide area. If utilizing wide area data revert channels, the CPS Server, Device Programmer and control stations only need to be within coverage of one of the sites. Radios send their presence registration to the data revert channels, which in turn routes the data back to the site where the conventional control stations are monitoring.

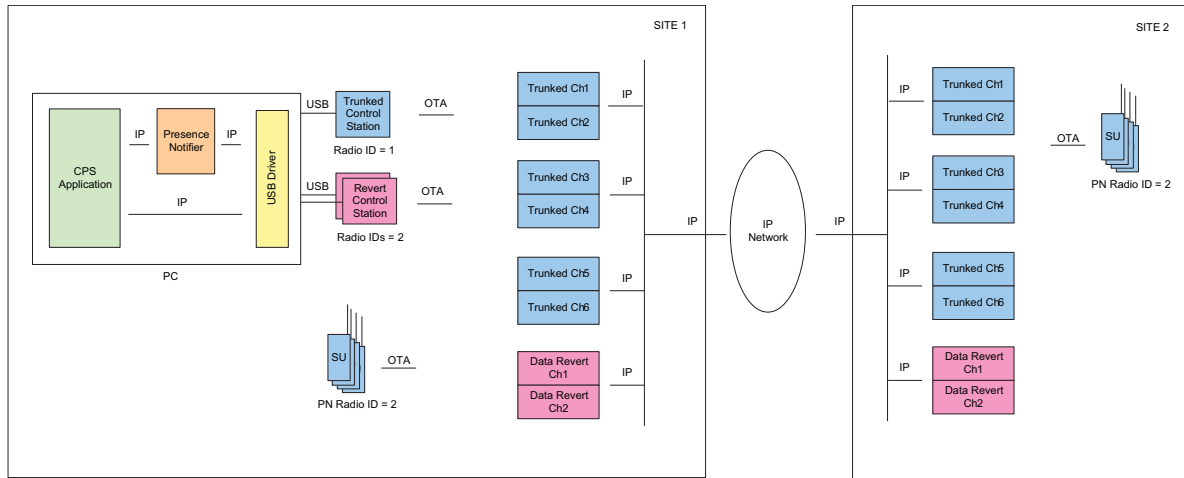


Figure 4-41 CPS Application in a Linked Capacity Plus System with a Presence Notifier and Wide Area Data Revert Channels

If utilizing local area data revert channels at one or more sites, there must be a separate Device Programmer and control stations set up within RF coverage of that site. It requires a stable, direct network connectivity between the CPS Device Programmers and the CPS Server.

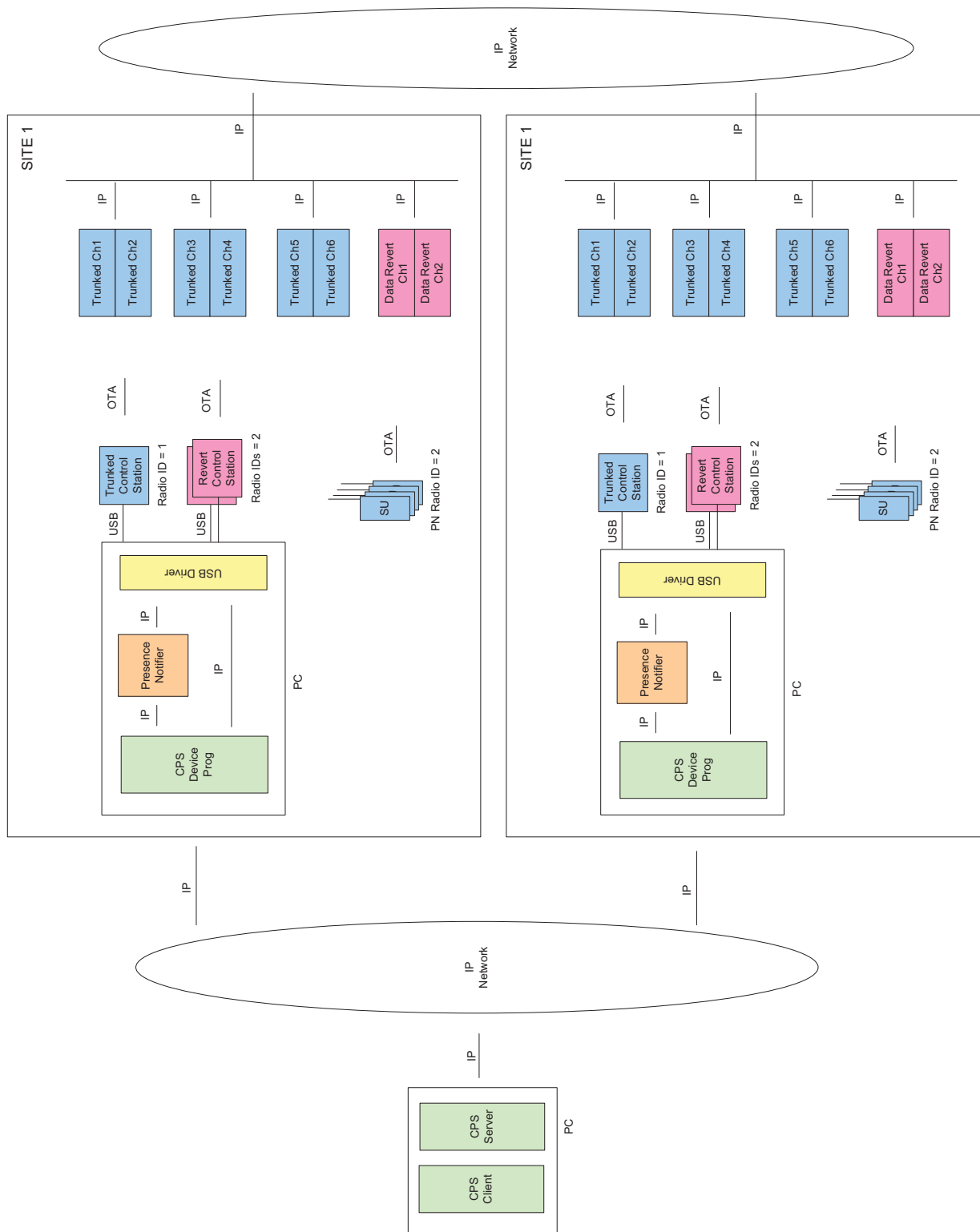


Figure 4-42 CPS Application in a Linked Capacity Plus System with a Presence Notifier and Local Area Data Revert Channels

4.20.1.4 Coexistence with Third Party Data Applications

OTAP is supported on systems that have third party data applications, but there are some special considerations and configurations required.

It is important to understand that although supported on the same system, the CPS Server and CPS Device Programmer are not supported on the same computer as a third party data application. If a third party data application utilizes a different message routing strategy than what is used by CPS and the MCDD, message delivery may become unreliable if on the same computer. Therefore, the CPS Server and CPS Device Manager should be installed on a different computer with a different set of control stations than another third party data application.

Even if on different computers, a system level conflict may still remain. The CPS application utilizes the automatic registration messages (ARS) sent by the radios to track presence and mobility. These messages are sent from the radios to the control stations connected to the CPS. The registration messages are used by the PN and the MCDD to keep track of which radios are present and which channel they are present on.

If the third party data application does not utilize the automatic registration service, then the radios can be programmed to send their automatic registration messages to the CPS control stations and no additional considerations are required.

If the third party data application utilizes the automatic registration service, then the radios must remain programmed to send their automatic registration messages to the control stations connected to the third party data application. In order for the CPS to also receive the automatic registration service messages, the control stations connected to the CPS must be programmed with an ARS Monitor ID that matches the radio ID of the third party data application's control stations. Additionally, the PN used by the CPS must have the "Passive" option enabled.

If operating CPS without a PN, no additional considerations are required.

4.20.1.4.1 Passive Presence Notifier and the ARS Monitor ID Configuration

In order for the CPS to utilize the automatic registration service on a system that has a third party data application that also utilizes the automatic registration service, a Passive PN configuration must be utilized. This configuration essentially allows the CPS to passively monitor the automatic registration messages sent by the radio to the third party data application without interfering.

In a Passive PN configuration, the control stations connected to CPS are programmed with an ARS Monitor ID that matches the radio ID of the third party data application's control stations. Additionally, the PN used by CPS is configured with a "Passive" option.

A control station with an ARS Monitoring ID monitors the selected channel for automatic registration messages targeted towards the specified radio ID. When an ARS message is received, the control station forwards the message to the connected PC, but does not acknowledge the message over-the-air. This ensures there are no over-the-air collisions with the acknowledgements sent by the third party data application's control stations. Control stations with an ARS Monitoring ID continue to transmit and receive normally on their own programmed radio ID. The radio IDs of the CPS control stations must be different than those of the third party data application's control stations.

When the PN is configured with the “Passive” option enabled, it continues to monitor for incoming automatic registration messages and notifies its watchers, but does not acknowledge the incoming messages. This ensures there are no over-the-air collisions with the acknowledgements sent by the third party PN.

NOTE: It is important to note that not only are the CPS control stations not acknowledging the incoming automatic registration messages, they are not sending negative acknowledgements or selective retry requests either. This means that if a message is not successfully received by the CPS control stations, the radio is not aware of it. This limitation can be mitigated by placing the CPS control stations in a location with similar RF conditions as the third party data application control stations.

The diagram below shows a Passive PN configuration in a conventional system with a third party data application.

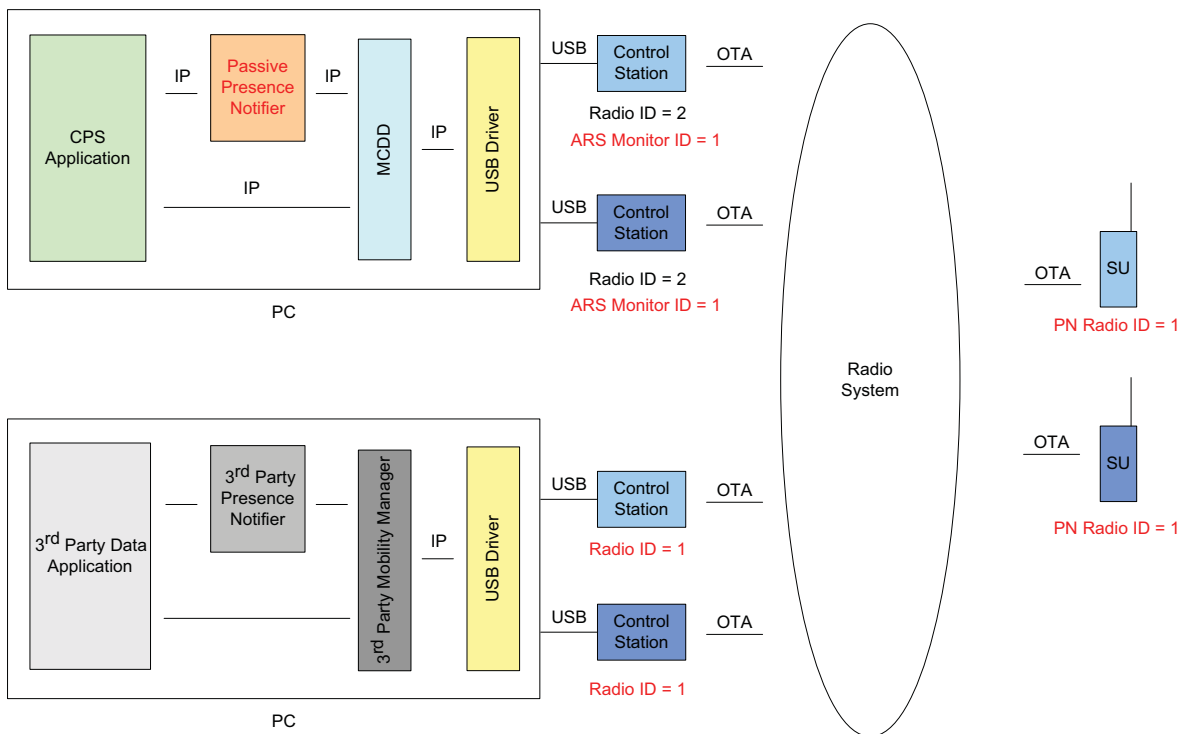


Figure 4-43 CPS Application in a Passive PN Configuration with Third Party Data Application

The following diagram shows a Passive PN configuration in a Capacity Plus system with data revert and a third party data application.

NOTE: Only the control stations used for monitoring automatic registration messages on the revert channels require an ARS Monitor ID.

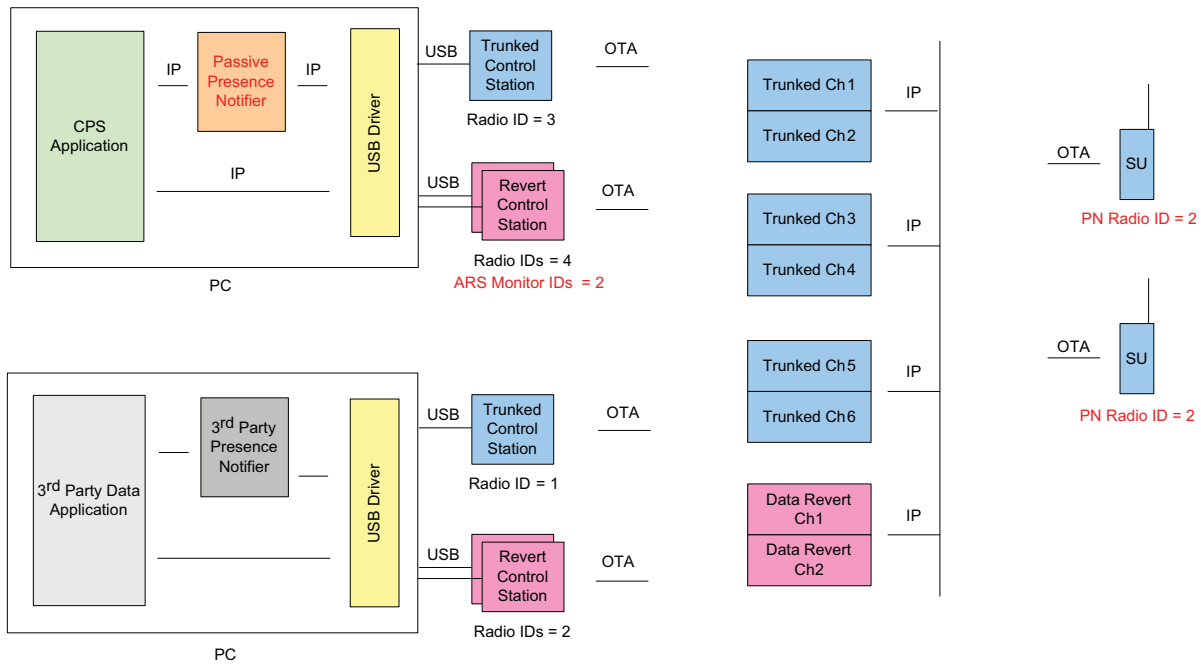


Figure 4-44 CPS Application in Passive PN Configuration with Third Party Data Application on a Capacity Plus Data Revert Configuration

4.20.2 Over-the-Air Authentication Key Management

Over-the-air programming of a radio requires the system administrator to provide an authentication key that matches the authentication key programmed in the radio. The provided authentication key must match the authentication key in the radio prior to performing the first over-the-air operation. This ensures that only a validated CPS is communicating with a customer's radio. This also ensures that CPS is communicating with validated radios.

The initial authentication key (key ID and key value) must be programmed in the radio via wired CPS prior to the first over-the-air operation. The authentication key is set within CPS the first time when the archive is imported. It can also be entered manually if an archive is not available.

The authentication key can be changed over-the-air if the current authentication key in the radio is known. The system administrator only needs to update the current authentication key in the CPS to the new authentication key and deliver and switchover the configuration. The CPS utilizes the current authentication key to authenticate the session, and then updates the radio's authentication key with the new authentication key. The new authentication key becomes the current authentication key once successfully switched over.

If the current authentication key in the radio is unknown, it can only be updated via wired CPS. Once updated, the archive should be imported into CPS so that the authentication key updated in the radio becomes the current authentication key in CPS.

4.20.3 Over-the-Air Privacy Key Management

OTAP utilizes the standard data service privacy methods – enhanced and basic. It is recommended that privacy be enabled in the system if performing OTAP.

The encryption/decryption is performed at the control station and at the end radio. Control stations can be configured for either basic or enhanced privacy, but not both at the same time. Therefore a channel must only contain radios that all have basic privacy or all have enhanced privacy if utilizing OTAP.

NOTE: The control station used for OTAP must contain all the privacy keys within all the radios. The radios must contain the privacy key used for transmit by the control station.

The privacy keys are used for both voice and data and can be different per radio. Since the control stations communicate with many radios, a control station must contain all keys utilized on the designated channel for conventional or on the system in trunking. Therefore a single conventional channel or a trunking system is limited to the number of enhanced privacy keys that can be contained within one control station (which is 16 keys) if OTAP is utilized. Additionally, all radios must contain the key the control station is using for transmit. There is no specific OTAP encryption key. The key designated for the selected channel is used for transmitting OTAP data.

4.20.3.1 Updating the Privacy Keys in the System

Over-the-air programming of privacy keys is supported. They can be updated within the CPS and delivered to the radios, just like any other parameter. Although performing a key change on a system requires additional considerations to be taken since the keys are also contained within the control stations used to deliver the keys to the radios.

The old and new keys must be in the control stations if communication with the radios is required while transitioning. For example, if the radio registers its presence after it has switched over; the control station is not able to receive the message if it does not have the new key. This can be resolved by either provisioning the new keys into the control station's receive list (but still transmitting on old key), or by suppressing ARS after the switchover. Keeping the old and new keys in the control station limits the number of usable keys in the system to half of what the control station can hold ($16/2=8$). Since there is only one basic privacy key per radio, it is not possible to contain both the old and new basic privacy keys.

NOTE: At minimum, the privacy keys must be delivered to the control station after successfully delivering all the radio's keys over-the-air, or future over-the-air operation to the updated radios will not be successful.

In order to program the control stations connected to the device programmer, the device programmer can be temporarily configured via a wired connection. This option can be found in the settings of the device programmer.

Finally, since the new keys are delivered using the old keys, if it is believed that the old keys have been compromised, wired CPS should be used to update the keys in the radios.

4.20.4 Performance of Over-the-Air Programming

The performance of OTAP is commonly broken into two categories: performance in regard to **time to complete an over-the-air operation** and the **impact of the over-the-air operation on other system services**.

4.20.4.1 Time to Complete Over-the-Air Operations

There are three major over-the-air operations in CPS: retrieval, delivery, and the switchover. The time it takes to perform any of these operations is highly dependent on the details of the operation itself and the environment of the system.

The time to deliver or retrieve a new configuration is dependent on the following conditions:

- size of the configuration update
- number of radios being processed
- system loading
- RF environment

Because of these numerous dependencies, it may be difficult for the system administrator to exactly determine the time it takes to perform an operation over-the-air. However, if some typical configurations and conditions are considered, then some typical times can be predicted that will allow the system administrator to plan their time to some level of accuracy.

4.20.4.1.1 Size of the Configuration Update

The first thing to understand is the relationship between the amount of configuration change and the amount of time it takes to transfer that change. Many items can be changed within the radio configuration, and each type of item changed has a different impact on the amount of data that needs to be transferred. There is generally no need to understand the entire relationship, but rather to simply understand the impact of a large change and small change.

Only the differences between the CPS configuration and the radio configuration are transferred over-the-air. It is always recommended that a radio be read on the wire first so that only updates need to be transferred over-the-air. Retrieving an entire configuration over-the-air or delivering a completely new template to a radio over-the-air takes the largest amount of time.

The chart below provides some guidance between the number of address book entries updated or added and the time it takes to deliver them to one radio in great RF conditions with no voice occurring on the channel or system. Great RF conditions are defined as middle of RF coverage and a stationary radio.

NOTE: Retrieval times are slightly shorter than delivery times in general, but for planning purposes we are only showing delivery times.

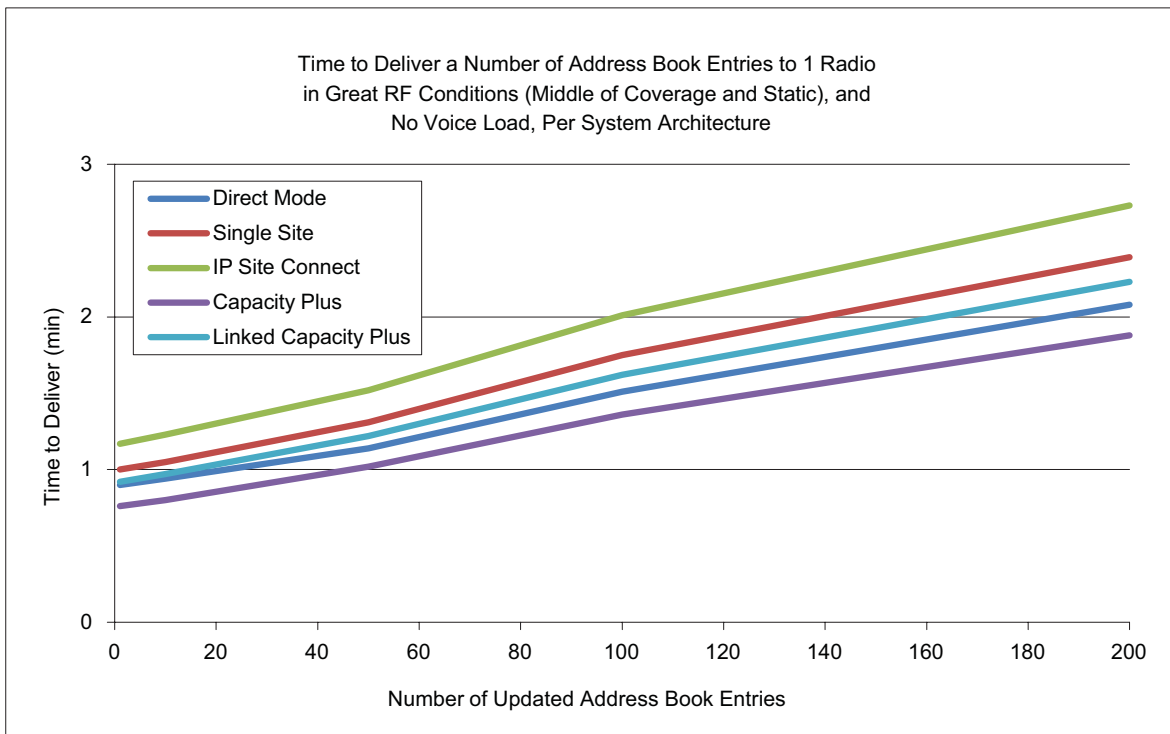


Figure 4-45 Time to Deliver a Number of Address Book Entries to One Radio

4.20.4.1.2 Number of Radios being Processed

Clearly the more radios being updated, the longer the operation takes to complete. The previous chart shows how long a delivery to a single radio takes to complete depending on the update size. This value must be multiplied by the number of radios being updated.

The chart below shows the time it takes to update numerous radios with a “typical update”. The following items are considered typical updates:

- 5 text message strings updates
- 2 privacy keys updates
- 25 address book updates
- 1 channel update
- 2 scan list updates
- 1 receive group update

For reference, this typical update size is equivalent to the size of around 50 address book updates in the above chart. As can be seen below, the overall time quickly adds up when performing operations on a large number of radios.

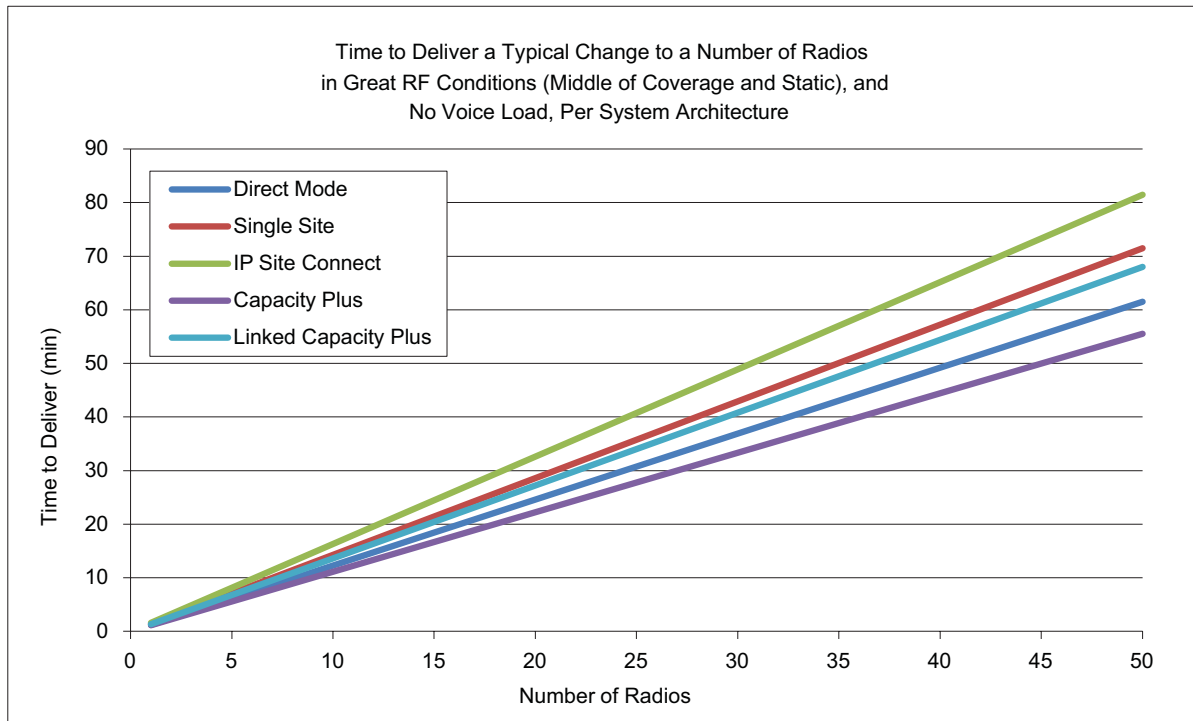


Figure 4-46 Time to Deliver a Typical Change to a Number of Radios

As a rule of thumb, on an idle system, in great RF conditions, around 35-45 radios can get a typical update in an hour. This rate may increase or decrease depending on the system architecture type. This of course assumes all radios are present on the channel or system when the operation is scheduled. If a radio is not present, the operation continues to run until the radio becomes present, or the operation is cancelled by the system administrator.

4.20.4.1.3 System Loading and RF Environment

It is always recommended to schedule over-the-air operations during times of low voice traffic and when the radios are stationary and in great RF coverage. However it is recognized that this is not always possible.

The CPS shares the channel with voice and other data services. Therefore if voice traffic loading is high at the time an over-the-air operation is scheduled, there is less bandwidth available for CPS. Therefore the time to deliver increases as the CPS waits for the voice to end.

In addition, if some of the target radios are in poor RF conditions, data delivery times can be longer due to the need to retry any failed messages. Radios that are moving are affected more than those that are stationary, therefore radios that are in vehicles or carried by hand while walking experience longer delivery times. These conditions are always present, but become noticeable when sending many large data messages.

The chart below provides some expectations on delivery times for a typical change on a single site repeater channel with typical RF conditions and high voice usage.

The bottom of the thick line is the baseline time if all radios were in great RF conditions, stationary and there was little voice (from the chart above). The remaining part of the line is the estimated amount of time with an expected distribution of RF conditions for each radio. The majority of the scenarios will be towards the bottom and the less likely scenarios are towards the top.

Note that this chart does not represent the worst case scenario since it is unlikely that all radios are in the worst conditions. This is the expected distribution (thickness of line) for all conventional architectures including direct mode, single site, and IP Site Connect. See the chart above for the estimated baseline in great RF conditions, stationary and with little voice.

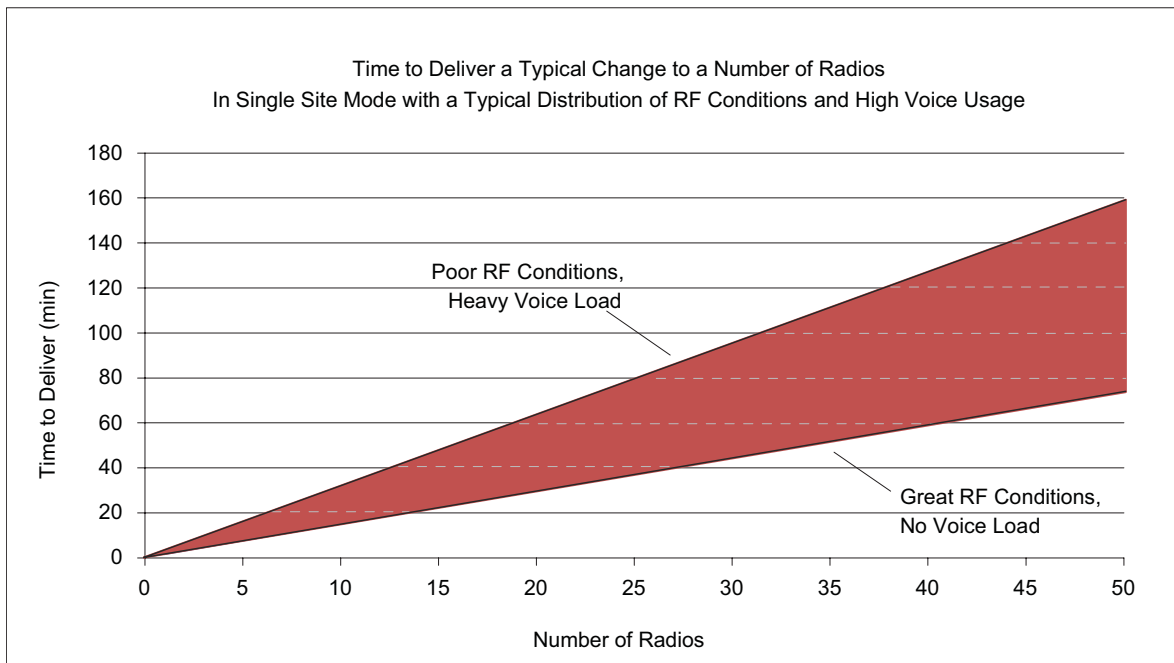


Figure 4-47 Time to Deliver a Typical Change to a Number of Radios in Single Site Mode

The chart below provides some expectations on delivery times for a typical change on a Capacity Plus system with typical RF conditions and high voice usage. Note this is the expected distribution (thickness of line) for all trunking architectures including Capacity Plus and Linked Capacity Plus. See the previous charts for the estimated baseline (bottom of line) in great RF conditions, stationary and with little voice.

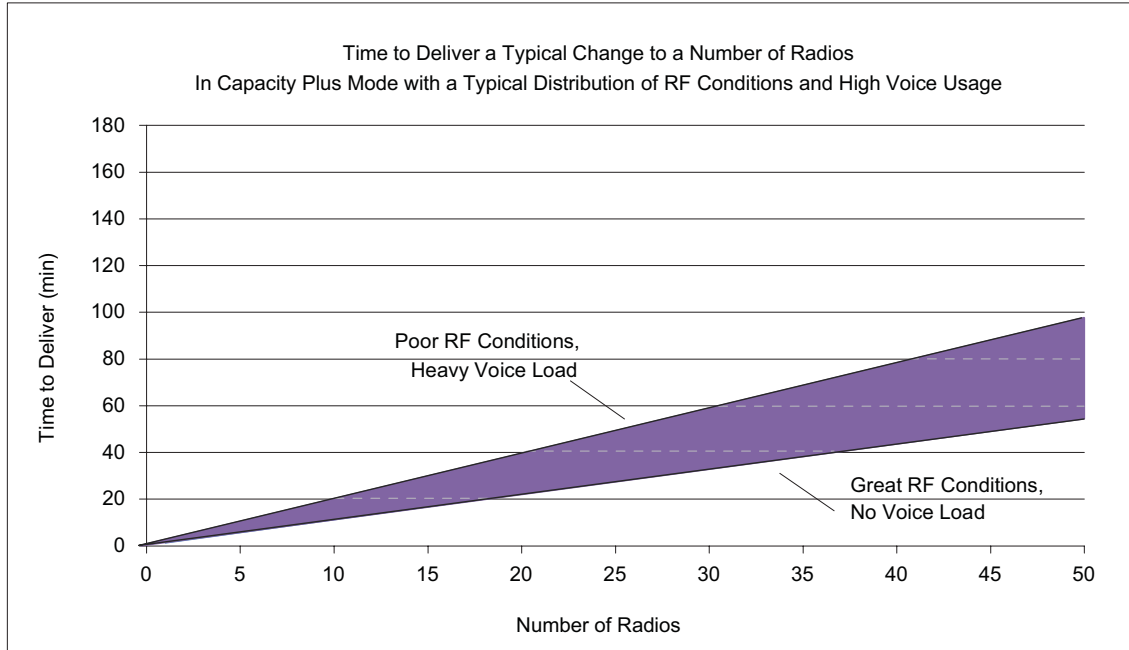


Figure 4-48 Time to Deliver a Typical Change to a Number of Radios in Capacity Plus Mode

4.20.4.2 Performance Impact on Other Services

Performing a CPS retrieval, delivery, or switchover over-the-air can have an impact on other services on the channel or system. The three major impacts to consider are:

- Voice access time during an over-the-air operation
- Voice downtime during a switchover
- Data downtime during a switchover

4.20.4.2.1 Voice Access Time during an Over-the-Air Operation

As previously mentioned, it is always recommended to schedule over-the-air operations during times of low voice traffic and when the radios are stationary and in great RF coverage. But it is recognized that this is not always possible.

In conventional modes, it has been established that voice traffic has an impact on the time it takes to perform CPS over-the-air operations, but these operations also have an impact on voice traffic.

NOTE: Radios with software versions prior to R02.10.00 do not have access to the channel during an ongoing CPS over-the-air operation. They most likely receive a talk prohibit tone, since the channel is busy processing data. All radios, regardless of software version, attempting confirmed private calls on a conventional channel while OTAP is occurring experience a low success rate. This is not just the radio being configured, but rather all radios on the conventional channel. To mitigate this, a pacing option can be set within the CPS Device Programmer so that there are times of idle between each delivery or retrieval. The pacing duration is suggested to be greater than five minutes.

Radios with software version R02.10.00 and later access the channel and temporarily interrupt ongoing CPS over-the-air operations. This interruption procedure causes an increase to voice access time by on average of 1.5 seconds, and worst case 3.5 seconds. While waiting for the procedure to complete, the radio user hears a wait tone, followed by a talk permit tone. Display models also provide an indication of when high volumes of data are occurring on the channel they are selected on. This notifies them that an update is occurring on the system and that their channel access may be slower than normal. This is not just the radio being configured, but rather all radios on the conventional channel.

Voice access time for all radios is not affected during a CPS over-the-air operation in Capacity Plus or Linked Capacity Plus systems as each transmission occurs on its own channel. However, the radio currently being configured over-the-air experiences the increase to voice access time described above.

4.20.4.2.2 Voice Downtime During a Switchover

When the radio applies a delivered configuration, the radio must reset to apply the changes. While resetting the radio is not be able to transmit or receive voice over-the-air. A reset after a switchover typically causes voice downtime for a single radio in the range of 20–22 seconds.

If multiple radios are being switched over, and critical communication parameters are being updated, voice downtime occurs on the system from when the first radio starts its reset to when the last radio finishes its reset. During this time, there may be a mismatch in communication parameters across radios and therefore communication may be disrupted.

If using a non-zero switchover timer, the voice downtime can be as long as the switchover timer itself since some users may choose to delay their switchover.

When performing a delivery with switchover, each radio is switched over as the delivery occurs, therefore the voice downtime can be as long as it takes to deliver to all radios. See the charts in previous sections.

To minimize voice downtime, it is recommended to deliver the configurations, and then schedule an independent switchover with a zero value switchover timer and ARS suppression enabled. Other deliveries or retrievals should not be scheduled to occur at the same time as a switchover. This may cause a delivery to occur in between the switchovers, which increases the overall downtime. The chart below provides some expectations on how long the voice downtime is when in great RF conditions and no voice load in that scenario. This assumes all radios are present. Note that in poor RF conditions and in the presence of voice, these times can increase.

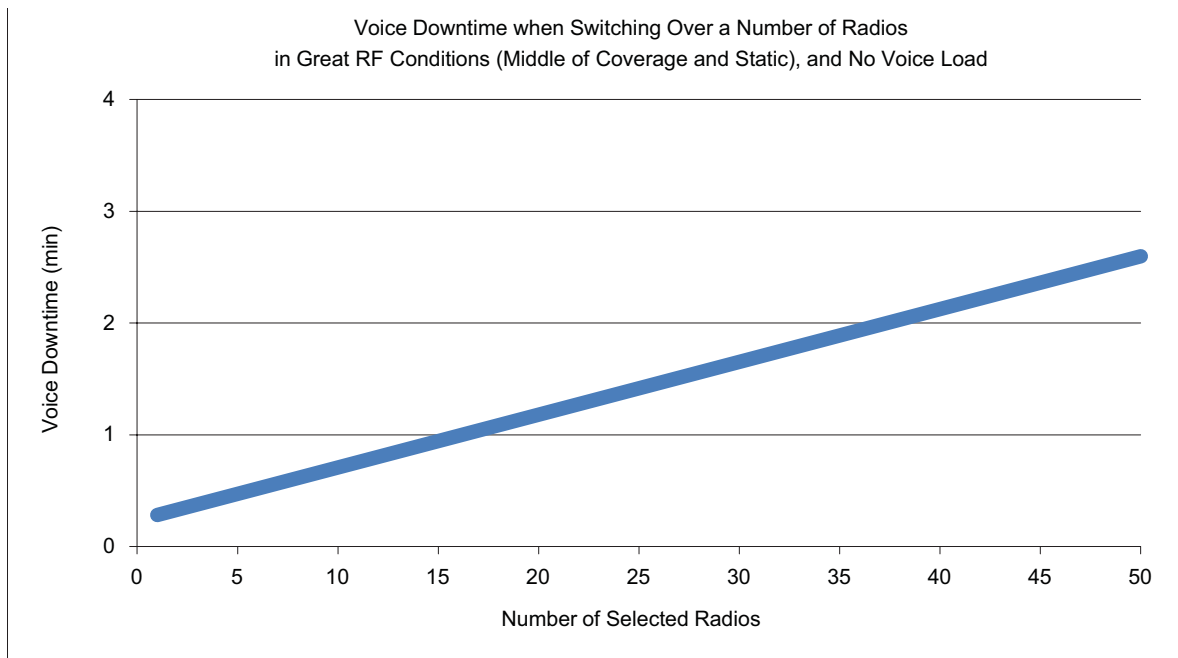


Figure 4-49 Voice Downtime when Switching Over a Number of Radios

4.20.4.2.3 Data Downtime During a Switchover

When the radio applies a delivered configuration, the radio must reset to apply the changes. The impact on a system with a third party data application should be carefully considered.

It is difficult to predict the impact of an over-the-air configuration on every third party data application in the market. It is recommended that a small scale test, with a few controlled radios, is run to understand the recovery process for a specific third party data application before performing a configuration change on a large group.

Here are some conditions to consider:

- If features, options, or channels required by the third party data application within the radio are updated incorrectly, a problem can occur. Be cautious when changing such options.
- If ARS Suppression After Switchover option is selected, and the new configuration causes the radio to be on a different channel, then the routing of a third party data application that utilizes ARS may lose track of which channel the radio is on. Be careful to only suppress ARS after a switchover if making minor changes that do not affect the currently selected channel.
- Because the radio performs a reset, temporary data could be lost. However, if the ARS Suppression After Switchover option was checked within CPS, not only does the radio not send a new ARS message after reset, it also preserves all previous LRRP requests and text message service availability requests for this power cycle. This ensures the radio continues sending GPS messages, and knows where the text message server is located after a switchover. If LRRP is already stored persistently, then it can still be stored after a switchover regardless of the ARS Suppression After Switchover option.

- If the third party data application's temporary data is lost, then the radio may need to re-register after a switchover to trigger the data application to send new information. If this is the case then the ARS Suppression After Switchover option should be unselected, allowing the radio to send an ARS message after a switchover.
- If the third party data application sends a large number of data messages to a radio when it registers, one should take caution when switching over many radios at the same time, since this could cause an influx of data messages on the channel. Consider increasing the radio's ARS Initialization Delay timer on the presence registrations. Since this can delay sending the ARS message, it could increase the amount of time before the radio contacts the data application, and therefore increases data downtime.

4.20.5 CPS Computer Specifications

Component	Requirements
Operating Systems	Windows 7 Home Premium Edition (32 & 64-bit)
	Windows 7 Professional Edition (32 & 64-bit)
	Windows Vista Home Premium Edition (32 & 64-bit)
	Windows Vista Business Edition (32 & 64-bit)
	Windows XP Home/Professional Edition with SP3 & Windows Installer 3.1 (32 & 64-bit)
	Windows Server 2008 R2 (32 & 64-bit) (for Server Installations)
Memory	CPS Client / CPS Server / CPS Device Programmer Install: 1 GB and above required by host Operation System
	CPS Server / CPS Device Programmer Install: 1 GB and above required by host Operation System
	CPS Client Only Install: RAM required by host Operation System
Hard Disk	CPS Client / CPS Server / CPS Device Programmer Install: 5 GB (Program Files & Database)
	CPS Server / CPS Device Programmer Install: 5 GB (Program Files & Database)
	CPS Client Only Install: 400 MB (Program Files & Archive Files*)
	* More space would be required if saving archive files of your radios and device update packages. Each archive file or device update package varies in size depending on the features of the radio.
Other (All Installs)	USB ports (1 or more depending on system configuration)
	Network Connection
	DVD Drive
Software	Running multiple instances of the CPS application on one computer is not recommended.

4.21 Configurable Timers

The following is a list of timers that are used to synchronize communication in the radio system. The values of these timers can be configured through the CPS.

Timer Name	Description	Notes
TX Preamble Duration	<p>Preamble is a string of bits added in front of a data message or control message (Text Messaging, Location Messaging, Registration, Radio Check, Private Call, etc.) before transmission. This preamble prolongs the message in order to reduce the chances of the message being missed by the receiving radio. The Transmit (TX) Preamble Duration sets the duration of the preamble. This duration needs to be increased as the number of scan members increases on the target radio (refer to the MOTOTRBO system planner for guidance on how to set the duration). This value can be increased in all the transmitting radios if scanning radios are often missing data messages. However, a larger preamble occupies the channel longer. Therefore, increasing the Transmit Preamble duration will increase the success rate of data received while other radios are scanning, but will decrease the amount of data that can be transmitted on the channel. This is a radio-wide feature.</p>	<p>The TX Preamble feature is disabled if the duration is set to 0.</p> <p>This feature is supported in Digital mode only.</p>
Talkaround Group Call Hang Time	<p>Sets the duration during which a radio talks back to a received call or continues a transmitted call using the previously received or previously transmitted digital Group ID. This hang time is used during a Group Call in Talkaround mode to produce smoother conversation. During this time, other radios can still transmit since the channel is essentially idle. After the hang timer expires, the radio transmits using the Contact Name specified for this channel.</p>	<p>This feature is supported in Digital mode only.</p>
Talkaround Private Call Hang Time	<p>Sets the duration the radio keeps the call setup after the user releases the Push-to-Talk (PTT) button. This is to avoid setting up the call again each time the user presses the PTT to transmit. This hang time is used during a Private Call in Talkaround mode to produce smoother conversation. During this time, other radios can still transmit since the channel is essentially idle.</p>	<p>–</p>

Timer Name	Description	Notes
Subscriber Inactivity Timer	The Subscriber Inactivity Timer (SIT) controls how long the repeater will continue transmitting with absence of subscriber activity on the uplink. If the repeater is operating on shared-use frequencies, it cannot remain keyed indefinitely for the benefit of broadcasting synchronization signals to radios. The repeater will likely be de-keyed most of the time; thereby requiring radios to first activate the repeater (via the uplink frequency) and acquire synchronization (via the downlink frequency) before completing the call setup request and subsequent first transmission. The net result of these extra procedures is increased access time; therefore, it is desirable to avoid these steps, whenever possible. There is a trade-off to minimizing access time by keeping the repeater keyed for as long as practically possible, while complying with the regulations regarding shared-use channels, which essentially require the repeater to de-key when the channel is not in use. This can be balanced with the use of the Subscriber Inactivity Timer. If shared use is not a concern, the SIT can be set to the maximum value. If shared use is a concern, the SIT should be set equal to or slightly longer than the configured call hang timers.	The value of this feature must be equal to or greater than the Hang Time (Group, Private or Emergency – whichever is the longest).
		This feature is disabled if Repeater Mode is set to Analog.
Group Call Hang Time	Sets the duration the repeater reserves the channel after the end of a Group Call transmission. During this time, only members of the Group that the channel is reserved for can transmit. This produces smoother conversation.	This feature is disabled if Repeater Mode is set to Analog.
		The value of this feature must be equal to or less than the Subscriber Inactivity Timer value.
Private Call Hang Time	Sets the duration the repeater reserves the channel after the end of a Private Call transmission. During this time, only the individuals involved in the call that the channel is reserved for can transmit. This produces smoother conversation. The user may want to set a longer hang time than the Group Call Hang Time as an individual tends to take a longer time to reply (talkback) in a Private Call.	This feature is disabled if Repeater Mode is set to Analog.
		The value of this feature must be equal to or less than the Subscriber Inactivity Timer value.
Emergency Call Hang Time	Sets the duration the repeater reserves the channel after the end of an Emergency Call transmission. During this time, only members of the Group that the channel is reserved for can transmit. This produces smoother conversation. The user may want to set the longest hang time as compared to the Private and Group Call Hang Time to reserve the channel long enough to receive an emergency response.	This feature is disabled if Repeater Mode is set to Analog.
		The value of this feature must be equal to or less than the Subscriber Inactivity Timer value.

Timer Name	Description	Notes
Call Hang Time	Sets the duration the repeater will reserve the channel for after the end of an analog call transmission. During this time, only members of the call that the channel is reserved for can transmit. This produces smoother conversation. As this hang timer is shared among all types of analog calls (Group, Private, Emergency etc.), the duration should be set following the call type that needs the longest hang time.	This feature is enabled only if Repeater Mode is set to Analog or Dynamic Mixed Mode.
TX Interval	The station will generate a Continuous Wave Identification (CWID, also called BSI) when the repeater has no other repeat audio requests (either analog or digital), analog or all digital hang time has finished and the programmed transmission interval timer period has expired. This feature should be set to a period shorter than the Mix Mode Timer to allow the station the opportunity to send a CWID at the end of a set of user radio exchanges prior to having to send the ID mixed with analog repeat audio.	–
Mix Mode Timer	The station will generate a Continuous Wave Identification (CWID) mixed with analog audio when the repeater is repeating analog signals or is in analog hang time and the programmed mix mode timer has expired. This feature should be set to a period longer than the TX Interval to allow the station the opportunity to send a CWID by itself at the end of a set of user radio exchanges rather than having to send the ID mixed with analog repeat audio.	This feature is disabled by the repeater if the value is set to 255 in Analog mode. This feature is also disabled by the repeater if it is in Digital or in Dynamic Mixed Mode.
		This feature is not applicable to digital repeater operation as CWID will not be generated while digital repeat is in progress.
Pretime	Sets the duration that the radio waits, after a Push-to-Talk (PTT) button press, before it starts transmitting the Motorola Data Communication (MDC) signaling system data packet (e.g. preamble bit sync) and data. When communicating via a repeater system or console, this feature allows the repeater to stabilize before the radio starts transmitting the data. Additionally, this timer gives scanning radios time to land on the channel prior to the reception of MDC data.	This feature is supported in Analog mode only.

Timer Name	Description	Notes
Coast Duration	If the carrier signal is lost after Motorola Data Communication (MDC) signaling data is detected, the radio stays muted for the duration of this timer or until the carrier signal is redetected. Once the carrier signal is redetected, this timer is stopped, and the Data Operated Squelch (DOS) Auto Mute Duration timer begins again. This feature helps to prevent temporary loss of DOS in areas of poor signal strength or signal distortions.	–
Auto Mute Duration	Sets the duration that the radio remains muted when the radio is receiving Motorola Data Communication (MDC) signaling data to reduce noise from the data reception. The user has to know the size of the data to select a suitable duration. If the duration is too short then some unwanted noise will still be heard, and if the duration is too long, it might clip some voice audio. This is normally used on radios that support both voice and data on the same channel.	This feature is supported in Analog mode only.
Fixed Retry Wait Time	Sets the duration that the radio waits before attempting another polite or impolite transmission to transmit signaling data. Configuring the radios with different wait durations increases the probability of accessing the system and reduces the chances of data lost due to collisions.	This feature is supported in Analog mode only.
Time-Out Timer (TOT)	The Time-Out Timer (TOT) is the amount of time that the radio can continuously transmit before transmission is automatically terminated. This feature is used to ensure the channel is not monopolized by any one radio. The user may set smaller time-outs for busier channels. This is a channel-wide feature.	–
Time-Out Timer Rekey Delay	Sets the amount of time that the radio waits on a channel after the Time-Out Timer expires (which stops the radio transmission) before allowing the user to transmit again. This is a channel-wide feature.	–
Analog Hang Time	This sets the duration of the radio that will remain on a landed analog channel after the end of a transmission during a scan operation. The hang time prevents the radio from resuming scanning until the conclusion of the response to the initial call. The timer starts after the end of a transmission and resets whenever a valid activity is detected on the channel during the hang time.	It is recommended to increase the hang time value if the call hang timer in the radio increases for direct mode operation. In repeater mode operation, it is recommended to keep this value as low as possible to allow the radios to start scanning as soon as the existing analog call ends.

Timer Name	Description	Notes
Digital Hang Time	This sets the duration of the radio that will remain on a landed digital channel after the end of a transmission during a scan operation. The hang time prevents the radio from resuming scanning until the conclusion of the response to the initial call. The timer starts after the end of a transmission and resets whenever a valid activity is detected on the channel during the hang time.	It is recommended to increase the hang time value if the call hang timer in the radio or repeater increases.
Signaling Hold Time	Sets the amount of time that the radio waits on an analog Scan List channel when a carrier signal of sufficient amplitude is detected on the channel. This pause allows the radio time to decode the analog system signaling data. If the decoded information is incorrect, the radio reverts to scan.	This feature must be equal to or greater than the amount of time it takes the radio to transmit the signaling data packet plus the channel's Signaling Systems Pretime.
		This feature is supported in Analog mode only.
Priority Sample Time	Sets the duration that the radio waits, when in a call, before scanning the priority channels. If the call is taking place on a Priority 1 Channel, no scanning will take place. When scanning priority channels, the radio briefly mutes the current transmission. Increasing this interval improves the audio quality of the current transmission as fewer checks are done, but this also increases the chance of the radio missing out priority channel activity.	A priority member must be present in the Scan List.

SECTION 5 SALES AND SERVICE SUPPORT TOOLS

5.1 Purpose

This module introduces the standard system layout, identifying each component's role in servicing the system features listed in Module 2. This module is to help the reader understand what devices are needed to support a particular system feature. It will also display the building blocks of the system from a subscriber only system to a mixed mode multi-repeater, data capable system.

5.2 Applications Overview

The three software applications listed below, and their associated drivers are available on the CD kit (GMVN5141).

Name	Application Overview
Customer Programming Software (CPS)	CPS enables a dealer to program the device's features according to the customer requirements. Navigating around the CPS is now easy and convenient with the addition of a help pane that displays topic-sensitive help instantly without the need to access the online help file.
AirTracer	AirTracer has the ability to capture over-the-air digital radio traffic and save the captured data into a file. AirTracer can also retrieve and save internal error logs from MOTOTRBO radios. The saved files can be analyzed by trained Motorola personnel to suggest improvements in system configurations or to help isolate problems.
Tuner	Tuner is an application to tune and test subscriber and repeater products. Navigating the around the Tuner is now easy and convenient with the addition of a help pane that displays topic-sensitive help instantly without the need to access the online help file.

5.3 Service Equipment

5.3.1 Recommended Test Equipment

The list of equipment contained in the table below includes most of the standard test equipment required for servicing Motorola portable radios, as well as several unique items designed specifically for servicing this family of radios. The *Characteristics* column is included so that equivalent equipment can be substituted; however, when no information is provided in this column, the specific Motorola model listed is either a unique item or no substitution is recommended.

Description	Characteristics	Example	Application
Service Monitor	Can be used as a substitute for items marked with an asterisk (*)	Aeroflex 3920 (www.aeroflex.com), or equivalent	Frequency/deviation meter and signal generator for wide-range troubleshooting and alignment
Digital RMS Multimeter*	100 μ V to 300 V 5 Hz to 1 MHz 10 Meg Ohm Impedance	Fluke 179 or equivalent (www.fluke.com)	AC/DC voltage and current measurements. Audio voltage measurements
RF Signal Generator *	100 MHz to 1 GHz -130 dBm to +10 dBm FM Modulation 0 kHz to 10 kHz Audio Frequency 100 Hz to 10 kHz	Agilent N5181A (www.agilent.com), Ramsey RSG1000B (www.ramseyelectronics.com), or equivalent	Receiver measurements
Oscilloscope *	2 Channel 50 MHz Bandwidth 5 mV/div to 20 V/div	Leader LS8050 (www.leaderusa.com), Tektronix TDS1001b (www.tektronix.com), or equivalent	Waveform measurements
Power Meter and Sensor *	5% Accuracy 100 MHz to 500 MHz 50 Watts	Bird 43 Thruline Watt Meter (www.bird-electronic.com) or equivalent	Transmitter power output measurements
RF Millivolt Meter	100 mV to 3 V RF 10 kHz to 1 GHz	Boonton 92EA (www.boonton.com) or equivalent	RF level measurements
Power Supply	0 V to 32 V 0 A to 20 A	B&K Precision 1790 (www.bkprecision.com) or equivalent	Voltage supply

5.4 Documentation and Trainings

5.4.1 MOTOTRBO Documentation

The following items listed are documentation provided by Motorola to support the entire range of products available in the MOTOTRBO system.

Motorola Part No.	Name
GMLN4575D	MOTOTRBO Publications CD
68012003064	DP 4801 / DP 4800 Portable User Guide
68012003065	DP 4801 / DP 4800 Portable Quick Reference Card
68012003066	DP 4601 / DP 4600 Portable User Guide
68012003067	DP 4601 / DP 4600 Portable Quick Reference Card
68012003068	DP 4401 / DP 4400 Portable User Guide
68012003069	DP 4401 / DP 4400 Portable Quick Reference Card
68012003070	DP 4801 / DP 4800 / DP 4601 / DP 4600 / DP 4401 Portable Basic Service Manual
68012003071	DP 4801 / DP 4800 / DP 4601 / DP 4600 / DP 4401 Portable Detailed Service Manual
68012003060	DM 4400 / DM 4401 Mobile User Guide
68012003061	DM 4600 / DM 4601 Mobile User Guide
68012003062	DM 4400 / DM 4401 Mobile Quick Reference Guide
68012003063	DM 4600 / DM 4601 Mobile Quick Reference Guide
68012003037	DM 4400 / DM 4401 / DM 4600 / DM 4601 Mobile Basic Service Manual
68012003036	DM 4400 / DM 4401 / DM 4600 / DM 4601 Mobile Detailed Service Manual
6878362A01	DM 4400 / DM 4401 / DM 4600 / DM 4601 Mobile Installation Manual
6866574D01	DP 340x Quick Reference Guide (Multilingual)
6866574D05	DP 340x User Guide
6866574D02	DP 360x Quick Reference Guide (Multilingual)
6866574D06	DP 360x User Guide
6866574D04	DP 3000 Series Accessory List Leaflet
6866574D35	DP 3000 Series Detailed Service Manual
6866574D29	DP 3000 Series Basic Service Manual
6866575D33	DM 3000 Series Basic Service Manual
6866575D40	DM 3000 Series Detailed Service Manual
6866575D01	DM 340x Quick Reference Guide (Multilingual)
6866575D05	DM 340x User Guide

6866575D02	DM 360x Quick Reference Guide (Multilingual)
6866575D06	DM 360x User Guide
6866575D04	DM 3000 Series Accessory List Leaflet
6866575D26	DM 3000 Series Installation Manual
6866576D03	DR 3000 Basic Service Manual
6866576D16	DR 3000 Detailed Service Manual
6866576D02	DR 3000 Installation Guide

APPENDIX A CONTROL STATION INSTALLATION

The Data Revert Channel concept may require careful planning to achieve the expected data message throughput, as described in the loading sections of the System Planner. This is especially true as the number of control stations in a location is increased to support larger data traffic loads. Poorly designed installations may result in self-inflicted interference. The end result of this interference is often corrupted data messages, which increases the number of data message retries. This increase results in an additional load placed on the system.

A.1 Data Bearer Service

MOTOTRBO radios support both Unconfirmed and Confirmed data bearer services at Layer 2. The method selected impacts the transmit and receive roles that Revert Control Stations and either primary control stations (conventional) or trunked control stations (Capacity Plus) play within a system. In turn, these roles can impact the installation. It should be noted that applications often implement their own confirmations at the application level (Layer 7); therefore the use of the Unconfirmed data bearer service does not require that messages are unconfirmed by the receiving radio.

A.1.1 Unconfirmed Data

When Unconfirmed data is transmitted, it is transmitted to the receiver once. The receiver checks the integrity of the entire data message (CRC check) and either passes this up to the application (CRC check passes) through the IP layer or discards the data (CRC check fails). Below is an example to highlight the roles played by the control stations.

For example, a text message is sent from a text message server to an individual radio in a Capacity Plus system. Here, the text message is routed from the server to a Trunked Control Station. When the control station is allowed to transmit the data on the Rest channel, it is transmitted once. The receiving radio then checks the integrity of the message and if the CRC check passes, the data is passed up to the application. Upon receipt of the text message, the radio's application is required to send an application layer acknowledgement to the server for confirmation. Here, the radio moves to a Data Revert Channel and when allowed, transmits the data once to a Revert Control Station. The receiving control station checks the integrity of the message and if the CRC check passes, the data is passed up to the application. If the confirmation is not received by the application on the server, it will attempt to retry the message with the same procedure. Therefore, the use of the Unconfirmed Data Bearer Service can be utilized with application layer acknowledgements to provide an end-to-end confirmed data process.

Below is a summary of the transmit and receive roles required of the various control stations in the system utilizing Unconfirmed data.

- Revert Control Station (Conventional and Capacity Plus) – RX Only
- Primary Control Station (Conventional) – TX Only
- Trunked Control Station (Capacity Plus) – TX Only

NOTE: When operating with Unconfirmed data, the Revert Control Stations may be configured to operate as RX Only.

A.1.2 Confirmed Data

When Confirmed data is transmitted, it is transmitted to the receiver up to three times. The receiver checks the integrity of each TDMA burst (CRC check) as well as the entire data message (CRC check) and either passes this up to the application (CRC check passes) through the IP layer or responds to the initiating radio that select bursts or the entire message must be resent. Since scenarios like retries do not change the TX/RX roles played by the control stations, a first attempt success example is described below.

For example, a text message is sent from a text message server to an individual radio in a Capacity Plus system. Here, the text message is routed from the server to a Trunked Control Station. When the control station is allowed to transmit the data on the Rest channel, it is transmitted. The receiving radio checks the integrity of the bursts and of the message. If the CRC check passes, it transmits a received confirmation burst back to the Trunked Control Station as well as passes the data up to the application. Upon receipt of the text message, the radio's application is required to send an application layer acknowledgement to the server for confirmation. Here, the radio moves to a Data Revert Channel and transmits the data to a Revert Control Station when allowed. The receiving control station checks the integrity of the bursts and of the message and if the CRC check passes, it transmits a received confirmation burst back to the radio as well as passes the data up to the application.

Below is a summary of the transmit and receive roles required of the various control stations in the system utilizing Confirmed data.

- Revert Control Station (Conventional and Capacity Plus) – RX and TX
- Primary Control Station (Conventional) – TX and RX
- Trunked Control Station (Capacity Plus) – TX and RX

NOTE: When operating with Confirmed data, the Revert Control Stations cannot be configured to operate as RX Only.

A.2 Interference

With multiple control stations operating in close proximity, it is important to isolate the transmitted signals from the receivers. Typical types of interference to consider are Intermodulation and Desense (Blocking).

A.2.1 Intermodulation

Intermodulation (IM) occurs when two or more off channel signals “mix” in the receiver's front-end to create a product that falls on the receive channel. This product effectively raises the noise floor of the receiver and dictates a larger received signal to establish an acceptable Signal to Noise Ratio (SNR). Typical IM protection of the control station is around 75 dB. It should be noted that this protection diminishes when one of the interferers is on the adjacent channel. Operating with self-inflicted IM due to frequency selection is not recommended as TX/RX isolations in excess of 80 dB (depends on interferer level and receiver level) may be required. Adequate frequency planning/selection may resolve this concern.

A.2.2 Desense (Blocking)

Desense or blocking occurs when a very strong off-channel signal begins to saturate the receiver's front end. This effectively raises the noise floor of the receiver and dictates a larger received signal to establish an acceptable SNR. Typical desense protection of a control station is 100 dB. Every installation will need to take this into consideration when designing the site installation.

A.3 Control Station Installation Considerations

Mitigation techniques require isolating the transmitted signal from the receivers. Two general rules for good design are:

- Place the receiving control station antennas in a location where they will receive a strong RF signal from the source.
- Turn down the output power of the transmitting control stations to the minimum required power to establish reliable communications.

A strong receive signal can overcome elevated noise floors without impacting data reliability and turning down the TX power decreases the interfering signals that the receivers must tolerate. These general rules have only one objective, which is to help achieve acceptable TX/RX isolation within a reasonable budget. However, it should be noted that a stronger receive signal is not always better when IM issues exist. When the issue is caused by third order IM, every one dB of receive path loss will degrade the receivers' sensitivity by one dB and improve IM performance by three dB. Two examples are provided to illustrate this point when IM is not an issue.

Example 1: Fifty watts (+47 dBm) of control station output power is required, and the typical receiver power level into the control station is -115 dBm. The difference between the TX and the RX power is 162 dB. Since the control station typically provides 100 dB of blocking protection, 62 dB of TX/RX isolation is required.

Example 2: Two watts (+33 dBm) of control station output power is required, and the typical receiver power level into the control station is -95 dBm. The difference between the TX and the RX power is 128 dB. Since the control station typically provides 100 dB of blocking protection, 28 dB of TX/RX isolation is required. This comparatively, is much easier to obtain than in Example 1.

A.3.1 Unconfirmed Data Considerations

The Revert Control Stations only receive and never transmit. Therefore, there are no isolation requirements between these stations. The installation could be as simple as using an individual antenna for each control station.

The Primary or Trunked Control Stations only transmit and never receive. Therefore, there are no isolation requirements between these stations. The installation could be as simple as using an individual antenna for each control station.

However, the Revert and either the Primary or Trunked Control Stations may be in close proximity with each other and there are isolation requirements between these different types of control stations. Assuming an IM free frequency plan was selected, the interference to account for is blocking. If the different types of control stations must be in close proximity, consider adding an RX bandpass filter to attenuate the TX signals. If an IM free frequency plan is not possible, it is recommended to place circulators on the transmitting control stations in order to minimize TX IM. An example of this type of installation is illustrated below.

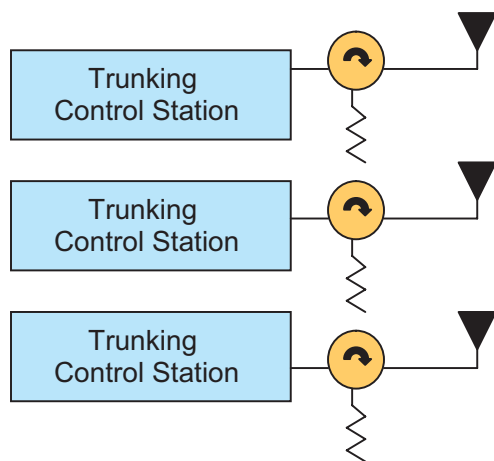
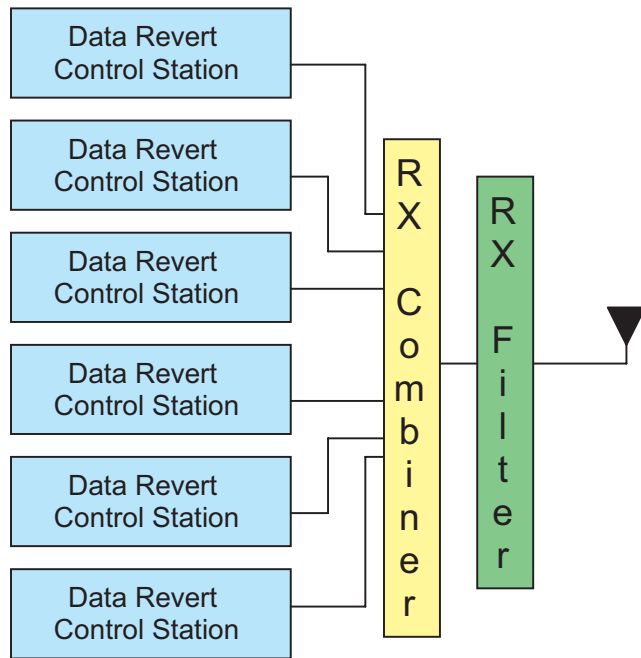


Figure A-1 Installation of Control Stations for Unconfirmed Data

A.3.2 Confirmed Data Considerations

All control stations must be both TX and RX. Therefore, there are isolation requirements between all control stations and not just different types of control stations. Assuming an IM free frequency plan was selected, the interference to design around is blocking. One method is to separate the RX and TX paths of the Revert Control Stations. As these are fixed frequencies, this can be accomplished with a duplexer.

Trunked Control Stations are required to operate on multiple channels and Revert Control Stations are only required to operate on one channel; the properties of the duplexers may differ for the different control station types. The same techniques that were applied to Unconfirmed Data can then be applied to Confirmed Data. An example of this type of installation is illustrated below.

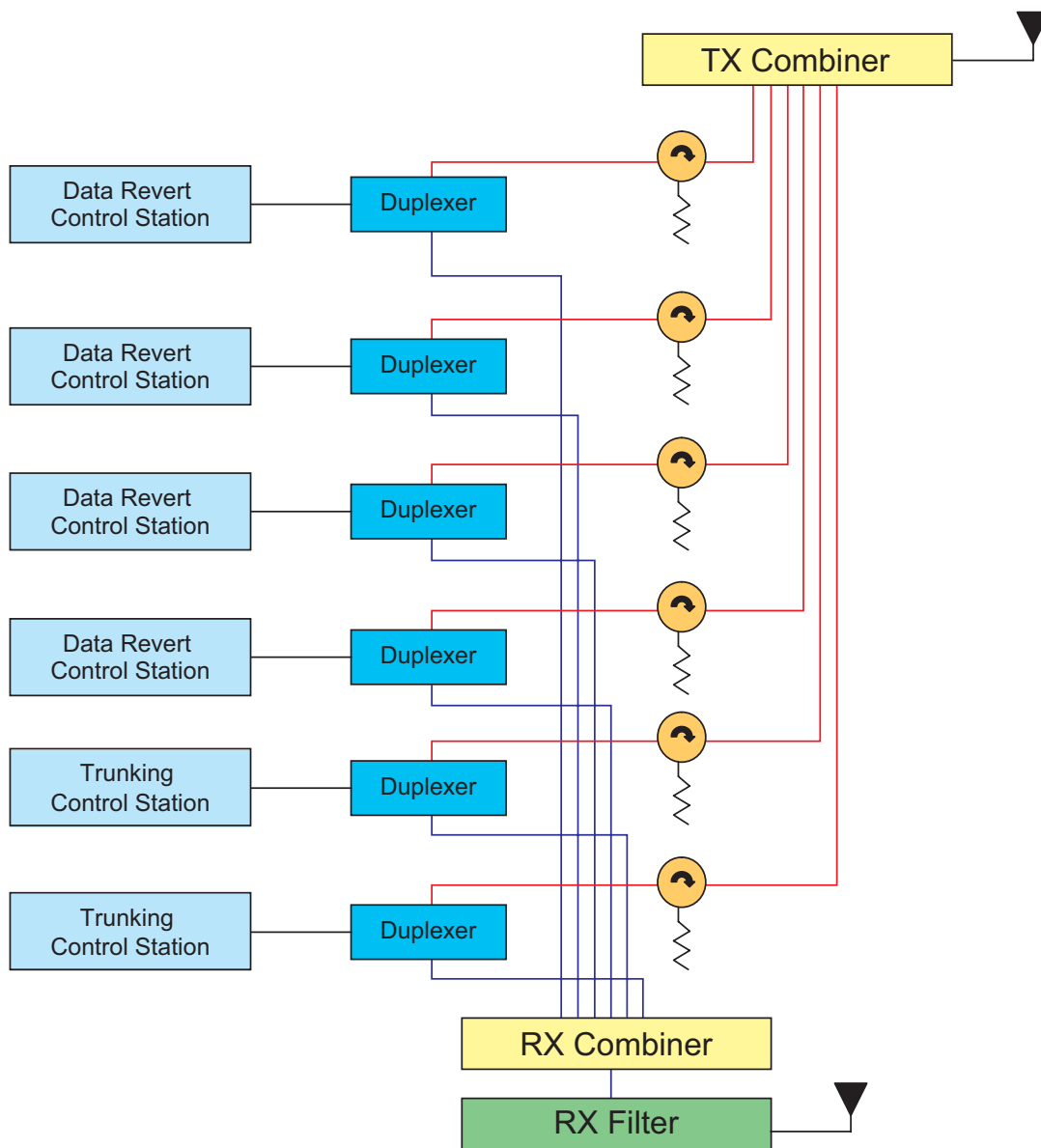


Figure A-2 Installation of Control Stations for Confirmed Data

A.3.3 Antenna Separation

One method to provide isolation between the transmitters and the receivers is through antenna separation. The following charts indicate the typical isolation of two dipole antennas when either separated horizontally or vertically.

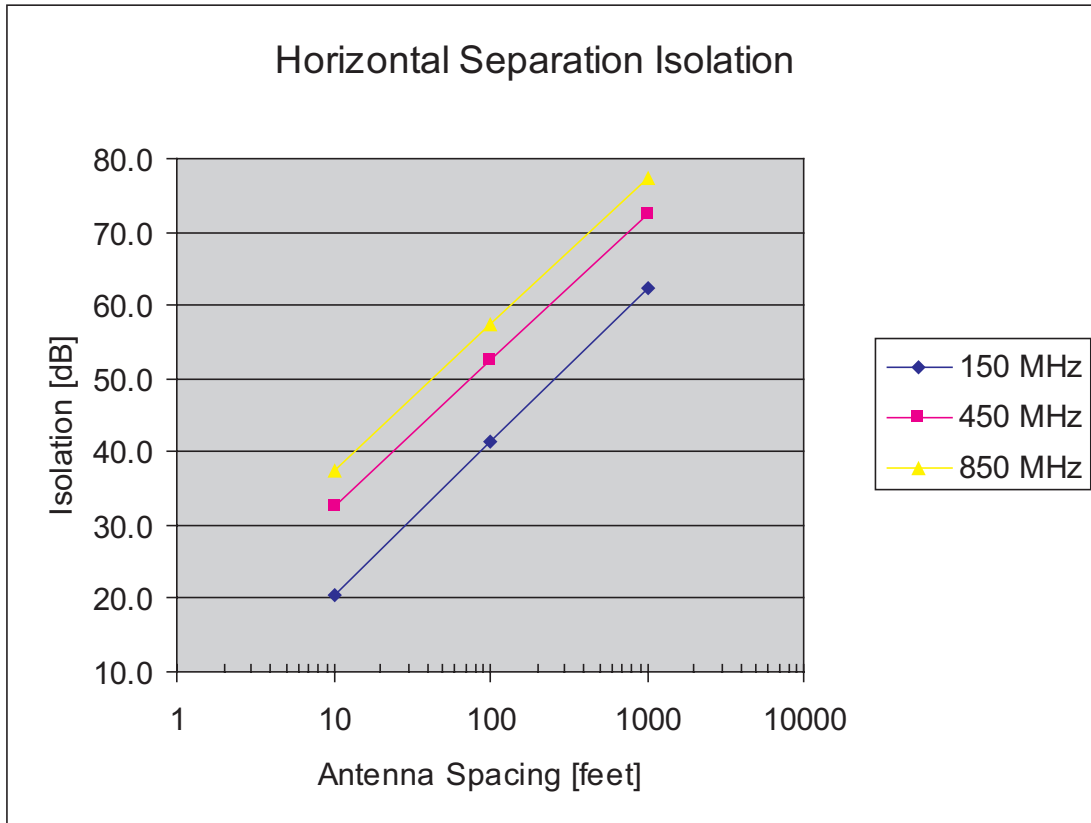


Figure A-3 Horizontal Separation Isolation

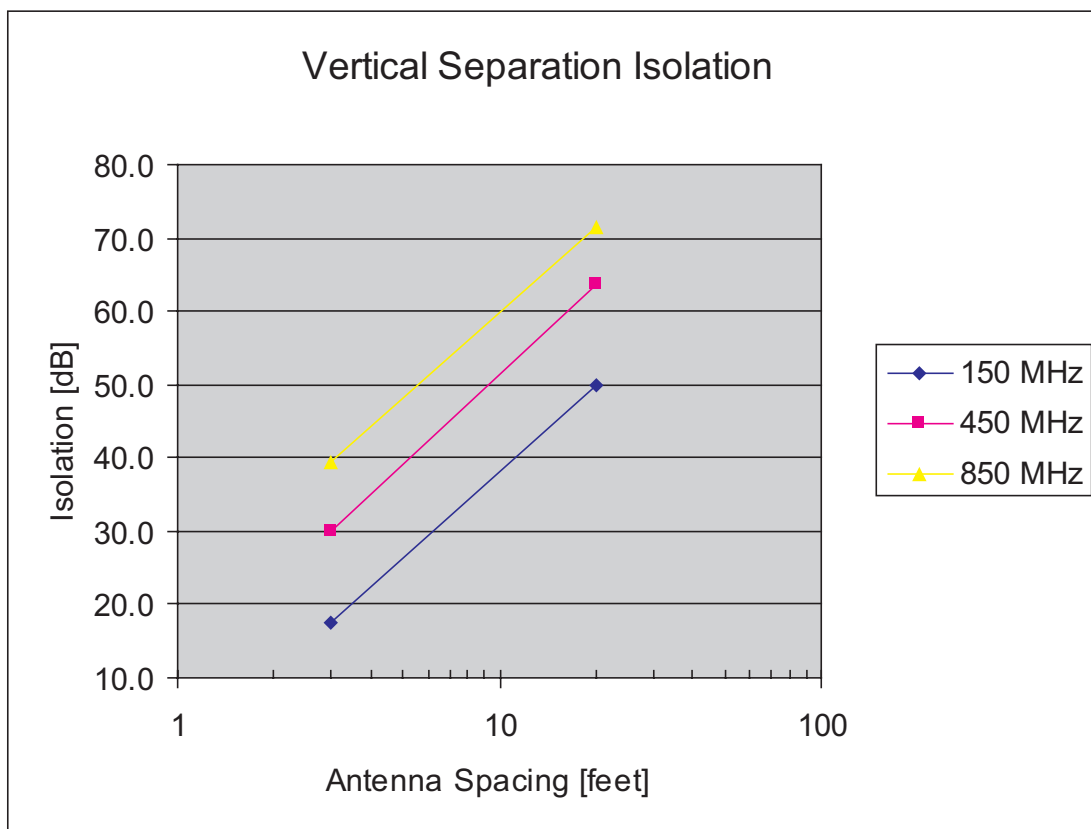


Figure A-4 Vertical Separation Isolation

Glossary

This glossary contains an alphabetical listing of acronyms that are applicable to MOTOTRBO systems and products.

Acronym	Definition
APP	Analog Phone Patch
CAI	Common Air Interface ID
COTS	Commercial Off-the-Shelf
CPS	Customer Programming Software
CTL	Channel Timing Leader
CWID	Continuous Wave Identification (CWID)
DCDM	Dual Capacity Direct Mode (DCDM)
DMM	Dynamic Mixed Mode
DTC	Designated Transmit Channel
DTP	Digital Telephone Patch
DTMF	Dual Tone Multi Frequency
ECA	Enhanced Channel Access
IPSC	IP Site Connect
ISP	Internet Service Provider
LAC	Local Area Channel
LAN	Local Area Network
LCP	Linked Capacity Plus
MCDD	Multi-Channel Device Driver
NAT	Network Address Translation
OTA	Over-the-Air
OTAP	Over-the-Air Programming
PBX	Private Branch Exchange
PN	Presence Notifier
PSTN	Public Switched Telephone Network
PTT	Push-to-Talk button
QoS	Quality of Service
RAS	Restricted Access to System

Acronym	Definition
RF	Radio Frequency
TOT	Time-out Timer
WAC	Wide Area Channel
WAN	Wide Area Network



MOTOROLA, MOTO, MOTOROLA SOLUTIONS and the Stylized M logo are trademarks or registered trademarks of Motorola Trademark Holdings, LLC and are used under license. All other trademarks are the property of their respective owners. © 2006 – 2012 Motorola Solutions, Inc. All rights reserved. November 2012.

www.motorolasolutions.com/mototrbo



68007024085-J (Version 2)