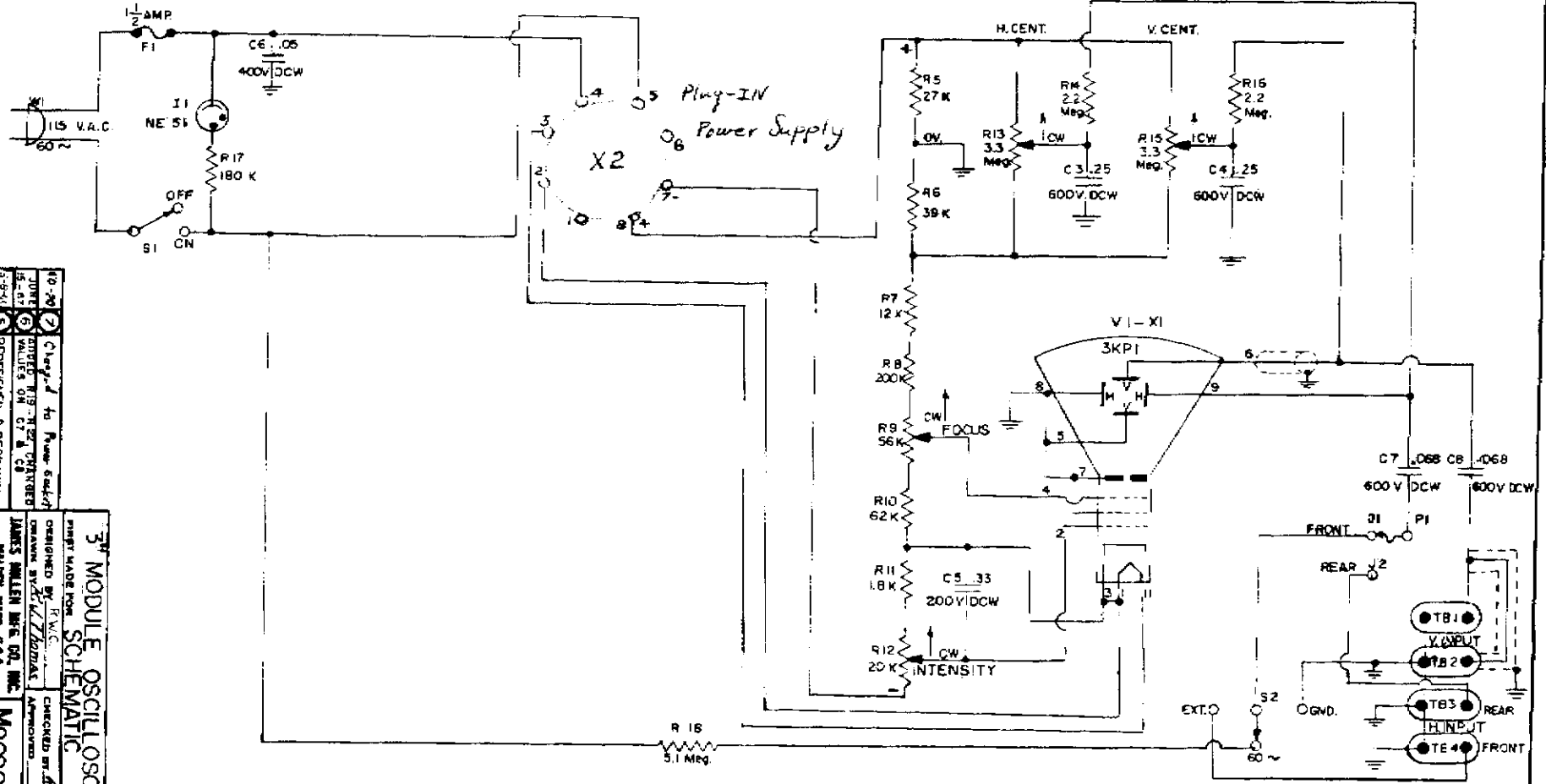


THIRD ANGLE PROJECTION



10-20 2 Change to Power Supply
 15-17 6 DIVIDE BY 10 IN CENTER
 15-17 6 VALUES ON OF A.C.
 3-9-61 5 REVISIONS & REORDNIN

3rd MODULE OSCILLOSCOPE
 DESIGNED BY R.M.C.
 DRAWN BY J.C. ZADZACK
 CHECKED BY R.P.Z.
 JAMES MILLEN INC. BOSTON, MASS., U.S.A.
 M90903-1
 DATE 3-8-66

(K) DENOTES 1000 OHMS) (ALL C VALUES IN MFD)

8/11
 C8