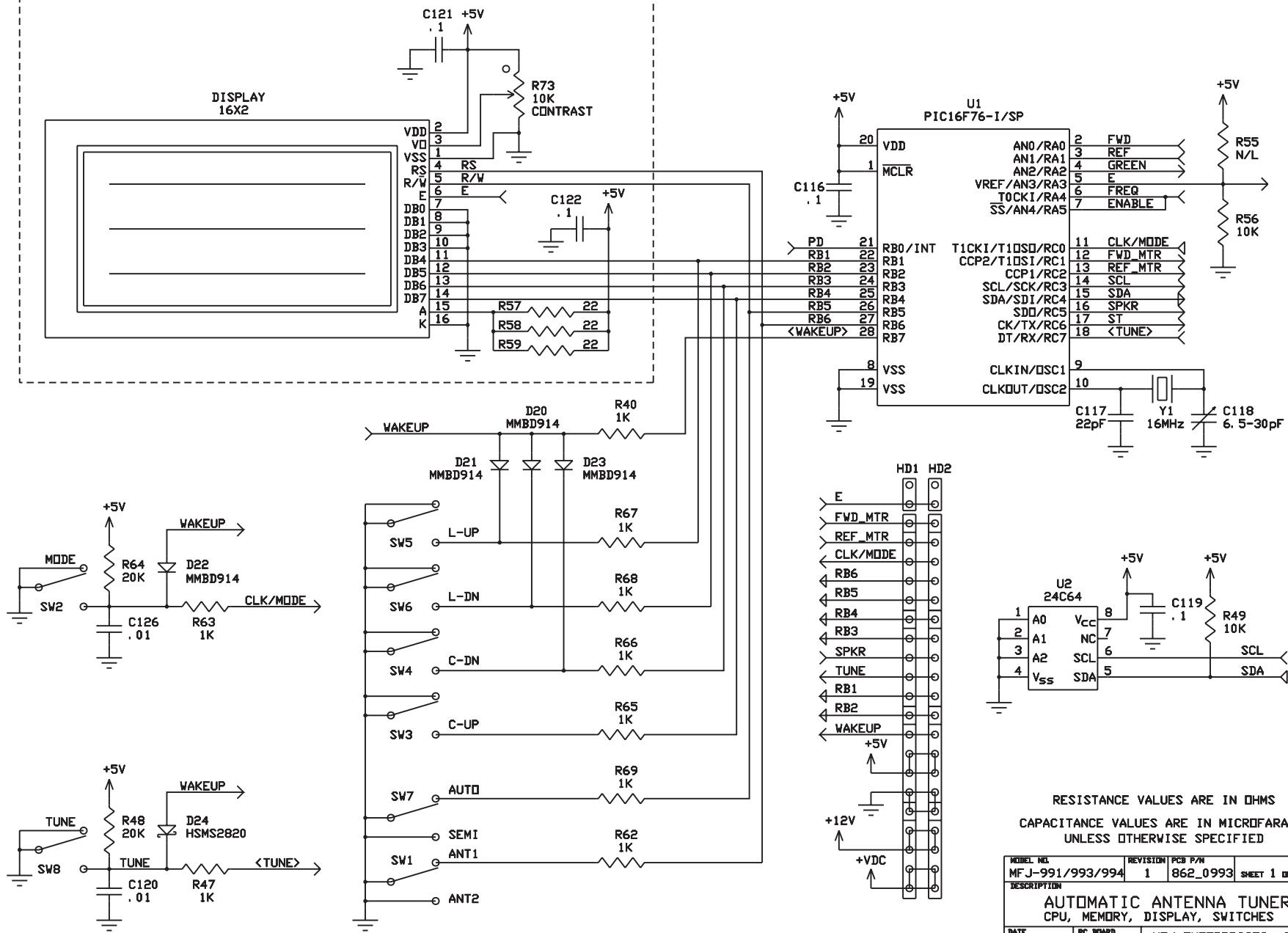
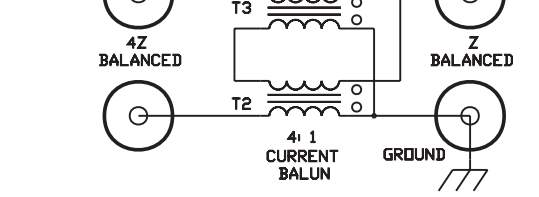
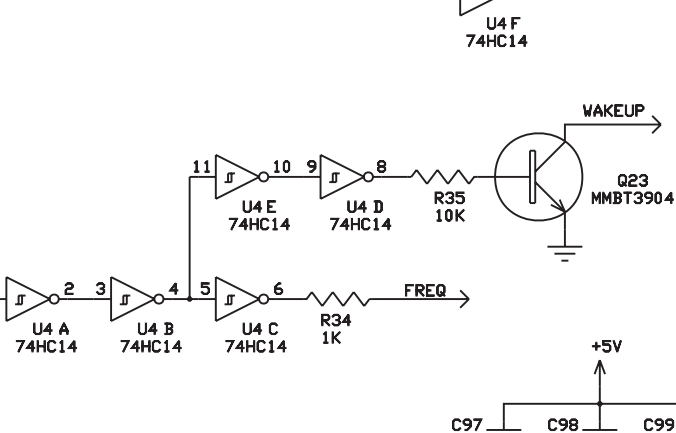
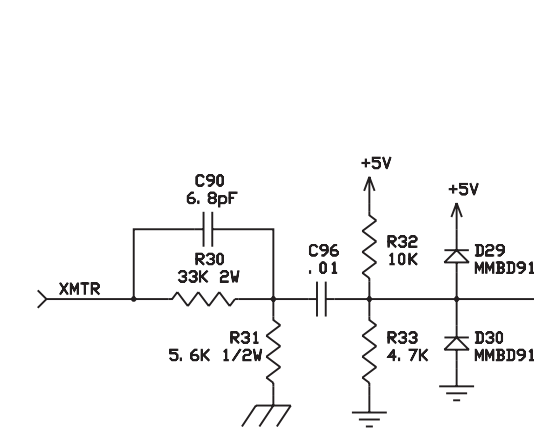
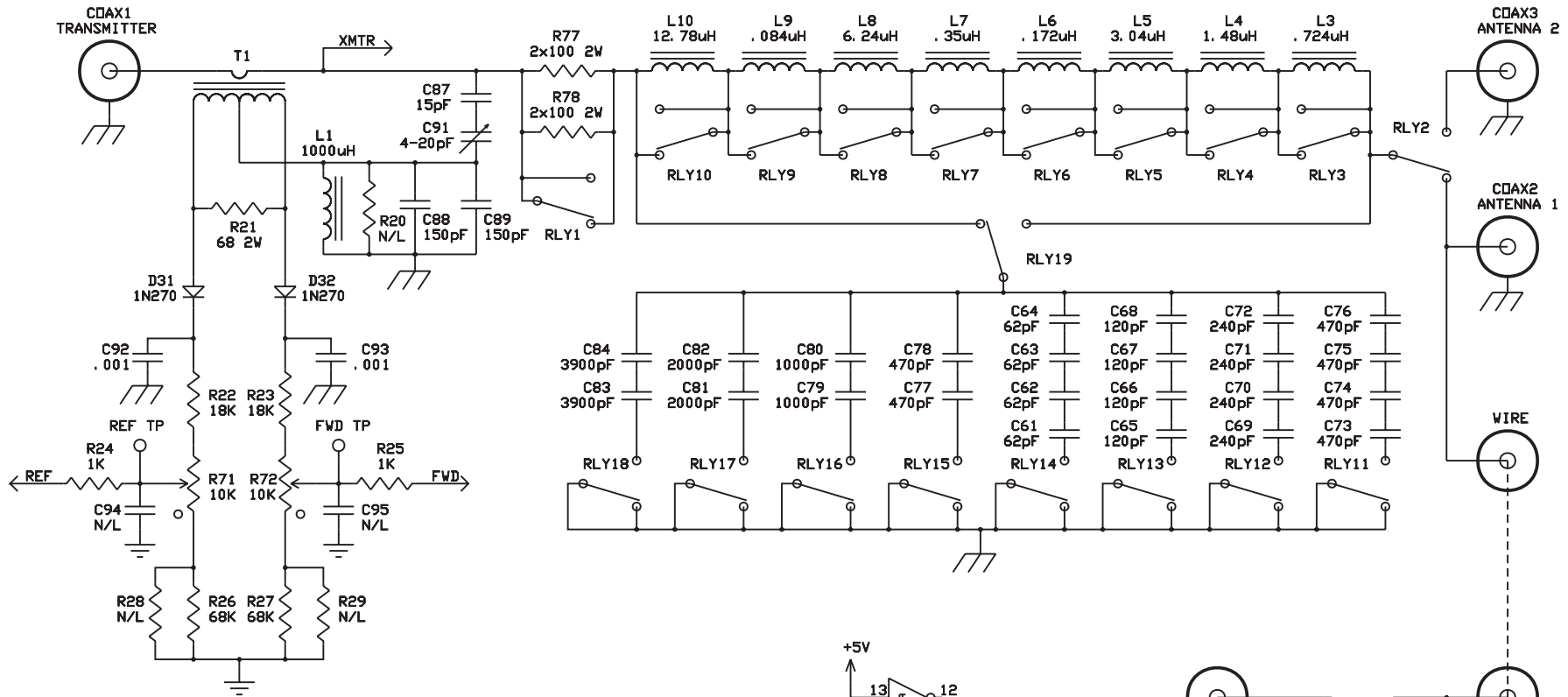


MFJ-993 ONLY



RESISTANCE VALUES ARE IN OHMS
CAPACITANCE VALUES ARE IN MICROFARADS
UNLESS OTHERWISE SPECIFIED

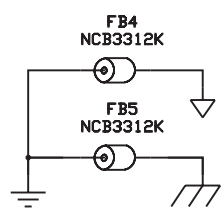
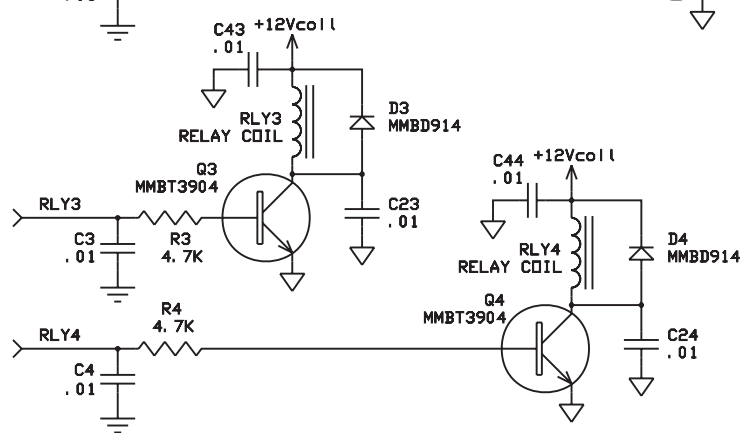
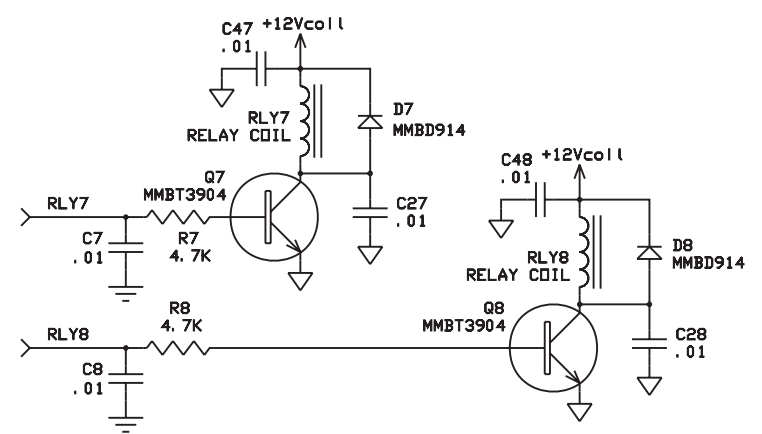
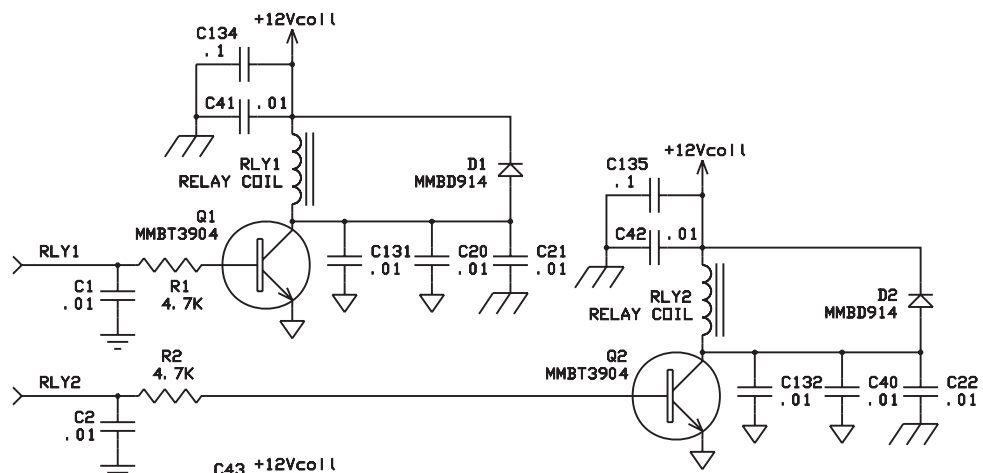
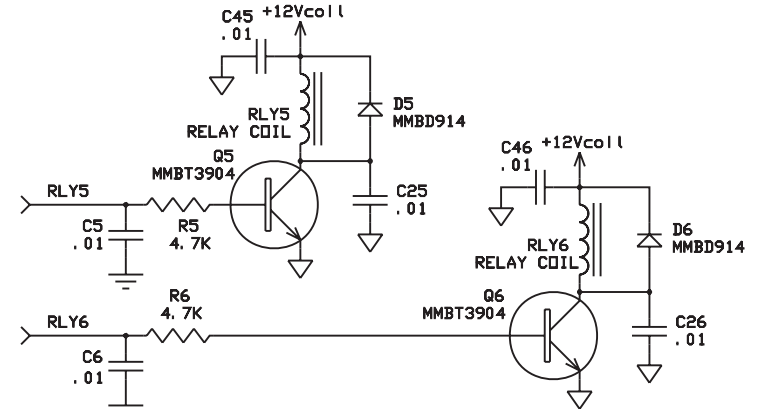
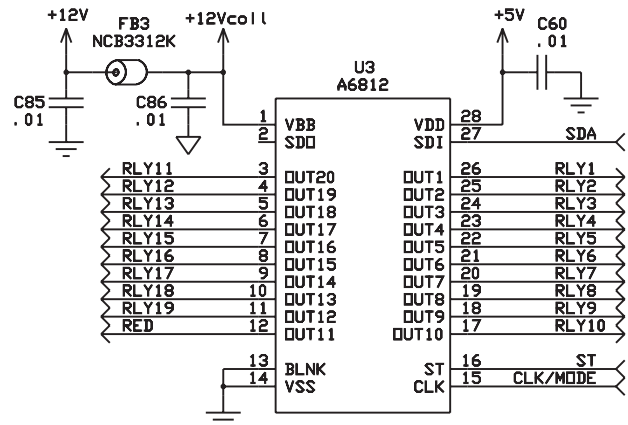
MODEL NO.	REVISION	PCB P/W	SHEET 1 OF 5
MFJ-991/993/994	1	862_0993	
DESCRIPTION			
AUTOMATIC ANTENNA TUNER CPU, MEMORY, DISPLAY, SWITCHES			
DATE	PC BOARD	MFJ ENTERPRISES, INC.	
09/29/04	M993_1	300 INDUSTRIAL PARK RD	
ENGINEER	DRAWN BY	STARKVILLE, MS 39759	
H. WONG	H. WONG		



RESISTANCE VALUES ARE IN OHMS
CAPACITANCE VALUES ARE IN MICROFARADS
UNLESS OTHERWISE SPECIFIED

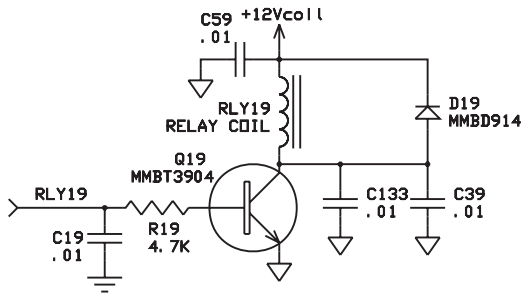
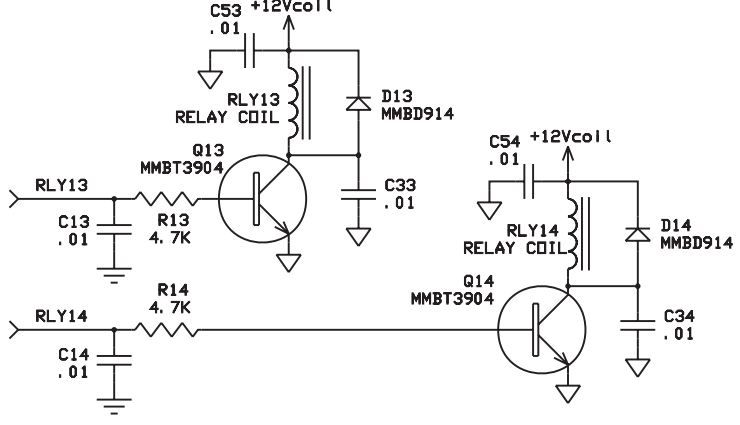
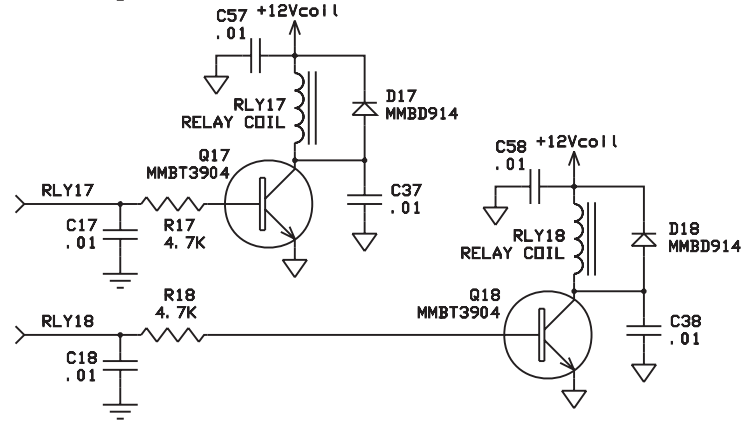
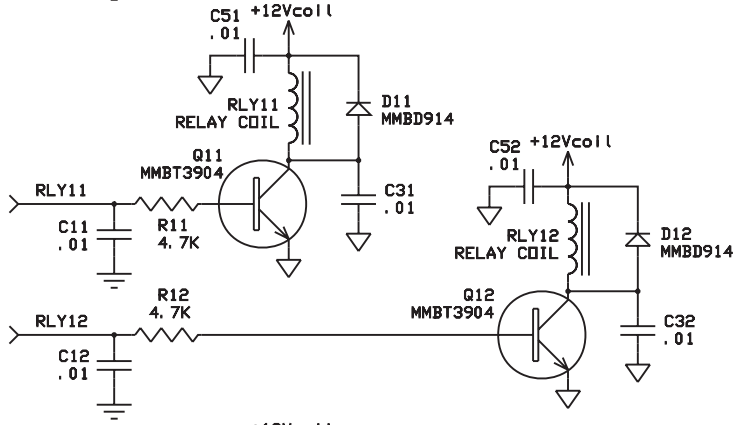
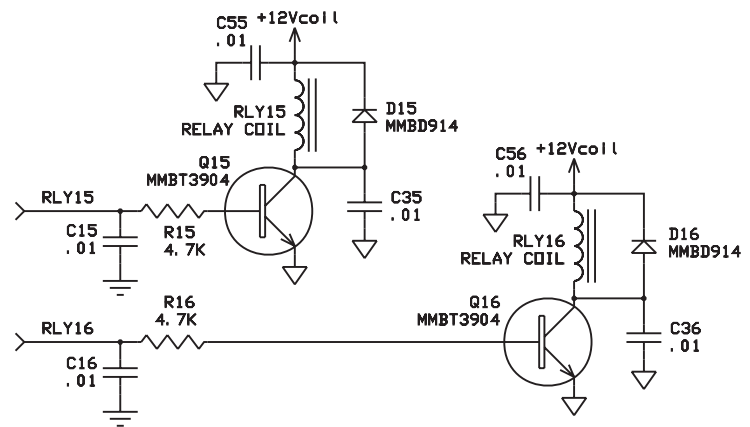
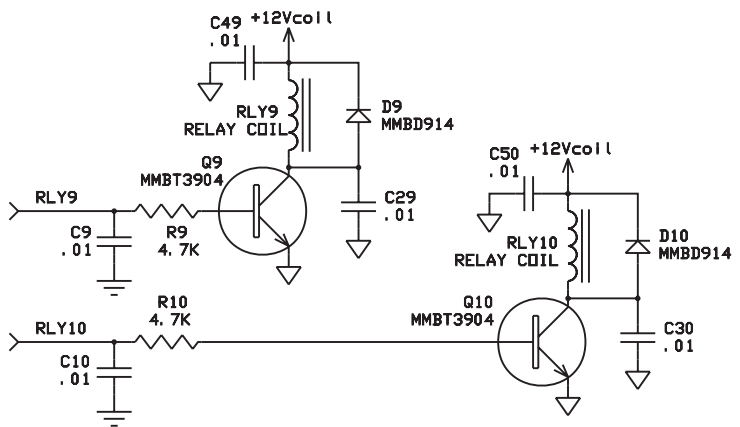
MODEL NO. MFJ-991/993/994	REVISION 1	PCB P/N 862-0993	SHEET 2 OF 5
DESCRIPTION AUTOMATIC ANTENNA TUNER BRIDGE, L-NETWORK, FREQ CNTR, BALUN			
DATE 09/28/04	PC BOARD M993_1	MFJ ENTERPRISES, INC. 300 INDUSTRIAL PARK RD STARKVILLE, MS 39759	
ENGINEER H. WONG	DRAWN BY H. WONG		

- * ALL RELAYS ARE SINGLE SMIH-12VDC-SL-C.
- * L6 & L9 ARE 14AWG AIR COILS; TOROIDS L3, L4, L5, L7, L8 & L10 ARE T106-2, 18AWG.
- * ALL L-NETWORK CAPACITORS ARE RATED 500V.
- * SET FWD & REF TRIMPOTS FOR 2.722V AT TP WITH 100W INPUT INTO 50 OHM LOAD.



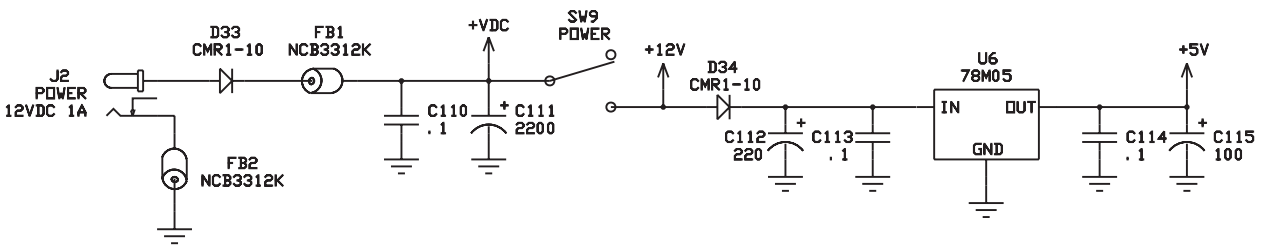
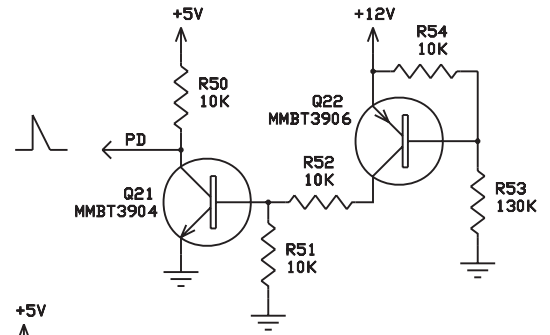
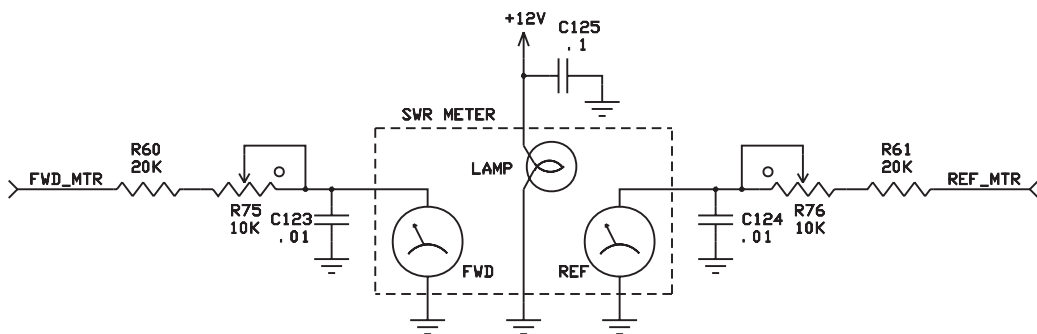
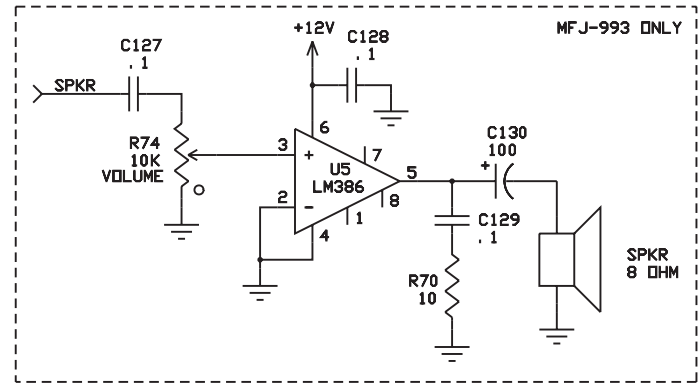
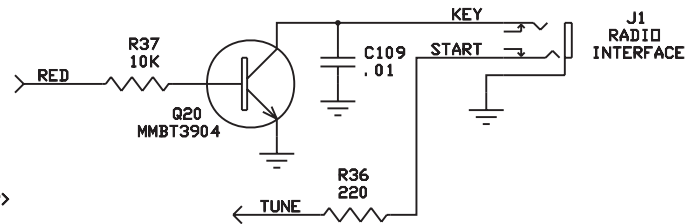
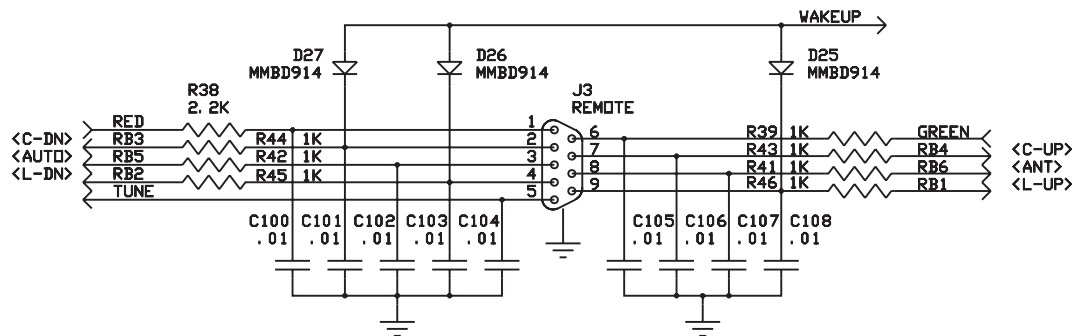
RESISTANCE VALUES ARE IN OHMS
CAPACITANCE VALUES ARE IN MICROFARADS
UNLESS OTHERWISE SPECIFIED

MODEL NO.	REVISION	PCB P/N	SHEET 3 OF 5
MFJ-991/993/994	1	862-0993	
DESCRIPTION			
AUTOMATIC ANTENNA TUNER LATCH, RELAY COILS & DRIVERS			
DATE	PC BOARD	MFJ ENTERPRISES, INC.	
05/12/04	M993_1	300 INDUSTRIAL PARK RD	
ENGINEER	DRAWN BY	STARKVILLE, MS 39759	
H. WONG	H. WONG		



RESISTANCE VALUES ARE IN OHMS
CAPACITANCE VALUES ARE IN MICROFARADS
UNLESS OTHERWISE SPECIFIED

MODEL NO. MFJ-991/993/994	REVISION 1	PCB P/N 862_0993	SHEET 4 OF 5
DESCRIPTION AUTOMATIC ANTENNA TUNER RELAY COILS & DRIVERS			
DATE 05/12/04	PC BOARD M993_1	MFJ ENTERPRISES, INC. 300 INDUSTRIAL PARK RD STARKVILLE, MS 39759	
ENGINEER H. WONG	DRAWN BY H. WONG		



RESISTANCE VALUES ARE IN OHMS
CAPACITANCE VALUES ARE IN MICROFARADS
UNLESS OTHERWISE SPECIFIED

MODEL NO. MFJ-991/993/994	REVISION 1	PCB P/N 862-0993	SHEET 5 OF 5
DESCRIPTION AUTOMATIC ANTENNA TUNER METER, REMOTE, RADIO, SPKR, POWER			
DATE 09/29/04	PC BOARD M993_1	MFJ ENTERPRISES, INC. 300 INDUSTRIAL PARK RD STARKVILLE, MS 39759	
ENGINEER H. WONG	DRAWN BY H. WONG		

* REMOTE DB9 CONNECTOR SHOWN IS OUTSIDE VIEW.