

# HYSTERESIS CURVE PLOTTING

## APPLICATION NOTE 108

---

HEWLETT  
PACKARD  MOSELEY  
DIVISION

---

APPLICATION NOTE 108

## HYSTERESIS CURVE PLOTTING

Copyright HEWLETT-PACKRD/MOSELEY DIVISION 1966

433 NO. FAIR OAKS AVENUE, PASADENA, CALIFORNIA

*62205*

Printed: February 1966

## HYSTERESIS CURVE PLOTTING

The usefulness of recorded hysteresis curves; B-H, force-displacement, or thermodynamic, has long been recognized in system testing and analysis. Permanent records of hysteresis curves have often been limited to small inaccurate pictures of oscilloscope traces that are difficult to graphically analyze. The following should help to categorize and simplify some of the presently available methods for obtaining permanent records of hysteresis curves using X-Y recorders.

In each of the following setups, the key instrument is the Moseley 101 Waveform Translator. Its function is to transform via sampling techniques, the high frequency data to a low frequency that can easily be handled by an X-Y recorder. The Moseley 101, when operating in an X-Y mode rather than Y-T (time),

requires an external trigger. The external trigger source must be synchronized to within a fraction of a cycle per second of the signal generator. The following setups demonstrate methods of obtaining the external trigger.

### METHOD I

#### TRIGGER VIA INDEPENDENT GENERATOR

The first technique, (Figure 1) is to adjust two independent oscillators until their frequencies are within a fraction of a cycle per second. One oscillator excites the test body with a sin wave, the other supplies a square wave trigger signal for the Moseley 101. The oscillator frequencies should be matched to within a  $1/4$  or  $1/5$  of a cycle per second. This would allow 4 to 5 seconds for the trace to be made. This technique, although difficult to maintain (because of oscillator frequency drift), is effective below 1 kc.

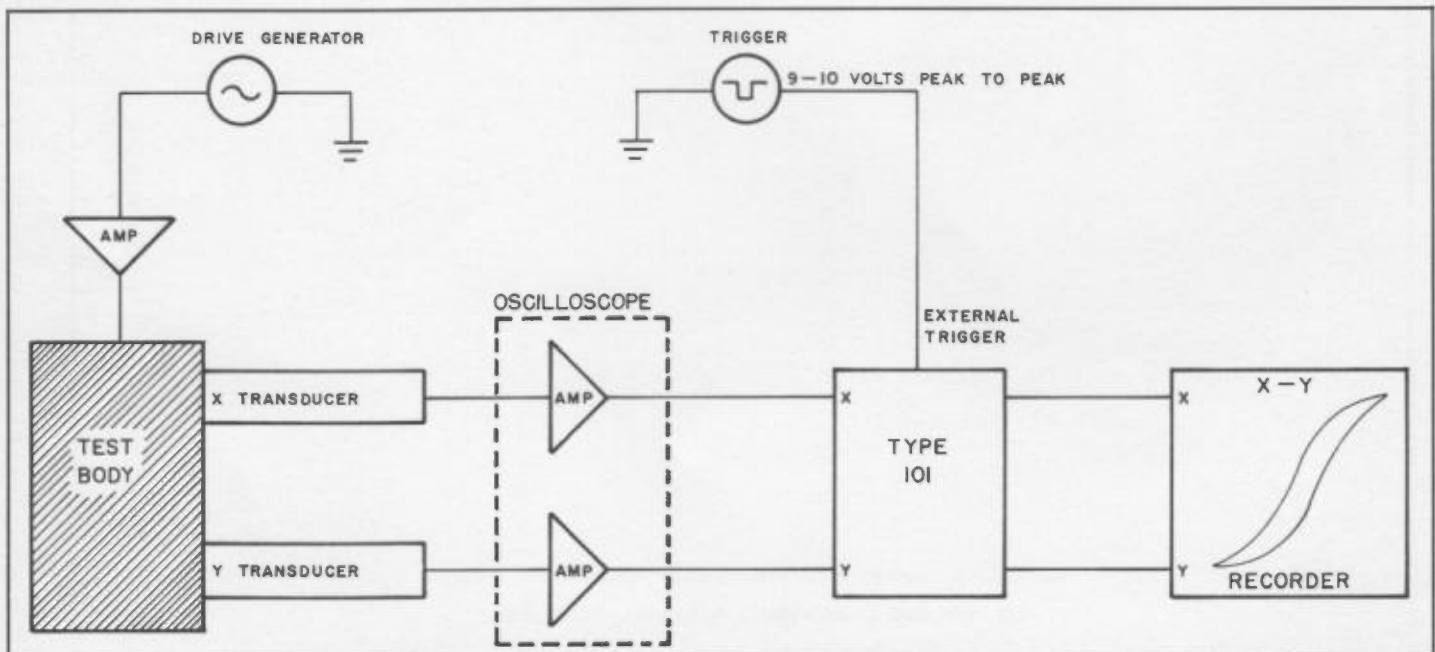


FIGURE 1. TRIGGER VIA INDEPENDENT GENERATOR

## METHOD II

### TRIGGER VIA PHASE SHIFT

The second system (Figure 2a, b) uses the phase lag dial on a Model 203A as a manual scan control to develop the trigger for the Moseley 101. This setup can be used at frequencies up to 60 kc (limited by the Model 203A). The only limitation here is that the

smoothness of the trace is, to some extent, determined by the operator's care in turning the phase dial.

NOTE: In methods one and two a spike may appear in the X-Y trace. The Ramp Generator and Comparator Card in the Moseley 101 is not used in this mode of operation. Removal of this card will eliminate the spike.

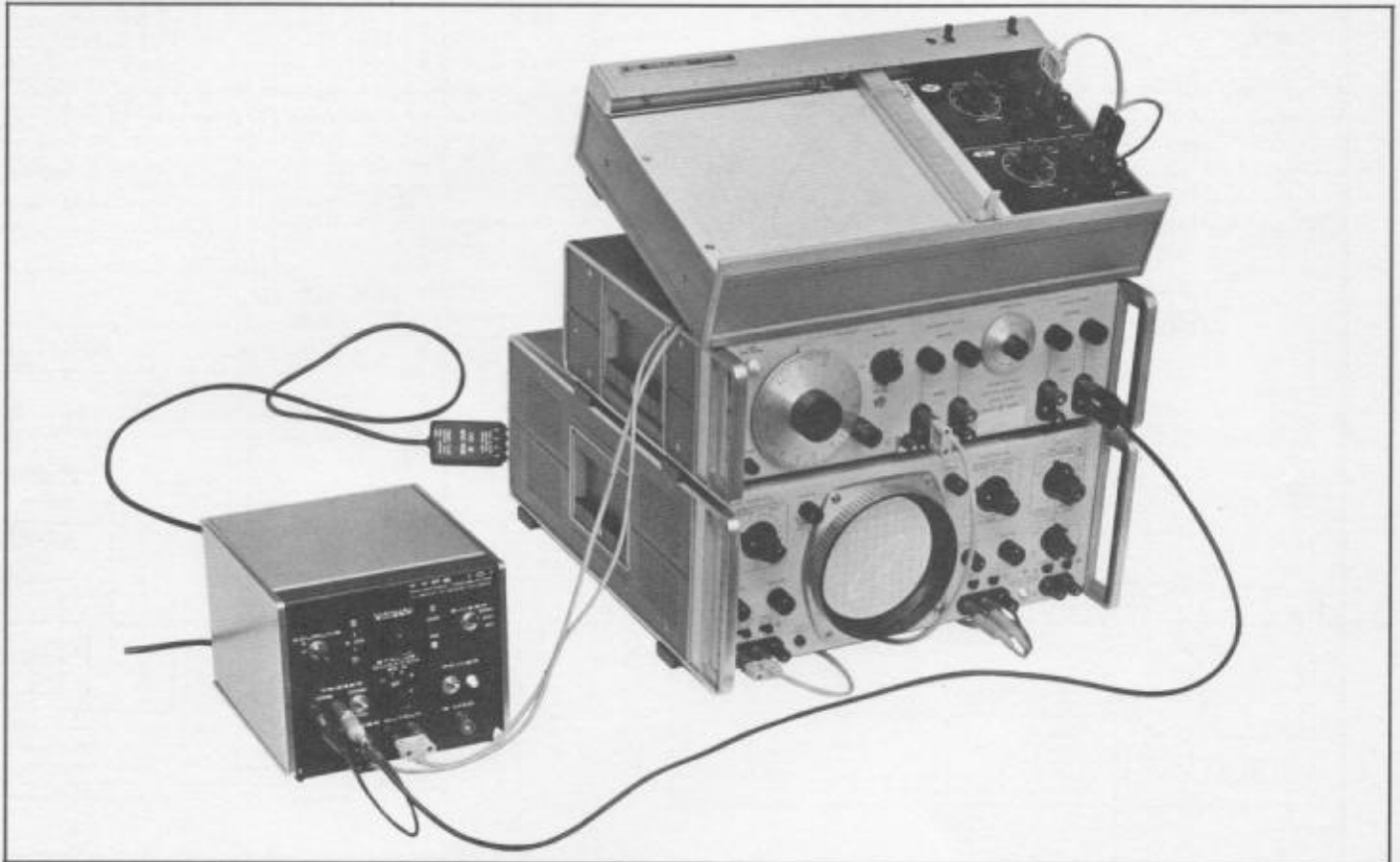


FIGURE 2a. METHOD II IN OPERATION

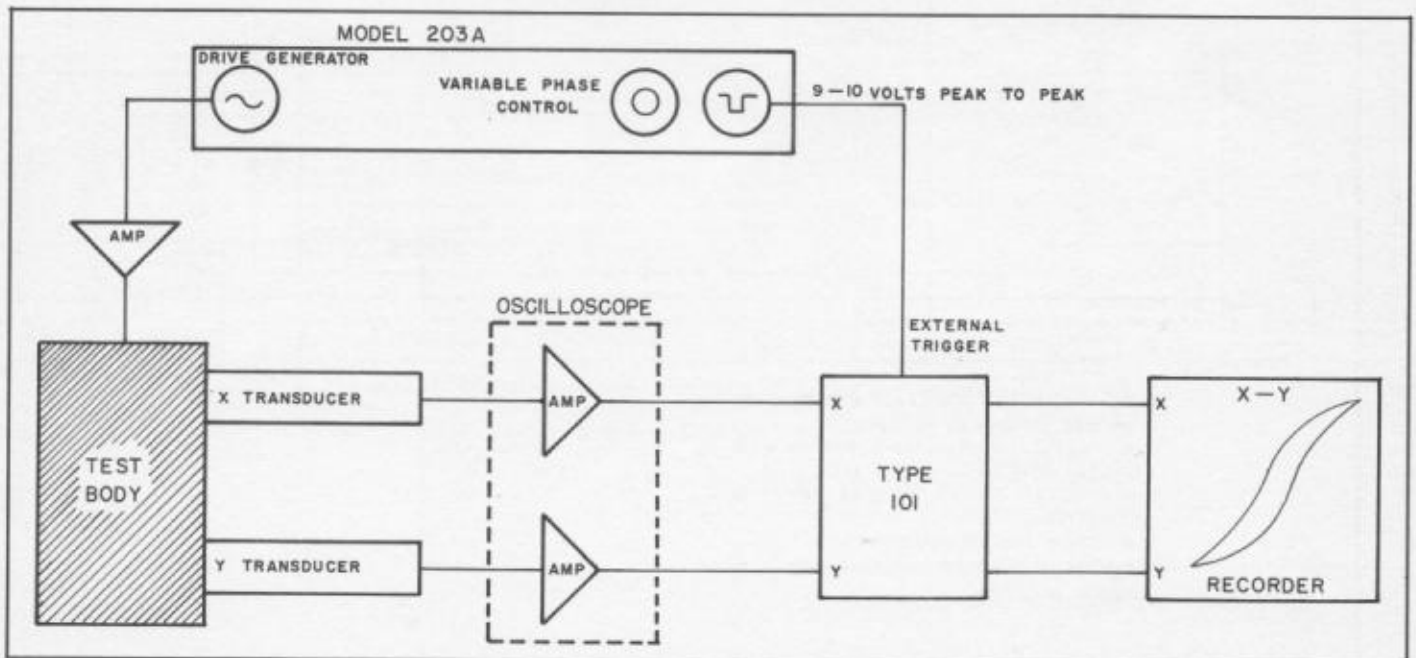
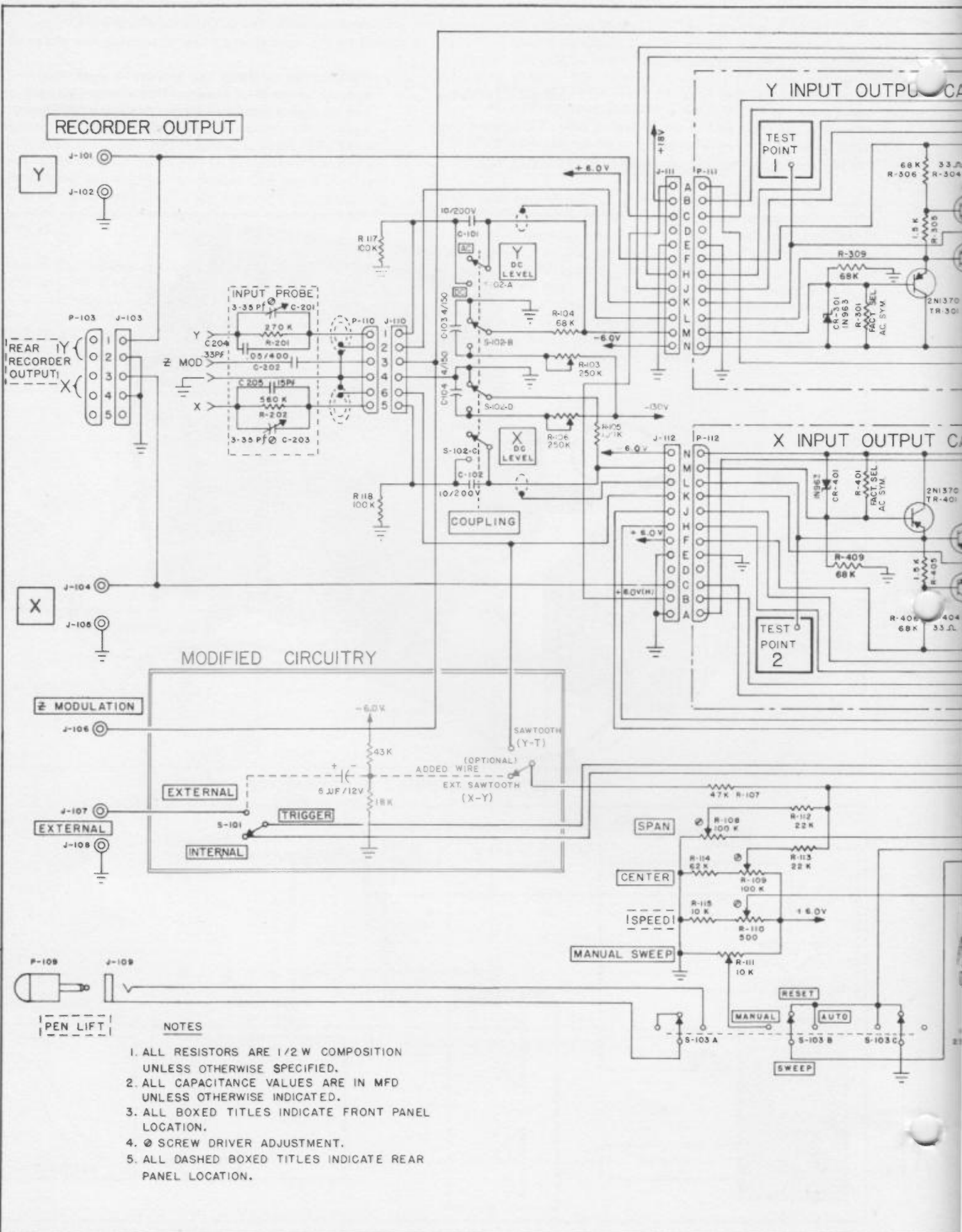
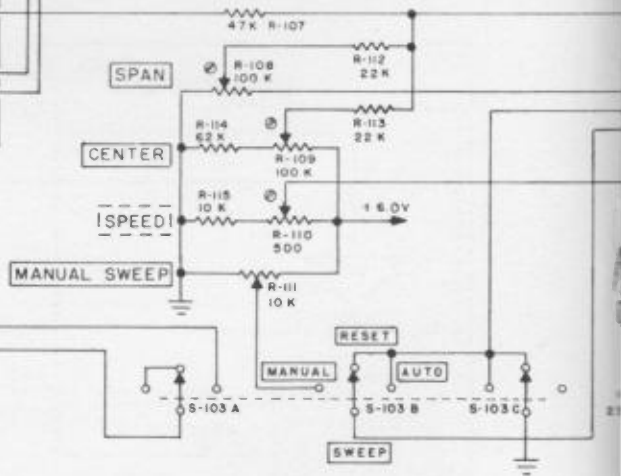
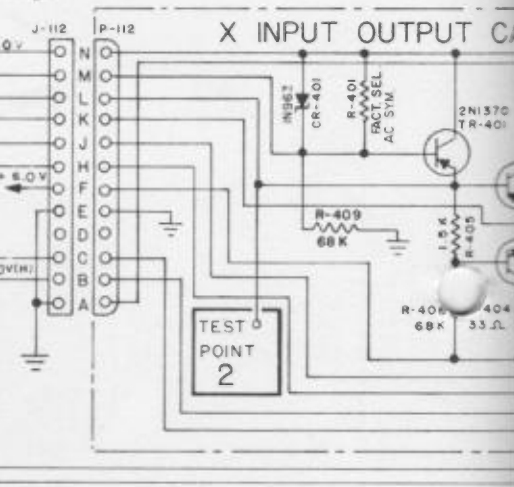
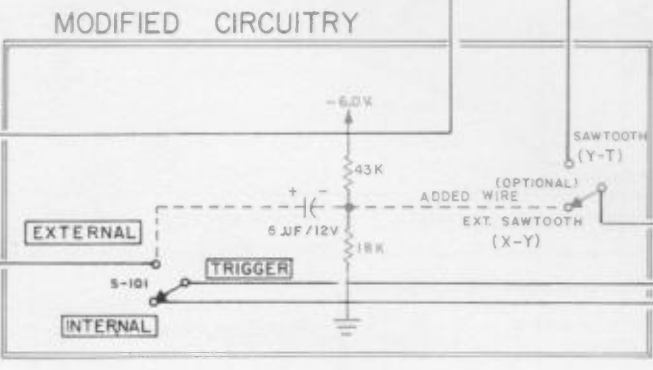
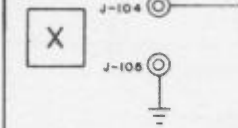
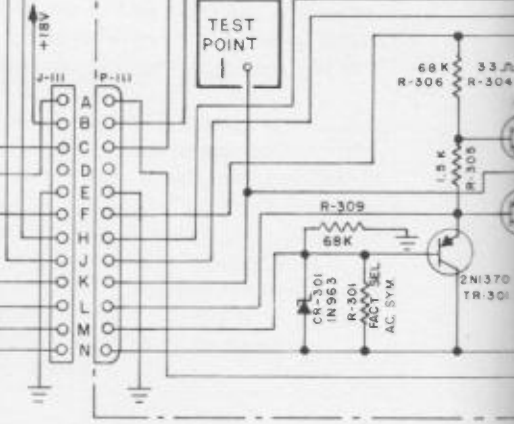
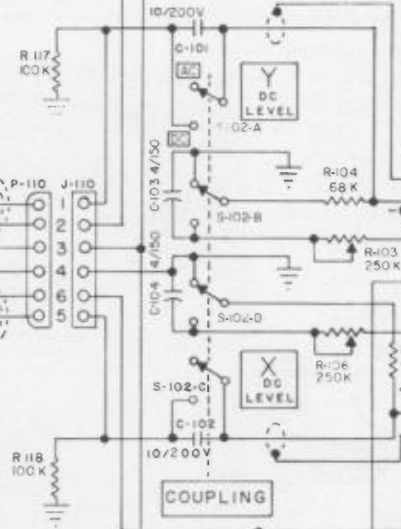
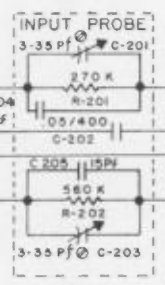
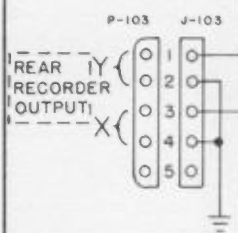
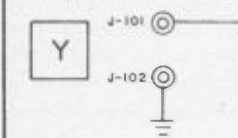


FIGURE 2b. TRIGGER VIA PHASE SHIFT



**REAR Y RECORDER OUTPUT**



PEN LIFT

**NOTES**

1. ALL RESISTORS ARE 1/2 W COMPOSITION UNLESS OTHERWISE SPECIFIED.
2. ALL CAPACITANCE VALUES ARE IN MFD UNLESS OTHERWISE INDICATED.
3. ALL BOXED TITLES INDICATE FRONT PANEL LOCATION.
4. Ø SCREW DRIVER ADJUSTMENT.
5. ALL DASHED BOXED TITLES INDICATE REAR PANEL LOCATION.



### METHOD III

#### TRIGGER VIA AUXILIARY OSCILLOSCOPE

The third setup (Figure 3) requires an oscilloscope that has a sawtooth available from either the rear horizontal deflection plates or the front panel. The sawtooth voltage must be attenuated to 4 - 5 volts peak to peak. Then a slight modification, discussed later, must be performed to the Moseley 101. The advantages of this setup is being able to use the automatic sweep mode in the 101 which will give traces free of any ripples that the operator may have induced in the Figure 2 setup and allows the remote pen lift capabilities of the recorder to be interlocked with the Waveform Translator.

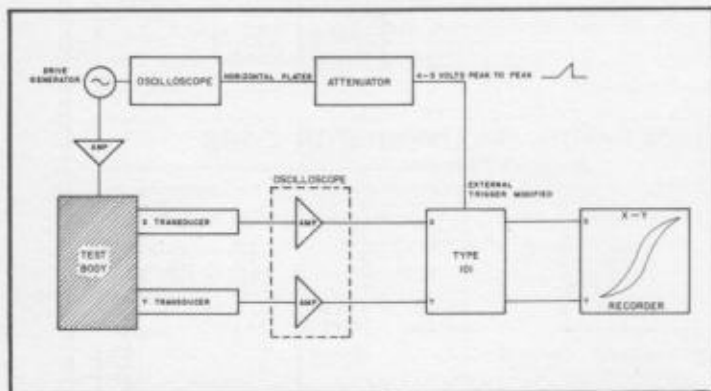


FIGURE 3. TRIGGER VIA OSCILLOSCOPE

### METHOD IV

#### TRIGGER AND AMPLIFICATION VIA OSCILLOSCOPE

It should be remembered that the Moseley 101 was primarily developed for accurately recording oscilloscope traces with Moseley X-Y plotters. As such, the vertical and horizontal oscilloscope amplifiers could replace the transducer amplifiers shown in Figures 1, 2, and 3. In many oscilloscopes the sweep and sync remain operative and are simply disconnected from the horizontal deflection plates when the horizontal amplifier is being used for an external X input signal. This leads to Figure 4 which provides the same capabilities as Figure 3 but requires an oscilloscope modification (discussed under Oscilloscopes). The advantage here is that a slight modification (usually no more than a switch that shorts or opens 2 places in the oscilloscope circuit) usually eliminates the need for transducer amplifiers and thus saves equipment.

#### TRANSDUCER AMPLIFICATION METHODS

In each of the previous setups the transducer amplifier characteristics necessary for good performance were not mentioned. Here again, several connection variations exist. Without modification the 101 operates best if the input signals are in the following range:

X	55 to 100 volts Peak to Peak
Y	26 to 60 volts Peak to Peak

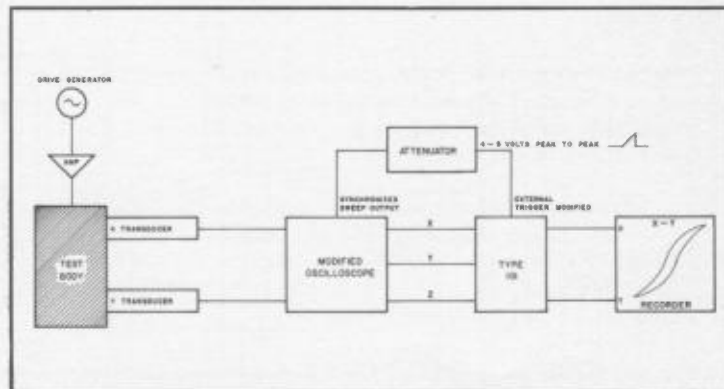


FIGURE 4. TRIGGER AND AMPLIFICATION VIA OSCILLOSCOPE

This means if one of the first three setups is being used, the amplifiers should put the signal in this range. If the signal is larger, the 101 will clip; if smaller, noise from the 101 will appear.

A method of operating with a lower voltage level is by shorting out the attenuator resistors in the 101 oscilloscope probe (R-201 and R-202). The 101 input will then only require 2 to 5 volts Peak to Peak.

This has the disadvantage of lowering the input impedance of the 101 to approximately 20K. The output impedance of the transducer amplifier must then be less than 200 ohms to prevent the lowering of the 1% system accuracy. Depending on the application the H-P Models 450A, 466A, 465A, and 467A are all possibilities for the transducer amplifier.

**CAUTION:** Shorting the probe leaves the 101 circuitry without protection. Do not hook the modified probe to the oscilloscope plates without first checking the voltages.

#### 101 EXTERNAL TRIGGER MODIFICATION FOR AUTOMATIC PLOTTING

The modification to the Moseley 101 necessary for the set-up shown in Figures 3 and 4 is indicated in red on D-18319. The indicated sawtooth switch is optional. For a permanent X-Y setup the switch is unnecessary but if the 101 is also to be used for Y-T recording the switch will return the recorder to an unmodified state. The resistors shown are Not those of the attenuator shown in Figure 3 and 4. The resistors establish a D. C. bias to insure sampling of the complete trace.

The required components for modification are:

COMPONENTS	P/N
6mf/12 volt Capacitor	0180-0340
18K 5% 1/2 watt Resistor	0686-1835
43K 5% 1/2 watt Resistor	0686-4335
Slide Switch (optional)	3101-0011

All components for the 101 modification can easily be added to the bottom of the 101. The vacant pin "D" on each printed circuit connector provides convenient tie points.

The optional switch can be mounted on the rear panel. For convenience the strobe polarity switch on the rear panel could be utilized for this function since this feature is not essential.

NOTE: The function of the strobe is to indicate on the oscilloscope face the point of the waveform being sampled. The strobe polarity switch determines whether the trace is either brightened or blanked on the oscilloscope face.

The wires can be removed from the strobe polarity switch and deadened or shorted to give permanent brightening or blanking of the strobe. The switch can then be used as the optional external sawtooth switch.

CAUTION: The attenuator shown in Figures 3 and 4 is very important for protecting the 101 circuitry. It should reduce the sawtooth voltage to 4 or 5 volts peak to peak. The design of the attenuator depends upon the oscilloscope and is left up to the operator.

#### OSCILLOSCOPE MODIFICATION

In all the setups, oscilloscope amplifiers can be used to amplify the transducer signals. The Hewlett-Packard 130C oscilloscope can be purchased with rear deflection plate terminals that easily connect to the Moseley 101. The model number to order is C41-130C. When connecting the 101 oscilloscope probe to the deflection plates, disconnect the Z axis shorting strap on the back of the oscilloscope case. A partial list of oscilloscopes and the methods of connecting to their deflection plates when used as amplifiers only, is attached.

If you desire to use the oscilloscopes both as a transducer amplifier and to obtain a synchronized sweep as in Figure 4, then actual oscilloscope modifications rather than just connections must be made. For this setup the oscilloscope must be equipped with a separate horizontal attenuator and sweep rate control (Example Model 130C). Usually two oscilloscope circuits must be modified.

1. Normally when the oscilloscope is used in the X-Y mode, power is removed from several tube plates in the sweep circuit. This voltage must be reapplied to obtain the sawtooth required by the Moseley 101.
2. Starting the sweep will activate the blanking circuit since we are making a continuous trace the blanking circuit must be disabled. Usually nothing more is required that removing power from the blanking tube circuit.

The mounting of a double pole, single throw switch on the oscilloscope to perform the appropriate switching for the sweep and blanking circuits is probably desirable. Note that even though the sweep rate switch will not control the oscilloscope picture,

the length of the sweep sawtooth wave will determine the area of the hysteresis curve to be sampled. The sweep rate should be adjusted to allow the complete curve to be sampled once. This can easily be set by turning the manual sweep control on the 101 and watching the strobe move on the oscilloscope face and then adjusting the sweep rate on the oscilloscope. Information on this modification for some oscilloscopes is available. Step by step modification procedures are not available.

#### MERITS OF THE VARIOUS SETUPS

Many connection techniques are available with variations existing mainly between the quantity of equipment required and the ease of setting it up. For permanent installations Figure 4 is best because of the minimum amount of equipment involved. For a temporary setup such as a demonstration, Figure 2 with an oscilloscope as the transducer amplifier is easiest to achieve since no modifications are required.

Many combinations of equipment not mentioned here could be used. In Figure 3 a Model 3300A oscillator could replace the drive generator and oscilloscope. A triangle (not sawtooth) generator at one half the drive generator frequency (to obtain the same duration of a positive going ramp function) could be used to simultaneously drive the modified Moseley 101 and the external sync input of the Model 3300A. Thus, numerous combinations of equipment can meet a wide variation of system requirements.

# HEWLETT - PACKARD SALES AND SERVICE OFFICES in the United States and Canada

## ALABAMA

**Huntsville, 35802**  
2003 Byrd Spring Rd. S.W.  
(205) 881-4591  
TWX: 510-579-2204

## ALASKA

**Bellevue, Wash. 98004**  
11656 N.E. 8th Street  
(206) 454-3971  
TWX: 910-443-2303

## ARIZONA

**Scottsdale, 85251**  
3009 No. Scottsdale Rd.  
(602) 945-7601  
TWX: 602-949-0111

**Tucson, 85716**  
232 So. Tucson Blvd.  
(602) 623-2564  
TWX: 602-792-2759

## CALIFORNIA

**North Hollywood, 91604**  
3939 Lankershim Blvd.  
(213) 877-1282 and 766-3811  
TWX: 910-499-2170

**Sacramento, 95821**  
2591 Carlsbad Ave.  
(916) 482-1463  
TWX: 916-444-8683

**San Diego, 92106**  
1055 Shafter Street  
(714) 223-8103  
TWX: 714-276-4263

**Palo Alto, 94303**  
1101 Embarcadero Rd.  
(415) 327-6500  
TWX: 910-373-1280

## COLORADO

**Englewood, 80110**  
7965 East Prentice  
(303) 771-3455  
TWX: 303-771-3056

## CONNECTICUT

**Middletown, 06458**  
589 Saybrook Rd.  
(203) 346-6611  
TWX: 710-428-2036

## FLORIDA

**Miami, 33125**  
2907 Northwest 7th St.  
(305) 635-6461

**Orlando, 32803**  
621 Commonwealth Ave.  
(305) 425-5541  
TWX: 305-275-1234

**St. Petersburg, 33708**  
410-150th Ave., Madeira Beach  
(813) 391-0211  
TWX: 813-391-0666

## GEORGIA

**Atlanta, 30305**  
3110 Maple Drive, N.E.  
(404) 233-1141  
TWX: 810-751-3283

## HAWAII

**North Hollywood, Calif. 91604**  
3939 Lankershim Blvd.  
(213) 877-1282 and 766-3811  
TWX: 910-499-2170

## ILLINOIS

**Skokie, 60078**  
5500 Howard Street  
(312) 677-0400  
TWX: 910-223-3613

## INDIANA

**Indianapolis, 46205**  
3919 Meadows Dr.  
(317) 546-4891  
TWX: 317-635-4300

## LOUISIANA

**New Orleans**  
(504) 522-4359

## MARYLAND

**Baltimore, 21207**  
6660 Security Blvd.  
(301) 944-5400

**Rockville, 20852**  
12303 Twinbrook Pkwy.  
(301) 427-7560  
TWX: 710-828-9684

## MASSACHUSETTS

**Burlington, 01804**  
Middlesex Turnpike  
(617) 272-9000  
TWX: 710-332-0382

## MICHIGAN

**Southfield, 48076**  
24315 Northwestern Hwy.  
(313) 353-9100  
TWX: 313-357-4425

## MINNESOTA

**St. Paul, 55114**  
2459 University Ave.  
(612) 646-7881  
TWX: 910-563-3734

## MISSOURI

**Kansas City, 64131**  
7916 Paseo Street  
(816) 444-9494  
TWX: 816-556-2423

**St. Louis, 63144**  
2814 South Brentwood Blvd.  
(314) 647-4350  
TWX: 314-962-3933

## NEW JERSEY

**Eatontown**  
(201) 542-0852

**Englewood, 07631**  
391 Grand Avenue  
(201) 567-3933

## NEW MEXICO

**Albuquerque, 87108**  
6501 Lomas Blvd., N.E.  
(505) 255-5586  
TWX: 910-989-1655

**Las Cruces, 88001**  
114 S. Water Street  
(505) 526-2486  
TWX: 505-524-2671

## NEW YORK

**New York, 10021**  
236 East 75th Street  
(212) 879-2023  
TWX: 710-581-4376

**Rochester, 14623**  
39 Saginaw Drive  
(716) 473-9500  
TWX: 510-253-5981

**Poughkeepsie, 12601**  
82 Washington Street  
(914) 454-7330  
TWX: 914-452-7425

**Syracuse, 13211**  
5858 East Molloy Rd.  
(315) 454-2486  
TWX: 710-541-0482

**Endicott, 13764**  
1219 Campville Rd.  
(607) 754-0050  
TWX: 510-252-0890

## NORTH CAROLINA

**High Point, 27262**  
1923 N. Main Street  
(919) 882-6873  
TWX: 510-926-1516

## OHIO

**Cleveland, 44129**  
5579 Pearl Road  
(216) 884-9209  
TWX: 216-888-0715

**Dayton, 45409**  
1250 W. Dorothy Lane  
(513) 298-0351  
TWX: 513-944-0090

## OKLAHOMA

**Oklahoma City**  
(405) 235-7062

## PENNSYLVANIA

**Camp Hill**  
(717) 737-6791

**West Conshohocken, 19428**  
144 Elizabeth Street  
(215) 248-1600 and 828-6200  
TWX: 215-828-3847

**Monroeville, 15146**  
2545 Moss Side Blvd.  
(412) 271-5227  
TWX: 710-797-3650

## TEXAS

**Dallas, 75209**  
P.O. Box 7166, 3605 Inwood Rd.  
(214) 357-1881 and 332-6667  
TWX: 910-861-4081

**Houston, 77027**  
P.O. Box 22813, 4242 Richmond Ave  
(713) 667-2407  
TWX: 713-571-1353

## UTAH

**Salt Lake City, 84115**  
1482 Major St.  
(801) 486-8166  
TWX: 801-521-2604

## VIRGINIA

**Richmond, 23230**  
2112 Spencer Road  
(703) 282-5451  
TWX: 710-956-0157

## WASHINGTON

**Bellevue, 98004**  
11656 N. E. 8th St.  
(206) 454-3971  
TWX: 910-443-2303

## GOVERNMENT CONTRACTING OFFICES

**Middletown, Pa. 17057**  
Hewlett-Packard  
Contract Marketing Division  
Olmsted Plaza  
(717) 944-7401  
TWX: 717-760-4816

**West Conshohocken, Pa. 19428**  
Hewlett-Packard  
Contract Marketing Division  
144 Elizabeth Street  
(215) 753-1811  
TWX: 215-820-3847

## CANADA

**Montreal, Quebec**  
Hewlett-Packard (Canada) Ltd.  
8270 Mayrand Street  
(514) 735-2273  
TWX: 610-421-3484

**Ottawa, Ontario**  
Hewlett-Packard (Canada) Ltd.  
1762 Carling Avenue  
(613) 722-4223  
TWX: 610-562-1952

**Toronto, Ontario**  
Hewlett-Packard (Canada) Ltd.  
1415 Lawrence Avenue West  
(416) 249-9196  
TWX: 610-492-2382

**Vancouver, B.C.**  
Hewlett-Packard (Canada) Ltd.  
2184 W. Broadway  
(604) 738-7520  
TWX: 610-922-5059

# HEWLETT - PACKARD INTERNATIONAL OFFICES

## Electronic Instrument Sales and Service

### ARGENTINA

Mauricio A. Saurez  
Telecomunicaciones  
Carlos Calvo 224, Buenos Aires  
Tel: 30-6312

### AUSTRALIA

Sample Electronics (Vic.) Pty. Ltd.  
9-11 Cremorne Street  
Richmond E. 1, Victoria  
Tel: 42-4757 (3 lines)  
Sample Electronics (N.S.W.) Pty. Ltd.  
4 Grose Street, Glebe, N.S.W.  
Tel: 69-6338 (6 lines)

### AUSTRIA

UNILABOR H.m.b.H.  
Wissenschaftliche Instrumente  
Rummelhardtgasse 6/3  
P.O. Box 33, Vienna IX/71  
Tel: 42 61 81

### BELGIUM

Hewlett-Packard Benelux  
20-24 Rue de l'Hopital, Brussels 1  
Tel: 11.22.20

### BRAZIL

Ciental Importacao e Comercio Ltda.  
R. Des Eliseu Guilherme, 62  
Sao Paulo 6  
Tel: 32-4332

### CHILE

Hector Calcagni  
Casilla 13942, Santiago  
Tel: 6.42.26

### COLOMBIA

Instrumentacion Henrik A. Langebeck  
& Cia. Ltda.  
Apartado Aereo 6287  
Bogota 1, D.E.  
Tel: 45-78-06  
Cable: AARIS - Bogota

### DENMARK

Tage Olsen A/S  
Ronnegade 1, Copenhagen 0  
Tel: 29.48.00

### FINLAND

INTO O/Y  
P.O. Box 153  
11 Meritullinkatu, Helsinki  
Tel: 6.11.33

### FRANCE

Hewlett-Packard France  
150 Blvd. Massena, Paris 13e  
Tel: 707.97.19

### GERMANY

Hewlett-Packard VgmbH  
Steindamm 35, Hamburg 1  
Tel: 24.05.51

Hewlett-Packard VgmbH  
Kurfurstenstrasse 95  
Frankfurt a. Main  
Tel: 52.00.36

Hewlett-Packard VgmbH  
Reginfriedstrasse 13  
Munich 9  
Tel: 49.51.21/2

Hewlett-Packard VgmbH  
Technisches Buro  
Herrenbergerstrasse 110  
703 Boblingen, Wurttemberg  
Tel: 6971

Hewlett-Packard VgmbH  
Lietzenburger Strasse 30  
1000 Berlin 30  
Tel: 24 92 71

### GREECE

K. Karayannis  
Klaffmonos Square, Athens 124  
Tel: 230.301

### INDIA

The Scientific Instrument Company, Ld.  
6, Tej Bahadur Sapru Road, Allahabad 1  
Tel: 2451

The Scientific Instrument Company, Ld.  
240, Dr. Dadabhai Naoroji Rd., Bombay 1  
Tel: 26-2642

The Scientific Instrument Company, Ld.  
11, Espianade East, Calcutta 1  
Tel: 23-4129

The Scientific Instrument Company, Ld.  
30, Mount Road, Madras 2  
Tel: 86339

The Scientific Instrument Company, Ld.  
B-7, Ajmeri Gate Extn., New Delhi 1  
Tel: 271053

### IRAN

Telecom Ltd.  
P.O. Box 1812, Tehran  
Tel: 43850

### ISRAEL

Electronics & Engineering Ltd.  
16 Kremenetski St., Tel Aviv  
Tel: 35021-2-3

### ITALY

Hewlett-Packard Italiana S.p.A.  
Viale Lunigiana 46, Milan  
Tel: 69.15.84/5/6

Hewlett-Packard Italiana S.p.A.  
Palazzo Italia  
Piazza Marconi, 25, Roma-Eur  
Tel: 59.12.544/5

### JAPAN

Yokogawa-Hewlett-Packard Ltd.  
2270 Ishikawa-cho  
Hachioji, Tokyo  
Tel: Hachioji 0426-3-1231 (19 lines)

Yokogawa-Hewlett-Packard Ltd.  
No. 3, 6-chome, Aoyama-Kitamachi  
Akasaka, Minato-ku, Tokyo  
Tel: 403-6511

Yokogawa-Hewlett-Packard Ltd.  
No. 8, Umeda, Kita-ku, Osaka  
Tel: 313-0091

Yokogawa-Hewlett-Packard Ltd.  
No. 4, 3-chome, Himeikedori,  
Chigusa-ku, Nagoya  
Tel: 751-8545

### KOREA

American Trading Company, Korea, Ltd.  
112-35 Sokong-Dong, Jung-ku  
Seoul P.O. Box 1103, Seoul  
Tel: 3-7049, 3-7613

### NETHERLANDS

Hewlett-Packard Benelux N.V.  
23 Burg Roelstraat, Amsterdam W.  
Tel: (020) 13.28.98 and 13.54.99

### NEW ZEALAND

Sample Electronics (N. Z.) Ltd.  
8 Matipo Street  
Onehunga S. E. 5, Auckland  
Tel: 565-361

### NORWAY

Morgenstjerne & Co. A/S  
Ingeniorfirma  
6 Wessels Gate, Oslo  
Tel: 20 16 35

### PANAMA

Electronico Balboa, S.A.  
P.O. Box 4929  
Panama City 5, Panama  
Tel: 3-0833

### PERU

Fernando Ezeta B.  
Casilla 3061  
Lima  
Tel: 78745

### PORTUGAL

TELECTRA  
Rua Rodrigo da Fonseca 103  
P.O. Box 2531, Lisbon 1  
Tel: 68 60 72 and 68 60 73 and 68 60 74

### PUERTO RICO & VIRGIN ISLANDS

San Juan Electronics, Inc.  
150 Ponce de Leon, Stop 3  
P.O. Box 5167  
Pta. de Tierra Sta., San Juan 00906  
Tel: 725-3342, 724-4406

### SPAIN

ATAIO, Ingenieros  
Enrique Larreta 12, Madrid 6  
Tel: 235.43.44 and 235.43.45

### SOUTH AFRICA

F. H. Flanter & Co. (Pty.), Ltd.  
Rosella House  
Buitencingle Street, Cape Town  
Tel: 3-3817

### SWEDEN

H-P Instrument AB  
Centralvagen 28, Solna, Centrum  
Tel: 83.08.30  
H-P Instrument AB  
Idunagatan 28A  
Goteborg  
Tel: 27 68 00 and 27 68 01

### SWITZERLAND

Max Paul Frey  
Wankdorfstrasse 66, Berne  
Tel: (031) 42.00.78

### TAIWAN (FORMOSA)

Hwa Sheng Electronic Co., Ltd.  
21 Nanking West Road, Taipei  
Tel: 4 6076, 4 5936

### TURKEY

TELEKOM Engineering Bureau  
P.O. Box 376—Galata, Istanbul  
Tel: 49.40.40

### UNITED KINGDOM

Hewlett-Packard Ltd.  
Dallas Rd., Bedford, England  
Tel: Bedford 68052

### VENEZUELA

Citec, C. A.  
Edif. Arisan-Of #4  
Avda. Francisco de Miranda-Chacaito  
Apartado del Este 10.837, Caracas  
Tel: 71 88.05

### YUGOSLAVIA

Belram S.A.  
83 Avenue des Mimosas  
Brussels 15, Belgium  
Tel: 35.29.58

### For Sales and Service Assistance in Areas Not Listed Contact:

#### IN EUROPE

Hewlett-Packard, S. A.  
54 Route des Acacias  
Geneva, Switzerland  
Telephone: (022) 42.81.50  
Telex: 2.24 86  
Cable: HEWPACKSA

#### IN LATIN AMERICA

Hewlett-Packard Inter-Americas  
1501 Page Mill Road  
Palo Alto, California 94304, U.S.A.  
Telephone: (415) 326-7000  
TWX: 910-373-1267  
Telex: 033811 Cable: HEWPACK

#### ELSEWHERE

Hewlett-Packard  
Overseas Sales Department  
1501 Page Mill Road  
Palo Alto, California 94304, U.S.A.  
Telephone: (415) 326-7000  
TWX: 910-373-1267  
Telex: 033811 Cable: HEWPACK

