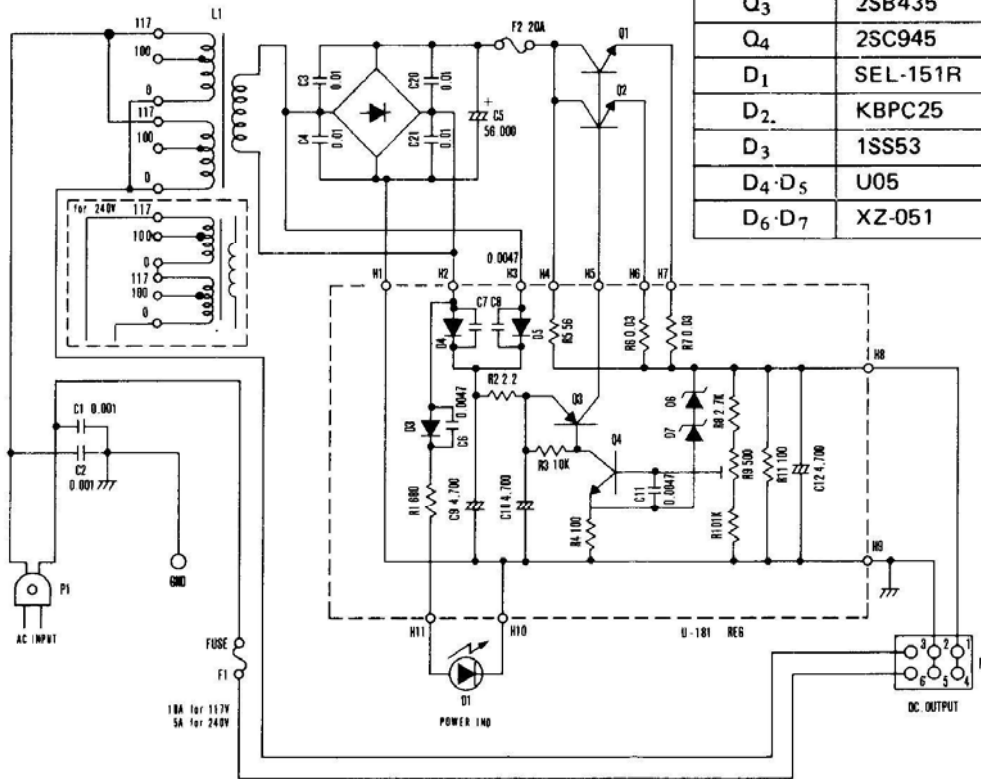


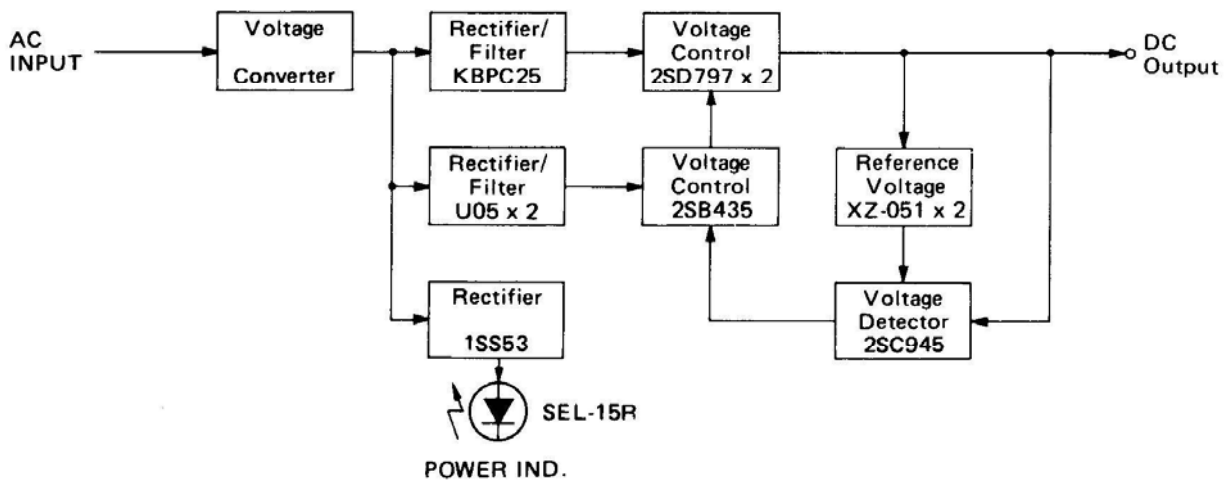
SCHEMATIC DIAGRAM

COMPONENTS USED IN POWER CIRCUIT

PART No.	Type	Operation
Q ₁ ·Q ₂	2SD797	Voltage Control
Q ₃	2SB435	Voltage Control
Q ₄	2SC945	Voltage Detector
D ₁	SEL-151R	Power IND.
D ₂	KBPC25	Rectifier/Filter
D ₃	1SS53	Rectifier
D ₄ ·D ₅	U05	Rectifier/Filter
D ₆ ·D ₇	XZ-051	Reference Voltage



BLOCK DIAGRAM



ICOM INCORPORATED

1-6-19, KAMI KURATSUKURI, HIRANO-KU,
OSAKA JAPAN