

## DESKTOP MICROPHONE **AM-508E** ( WITH COMPRESSOR )

### \* HIGH-QUALITY COMPRESSOR AMP. BUILT-IN

Capable of sending our constant voice level regardless of voice, whispering, loud, etc.

### \* PROVIDED WITH HIGH-SENSITIVITY ELECTRET CONDENSER MICROPHONE

The Electret Condenser Microphone ensure the better voice quality

### \* PROVIDED WITH FM/SSB AUDIO QUALITY SELECTOR SWITCH

### \* PROVIDED WITH ELECTRONIC SWITCHES

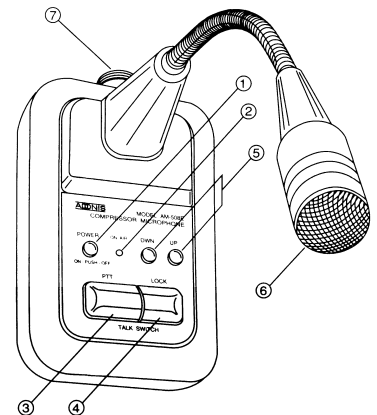
### SPECIFICATIONS :

•Microphone	: Electret Condenser Microphone		
•IC	: 1 piece		
•Transistor	: 16 pieces		
•Diode	: 6 pieces		
•Output Voltage	: 0-30mV(RMS)		
•Power Consumption	: 2mA(RX) 3mA(TX)	•Dimensions (mm)	: 100(W)x155(D)x310(H)
•Output Impedance	: 500 – 100k ohms	•Weight	: 450g
•Compressor Level	: 45dB(HIGH) 10dB(Low)	•Power Source	: UM3 x 2



### CONTROLS :

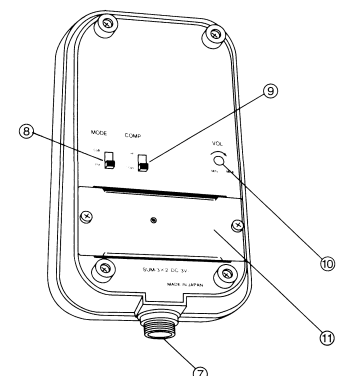
- ① POWER SWITCH : Push it for power "ON", then, the "ON AIR" indicator ② start to flash. Push it again for the power "OFF".
- ② ON AIR INDICATOR (LED TX INDICATOR) : Set the power switch to "ON" then LED② flashes to indicate the receiving condition. The LED② lights up continuously when transmitting.
- ③ PTT SWITCH : Use it for short time QSO. Push it for TX and release for RX. Also use it for releasing of "LOCK" switch.
- ④ LOCK SWITCH : Use it for long time QSO. When pushing, the LED "ON AIR" indicator lights up continuously. For receiving, push the PTT Switch③.
- ⑤ UP/DOWN SWITCHES : Use these switches for frequency UP and DOWN. For details, please refer to the manual of transceiver.
- ⑥ Electret Condenser Mic. : The high-sensitivity electret condenser microphone is applied for clear and better voice quality.



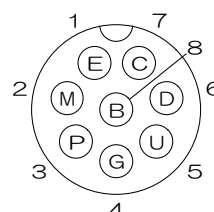
### ⑦ MIC. OUTPUT CONNECTOR (8P ADONIS TYPE)

Please use the suitable interconnecting cable separately available.

### The Pin Connection of Microphone Output Connector (ADONIS type)



- ① E : MIC.EARTH
- ② M : MIC
- ③ P : PRESS TO TALK
- ④ G : PRESS TO TALK (EARTH)
- ⑤ U : UP
- ⑥ D : DOWN
- ⑦ C : U/D COMMON
- ⑧ B : DC FEEDING (DIRECT CURRENT)



(VIEWED FROM TERMINAL PIN SIDE)

- ⑧ FM/SSB VOICE QUALITY SELECTOR SWITCH : The selector switch for microphone output audio quality. When FM mode operation, it produces clear voice quality with wide frequency characteristics and when in SSB mode operation, it produces sharp and clips voice quality for effective DX'ing.
- ⑨ OUTPUT ADJUSTING VOLUME : This is the adjustment volume for output voltage. It is factory-adjusted to have 10mV RMS output voltage. When you need adjustment, turn the slot of variable resistor with a 3mm wide screw driver slowly and carefully. Turn it to clockwise for higher output.
- ⑩ BATTERY COVER : Remove the screws and put the 2 pieces of UM3 batteries into the space correctly. (The batteries are not provided with this microphone.) (Optional External Power Source) When you activate the microphone with external power source of 13.8V DC, please be sure to use "ADONIS" External Power Adaptor model PS-3 optionally available.

**CAUTIONS :**

- o Please be sure to use "ADONIS" Interconnection microphone cable optionally available .
- o When using a external power adaptor, please be sure to use our Model PS-3 External Power Adaptor optionally available.
- o Please be careful about high SWR of antenna and incomplete earthing, since it may cause the trouble of RF Feedback noise depending on coaxial cable layout .
- o Please turn the power switch "OFF" after QSO .
- o It is better to remove the batteries from microphone when you do not use the microphone over than 3 months .
- o Do not place this microphone near high temperature area or under direct sunlight .

**· THE LIST OF MICROPHONE INTERCONNECTING CABLES FOR RADIO AMATEUR TRANSCEIVERS :**

Maker	Number	Applicable Transceiver
ICOM	P-84T	IC-201A·232·551
	D-88i	IC-26·28·35·38·120·228·229·271·275·338·339·371·375·575·721S·723·726S·729·731·732·736·741·745·746·750·756·760PRO·775·780·820·821·900·901·910·970·1200·1201·1271·1275·2300·2310·2320·2330·2400·2410·2500·2600·7400
	D-8Mi	IC-207·281·381·681·706·2000·2340·2350·2700·2710·2800·3700
	P-8AP	IC-25·251·255·260·270A·290·351·370A·390·505·560·720A·730·740
YAESU	P-87Y	FT-230·290·690·730R·790R
	P-88Y	FT-ONE·77·102·280·655S·680·726·736X·747·757·767·780·840·850·1000·1011·1021
	D-88Y2	FT-211·212L·215·270·290mk2·690mk2·711·712L·715·770·790MK2·847·920·1000MP·2311·2312·2700R·4600·4700·4800·4900·5800·8500
	D-8MY	FT-900·2400·817
	D-6MY	FT-90·100·8000·8100
KENWOOD	P-84T	TS-120·130·180·520·530·700·770·820·830
	P-86K	TR-7700·8400·9000G·9030G·9300·9500G
	D-88K	TR-50·751·851·7900·7950、TW-4000·4100、TM-201·221·231·241·401·421·431·441·521·531·541·701·702·721G、TS-50·60·140·430·440·450·570·660·670·680·690·711·780·790·811·850·870·930·940·950·2000
	D-8MK	TM-251·255·261·451·455·461·643·732·733·741·742·833·841·842·941·942·2400·V7·G707·D700·V708
STANDARD	P-87S	C-58·78·88·1100·4100·4800·5800·7800·7900G·8800G·8900G
	P-88S	C-50·5000·5200·6000
	D-88S2	C-1200·4200·5600("UP/DOWN" operation is not available.)
	D-88S3	C-5700·5710·5720("UP/DOWN" operation is not available.)
	D-88S4	C-5720("UP/DOWN" operation is not available.)
	D-8MS	C-5750·5900
	D-6MY	C-700·7100
CIRFOLK	D-88C	DR-110·112·119·150·410·412·419·450·510·570·572·590·592·599·610S·M03·M06·M10·M40、DX-70、ALD-23·24、ALR-21·22·71·72
	D-8MC	DR-M50

**· THE OTHER TYPE OF INTERCONNECTING CABLES :**

D-80	Without 1 connector to be connected to transceiver
P-88A	With 8P connectors with "ADONIS" wiring.
P-88J3	3m Extension Cord

**ADONIS ELECTRONICS CORP.**