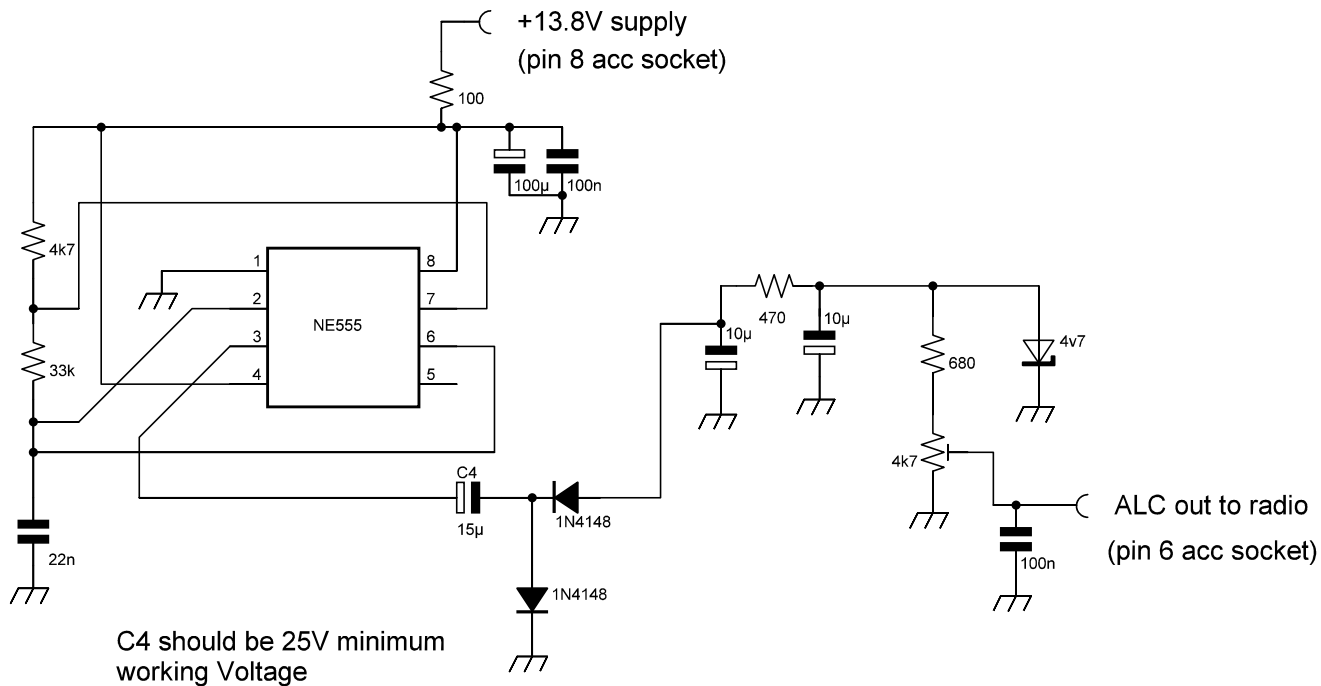


1

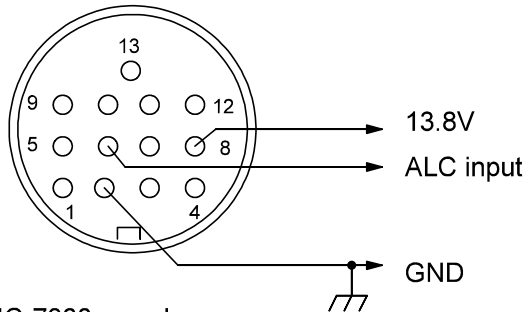
2

3

4



C4 should be 25V minimum working Voltage



IC-7300 acc plug view from solder side of plug

Modifications		Date	Name	Description	IC-7300	Page no.
Date	Name			ALC -ve Voltage generator		1 of 1
				Schematic no.		Pages
			D Johnson G4AON			1
						12 Jul 2