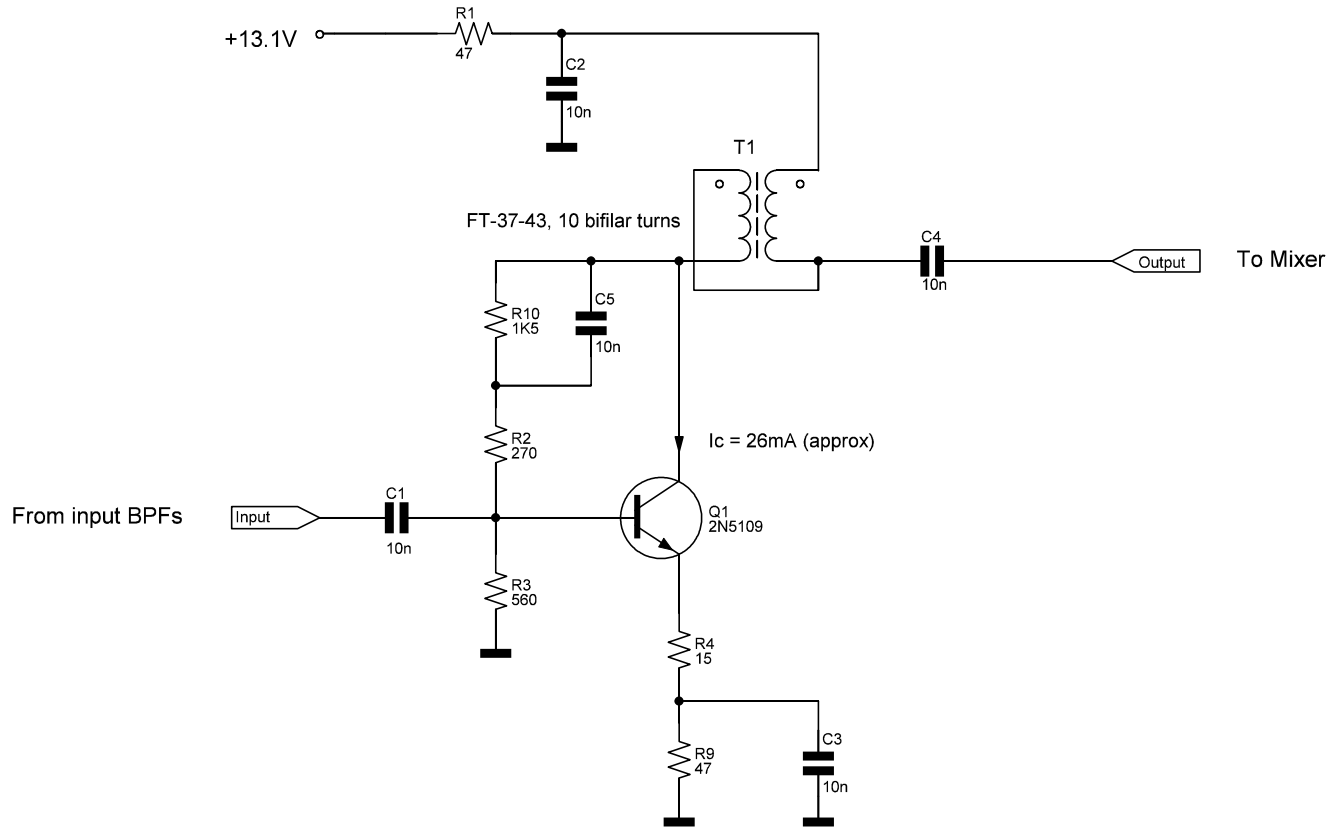


G4AON Universal Receiver Pre-Amp



Design Notes

- 1 Gain is 12dB.
- 2 Q1 requires a good heatsink to dissipate some 260mW.

Modifications		Date	Name	Description G4AON Universal Receiver Pre-Amp	Pages: 1
Date	Name				
09-Aug-2013	G4AON				Page no: 1
		Drawn by GM4EVS		Schematic no: AONRX_PRE001, version 1.2	Original Date 09-Apr-2013