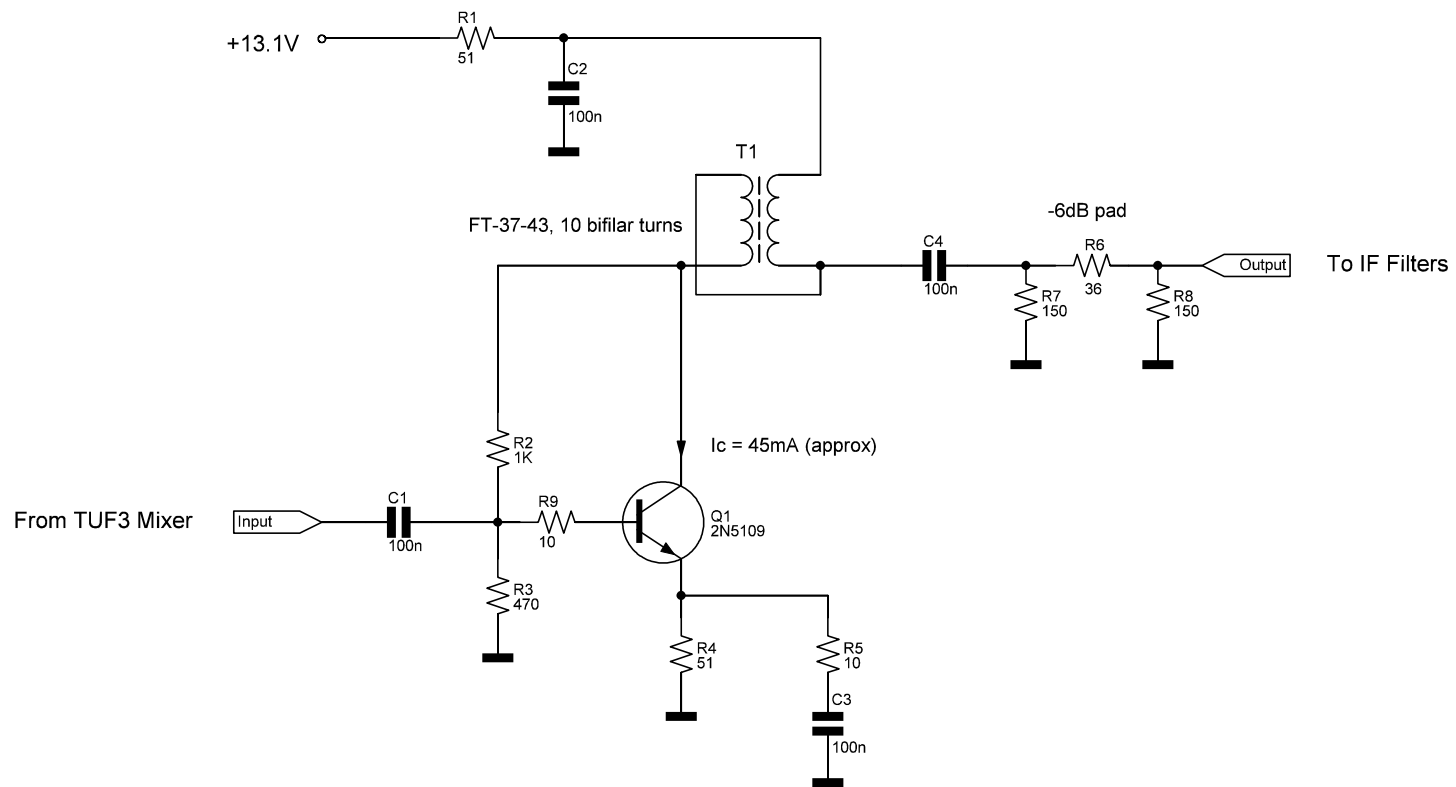


G4AON Universal Receiver Post-Mixer Amp



Design Notes

- 1 Based on EMRFD pg 6-37.
- 2 Q1 requires a good heatsink to dissipate some 400mW.

Modifications		Date	Name	Description G4AON Receiver Post-Mixer Amp	Page no.
Date	Name				
23-Feb-13	DJ				Pages 1
09-Aug-2013	G4AON	Drawn by: GM4EVS		Schematic no. AONRX_PMA001 version 1.2	Original date 23-Feb-2013