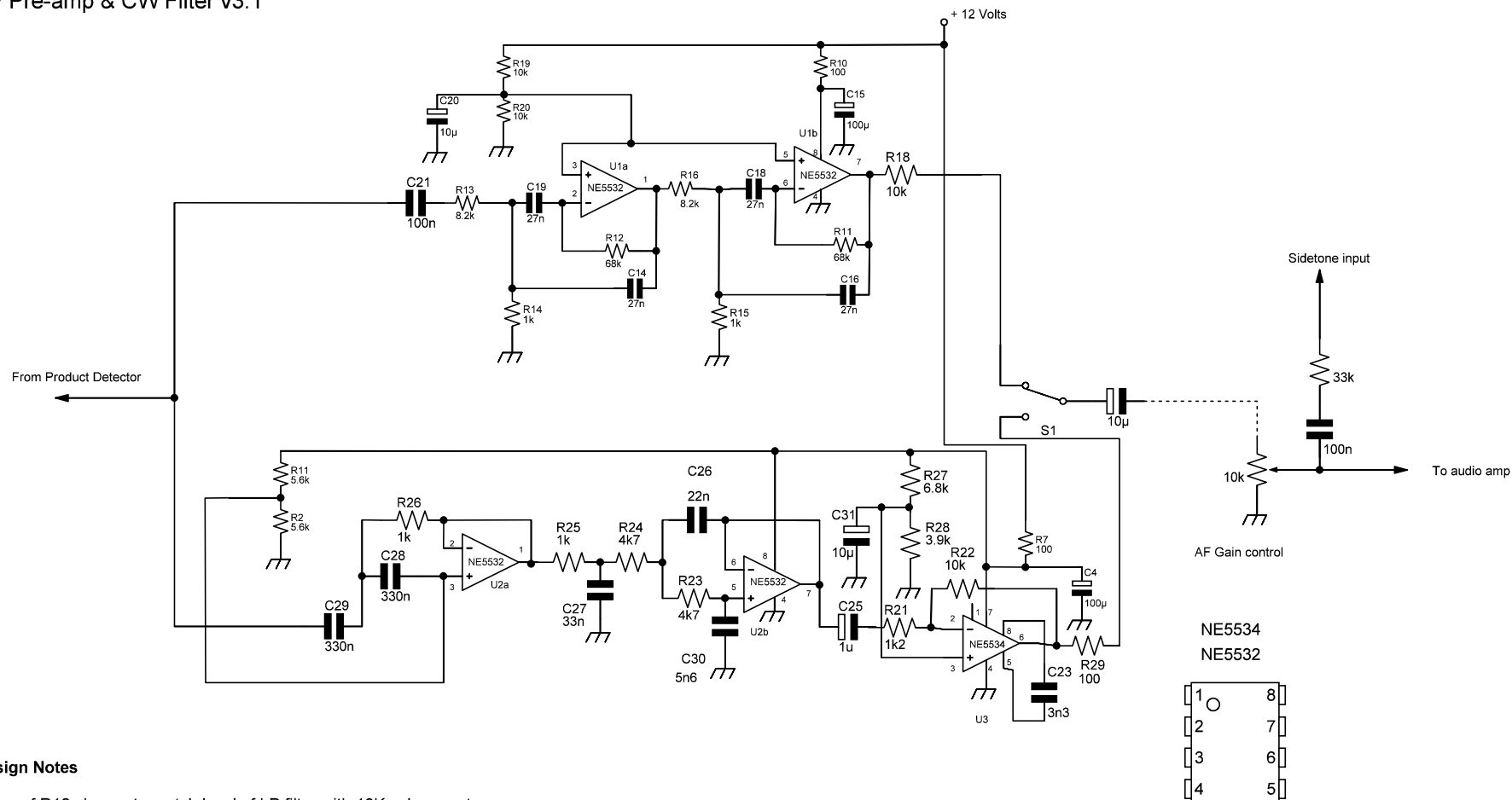


# G4AON Universal Receiver

## AF Pre-amp & CW Filter v3.1

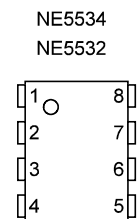


### Design Notes

Value of R18 chosen to match level of LP filter with 10K volume pot

Gain of both halves, 18 dB

No connection to pin 1 of U3



Modifications		Date	Name	Description	Pages: 1
Date	Name			G4AON Universal Receiver	
				AF Pre-amp & Filter	Page no: 1
		Drawn by <b>G4AON</b>		Schematic no: aonrx_afpre_SMD, version 3.1	Original Date 17-June-2014