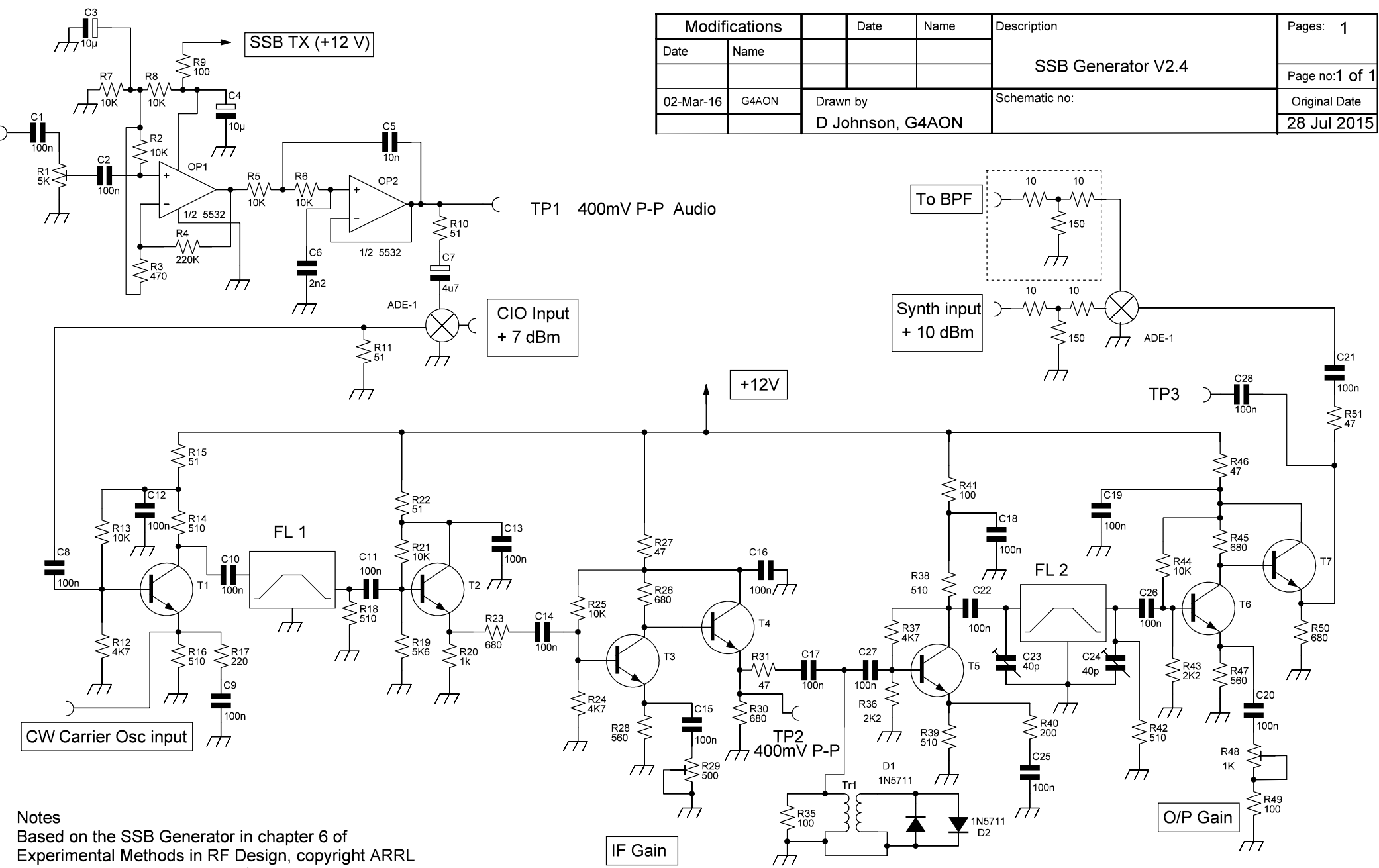


Modifications		Date	Name	Description	Pages: 1
Date	Name			SSB Generator V2.4	Page no:1 of 1
02-Mar-16	G4AON	Drawn by D Johnson, G4AON			Schematic no:



**Notes**  
 Based on the SSB Generator in chapter 6 of  
 Experimental Methods in RF Design, copyright ARRL  
 Reproduced with permission of ARRL

All transistors are 2N3904  
 Tr1, primary 3 turns, secondary 16 turns, on FT37-43 core  
 Attenuators shown in dotted outlines are off board  
 Filters are surplus 8.215 MHz 8 pole from Yaesu FT757 transceivers