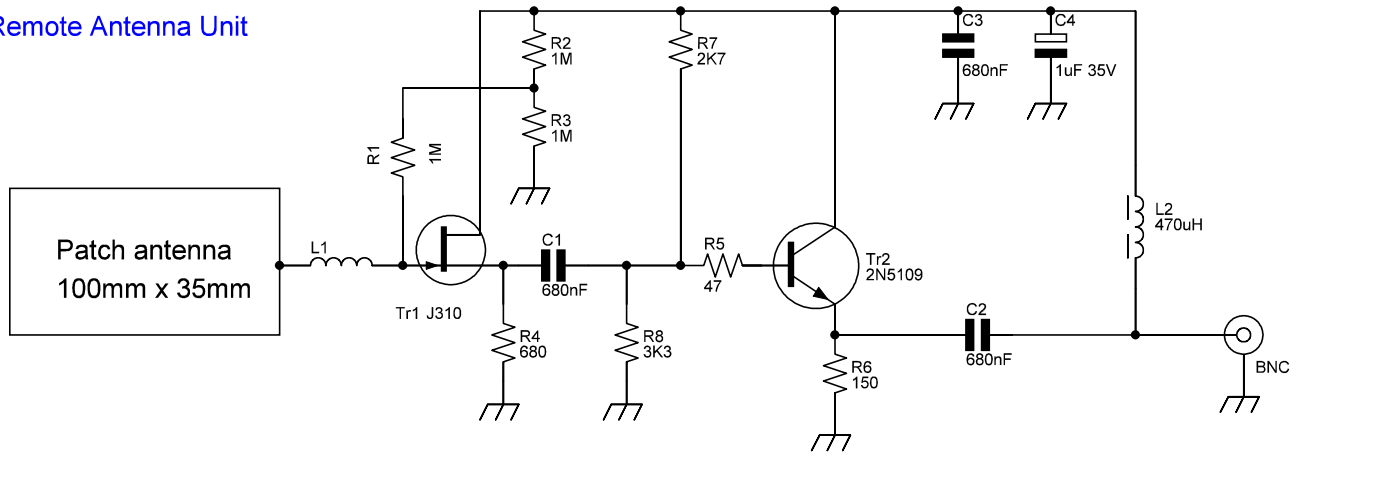


Remote Antenna Unit



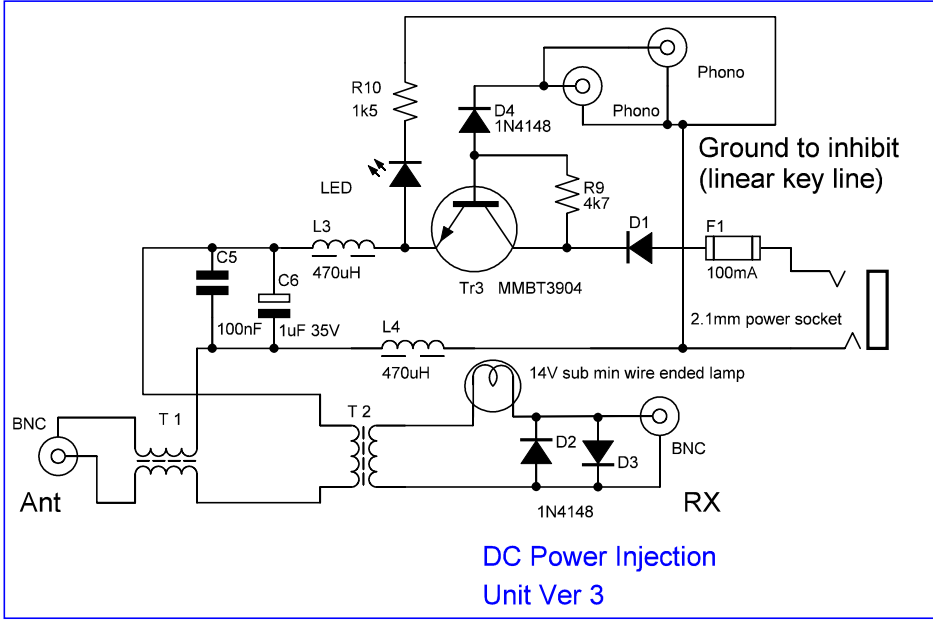
- L1 air cored, 2 turns 6mm diam, not critical
- T1, T2, 14 turns bifilar on FT50-43
- L2, L3, L4, 160mA rated, Murata 27474 (SMD part)
- F1, 60V, 100mA self resetting polyfuse
- D1, 1A 60V Schottky diode
- Tr2 fitted with heatsink

Values of R6, 7 and 8 adjusted from original to give more stable bias point

Supply 12~14 Volts at 50mA

Current drawn is approx 50 mA, use appropriate RF Chokes to avoid saturating their cores.

Build the DC injection circuit in a plastic box to isolate the sockets, the remote antenna unit will fit into 40mm plastic waste water pipe.



DC Power Injection Unit Ver 3

Modifications		Date	Name	Description	Pages:
Date	Name			PA0RDT Active Antenna Ver 3 with DC injection mods by G4AON	
21 Sep 17	GM4EVS				Page no:
Drawn by D Johnson, G4AON				Schematic no:	Original Date 25-Nov-2016