

A

B

C

D

E

F

G4AON SSB TX Low Pass Filters

Notes

Designs are from Elsie, using a topography of "Inductor input low pass" and 7th order Chebyshev.

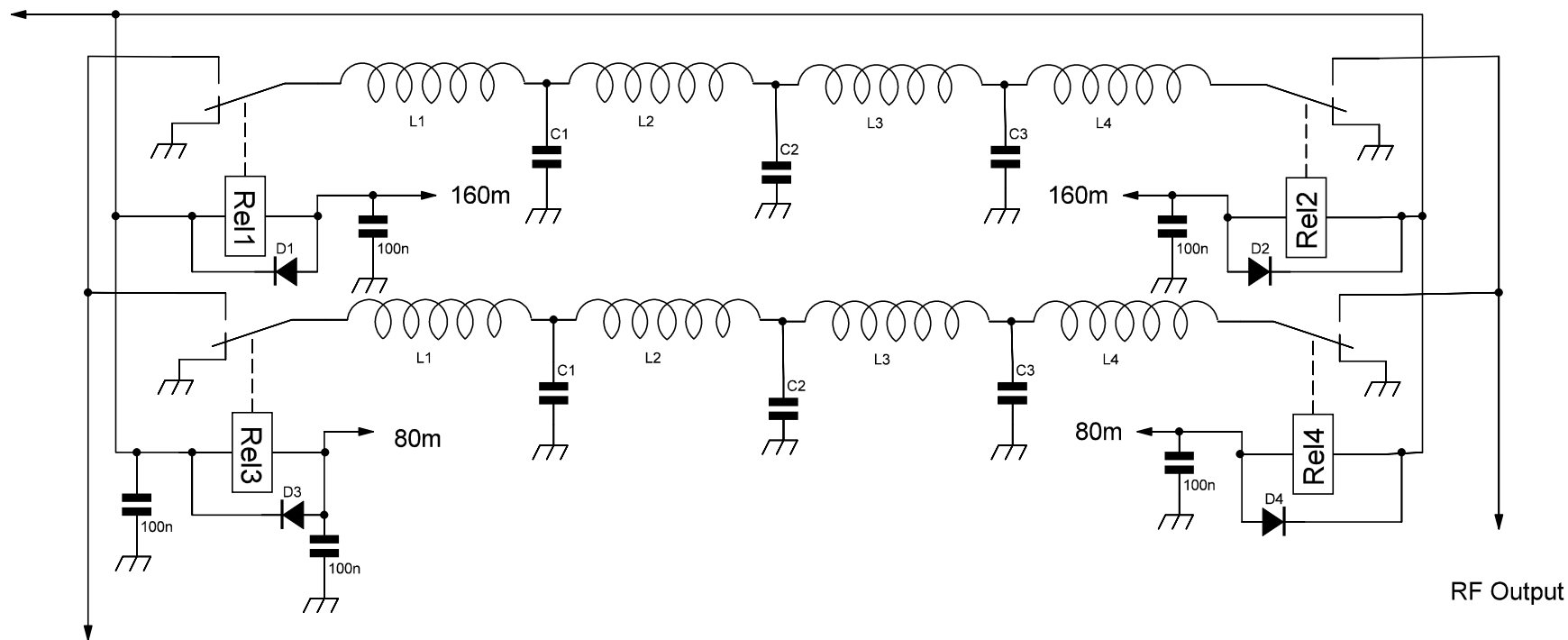
Shown are two bands, but 40 and 20 follow in the same manner.

The switching wires connecting "160m" to "160m" relay coils should be routed around the edge of the board to minimise stray coupling.

Relays are generic double pole signal relays. Diodes are 1N4148

Band	L1	C1	L2	C2	L3	C3	L4
160	5u2H	2000pF	8u6H	2200pF	8u6H	2000pF	5u2H
80	2u7H	1100pF	4u5H	1200pF	4u5H	1100pF	2u7H
40	1u3H	620pF	2u25H	680pF	2u25H	620pF	1u3H
20	0u6H	300pF	1u1H	330pF	1u1H	300pF	0u6H

+ 13 Volts



RF Input

RF Output

Modifications		Date	Name	Description	Page no.
Date	Name			G4AON SSB TX Low Pass Filters v1	1
					Pages 1
				Schematic no.	Date
					9 Oct 15