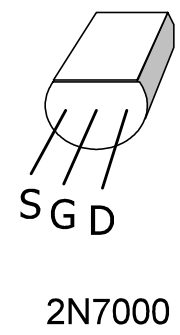
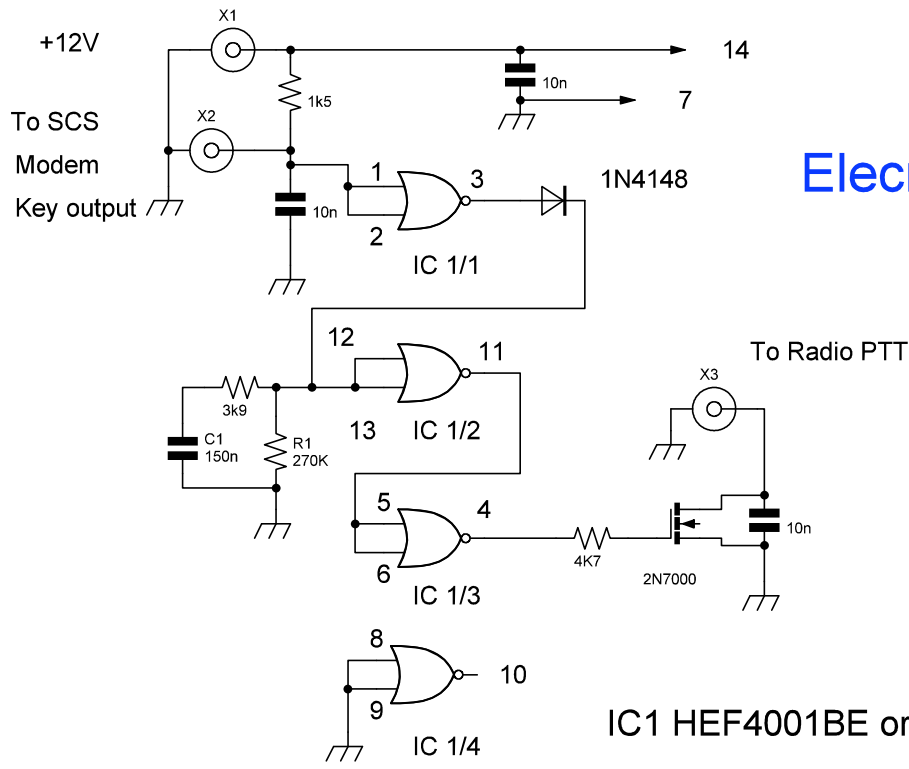


# Elecraft K4 to SCS modem interface



IC1 HEF4001BE or equivalent

Delay circuit to give an additional transmit PTT hold on to avoid truncating data transmissions on Amtor and Pactor with radios that do not allow for the latency of the DSP within the transmitter.

Components R1 and C1 are select on test, the values shown give approximately 18 mS delay at the end of PTT from the modem.

Company	Title	Number		
	K4 to SCS interface v2		Type	
Department	Created by	Date		
	D Johnson G4AON		7th April 2022	
Approved by	Scale			Page
				1