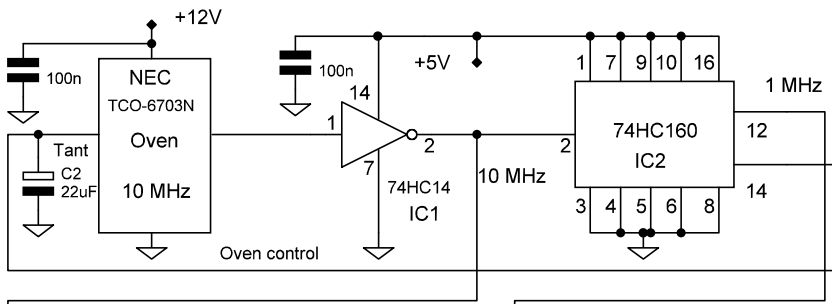
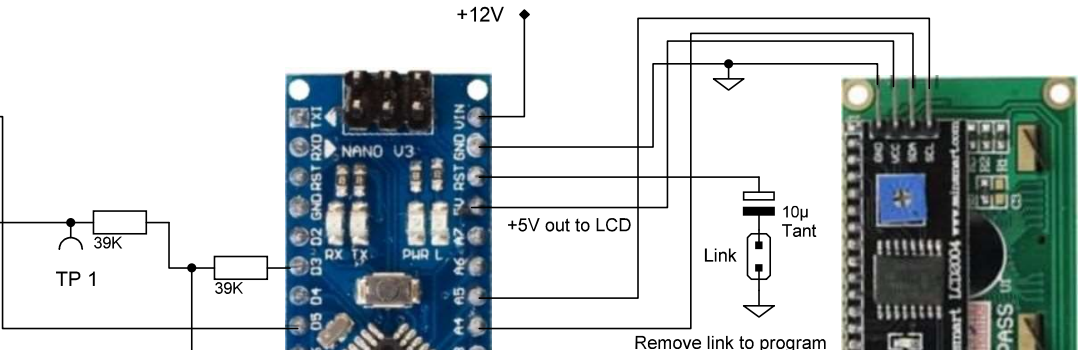


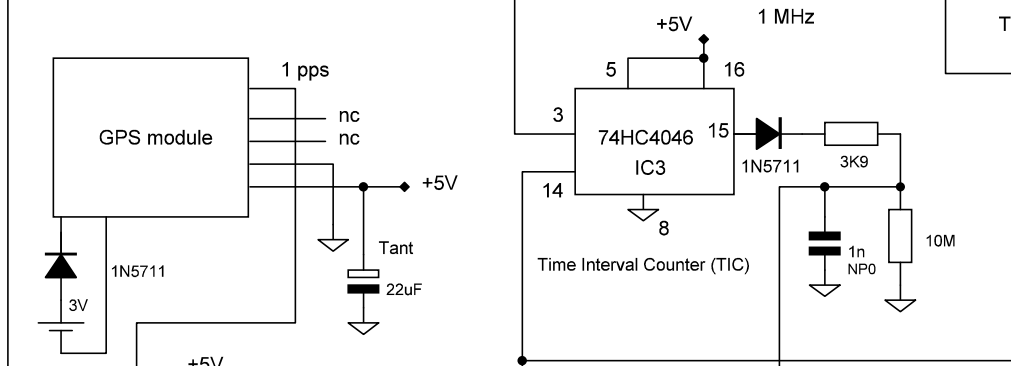
A



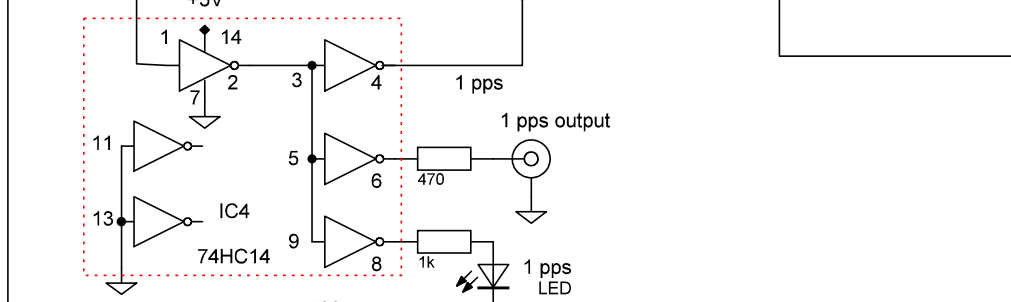
B



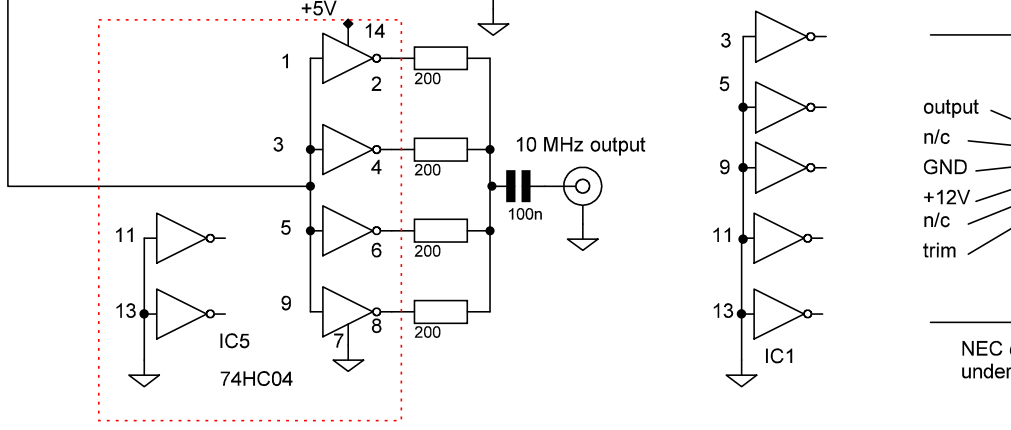
C



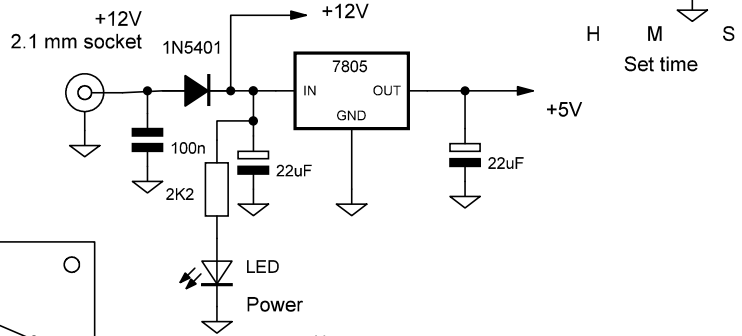
D



E



F



G

Notes  
 Supply to GPS module taken directly from 5V regulator  
 All IC supplies have a decoupling capacitor from 5V to ground at the IC, not shown here.

H

Company	Title	GPSDO Original design by Lars Walenius		Number
	Created by	D Johnson G4AON		Type
Department	Approved by			Date
				13 Oct 2023
		Scale		Page
				1

I

J



2 x 16 LCD display

Remove link to program

H M S  
Set time