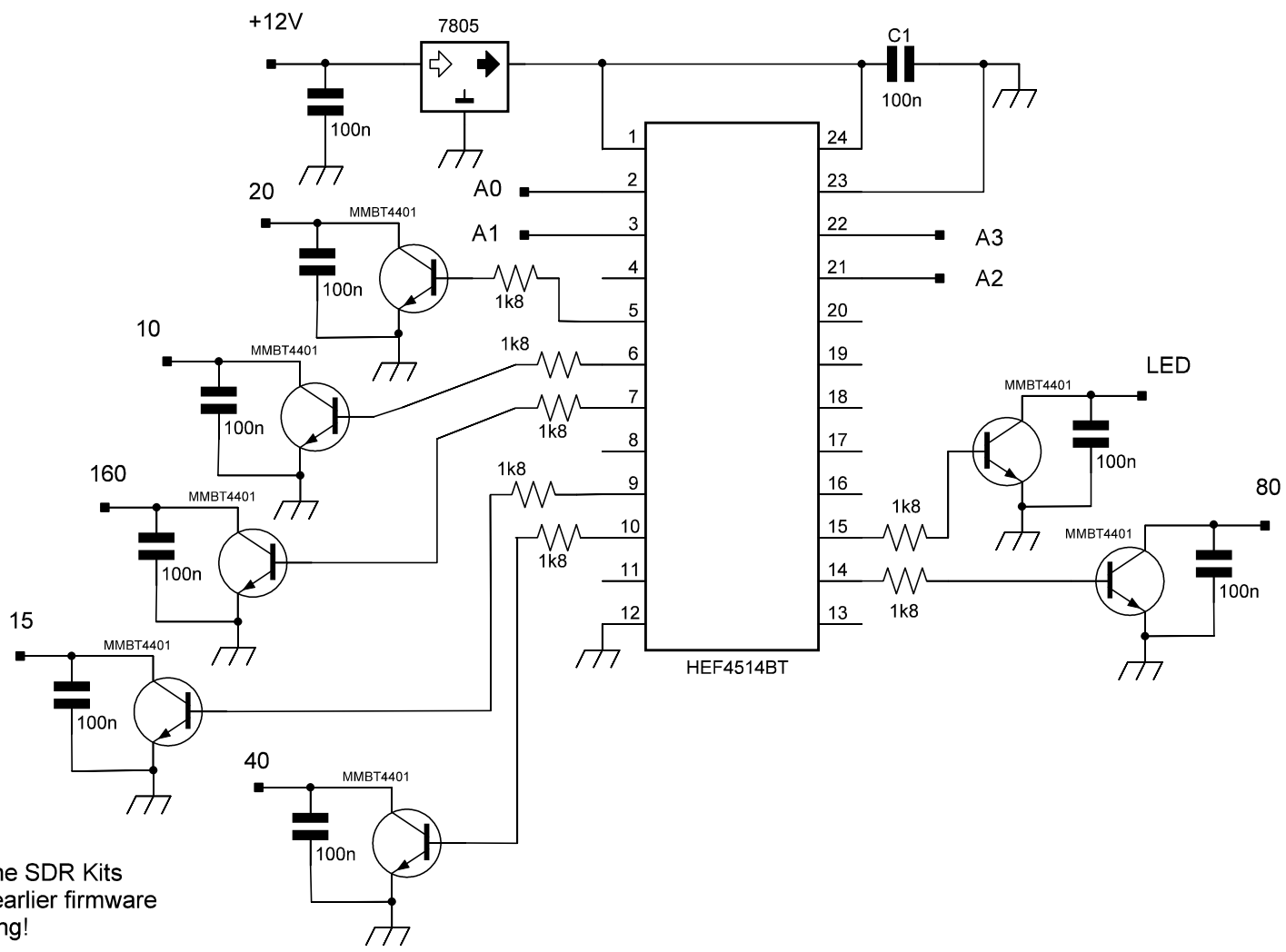


1

2

3

4



Notes

Configured to work with the SDR Kits synth firmware ver 4.20, earlier firmware has different band decoding!

A0 to A3, connect to the synthesizer board. The LED output indicates "out of band".

While a Philips HEF4514BT IC is shown, other similar decoders could be used.

Modifications		Date	Name	Description	Page no.
				G4AON SSB Transmitter	1
				4 line to 16 line decoder V2	
				Schematic no.	Pages 1
			D Johnson G4AON		
					15 Jan 2016