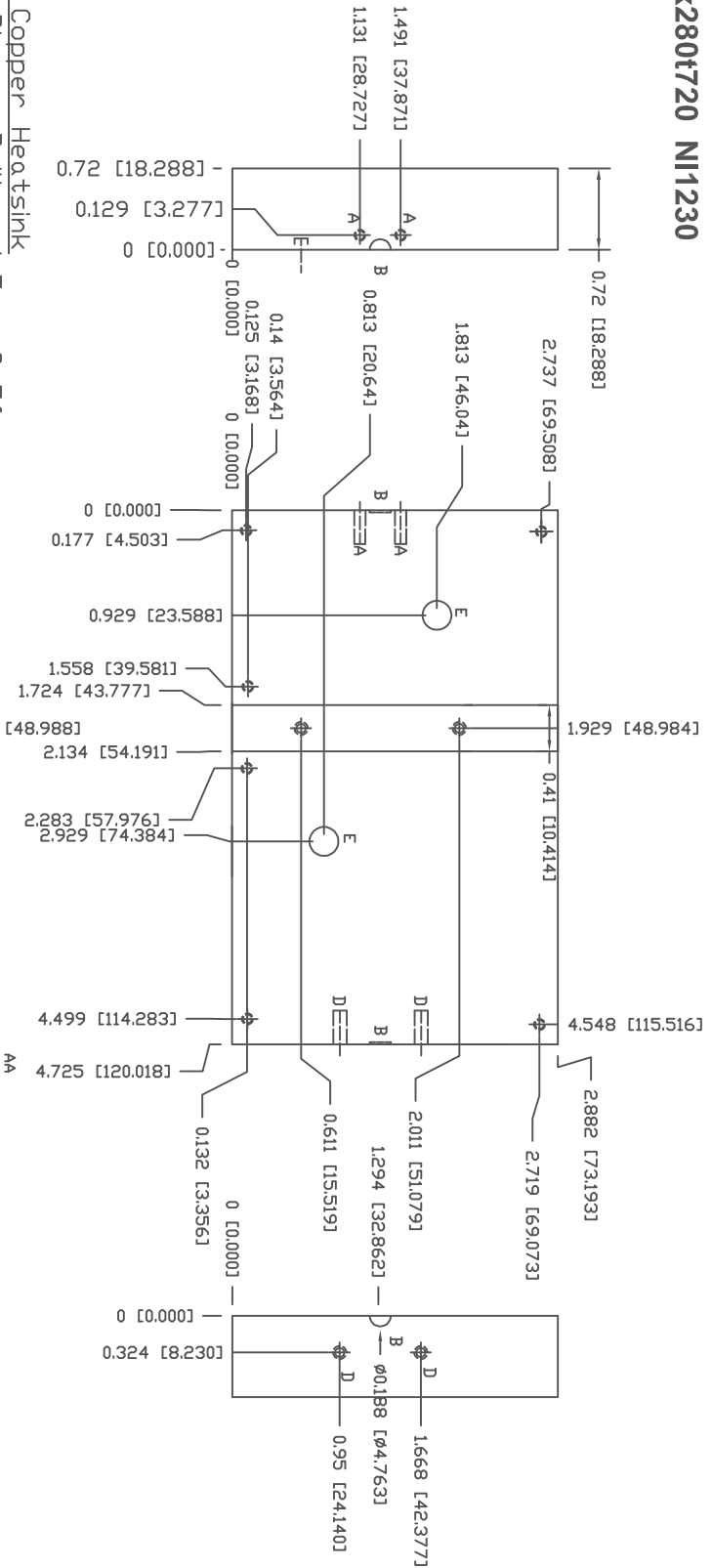
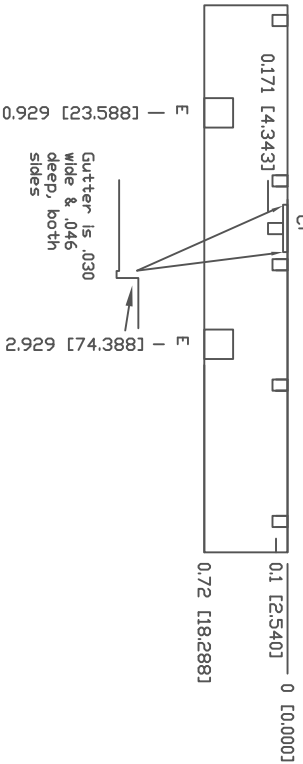


C193x280t720 NI1230



0.720" Copper Heatsink

- A - 2 Places, Drill and Tap, 2-56 Screw depth 0.300"
- B - 2 Places, Both Sides, 0.1875 Dia Notch 0.020 deep
- C - NI1230 Channel 0.410 wide by 0.0410" deep
- D - 2 Places, Drill depth 0.250" and Tap for 4-40 Screw
- E. Locator Holes from bottom DIA. = 0.257" Depth = 0.400



* All other Holes Drill depth 0.300" and Tap thru for 4-40 screw