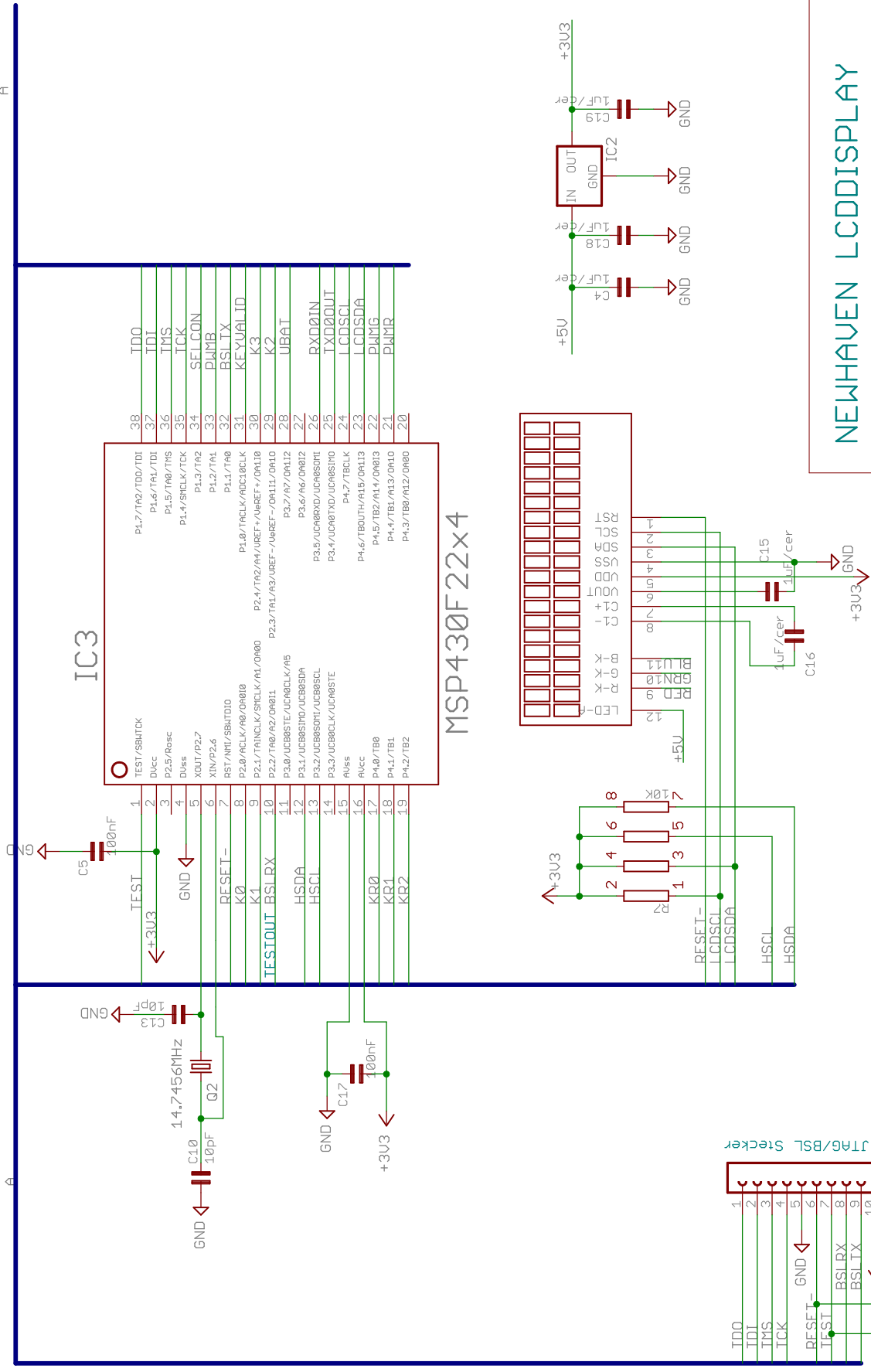


A

A



NEWHAVEN LCDDISPLAY

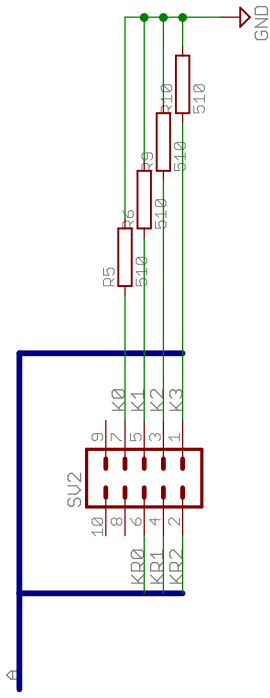
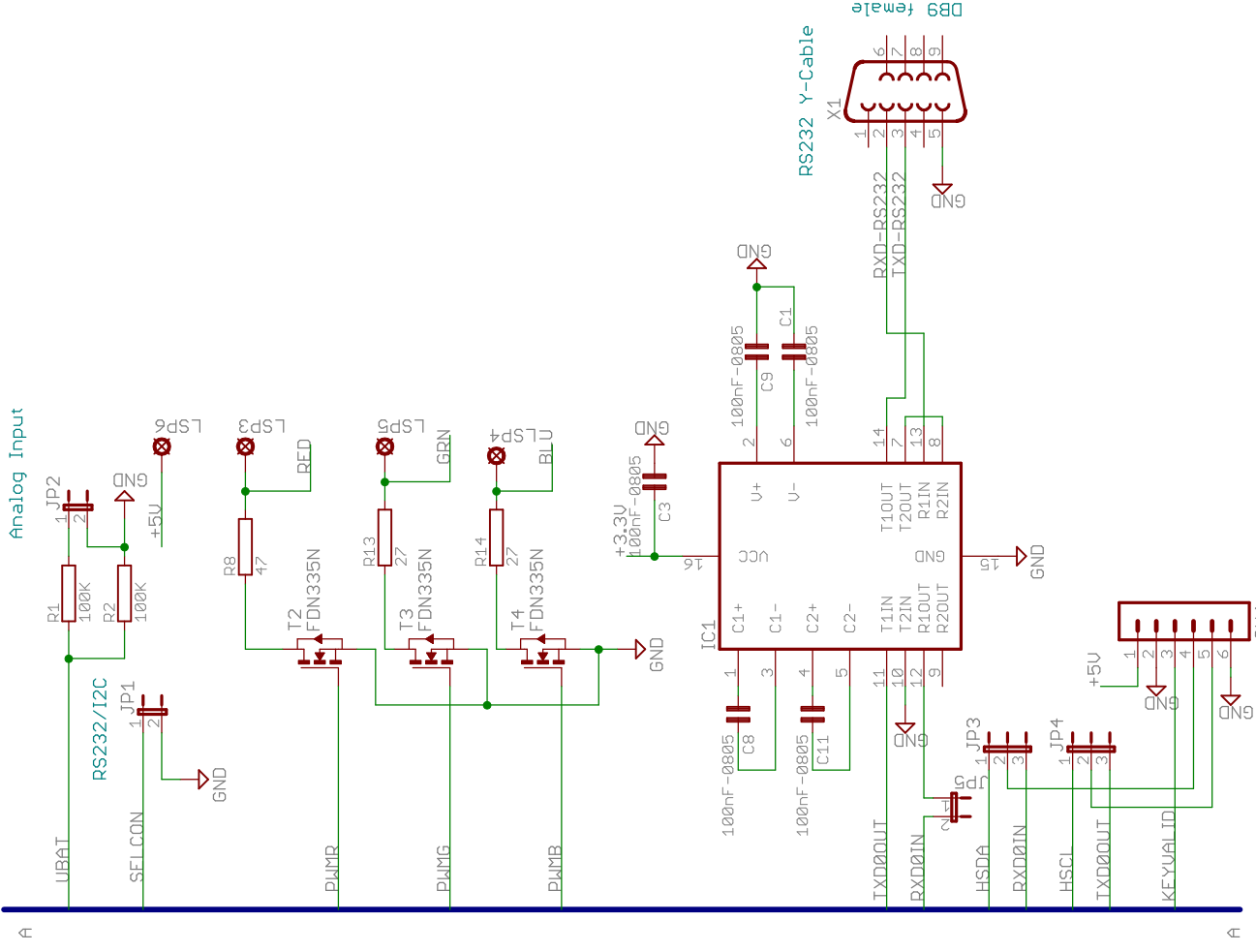
TITLE: nhvd

Document Number:

REV: A

Date: 18.02.2012 14:10:33

Sheet: 1/2



TITLE: nhvd

Document Number:

REV:

Date: 18.02.2012 14:10:33

Sheet: 2/2