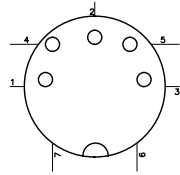
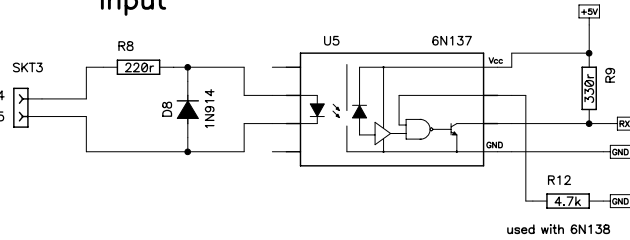


Power Supply

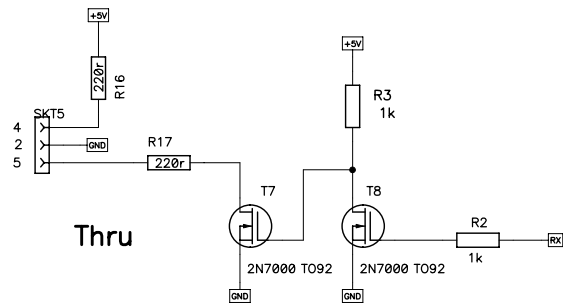


Input

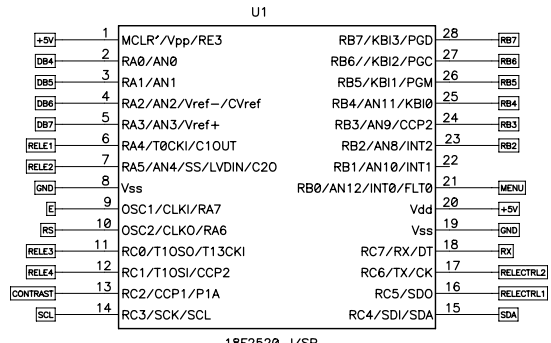


used with 6N138

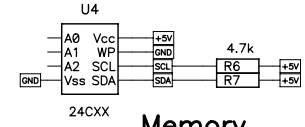
Thru



MIDI Input/Thru



CPU

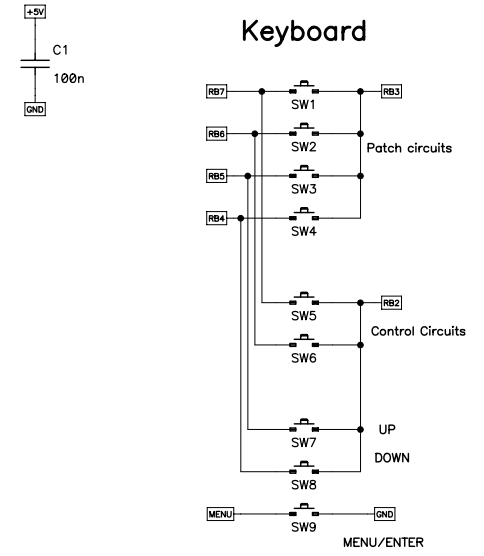


Memory

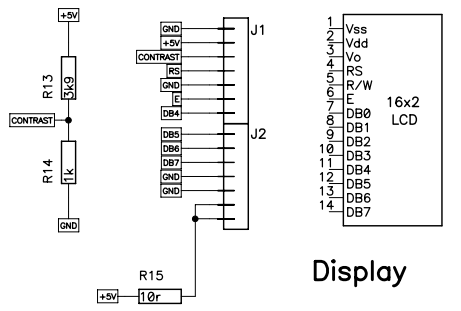
senaeng.com
(c) 2006
www.senaeng.com

Rev0

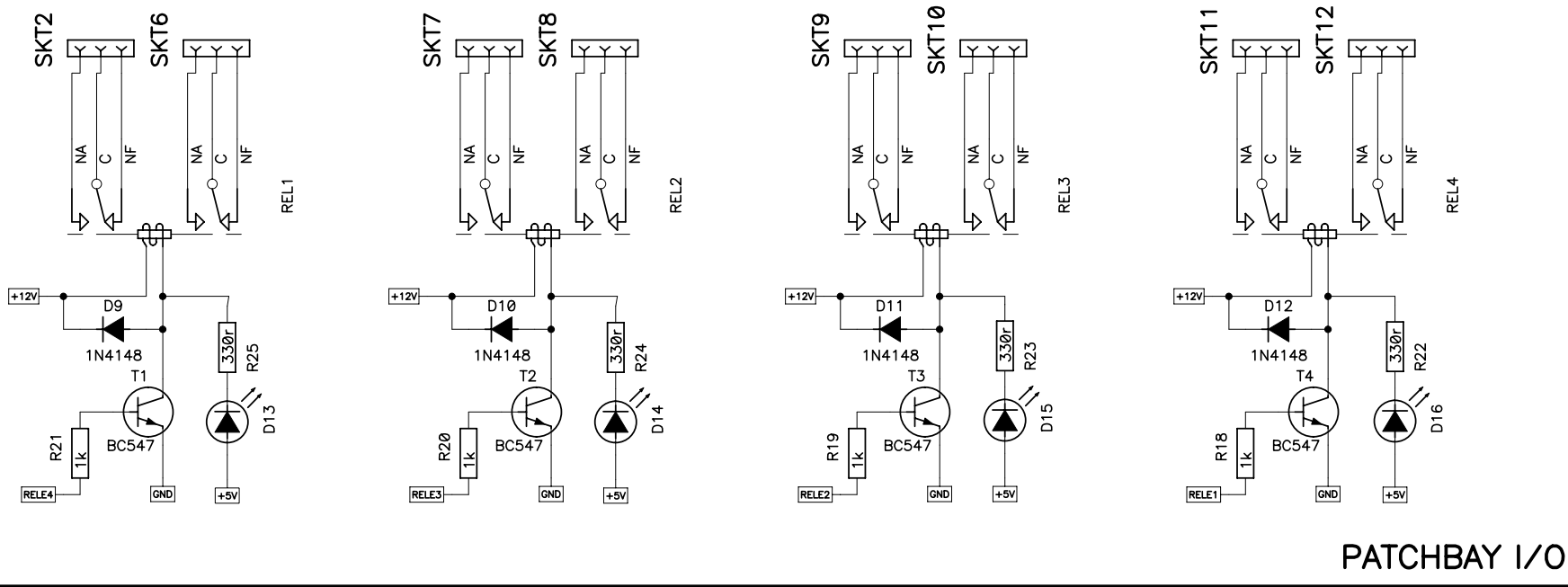
MIDI PatchBay
MIDIAS



Keyboard

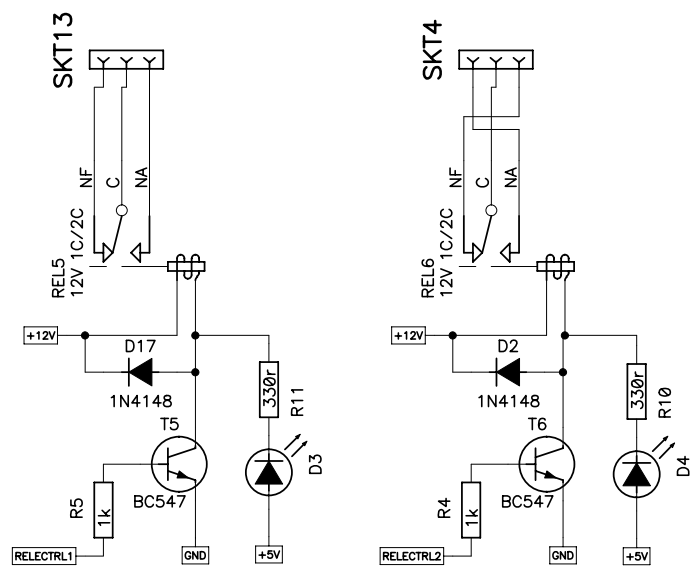


Display



PATCHBAY I/O

CONTROL I/O

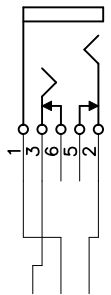


senaeng.com
 (c) 2006
 www.senaeng.com

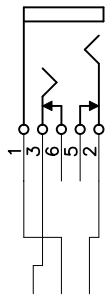
Rev0

MIDI PatchBay
 MIDIAS

CONTROL1

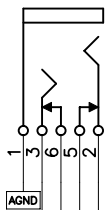


CONTROL2

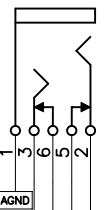


senaeng.com
(c) 2006
www.senaeng.com

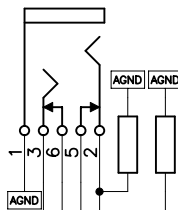
OUTPUT



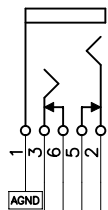
RETURN4



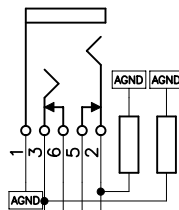
SEND4



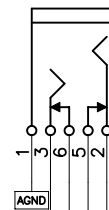
RETURN3



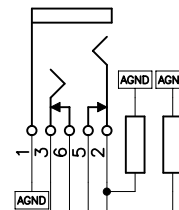
SEND3



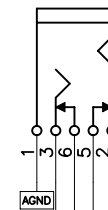
RETURN2



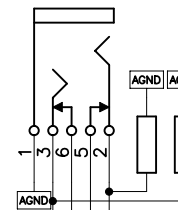
SEND2



RETURN1



SEND1



INPUT

