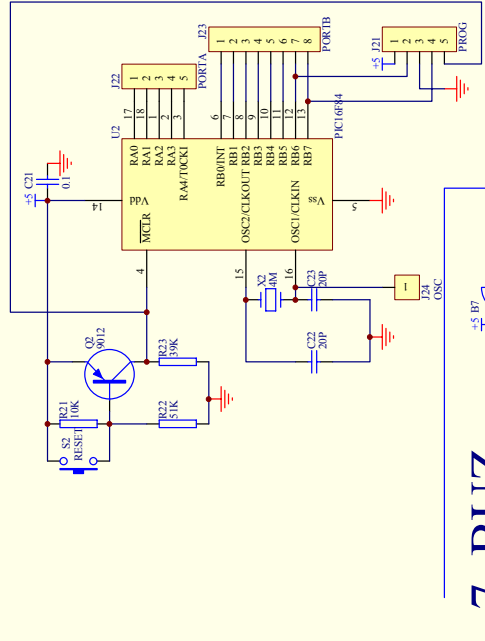
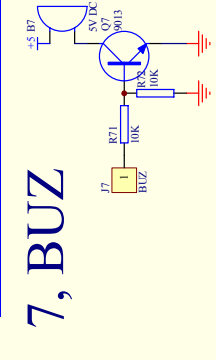


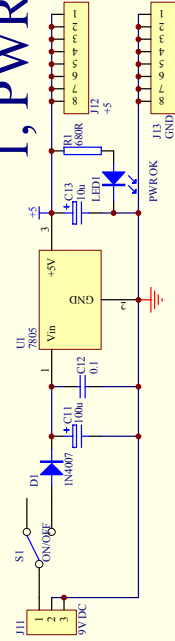
## 2, MAIN



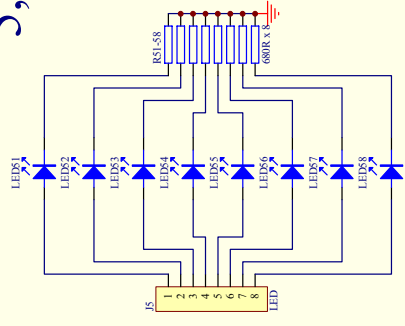
## 7, BUZ



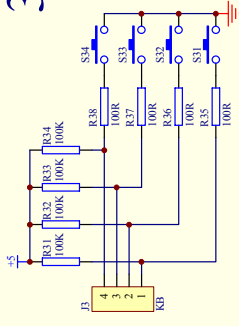
## 1, PWR



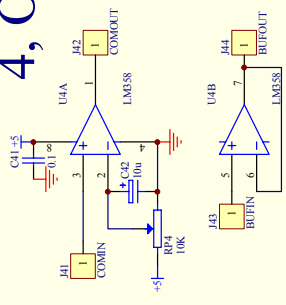
## 5, LED



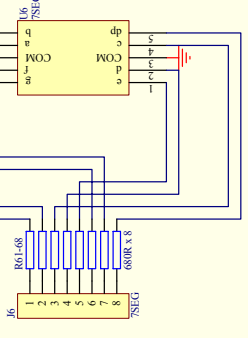
## 3, KB



## 4, OPAMP



## 6, 7SEEG



# HAMPIC F84EXP BOARD REV1.0

HTTP://WWW.QSL.NET/BD6CR/HAMPIC

Designed by Rong Xinhua, BD6CR

Title	Size	Number	Revision
FILE: F:\PROJECTS\F84EXP\BD6CR\HAMPIC.SCH	6.35 x 3.81		
DATE: 1997.04.20			
DESIGNER: RONG XINHUA			
DRAWN BY:			