



AMATEUR RADIO MISSIONARY SERVICE

560 Main Street · Chatham · New Jersey

Winter / Spring 1978

FORMER ARMS PRESIDENT ON
ASSIGNMENT IN EGYPT

(The following letter from Gerry Brunk, K4RBZ, made its way from Egypt to Littleton, CO in excellent time, but because of a mix-up in names and addresses, it took many months to make the last few blocks to its destination. Gerry is back home at Harrisonburg, VA now and we are glad to hear K4RBZ back on the ARMS nets. --Editor).

"Greetings from the land of the pharaohs! In case you may have forgotten, our family has now been in Egypt for nearly two years. Many times I wanted to write a letter to be included in the BEAM, but I left the States without one ARMS address, so I didn't know where to write. Then last Sunday I discovered that Mrs. Bobbie Harms was from Littleton! They have been here since last February, and she has occasionally sung in the church choir where Janet and I sing. They are leaving for home this week, so I am sending this letter with them in the hope that they can locate you. I hope you have not moved during these two years.

"I have been serving as Egypt Representative for Mennonite Central Committee, which is the relief and development agency of the Mennonite and Brethren in Christ churches in the U.S. and Canada. We have been working very closely with the Coptic (Egyptian) Evangelical Church

continued on page 5

1978 ARMS CONVENTION TO BE HELD
AT BOONE, IA July 14, 15, 16.

A Convention Committee of Iowa ARMS members has already done a lot of work in preparation for the 1978 ARMS Convention. The following letter from KØELX, Mary, gives most of the logistics information on the convention.

"Enclosed is info on location of ARMS annual meeting at Boone, IA hosted by the Iowa ARMS members. KØQKI, Forrest Milliken, 1212 7th St., Boone, IA telephone 515 432-2679 is in charge of registration. He can also make motel reservations for anyone who would prefer to stay at the Imperial Inn, a Best Western, on S. Storey St. in Boone (tel. 515 432-4322). See the maps.

"Camp and tent sites are available at the Episcopal Center and also at a nearby park. KØQKI can arrange whatever type of facility one prefers.

"The dormitories at the Center are separate -- one for women and one for men. There is a swimming pool at the Center.

"Advance deposit has been made to reserve the Episcopal Center for ARMS beginning Friday afternoon through Sunday noon.

"Boone is a lovely Iowa town in a picturesque setting of wooded hills along the Des Moines river. YMCA, 4-H, Scouts and other church camps are in the area

continued on page 3

THE ARMS BEAM
published by the
Amateur Radio Missionary Service
Editor: WØETA Chuck Brockmeyer
Associate: WBØAKV Ed Andrews

THE ARMS MOTTO
"...let us do good unto all men,
especially unto them who are of
the household of faith."
Galatians 6:10

* * * * *

ARMS OFFICERS

President - KØGAZ - Jay Sudenga
Vice-President - WB9GGK - David Hoff
Secretary - WBØAKV - Ed Andrews
Treasurer - K2CAC - Allen Smith

* * * * *

Send news items, photos and
address changes to the Editor,
WØETA Chuck Brockmeyer, 7135 S.
Sherman, Littleton, CO 80122.

For Membership information write
to the President, KØGAZ Jay
Sudenga, Rt. 1 Box 111, George,
IA 51237.

Send Membership renewals (\$3.00
per year) to the Treasurer,
K2CAC Al Smith, Box 75, Houghton,
NY 14744. Membership year is
from June 1 to May 30 of the
following year.

* * * * *

A R M S N E T S

Eastern M.W.F. 7 A.M. EST 3.907

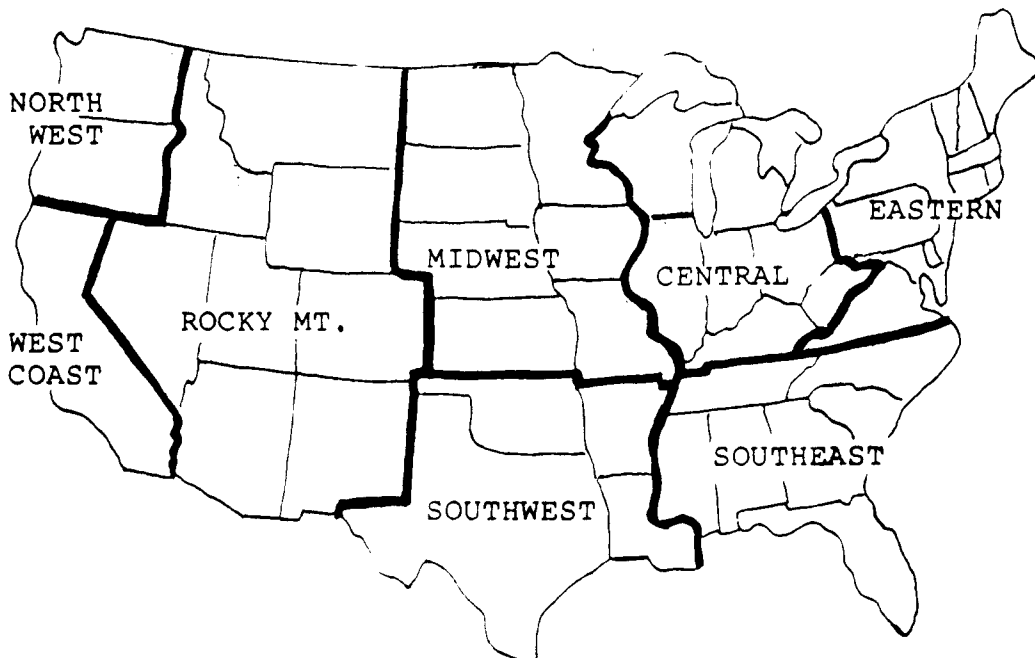
Midwest Sat. 8:30 A.M. CST 3.907

Rocky Mtn. Sat. 8 A.M. MST 3.907

Transcontinental
(Mon to Sat) 10 A.M. CST 14.307

Halo Missionary Net
1 P.M. EST 21.390

ARMS SECTIONS



ARMS CONVENTION CONT'D

because of the scenic beauty. The restoration of Maimie Eisenhower's birthplace in Boone is of historical interest.

"Miss Lois Crawford, the first lady engineer to get a first class radio telephone ticket, established the first Christian radio station KFGQ in 1927. She is still active and recently celebrated the 50th anniversary of being on the air.

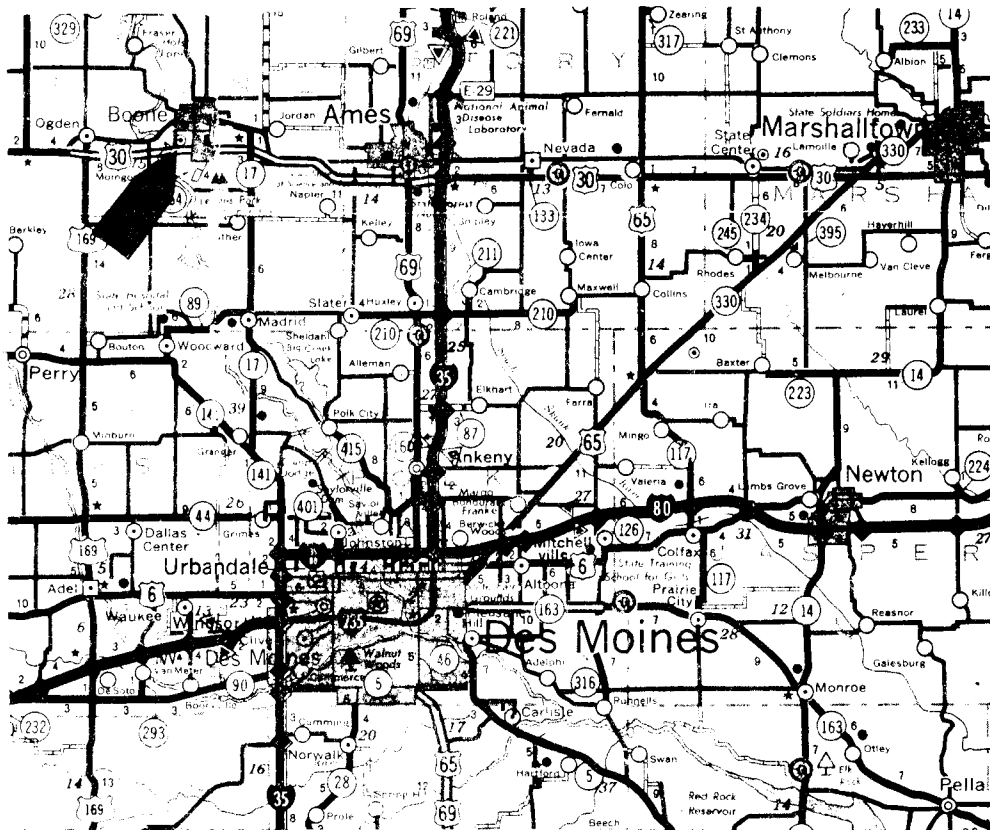
"Mabel Milliken, wife of KØQKI has been in the ceramics business and is very talented in that art and will have a program of interest for the ladies. We are planning several things for the ladies to make the ARMS Convention time special for them also -- details later.

"The Center has some good cooks. Meals have always been well prepared.

"Boone is accessible from Interstates 80 and 35 and U.S. 30. The way to the Center is well marked from Storey St. (Main St.) see the maps.

"The Iowa ARMS members are rolling out the red carpet for a great time together the weekend of July 15."

signed: KØELX, KØQKI, WØLSF, WAØNPH, KØGAZ -- Convention Committee



REGISTER FOR THE ARMS CONVENTION == SEE THE PINK SHEET AT THE END OF THE BEAM

EPISCOPAL CENTER OF CAMPS & CONFERENCES
BOONE, IOWA

RATE SCHEDULE

| | |
|---|----------|
| Adult per day (3 meals and overnight) per day | \$ 14.00 |
| Overnight | \$ 6.75 |
| Dinner | 3.25 |
| Lunch | 2.25 |
| Breakfast | 1.75 |
| Adult Weekend (6 meals and 2 overnights) | 28.00 |
| Linen Rental (Pillowcase, 2 sheets, 2 blankets) Does not include towels and wash cloths. | 1.00 |

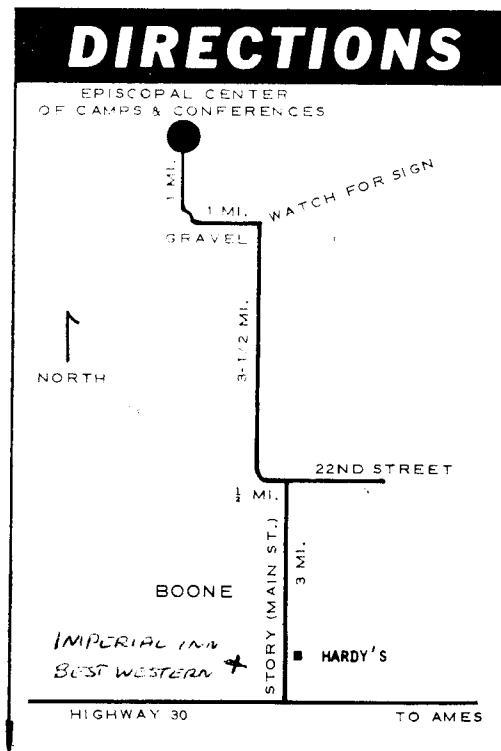
Family camping is available with or without electrical hook-up. Modern toilet and shower facilities, water hydrants and dumping station are in the area.

CAMPING RATES

- \$ 3.00 per night per unit (tent or trailer)
- \$ 4.00 per night per unit (with electrical hook-up)
- \$ 5.00 per night per unit (with air conditioner)
- \$ 4.50 per night - Tent Rental in Primitive area when available.

Pool: Swimming fees must be paid at the pool.

Pool hours: 1 p.m. to 5 p.m. and 7 p.m. to 9 p.m. daily.



REGISTER FOR THE ARMS CONVENTION == SEE THE PINK SHEET AT THE END OF THE BEAM

BRUNK LETTER CONT'D

which is Presbyterian, and the Coptic Orthodox Church. The former is the result of the work of Presbyterian missionaries in the last half of the 19th century, and the Church now numbers around 100,000. The latter is the largest Christian church in Egypt, and it traces its origins to St. Mark in Alexandria, and regards St. Mark as its founder. Although no one is sure exactly how many Orthodox Christians there are, the number is somewhere between five to seven million. Few people realize that there are more Christians in Egypt (which is over 95% Moslem) than in any other country in the Middle East.

I have had responsibility for a number of volunteer English teachers from the States who are teaching in the schools of the Coptic Evangelical Church, and two nurses from Canada who are working in an Evangelical Hospital. We have also been providing various kinds of material aid to both the Coptic Evangelical and the Orthodox churches and their programs. In addition, we have helped the former establish a cattle fattening project in a village in Upper (southern) Egypt, and have helped the latter equip a carpentry and welding workshop in one of the poorest sections of Cairo so that boys can learn carpentry and welding skills in a two-year apprenticeship program.

Egypt has so many needs that it is difficult to know where to begin. The population has now reached over 40 million, with over 9 million in Cairo alone, and it is increasing at an alarming rate. This is in a country in which less than five per cent of the land is arable--only the narrow strip on both sides of the Nile, and the Delta. The resulting social, economic, health, and spiritual needs are therefore enormous.

There are only a few hams in Cairo, and I have met only one who is not very active. It would of course have been impossible for me to bring and operate equipment here, and only one or two Egyptians are active at all. The one I have met is SULES, Ezzat Sayed Ramadan, who lives near us in Heliopolis, the northern suburb of Cairo.

I will be returning to my teaching at Eastern Mennonite College in Harrisonburg, VA this fall; en sha allah (God willing, in Arabic). If present plans work out, we will leave Egypt on July 6 from Suez, and take a passenger-car ferry around the tip of the Sinai to Aqaba in Jordan. From there we will go to Amman, Jordan, cross the Jordan River to Palestine, and tour the sites there for a few days. If possible, we want to visit Damascus, Syria, and then fly to Vienna, Austria via Istanbul, Turkey. Then we plan to travel overland in Europe to Amsterdam, fly to London where I want to spend some time, since the history of England is my special field. We hope to get home sometime after the middle of August in time for our boys to begin school.

I sure have missed being on the air, and especially have I missed being in touch with ARMS. I don't know if my little Swan 350 will fire up or not after being in mothballs for two years, but I'm eager to find out.

Until we meet again on the air, best wishes from all of us, and ma'a salamma (peace be with you). Give my greetings to everyone in ARMS.

E D I T O R I A L

If you compare page 2 of the Fall 1977 BEAM with that of this Winter/Spring 1978 issue, you will notice that we have dropped four of the ARMS nets which were previously listed. We didn't discontinue those nets, they have been discontinued for a long time. We will be happy to list them again as soon as someone gets them going again. We have had some excellent contacts through those nets, but it is not fair to continue to list them and encourage people to use them when they just don't exist.

+ + + + +

C O R R E C T I O N

The last page of the Fall 1977 BEAM were a list of switch forms with their schematic representations. We didn't receive any letters to the Editor pointing out an error, but there is one, so we better correct it. Figure "G" is the "Break, Break" arrangement, not "Break Make" as it is labeled.

+ + + + +

ADDRESS CHANGES

Garold Van Engen, XE3D, from Chiapas, Mexico to 223 3rd St. N.E., Orange City, IA.

Harry L. Baumgarten, OA8BP, from Yarinacocha, Peru to W9KWJ, Box 86, Arena, Wisconsin 53503. W0EYL, Glen Peterson, passed this info -- "Harry is 80 years old and finally plans to settle down in Wisconsin."

+ + + + +

NEW MEMBERS

K3ZVM, Tom Aliff, RD 1 Box 175, Northeast, MD 21901
 W8EY, Dr. L. Morse Weimer, 2245 Bending Willow Dr, Dayton, OH 45440
 W8PHT, Marvin Sparks, 1119 Beaumont Ave., Dayton, OH 45410
 WA6FMO, H. Leon Winter, S.I.L., Nasuli, Malaybalay, Bukidnon, Philippines 8201
 WD6CAO, Lola S. Winter, S.I.L., Nasuli, Malaybalay, Bukidnon, Philippines 8201
 W5ZI, Frank R. Whitaker, 330 Latch Dr., San Antonio, TX 78213
 WA7YUK, Clifford M. Aldrich, 300 Luman Road Sp #14, Phoenix, OR 97535
 K0UJU, M. Brian Erickson, 4840 J St., Lincoln, NE 68510
 WB7OOL, Ralph D. Ohling, Box 307, Drain, OR 97435
 WB0PHT, James L. Foster, 1355 S. Lamar St., Lakewood, CO 80226
 WB2SQX, John S. Babbitt, 71 Maple St., Canisteo, NY 14823
 W3DEW, William McBrn, 2123 Mosser Ave., Williamsport, PA 17701
 WB9SLR, Gerald E. Swanson, 1418 Rosita Dr., Palatine, IL 60067
 WB3EUG, Rev. Merwin Updyke, 609 Bell Ave., Altoona, PA 16602
 W0NSZ, A. Kelsey Smith, Jr., 11486 West Florida Pl., Lakewood, CO 80226

+ + + + +

REGISTER FOR THE ARMS CONVENTION == SEE THE PINK SHEET AT THE END OF THE BEAM

At the Rocky Mountain ARMS Section meeting when we got together to say good-bye to Dave, WAØTPD, and Pat Immel as they were preparing to leave Denver for assignment with JAARS in Waxhaw, NC, Ed Andrews, WBØAKV, introduced his Electronic version of "Home on the Range" which is printed below for your enjoyment.

OHM IN THE RIG
by
Edward Andrews, WBØAKV
with apologies to HOME ON THE RANGE

Oh give me an ohm
Where the 'lectron does roam
Where the volts and the amperes do play,
Where seldom is code
A discouraging mode
And the hams are transmitting all day.

Refrain: Ohm, ohm in the rig
Where the volts and the amperes do play,
Where seldom is code
A discouraging mode
And the hams are transmitting all day.

Oh give me a rig
For it need not be big
As I yak at the hams on the net.
To hear a strong voice
Then will be my first choice
While I log all the calls that I get.

How often at night
When the band is just right
And the rig will glow like a big crown,
I sat at the mike
For the DX that I like
But I Q-SOed the ham across town.

Oh tune with good care
For a time on the air
While you're carefully turning the beam.
The calls will come in
And you'll have a broad grin
Like a ham in a heavenly dream.

+ + + + + + + + + +

When things go wrong, we ask, "What have I done to deserve this?"
We might ask the same question when things go well.

+ + + + + + + + + +

REGISTER FOR THE ARMS CONVENTION == SEE THE PINK SHEET AT THE END OF THE BEAM

GARDENA, CALIFORNIA -- Brownie, K6GRS, Green Rattle Snakes, sent in his quarterly list of check-ins to the Transcontinental 20 meter net on 14.307 MHz. Let's all try to make his list this next quarter.

K6GRS ARMS NET ACTIVITIES REPORT FOR QUARTER #1 1978.

CALL LETTERS OF STATIONS WHO CHECKED IN DURING THE LAST QUARTER:

K2CAC WB2ICF WB2BUX/4
 WB3YPX WA3BKM WA3DKK K3HUM WA3TCE WA3EOQ WA3VBB
 WA3EDA W3RR/Reg3 WA3ACX K3ROW
 K4BFT WA4RBY WA4TSE WB4GED K4RBZ WA4ZCE WA4UHM
 K4FFM W4QNE WA4RBY
 WB5WJA K5JEF W5ZI WB5BRD W5VCR W5RJ W5TC
 WB6TIM W6LOF WA6ORE WA6TLC/MM W6AZO WA6BTX WA6FHT K6UEG K6RJU
 WA6ECM K6JRJ K6VFG WA6TGS WA6ROY W6QKI K6VCJ W6PQZ
 WA7MKH/VE3 W7FQ K7AQ WA7YUK WA7ASC WA7BRW W7UZY WB7NWU W7QEO
 WA7JTE WA7OMI/MM K7OZT W7QNC W7JMH WA7MJZ WA7MWD K7TE W7AVD
 WA7ETL W7CVL W7QNC WA7RUY WA7OLO WA7AAT/5 W7UYJ W7SMF W7FHX W7GRM
 WA8AFN WA8?X? WB8BOI W8MFO
 W9ICN W9UWC
 WØMI KØPTO WØBBO WØVGM KØGAZ WAØNEW KØQKI WØJAO WØETP WAØOEA
 WAØTPD KØSIV WØEYL WØEXL KØOZT WØCKT KØUED/5 KØELX WØETA KØICS
 NØFM KØYAR WØUDE WØMAD WØLMB WØUGD KØUPI WØTCE WØROT WØIFC
 WBØSFS KØOZT WAØWOJ WØAXL WAØNJZ WAØTFC KØIYC KØUBI WØEGA
 WAØNPH WAØTCU
 KL7YK KL7EKB VE3LHO XE2LIM

SCHEDULE OF MISSIONARY CONTACTS

ZP5TI a few times Paraguay 1730 GMT

ADDITIONAL ACTIVITIES

Emergency traffic from W6QKI, Yacht Victor to Oceanside via phone patch, during check-ins. They dispatched a plane with help. It is not often that we can handle emergency traffic on the net, but was very glad that this was possible to the Yacht Victor in trouble (W6QKI). They were about 300 miles south of San Diego.

+ + + + +

A CHRISTIAN PRAYS Lord, lay some soul upon my heart
 And love that soul through me;
 And may I bravely do my part
 To win that soul for Thee.

Lord lead me to some soul in sin,
 And grant that I may be
 Endued with power to love and win
 That soul, dear Lord, for Thee. ...The Flashlight

REGISTER FOR THE ARMS CONVENTION == SEE THE PINK SHEET AT THE END OF THE BEAM

MALAGA, SPAIN -- Herman Hartzler, K9YEO, with the Gospel Missionary Union, helps prepare radio programs in Arabic for broadcast to North Africa over Trans World Radio in Monte Carlo, ELWA in Monrovia, Liberia and others. He wrote that he would like to get on the air but the lack of reciprocal agreements between the United States and Spain presents a problem. He may try to get a Spanish license. Herman, his wife, Mary Ann, and sons Stanley (3) and Ian (2) live at El Stabal B-29, Puerto de La Turre, Malaga, Spain.

CORTEZ, COLORADO -- We continue to receive news and progress reports from Art Norris, W0ODW, via the Navajo Gospel Crusader. Art and his wife, Emalou, keep busy cooking for the students at the mission and teaching and caring for the administrative duties of the mission. Circumstances don't allow Art to do much "Hamming" at present, but you can contact him at Navajo Gospel Crusade, Route 1 Box 7, Cortez, Colorado 81321.

WAXHAW, NC -- Amateur Radio Club Station, W4CQ, in Charlotte, NC is making contact with Wycliffe field workers on Tuesday, Thursday and Saturday evenings. Monitoring 21.358 MHz they are getting acquainted with Wycliffe/JAARS folks in remote areas and can assist with phone patches when needed. The idea was spawned by Bill Patterson, Helicopter pilot for Charlotte Radio Station, WSOC, and Jerry Brumley, JAARS Radio Technologist at Waxhaw. (BEYOND, October-November 1977)

LINCOLN, NEBRASKA -- When the ARMS Convention was held at Grace Bible College in Omaha in 1975, one of the activities was a caravan trip down to "Back to the Bible Broadcast" facilities in Lincoln. Bob Mitchell, Director of Editorial, was one of our guides on that tour. Bob has since progressed from Novice to General (July 1977) to Advanced (August 1977) and is a regular on the Midwest Net.

ROBY, W3LW/K2GOY -- Harris Robinson wrote a nice note and shared some of his experiences going back 56 years to 1921 when he first started in radio. Roby mentions working with "Galena Crystals", "Spark Transmitters", UV200 Radiotron Tubes, and Model T Ford Coil "Transmitters". Thanks, Roby.

JINOTECA, NICARAGUA -- Benny Hand, YN9BCH, missionary to Nicaragua, writes that he is in need of 80 and 40 meter mobile equipment with antenna. He needs equipment to keep in touch with home base when traveling. Benny operates on Monday and Friday 21.350 MHz and up at 2130 GMT. Benny and his wife, Nelda, and Ben and Bene live at Apartado 34, Jinotega, Nicaragua.

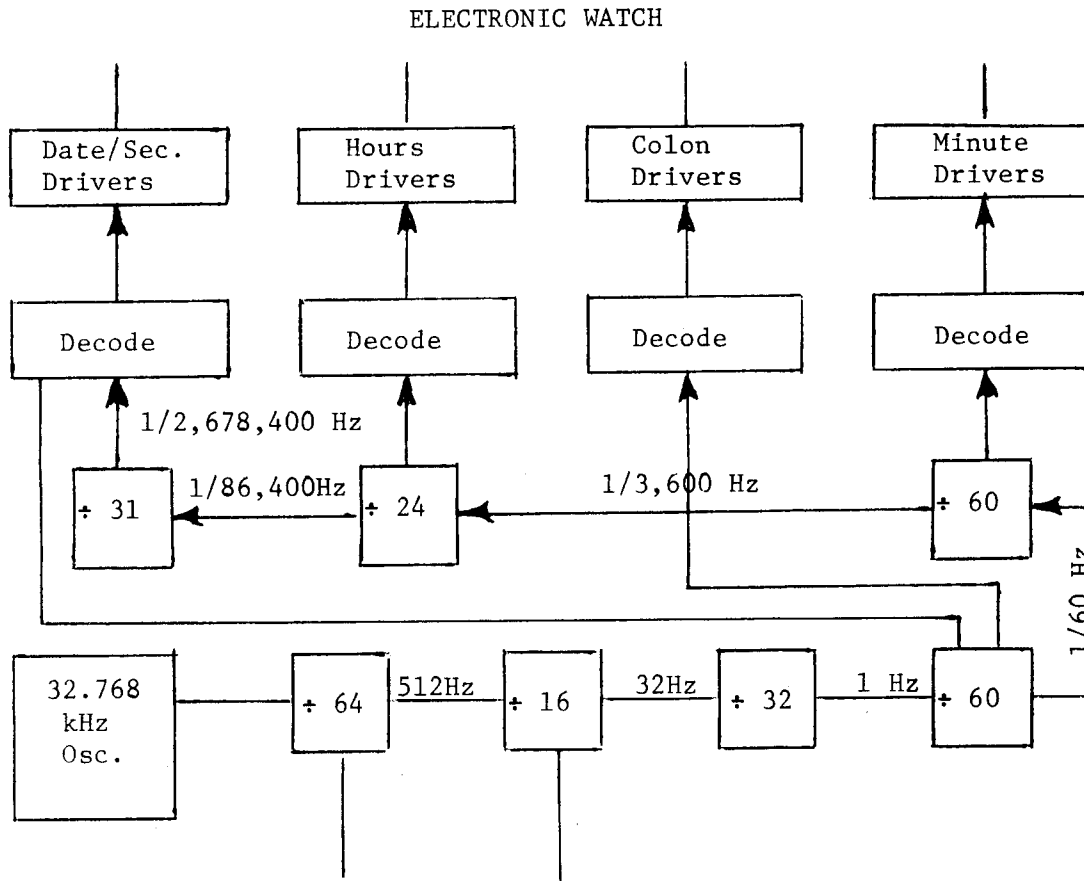
ABSENT FROM THE BODY - PRESENT WITH THE LORD -- Ralph E. Melford, WA9ZWI, 1324 Adrian Blvd., Fort Atkinson, Wisconsin 53538. Ralph was a wonderful ARMS member even after he lost his sight. His wife, Ruth, wrote -- "Ralph spent many enjoyable hours visiting on Ham Radio with his many friends. He especially enjoyed the Breakfast Group that met to discuss most anything-- also the noon net. I enjoyed listening in....."

REGISTER FOR THE ARMS CONVENTION == SEE THE PINK SHEET AT THE END OF THE BEAM

TECHNICAL

I'm sure by now that many of you have come into possession of a digital watch or have at least seen them. One of the major watch manufacturers was late in getting into digital because after making a study, one of the vice-presidents said, "We will never be able to sell a wrist watch to the American public which requires two hands to operate." Well, he was wrong. However, they have now developed a digital wrist watch which can be operated with only one hand!

Have you ever wondered what makes a digital watch tick? Well, they really don't tick, but the following block diagram should help one to understand how it works.



Start with a 32.768 kHz crystal oscillator. Use a divider chain to divide by 64 = 512 Hz -- divide by 16 = 32 Hz -- divide by 32 = 1 Hz. This 1 Hz drives the seconds display.

1 Hz ÷ 60 = 1/60 Hz. This drives the minutes display.

1/60 Hz ÷ 60 = 1/3600 Hz. This drives the hours display.

1/3600 ÷ 24 = 1/86,400 Hz. This drives the day part of the date display.

1/3600 ÷ 28, 30 or 31 = 1/2,678,400 Hz. This drives the month part of the date display and works for a 28, 30 or 31 day month.

Most watches don't self-adjust for February 29 so they have to be manually reset on February 29.

R E G I S T R A T I O N

1978 ARMS CONVENTION

July 14, 15, 16

EPISCOPAL CENTER OF CAMPS & CONFERENCES
BOONE, IOWA

Mail to: KØQKI Forrest Milliken, 1212 7th St., Boone, IA 50036
telephone -- 515 432-2679

No. of Adults _____

No. of Children _____ Ages _____

Estimated day & time of arrival _____

Indicate accomodations desired:

___ Dormitory (Men & Women in separate dorms)

___ Camping space for tent/trailer/camper without electricity

___ Camping space for tent/trailer/camper with electricity

___ Camping space for tent/trailer/camper with air conditioner

___ Camping, Tent rental

___ Other - specify _____

Call _____

Name _____