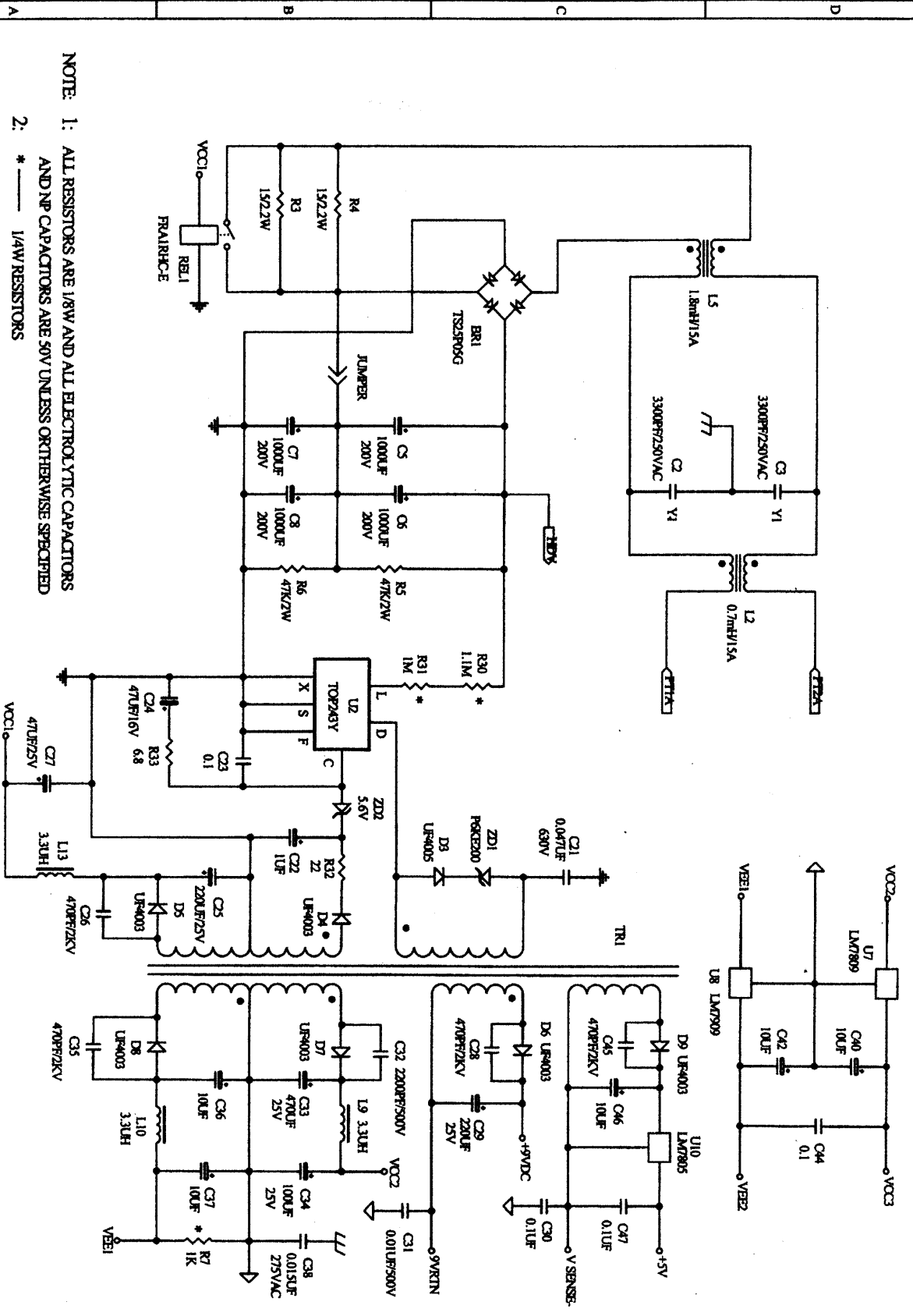


**NOTE:**

- 1: ALL RESISTORS ARE 1/8W AND ALL ELECTROLYTIC CAPACITORS AND IN CAPACITORS ARE 50V UNLESS OTHERWISE SPECIFIED
- 2: \* — 1/4W RESISTORS



NOTE: 1: ALL RESISTORS ARE 1/8W AND ALL ELECTROLYTIC CAPACITORS AND NP CAPACITORS ARE 50V UNLESS OTHERWISE SPECIFIED  
 2: \* ——— 1/4W RESISTORS

G 8 V 6 0 0 0

