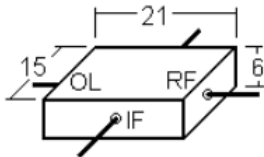


## PAM 42: a very particular mixer

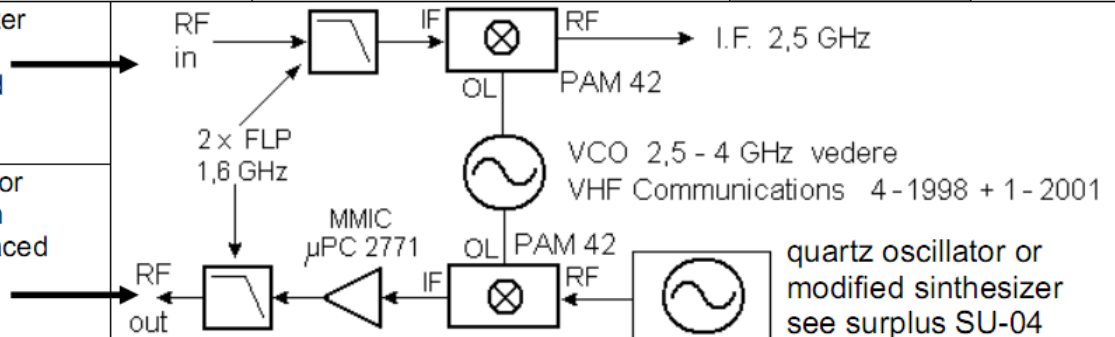
This passive double-balanced mixer is very special since it was especially made for UP converters, a so strange frequency range makes it useful for building spectrum analyzers or tracking generators. The case is professional gold plated and it is very particular but well-suited for RF assemblies.



LO + RF frequency	2 - 4.2 GHz	<b>cod.</b> <b>PAM-42</b>	price 42,00 €
IF frequency ( or RF )	dc - 1.3 GHz		
LO level	+ 7 dBm ( suggested + 9 dBm )		
1 dB C. P.	+ 1 dBm		

Simplified spectrum analyzer front-end up to 1.5 GHz that uses a double-balanced PAM 42 mixer

Simplified tracking generator up to 1.5 GHz for spectrum analyzer using double-balanced PAM 42 mixer



other parts available from us are also listed, as an example, in the scheme up here