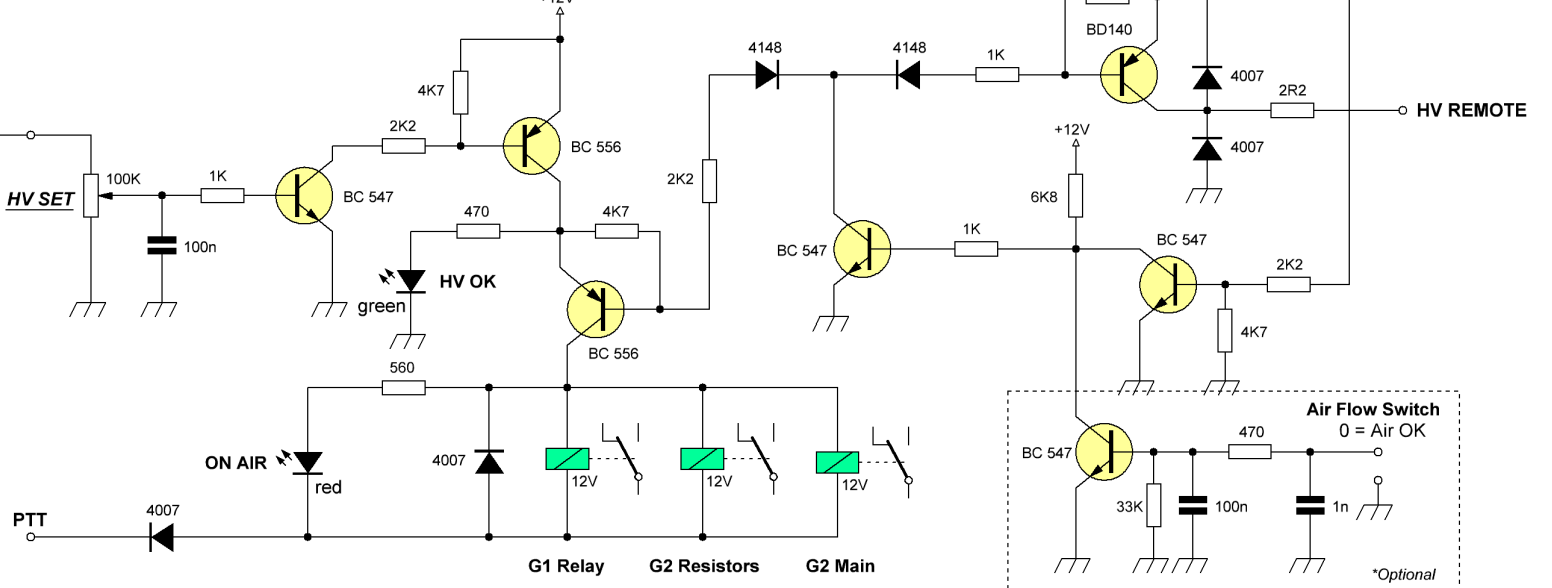


***Not critical values of R,C, diodes & transistors



**CONTROL BOARD
FOR TETRODE AMPLIFIER**
Pastorcici Robert YO4HFU
2018 rev.1.4