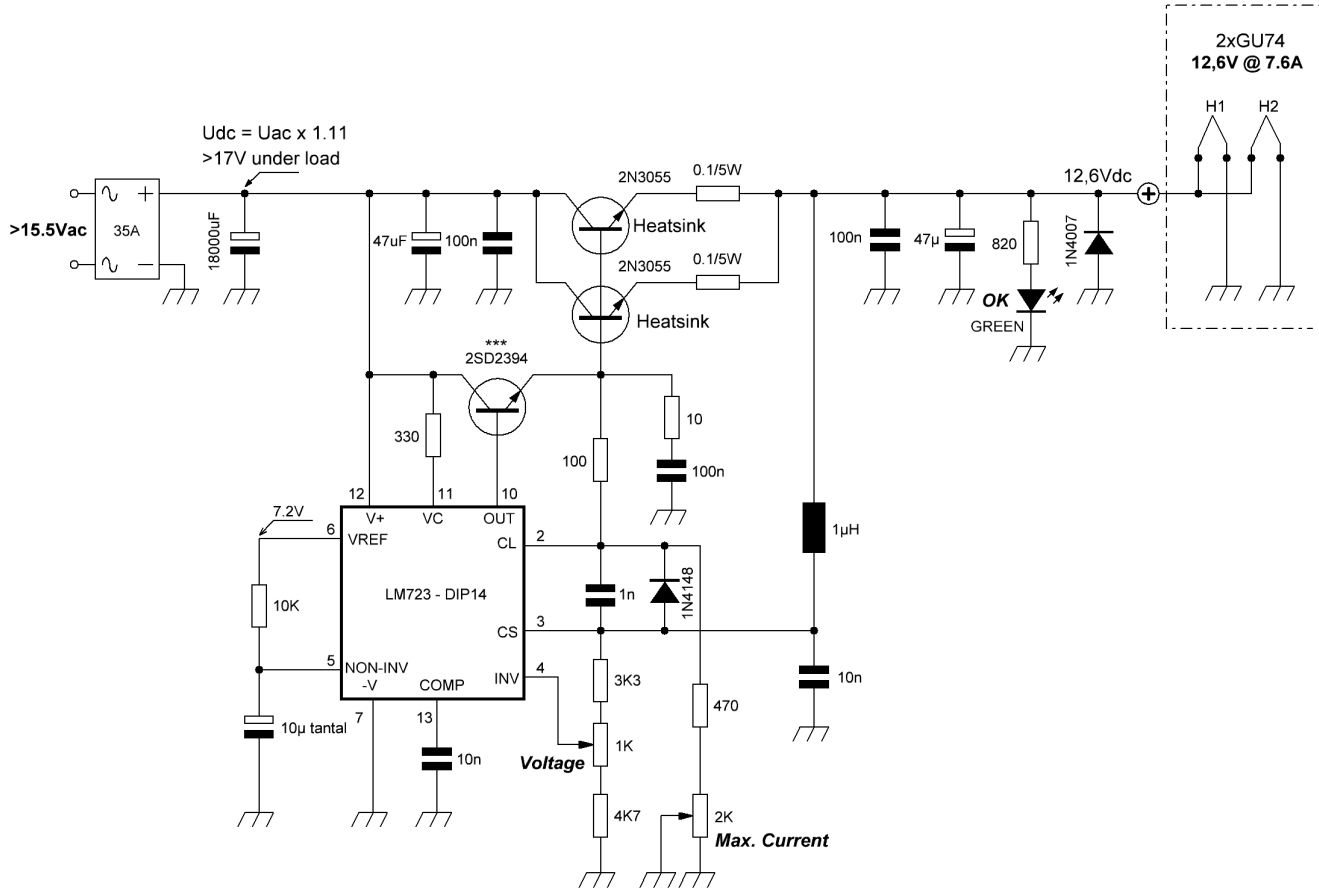


12,6V Heater PSU with inrush protection

vers. 1.1

YO4HFU ©2017



***2SD2394 - or other NPN transistor with low Vce saturation. Otherwise minimum input voltage will be higher than 17Vdc.