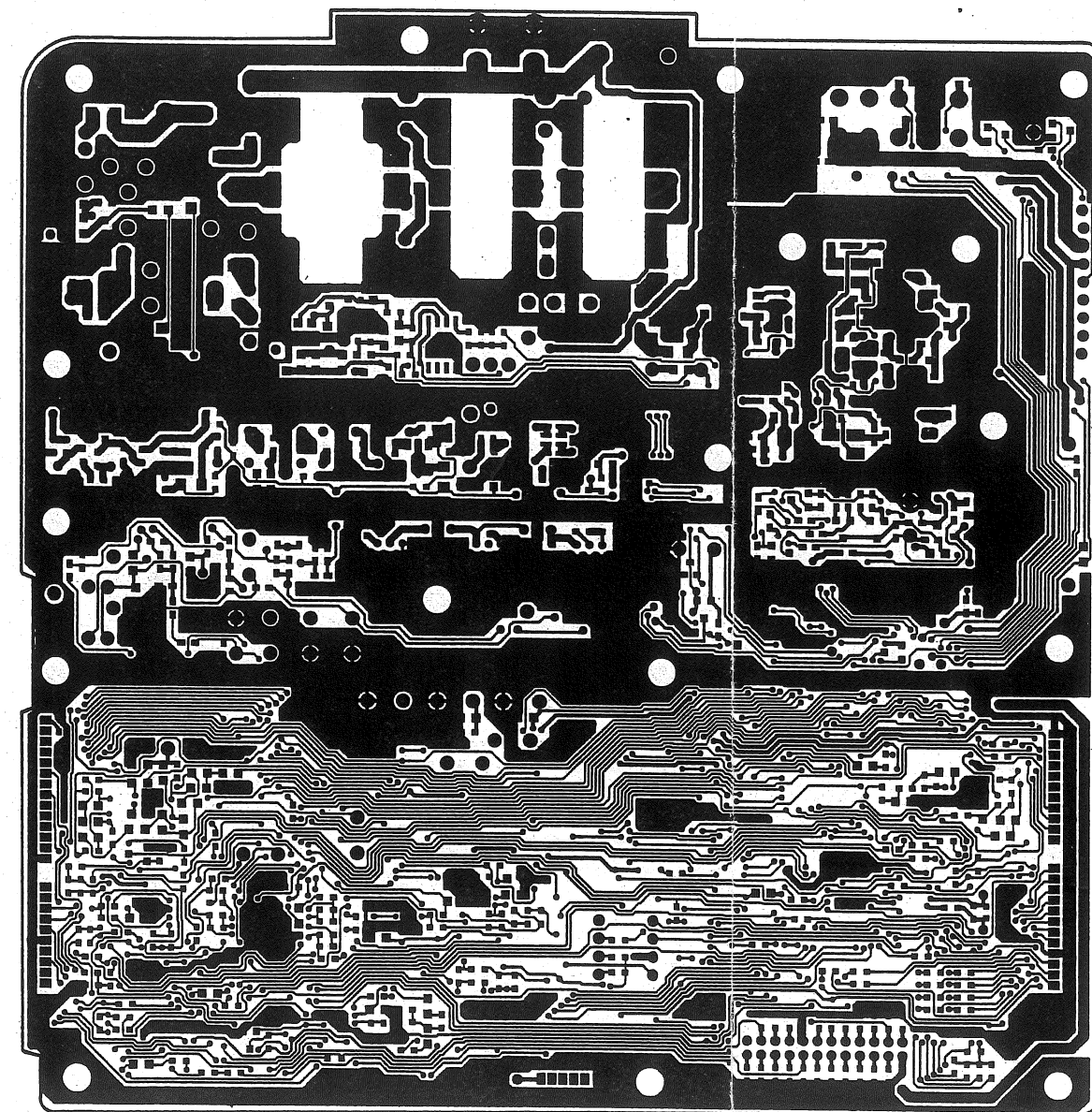


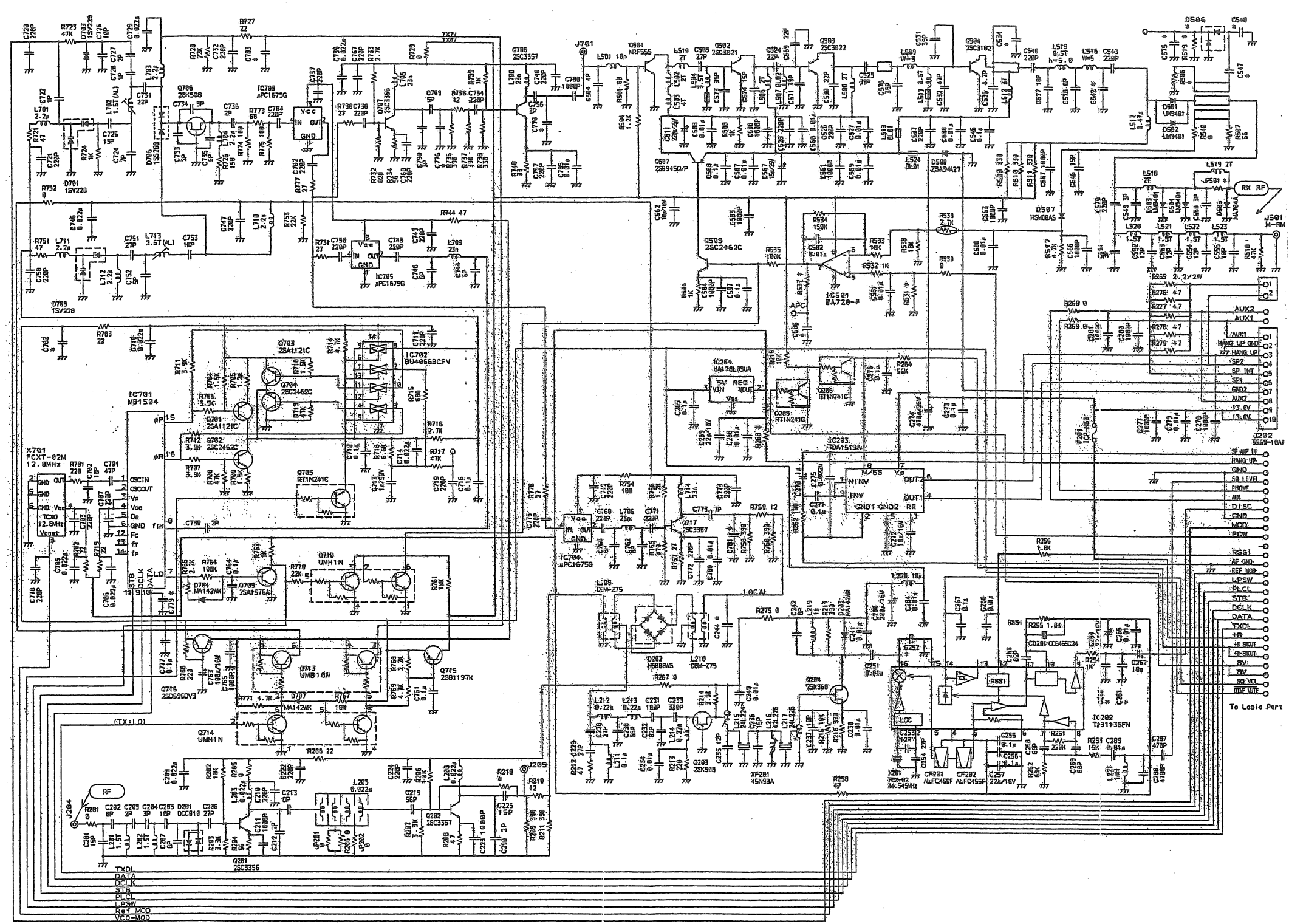
A B C D E F G H I J K L M

1
2
3
4
5
6
7
8



A B C D E F G H I J K L M

1
2
3
4
5
6
7
8



To Logic Port

LOGIC SCHEMATIC DIAGRAM

70-1541/1544/1641/1644

A B C D E F G H I J K L M

1

2

3

4

5

6

7

8

