



OPT301

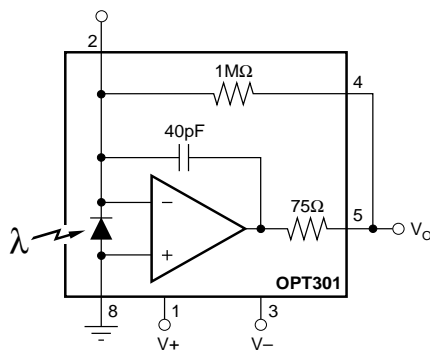
INTEGRATED PHOTODIODE AND AMPLIFIER

FEATURES

- **PHOTODIODE SIZE: 0.090 x 0.090 inch (2.29 x 2.29mm)**
- **1MΩ FEEDBACK RESISTOR**
- **HIGH RESPONSIVITY: 0.47A/W (650nm)**
- **IMPROVED UV RESPONSE**
- **LOW DARK ERRORS: 2mV**
- **BANDWIDTH: 4kHz**
- **WIDE SUPPLY RANGE: ±2.25 to ±18V**
- **LOW QUIESCENT CURRENT: 400μA**
- **HERMETIC TO-99**

APPLICATIONS

- **MEDICAL INSTRUMENTATION**
- **LABORATORY INSTRUMENTATION**
- **POSITION AND PROXIMITY SENSORS**
- **PHOTOGRAPHIC ANALYZERS**
- **SMOKE DETECTORS**

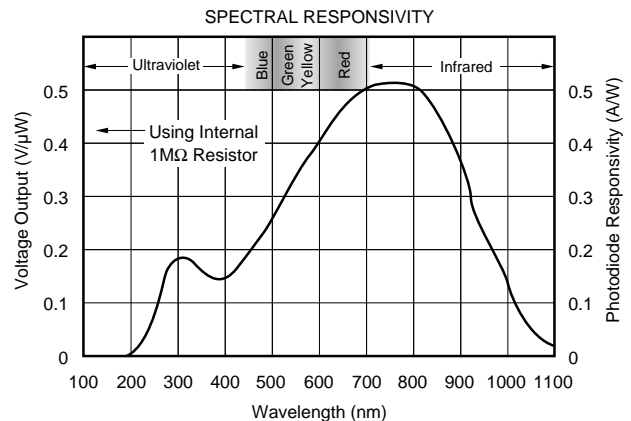


DESCRIPTION

The OPT301 is an opto-electronic integrated circuit containing a photodiode and transimpedance amplifier on a single dielectrically isolated chip. The transimpedance amplifier consists of a precision FET-input op amp and an on-chip metal film resistor. The 0.09 x 0.09 inch photodiode is operated at zero bias for excellent linearity and low dark current.

The integrated combination of photodiode and transimpedance amplifier on a single chip eliminates the problems commonly encountered in discrete designs such as leakage current errors, noise pick-up and gain peaking due to stray capacitance.

The OPT301 operates over a wide supply range (±2.25 to ±18V) and supply current is only 400μA. It is packaged in a hermetic TO-99 metal package with a glass window, and is specified for the -40°C to 85°C temperature range.



International Airport Industrial Park • Mailing Address: PO Box 11400 • Tucson, AZ 85734 • Street Address: 6730 S. Tucson Blvd. • Tucson, AZ 85706
Tel: (520) 746-1111 • Twx: 910-952-1111 • Cable: BBRCORP • Telex: 066-6491 • FAX: (520) 889-1510 • Immediate Product Info: (800) 548-6132

SPECIFICATIONS

ELECTRICAL

$T_A = +25^\circ\text{C}$, $V_S = \pm 15\text{V}$, $\lambda = 650\text{nm}$, internal $1\text{M}\Omega$ feedback resistor, unless otherwise noted.

| PARAMETER | CONDITIONS | OPT301M | | | UNITS |
|--|---|-------------------------|--|-----------------------|--|
| | | MIN | TYP | MAX | |
| RESPONSIVITY Photodiode Current Voltage Output vs Temperature Unit-to-Unit Variation Nonlinearity ⁽¹⁾ Photodiode Area | 650nm 650nm 650nm FS Output = 10V (0.090 x 0.090in) (2.29 x 2.29mm) | | 0.47 0.47 200 ± 5 0.01 0.008 5.2 | | A/W V/ μW ppm/ $^\circ\text{C}$ % % of FS in ² mm ² |
| DARK ERRORS, RTO⁽²⁾ Offset Voltage, Output vs Temperature vs Power Supply Voltage Noise | $V_S = \pm 2.25\text{V}$ to $\pm 18\text{V}$ Measured BW = 0.1 to 100kHz | | ± 0.5 ± 10 10 160 | ± 2 100 | mV $\mu\text{V}/^\circ\text{C}$ $\mu\text{V}/\text{V}$ $\mu\text{V}/\text{rms}$ |
| RESISTOR—1MΩ Internal Resistance Tolerance vs Temperature | | | 1 ± 0.5 50 | ± 2 | M Ω % ppm/ $^\circ\text{C}$ |
| FREQUENCY RESPONSE Bandwidth, Large or Small-Signal, -3dB Rise Time, 10% to 90% Settling Time, 1% 0.1% 0.01% Overload Recovery Time | FS to Dark FS to Dark FS to Dark 100% overdrive, $V_S = \pm 15\text{V}$ 100% overdrive, $V_S = \pm 5\text{V}$ 100% overdrive, $V_S = \pm 2.25\text{V}$ | | 4 90 240 350 900 240 500 1000 | | kHz μs μs μs μs μs μs μs |
| OUTPUT Voltage Output Capacitive Load, Stable Operation Short-Circuit Current | $R_L = 10\text{k}\Omega$ $R_L = 5\text{k}\Omega$ | (V+) - 1.25 (V+) - 2 | (V+) - 0.65 (V+) - 1 10 ± 18 | | V V nF mA |
| POWER SUPPLY Specified Operating Voltage Operating Voltage Range Quiescent Current | $I_O = 0$ | ± 2.25 | ± 15 ± 0.4 | ± 18 ± 0.5 | V V mA |
| TEMPERATURE RANGE Specification Operating/Storage Thermal Resistance, θ_{JA} | | -40 -55 | | +85 +125 | $^\circ\text{C}$ $^\circ\text{C}$ $^\circ\text{C}/\text{W}$ |

NOTES: (1) Deviation in percent of full scale from best-fit straight line. (2) Referred to Output. Includes all error sources.

PHOTODIODE SPECIFICATIONS

$T_A = +25^\circ\text{C}$, unless otherwise noted.

| PARAMETER | CONDITIONS | Photodiode of OPT301 | | | UNITS |
|--------------------------------|--------------------------------------|----------------------|---|-----|------------------------------------|
| | | MIN | TYP | MAX | |
| Photodiode Area | (0.090 x 0.090in) (2.29 x 2.29mm) | | 0.008 5.1 | | in ² mm ² |
| Current Responsivity | 650nm | | 0.47 | | A/W |
| Dark Current vs Temperature | $V_D = 0\text{V}^{(1)}$ | | 500 doubles every 10°C | | fA |
| Capacitance | $V_D = 0\text{V}^{(1)}$ | | 4000 | | pF |

NOTE: (1) Voltage Across Photodiode.

SPECIFICATIONS (CONT)

ELECTRICAL

Op Amp Section of OPT301⁽¹⁾

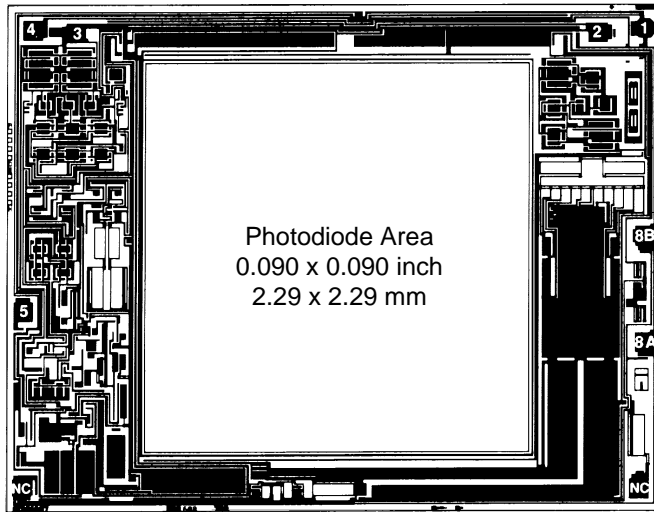
T_A = +25°C, V_S = ±15V, unless otherwise noted.

| PARAMETER | CONDITIONS | OPT301 Op Amp | | | UNITS |
|--|---|-------------------------|--|-------------|--------------------------------------|
| | | MIN | TYP | MAX | |
| INPUT Offset Voltage vs Temperature vs Power Supply Input Bias Current vs Temperature | V _S = ±2.25V to ±18V | | ±0.5 ±5 10 1 doubles every 10°C | | mV μV/°C μV/V pA |
| NOISE Input Voltage Noise Voltage Noise Density, f=10Hz f=100Hz f=1kHz Current Noise Density, f=1kHz | | | 30 25 15 0.8 | | nV/√Hz nV/√Hz nV/√Hz fA/√Hz |
| INPUT VOLTAGE RANGE Common-Mode Input Range Common-Mode Rejection | | | ±14.4 106 | | V dB |
| INPUT IMPEDANCE Differential Common-Mode | | | 10 ¹² 3 10 ¹² 3 | | Ω pF Ω pF |
| OPEN-LOOP GAIN Open-Loop Voltage Gain | | | 120 | | dB |
| FREQUENCY RESPONSE Gain-Bandwidth Product Slew Rate Settling Time 0.1% 0.01% | | | 380 0.5 4 5 | | kHz V/μs μs μs |
| OUTPUT Voltage Output Short-Circuit Current | R _L = 10kΩ R _L = 5kΩ | (V+) – 1.25 (V+) – 2 | (V+) – 0.65 (V+) – 1 ±18 | | V V mA |
| POWER SUPPLY Specified Operating Voltage Operating Voltage Range Quiescent Current | I _O = 0 | ±2.25 | ±15 ±0.4 | ±18 ±0.5 | V V mA |

NOTE: (1) Op amp specifications provided for information and comparison only.

The information provided herein is believed to be reliable; however, BURR-BROWN assumes no responsibility for inaccuracies or omissions. BURR-BROWN assumes no responsibility for the use of this information, and all use of such information shall be entirely at the user's own risk. Prices and specifications are subject to change without notice. No patent rights or licenses to any of the circuits described herein are implied or granted to any third party. BURR-BROWN does not authorize or warrant any BURR-BROWN product for use in life support devices and/or systems.

DICE INFORMATION



OPT301 DIE TOPOGRAPHY

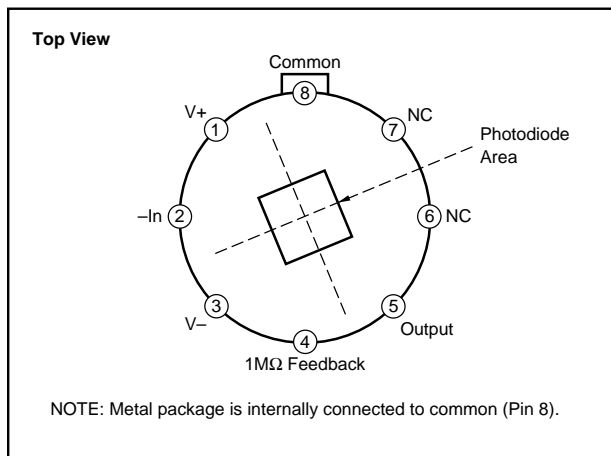
| PAD | FUNCTION |
|--------|----------------------|
| 1 | V+ |
| 2 | -In |
| 3 | V- |
| 4 | 1M Ω Feedback |
| 5 | Output |
| 6 | NC |
| 7 | NC |
| 8A, 8B | Common |

NC: No Connection. Pads 8A and 8B must both be connected to common. Substrate Bias: The substrate is electrically connected to internal circuitry. Do not make electrical connection to the substrate.

MECHANICAL INFORMATION

| | MILS (0.001") | MILLIMETERS |
|---------------|-------------------|------------------------|
| Die Size | 154 x 120 \pm 5 | 3.91 x 3.05 \pm 0.13 |
| Die Thickness | 20 \pm 3 | 0.51 \pm 0.08 |
| Min. Pad Size | 4 x 4 | 0.1 x 0.1 |
| Backing | | None |

PIN CONFIGURATION



ELECTROSTATIC DISCHARGE SENSITIVITY

This integrated circuit can be damaged by ESD. Burr-Brown recommends that all integrated circuits be handled with appropriate precautions. Failure to observe proper handling and installation procedures can cause damage.

ESD damage can range from subtle performance degradation to complete device failure. Precision integrated circuits may be more susceptible to damage because very small parametric changes could cause the device not to meet its published specifications.

PACKAGE INFORMATION

| MODEL | PACKAGE | PACKAGE DRAWING NUMBER ⁽¹⁾ |
|---------|-------------|---------------------------------------|
| OPT301M | 8-Pin TO-99 | 001-1 |

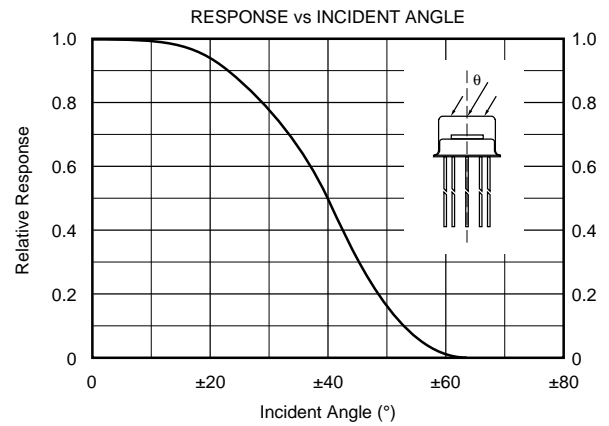
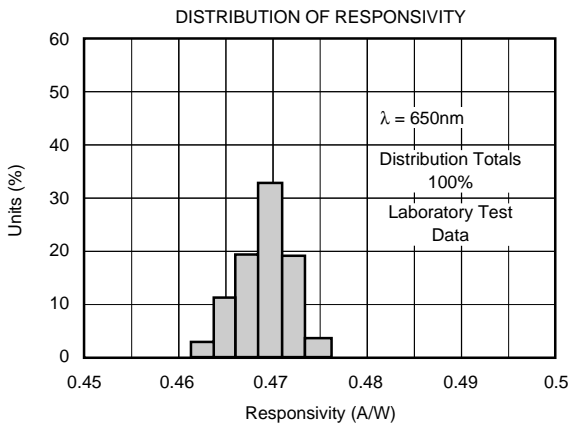
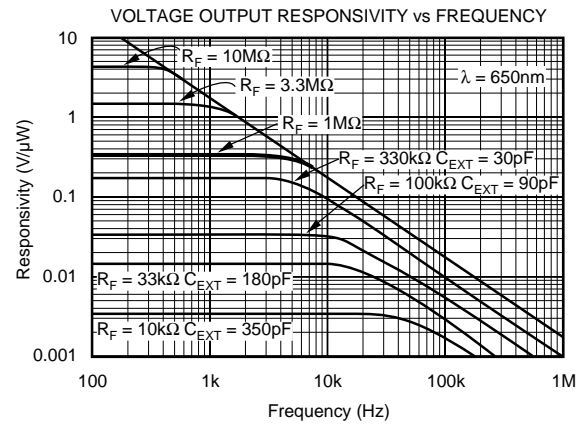
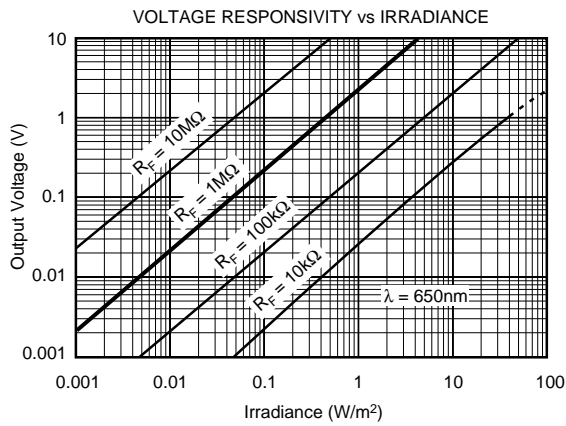
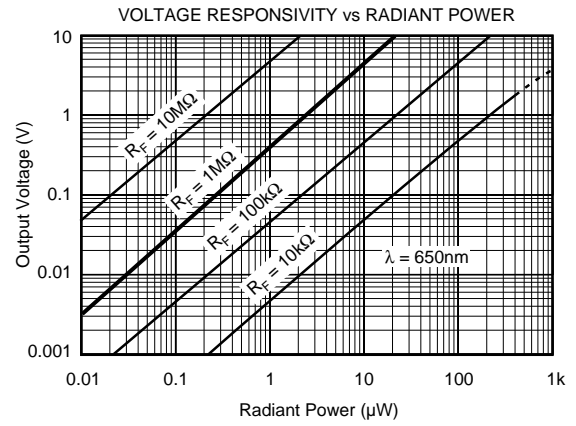
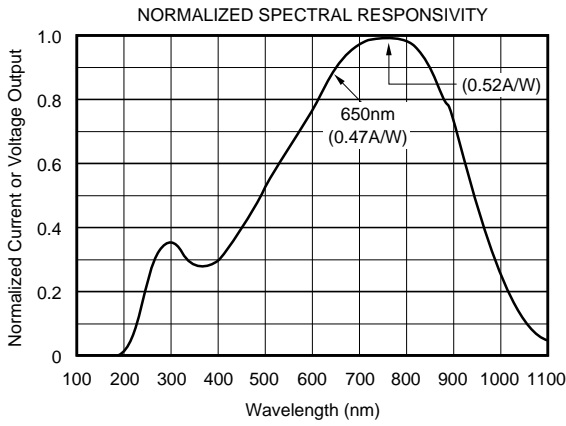
NOTE: (1) For detailed drawing and dimension table, please see end of data sheet, or Appendix D of Burr-Brown IC Data Book.

ABSOLUTE MAXIMUM RATINGS

| | |
|---|----------------------|
| Supply Voltage | \pm 18V |
| Input Voltage Range (Common Pin) | \pm V _S |
| Output Short-Circuit (to ground) | Continuous |
| Operating Temperature | -55°C to +125°C |
| Storage Temperature | -55°C to +125°C |
| Junction Temperature | +125°C |
| Lead Temperature (soldering, 10s) | +300°C |

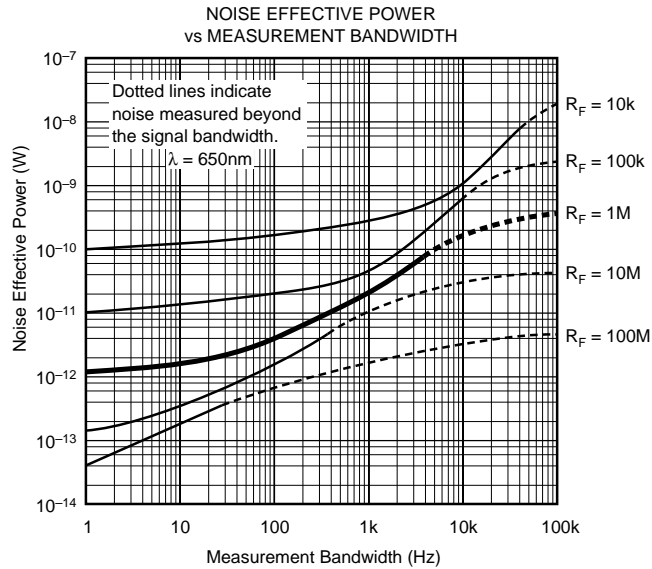
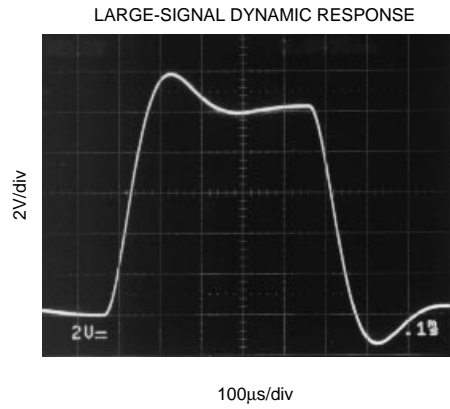
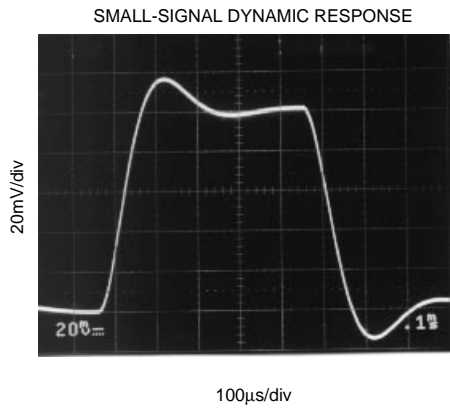
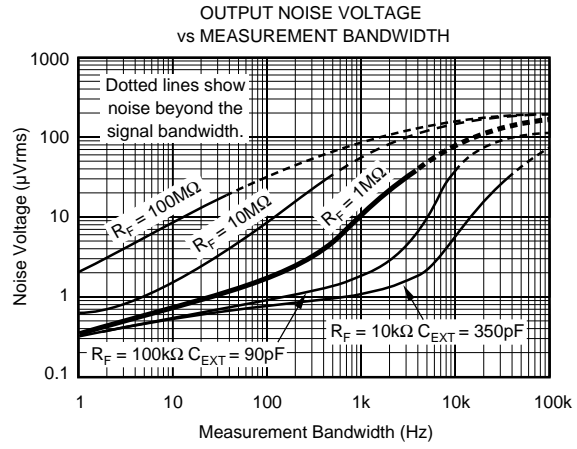
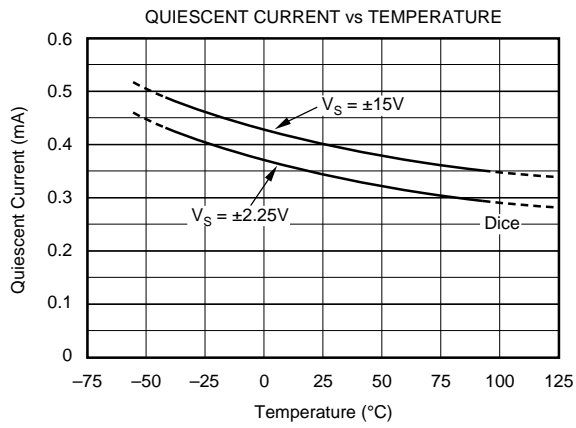
TYPICAL PERFORMANCE CURVES

At $T_A = +25^\circ\text{C}$, $V_S = \pm 15\text{V}$, $\lambda = 650\text{nm}$, unless otherwise noted.



TYPICAL PERFORMANCE CURVES

At $T_A = +25^\circ\text{C}$, $V_S = \pm 15\text{V}$, $\lambda = 650\text{nm}$, unless otherwise noted.



APPLICATIONS INFORMATION

Figure 1 shows the basic connections required to operate the OPT301. Applications with high-impedance power supplies may require decoupling capacitors located close to the device pins as shown. Output is zero volts with no light and increases with increasing illumination.

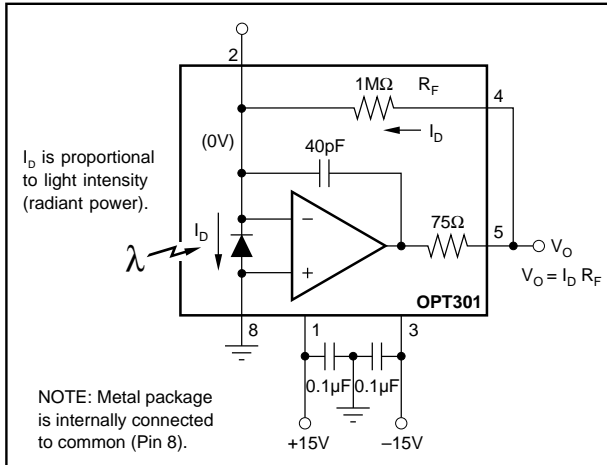


FIGURE 1. Basic Circuit Connections.

Photodiode current, I_D , is proportional to the radiant power or flux (in watts) falling on the photodiode. At a wavelength of 650nm (visible red) the photodiode Responsivity, R_P , is approximately 0.45A/W. Responsivity at other wavelengths is shown in the typical performance curve “Responsivity vs Wavelength.”

The typical performance curve “Output Voltage vs Radiant Power” shows the response throughout a wide range of radiant power. The response curve “Output Voltage vs Irradiance” is based on the photodiode area of $5.23 \times 10^{-6} \text{m}^2$.

The OPT301’s voltage output is the product of the photodiode current times the feedback resistor, ($I_D R_F$). The internal feedback resistor is laser trimmed to $1\text{M}\Omega \pm 2\%$. Using this resistor, the output voltage responsivity, R_V , is approximately $0.45\text{V}/\mu\text{W}$ at 650nm wavelength.

An external resistor can be used to set a different voltage responsivity. For values of R_F less than $1\text{M}\Omega$, an external capacitor, C_{EXT} , should be connected in parallel with R_F (see Figure 2). This capacitor eliminates gain peaking and prevents instability. The value of C_{EXT} can be read from the table in Figure 2.

LIGHT SOURCE POSITIONING

The OPT301 is 100% tested with a light source that uniformly illuminates the full area of the integrated circuit, including the op amp. Although all IC amplifiers are light-sensitive to some degree, the OPT301 op amp circuitry is designed to minimize this effect. Sensitive junctions are shielded with metal, and differential stages are cross-coupled. Furthermore, the photodiode area is very large relative to the op amp input circuitry making these effects negligible.

If your light source is focused to a small area, be sure that it is properly aimed to fall on the photodiode. If a narrowly focused light source were to miss the photodiode area and fall only on the op amp circuitry, the OPT301 would not perform properly. The large (0.090 x 0.090 inch) photodiode area allows easy positioning of narrowly focused light sources. The photodiode area is easily visible—it appears very dark compared to the surrounding active circuitry.

The incident angle of the light source also affects the apparent sensitivity in uniform irradiance. For small incident angles, the loss in sensitivity is simply due to the smaller effective light gathering area of the photodiode (proportional to the cosine of the angle). At a greater incident angle, light is reflected and scattered by the side of the package. These effects are shown in the typical performance curve “Response vs Incident Angle.”

DARK ERRORS

The dark errors in the specification table include all sources. The dominant error source is the input offset voltage of the op amp. Photodiode dark current and input bias current of the op amp are approximately 2pA and contribute virtually no offset error at room temperature. Dark current and input bias current double for each 10°C above 25°C . At 70°C , the error current can be approximately 100pA. This would produce a 1mV offset with $R_F = 10\text{M}\Omega$. The OPT301 is useful with feedback resistors of $100\text{M}\Omega$ or greater at room temperature. The dark output voltage can be trimmed to zero with the optional circuit shown in Figure 3.

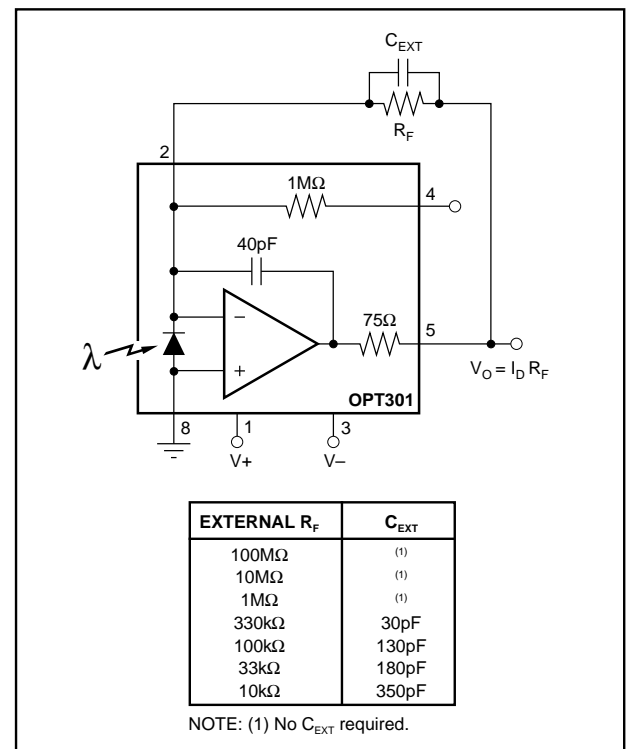


FIGURE 2. Using External Feedback Resistor.

When used with very large feedback resistors, tiny leakage currents on the circuit board can degrade the performance of the OPT301. Careful circuit board design and clean assembly procedures will help achieve best performance. A “guard trace” on the circuit board can help minimize leakage to the critical non-inverting input (pin 2). This guard ring should encircle pin 2 and connect to Common, pin 8.

DYNAMIC RESPONSE

Using the internal 1MΩ resistor, the dynamic response of the photodiode/op amp combination can be modeled as a simple R/C circuit with a -3dB cutoff frequency of 4kHz. This yields a rise time of approximately 90μs (10% to 90%). Dynamic response is not limited by op amp slew rate. This is demonstrated by the dynamic response oscilloscope photographs showing virtually identical large-signal and small-signal response.

Dynamic response will vary with feedback resistor value as shown in the typical performance curve “Voltage Output Responsivity vs Frequency.” Rise time (10% to 90%) will vary according to the -3dB bandwidth produced by a given feedback resistor value—

$$t_R \approx \frac{0.35}{f_C} \quad (1)$$

where:

- t_R is the rise time (10% to 90%)
- f_C is the -3dB bandwidth

LINEARITY PERFORMANCE

Current output of the photodiode is very linear with radiant power throughout a wide range. Nonlinearity remains below

approximately 0.02% up to 100μA photodiode current. The photodiode can produce output currents of 1mA or greater with high radiant power, but nonlinearity increases to several percent in this region.

This excellent linearity at high radiant power assumes that the full photodiode area is uniformly illuminated. If the light source is focused to a small area of the photodiode, nonlinearity will occur at lower radiant power.

NOISE PERFORMANCE

Noise performance of the OPT301 is determined by the op amp characteristics in conjunction with the feedback components and photodiode capacitance. The typical performance curve “Output Noise Voltage vs Measurement Bandwidth” shows how the noise varies with R_F and measured bandwidth (1Hz to the indicated frequency). The signal bandwidth of the OPT301 is indicated on the curves. Noise can be reduced by filtering the output with a cutoff frequency equal to the signal bandwidth.

Output noise increases in proportion to the square-root of the feedback resistance, while responsivity increases linearly with feedback resistance. So best signal-to-noise ratio is achieved with large feedback resistance. This comes with the trade-off of decreased bandwidth.

The noise performance of a photodetector is sometimes characterized by Noise Effective Power (NEP). This is the radiant power which would produce an output signal equal to the noise level. NEP has the units of radiant power (watts). The typical performance curve “Noise Effective Power vs Measurement Bandwidth” shows how NEP varies with R_F and measurement bandwidth.

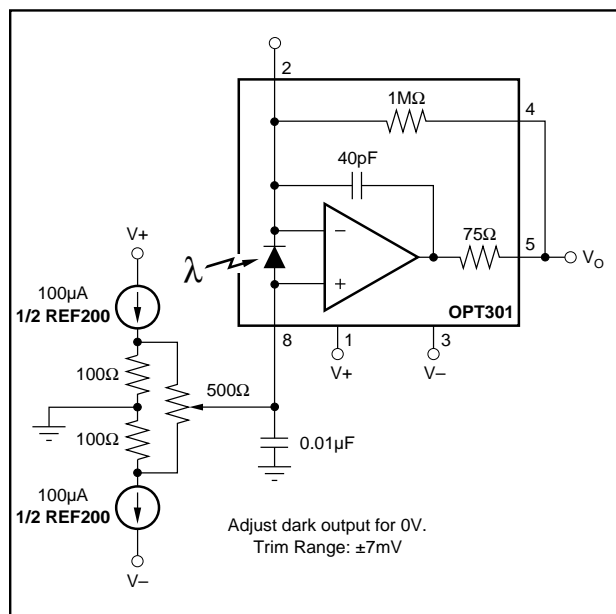


FIGURE 3. Dark Error (Offset) Adjustment Circuit.

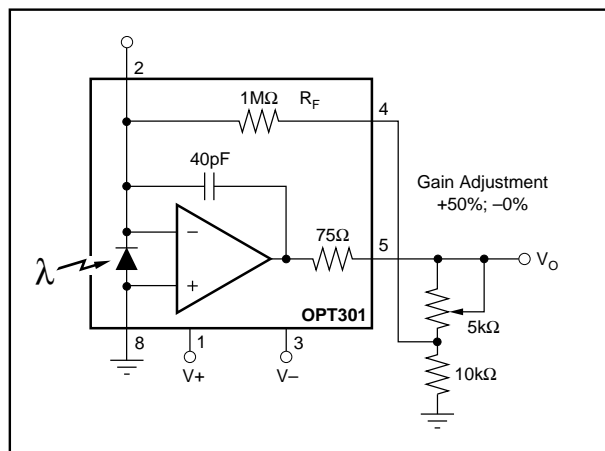


FIGURE 4. Responsivity (Gain) Adjustment Circuit.

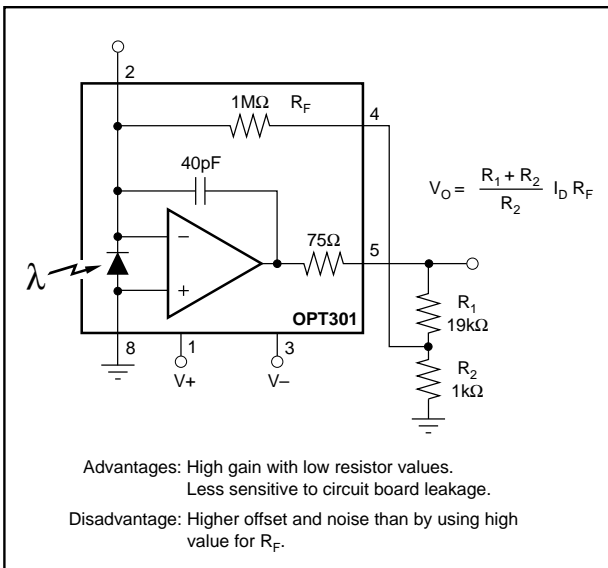


FIGURE 5. "T" Feedback Network.

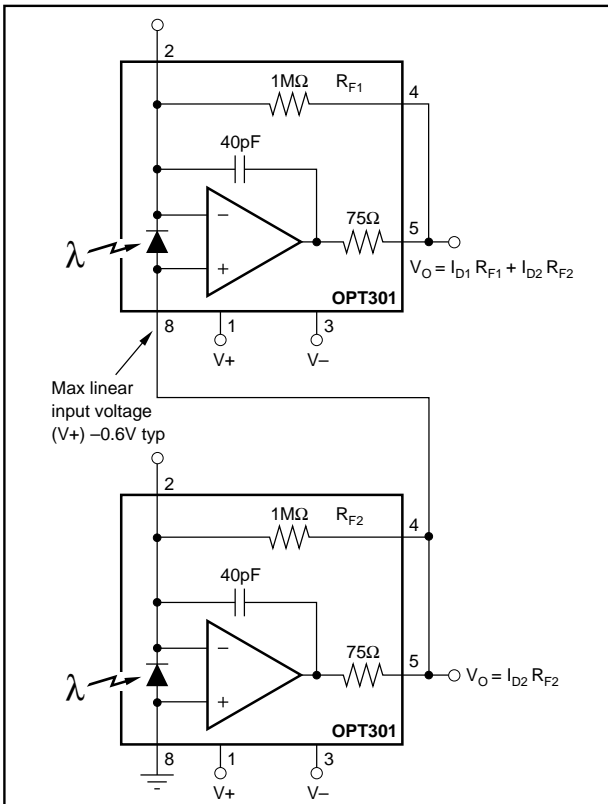


FIGURE 6. Summing Output of Two OPT301s.

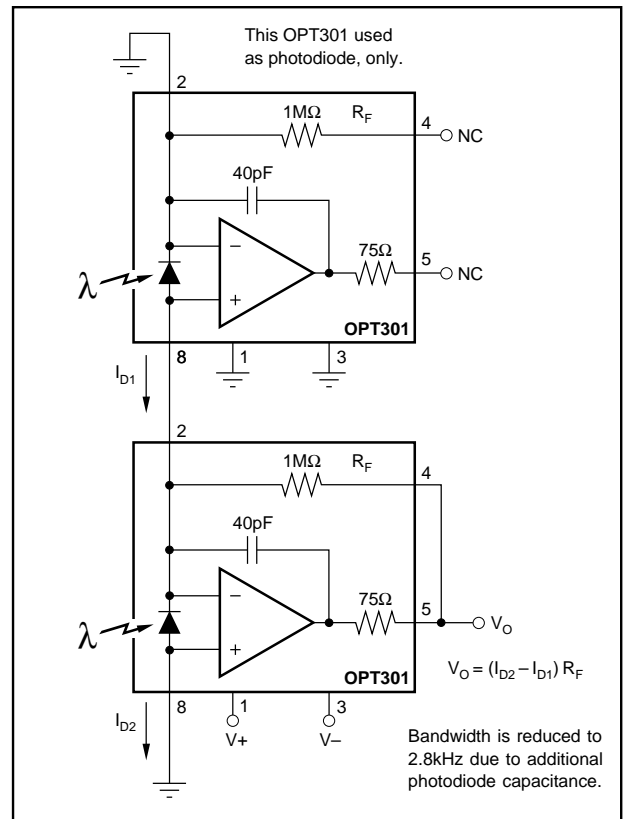


FIGURE 7. Differential Light Measurement.

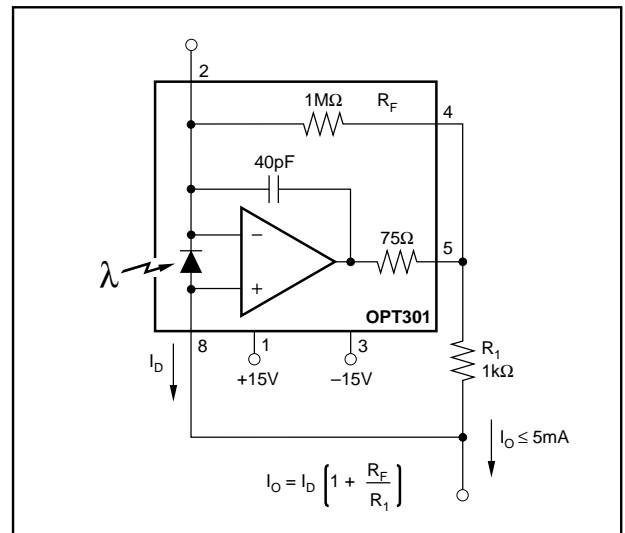


FIGURE 8. Current Output Circuit.

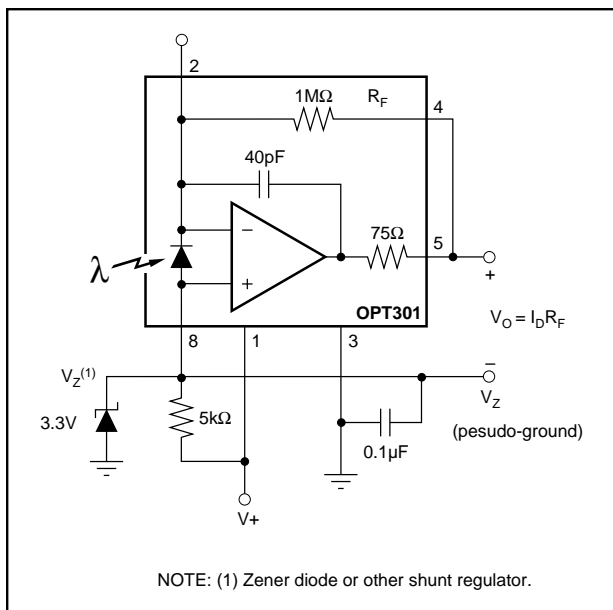


FIGURE 9. Single Power Supply Operation.

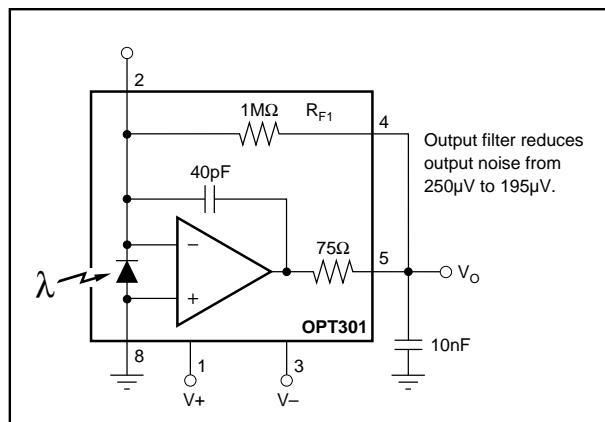


FIGURE 10. Output Filter to Reduce Noise.

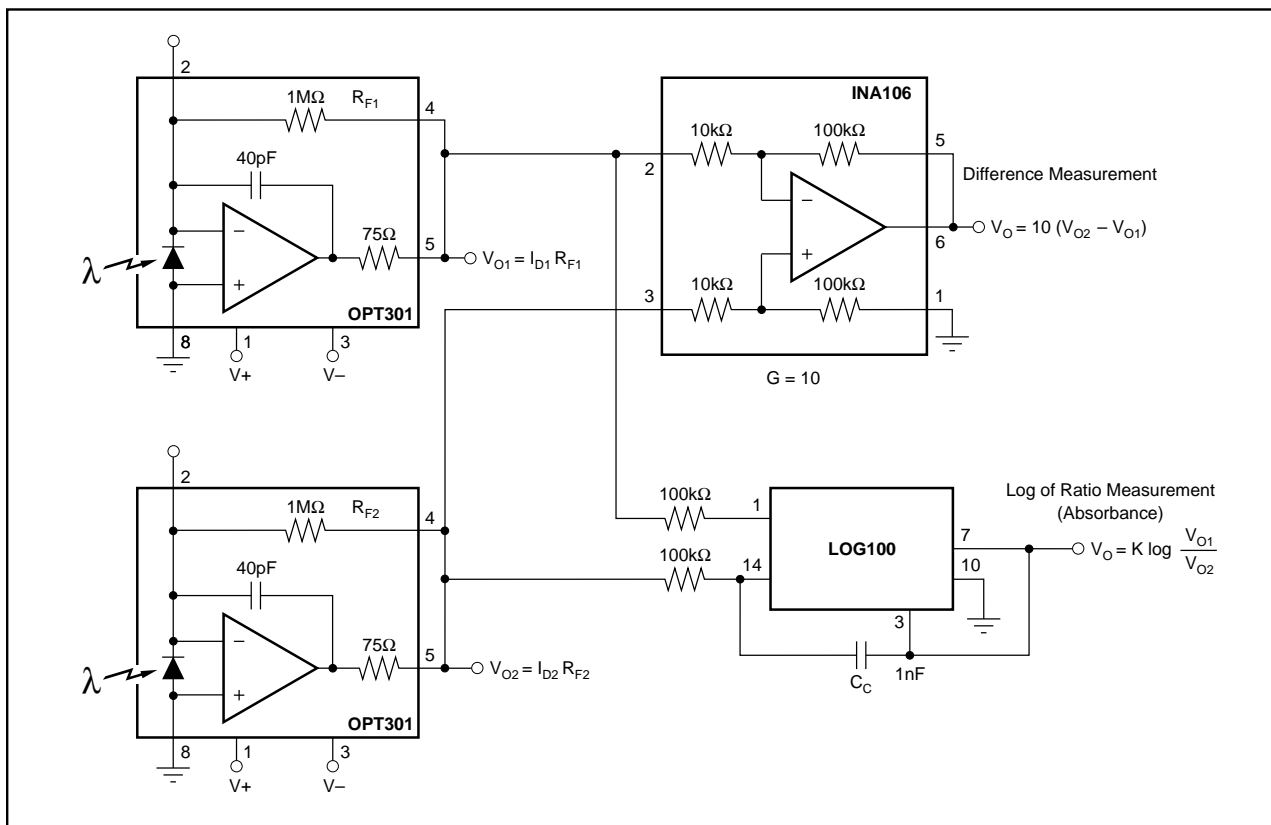


FIGURE 11. Differential Light Measurement.

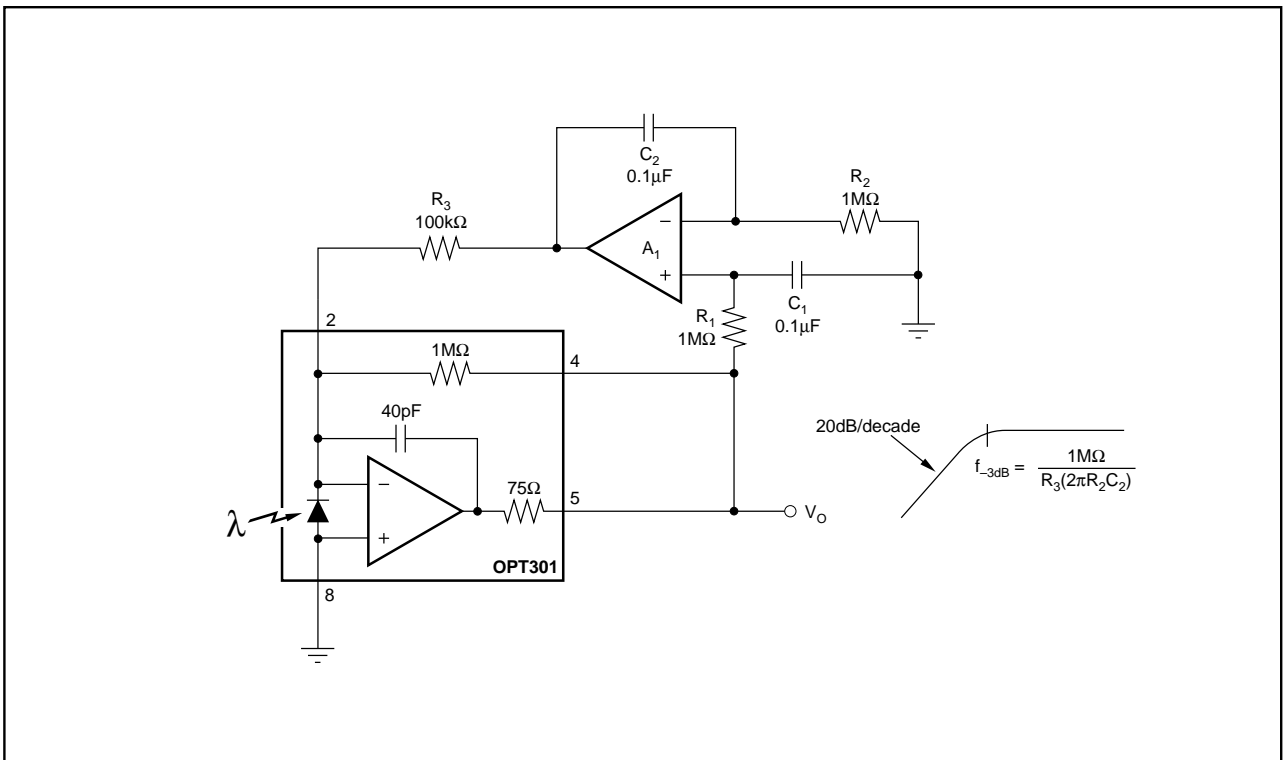


FIGURE 12. DC Restoration Rejects Unwanted Steady-State Background Light.

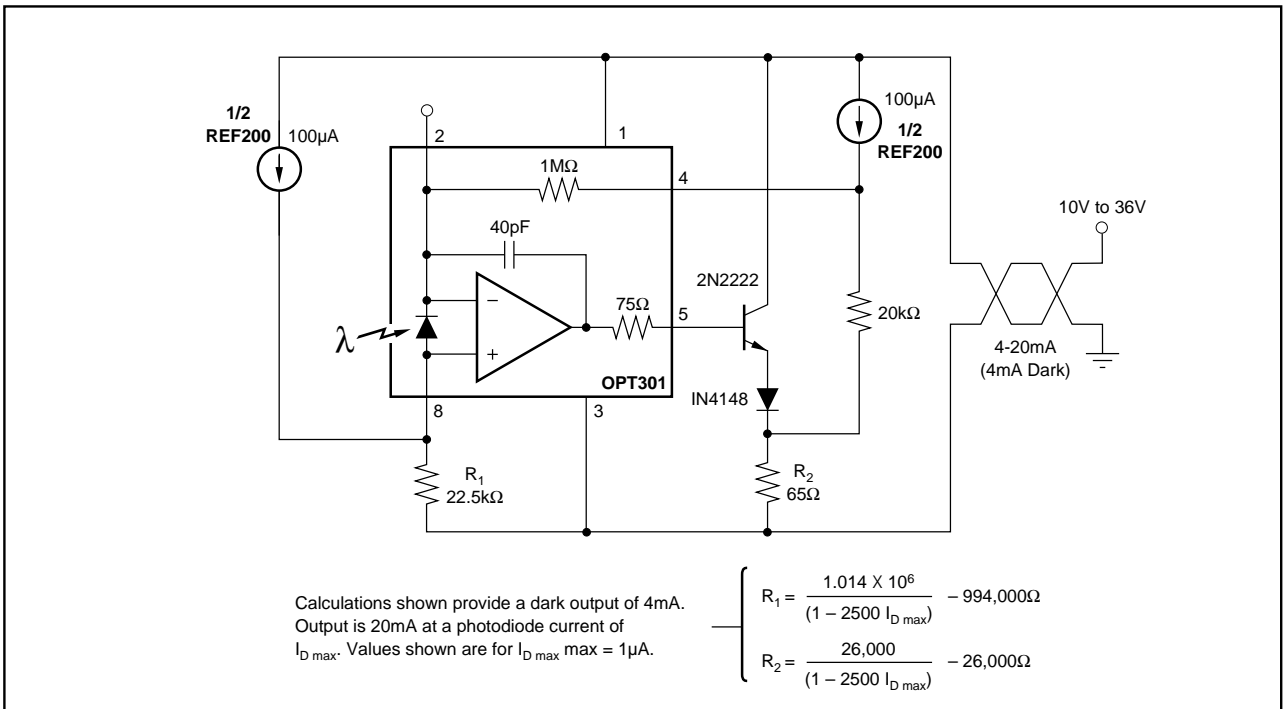


FIGURE 13. 4-20mA Current-Loop Transmitter.