



The Pasadena Radio Club *March 2009* Bulletin

James Shebl of FEMA Talks About Disaster Recovery



Pasadena Marathon Special Event Station

This Sunday, March 22nd

Come on out to help us make HF contacts and celebrate the first marathon on Pasadena's streets! This is to be the first of several in-the-field radio events planned for the Club.

The date is this Sunday (*before the club meeting date*). Hours of operation begin with equipment setup at 5:30 AM and end at 2:00 PM.

Our operating location is still to be determined, so monitor the W6MPH repeater for information or call Peter Fogg at 626-797-9125.

An HF station is to be provided, and bring your HT for more fun. Bringing along a sack lunch and beverage would be a good idea. Stop by!

W6MPH Repeater

The "TELCO" repeater has experienced problems recently. As of this writing, it is working fine again, but could become intermittent again.

Bill assures us that he has the resources to get it back up to snuff, pending available time for trouble shooting and repair or replacement of components.

Although several of you have offered to help, access to the site is pretty much limited to authorized AT&T employees.

Meanwhile, if you have difficulty getting through, just switch to simplex on the output frequency and go to high power. That means 145.180 MHz (*no shift*) and PL 156.7 Hz. You already have both repeater and simplex settings saved in adjacent memories in your radio, don't you?



James Shebl is an External Affairs Officer for the U.S. Department of Homeland Security's Federal Emergency Management Agency. He is responsible for public affairs, congressional affairs, community relations, media relations, products and planning, the news desk, intergovernmental and tribal affairs. He is an advisor to the federal coordinating officer.

He has been with the agency for ten years.

Through a great deal of education [Ph.D.] and very much practice, Shebl is an academic. He has published a number of monographs and books, three of which are in the Library of Congress; and, a great many articles on subjects ranging from literary criticism and history to local history to corporate history. He presently has two manuscripts near completion.

Shebl lives with his wife and dog Ponto in Carlsbad, California . . .several miles from his daughters and their families.

Tuesday night, our guest will give us an inside look at the business of disaster recovery. It is at times horrific, sad, maddening, happy and satisfying. Occasionally, it is humorous.

General Meeting Room Adjustments

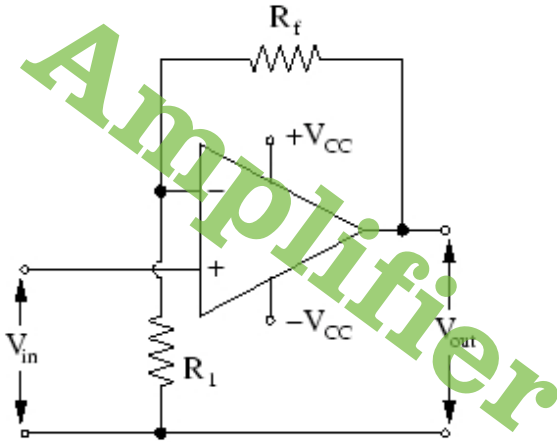
Hello Fellow Members, as many of you know, there is now a dance group that meets in room 1D from 6 PM to 7PM. We want to be good neighbors and not bother them - or try to get into the room early - prior to 7 PM - unless they leave early.

Please keep these points in mind

- * DO NOT wait in the hall near the room.
- * Please wait in the main Lobby until 7 PM
- * Or whenever the room is empty
- * Setup will begin at 7 PM
- * The meeting will begin when the room is ready

- Many thanks from your Board of Directors.

The Presidential



by Tom Berne, W6TAG



I have so far limited this column to encouraging participation in club activities, but I believe that there is a pursuit involving amateur radio that PRC members should consider making an important part their individual amateur radio experience. That is emergency radio communications or EmComm for

short. There are several reasons I think this is important, and the first is that the FCC, which “loans” us the radio frequency allotments we hams enjoy, thinks it is important. The very first reason given in their regulations governing the Amateur Radio Service (Part 97) makes it very clear why they put up with us:

97.1 Basis and purpose: The rules and regulations in this Part are designed to provide an Amateur Radio Service having a fundamental purpose as expressed in the following principles:

(a) *Recognition and enhancement of the value of the Amateur Service to the public as a voluntary noncommercial communication service, particularly with respect to providing emergency communications...*

There is plenty of competition for our frequencies. Recently there has been an FCC mandated power reduction to 70 cm repeaters in Massachusetts and California because the Department of Defense needs those frequencies for special national security radar. Also, it was not too far back that they shaved off the bottom two megs of the 1.25 meter band and gave them to commercial interests. Count on it...the pressure to do more shaving will grow!

The other big reason is that our communities need us. Why? It seems that lately, on nearly a monthly basis, we have had fire and mudslide threats or events which have activated or put on stand-by Amateur Radio EmComm units in our area. Recently I was in Australia where they lost over 200 lives due to wildfires near Melbourne in just a few days. One of their problems was inadequate emergency communications. Urban encroachment by wildfire is probably a bigger risk than we generally recognize, particularly in an area like Pasadena.

Also, by now we should all know that “the big one” is way overdue. Recent scientific reports all indicate that: “The San Andreas Fault, which snakes uncomfortably close to Los Angeles and other large cities along much of California’s length, has been relatively quiet for the past 148 years. The geologists have determined the probability that the lull will end in the next 30 years. Depending on the model, the next rupture — which will likely affect a substantial portion of the fault line — may be one great earthquake (magnitude greater than 8) or a series of large earthquakes. (www.msnbc.msn.com/id/7832219)”. If you want to see what is potentially facing us in California go to www.shakeout.org/resources/videos.html for a rude awakening. My point is that amateur radio EmComm support is not only already needed often, but someday soon, quite suddenly, it may be needed to save lives in our own neighborhoods.

So what can we do about it? A lot of our members already have done something and joined EmComm groups. It is not for everybody. That might be because maybe it just doesn’t appeal to you, possibly you have commitments which preclude your participation, or you have been there/done that...but if those kinds of things are not a problem you should explore membership in one of several local EmComm groups. There are several options, so I have listed them and given the name of a member in our club willing to explain and help you get started: (1) The Los Angeles County Disaster Communications Service (Sheriff’s Dept.) www.lacdc.com Pamela Royce, W6PNW; (2) if you live in the City of Los Angeles the similar group is the LA Fire Department’s Auxiliary Communications Service www.lafd.org/acs.htm, John Minger, AC6VV; (3) The Amateur Radio Emergency Service (LAX Section of the ARRL, our Club is an affiliate member) <http://www.arrl.org/sections/LAX.html> and <http://www.areslax.org> Rosalyn Rich, AE6WT. I have included the websites for you to look at for information about what each organization does and get instructions on how to join.

Finally the one big EmComm event we do as a club each year is Field Day (6/27-28/09). Participation in that event is not only one hell of a lot of fun, it polishes the skills used in EmComm work no matter which disaster management team you might work with. I encourage everyone to participate in planning, set-up and operation of our stations! Contact Peter Fogg, KA6RJF, our Field Day Chairman.

Sub-audible Tomes

Bruce Nolte, N1BN



Recently I was surfing the Forums at qrz.com and found this interesting posting from Patrick Bunsold, WA6MHZ (great call sign by the way). WA6MHZ explains how that if you were licensed prior to 1989 and active on the HF bands that you probably had a serious source of QRM to contend with. And best of all he gave a link to several interesting photos. 73 N1BN

Go to this site for more info: <http://www.artificialowl.net/2008/12/abandoned-giant-duga-3-system-antenna.html>

And while you are at www.artificialowl.net check out their site for more interesting relics of modern man.

From www.qrz.com

What NEW HAMS don't have to put up with...

"All you Newbies are so lucky!! Though we have rotten sunspot conditions, that will get better. But back in the 70s thru 1989, HF Hams had to deal with the most horrendous QRM imagineable!!! SO BAD that many radio manufacturers built special circuits into new radios to try and counteract it.

It was the Russian Woodpecker, an Over the horizon radar that would just WASTE the HF Ham bands, especially 20 meters.



Here are some pics of the Antenna farm of the now Defunct setup. You think you have a big antenna? This must have cost Millions, if not Billions to build! And they ran a 10 Megawatt transmitter into it. It jammed all sorts of worldwide communications until the enough pressure was placed on the Russian government to turn it off. Maybe the fall of the Berlin wall had something to do with it. But when it was on, QSOs were just NOT POSSIBLE, even with loud stations. OH, those were the days! Back when DXing was HARD! Bet some UA Hams would love to hook a transceiver to this antenna. Think of the DB GAIN!!!! WOW, no problem winning a contest with THIS antenna!! " (WA6MHZ)

This gigantic antenna system called Duga-3 is located near Prypiat in the Chernobyl area.

It was built in the 70's as an early missile detection system (over-the-horizon radar system). It was also called the Steel Yard hence its distinctive appearance. The antenna was deactivated in 1989.



Crown City HF

Tom Berne, W6TAG

Antennas and Things that Make them Work

This topic is potentially huge! There are tons of books and articles written every year about antennas covering feed lines, tuners, towers, grounding, and the many different configurations and accessories available to an amateur radio operator. So, I need to remind you that these “Crown City HF” articles are being written largely for hams who are new to HF activity. Hence we will stick with the basics. I will avoid any complicated charts or math and try to talk about equipment that is simple and “affordable”. Hopefully you will try to put together your own antenna system(s). Making antennas is one of things which most hams can do to feel the thrill that comes with building and successfully using your own equipment.

It seems logical to start this new direction with a look at how we connect our transceiver to our antenna. Until later in this series, when we cover mobile antennas, we will assume that you have a corner of your bedroom or a closet or, best of all, a room in your home devoted to amateur radio which I will refer to as your “shack”. Your HF transceiver (we will call it your “rig”) is 100 feet from where it will connect to your antenna (its “feedpoint”) so you need some efficient and safe way to get RF energy from one to the other. So you need to connect them together using a “feed line” (“transmission line” or “feeder”). For the vast majority of amateur radio applications we use coaxial cable (“coax”) for that purpose. OK, there are other kinds of transmission lines; the second most often used in HF work being balanced open (twin) wire lines. But the vast majority of hams use coax. We will come back to the other options later and for now we will focus on coax while we go through the steps to get up a few relatively simple antenna systems.

You all know what coax is. Typically it is round black cable, about ¼ to ½ inch in diameter with a vinyl jacket and reasonably flexible. Just inside the jacket is what is variously called either the “shield” or “outer conductor” (often braided copper). Inside that is usually a center conductor made of wire and separating the two conductors is most often an insulating thick layer of polyethylene. An important advantage of coax is that it can be coiled and placed close to metal objects without degrading its performance. Coax may have slightly more power “loss” than, for instance an open parallel conductor,



but at HF frequencies it is a minor problem. Coax is not only easy to put up, it is also readily available in various configurations, commonly “matches” both your transceiver and antenna, and is reasonably priced for HF applications.

Next we will expand on feed line “losses”, the importance of “matching” and why power and frequency matter. Then we will then pick the right coax for our hypothetical “Crown City HF shack”.

Proposed Change to Club’s Bylaws

This month the membership of the club will be asked to vote on a proposed change to the club’s bylaws, reducing the amount of annual dues. Below is the proposed text of Article VII of our bylaws with deleted text shown in ~~striketrough~~ type and newly added text shown in **underlined bold** type.

Article VII: Dues and Fees

Section 1: Membership dues shall be ~~\$30.00 (thirty)~~ **\$20.00 (twenty)** dollars per year. Licensed amateurs in the same household may apply to the board for membership at no additional cost.

Section 2: Full time regular students may apply to the board for membership at ~~\$15.00 (fifteen)~~ **\$10.00 (ten)** dollars per year.

Section 3: Dues are payable on January 1 (first) and become delinquent after April 1 (first) wherein the mailing of the Bulletin to the delinquent household will cease.

Section 4: First time members joining between January and April shall pay 100% of the annual dues; May through August shall pay 75%; September through December shall pay 50%.

Renew Your Membership !

The board has proposed a reduction in the annual club dues price. If the motion passes at this week’s general meeting, the new rates will be only \$20 for individuals or families and \$10 for full time students living away from home. If you have already paid at the old rate, the treasurer will refund the difference. The deadline is April 1st. No Fooling!

PRC Member Profile

Brian Irish, WA6GLJ

Brian Irish, WA6GLJ, was born in Los Angeles and raised in San Gabriel. Brian graduated from San Gabriel High in 1973 and from L.A. Trade Tech in 1975. Brian's profession was Electronic Technician. Brian served in the U.S. Navy Reserves for many years, reaching the rank of Petty Officer First Class. In 1979 he served aboard the USS Kitty Hawk in Air Antisubmarine Warfare Squadron 21. He and his wife, Judy, were introduced to each other by his Mother. Judy and his Mom worked together as nurses at San Gabriel Community Hospital (now San Gabriel Valley Medical Center). Brian and Judy have been married for over 27 years and have one son, Nicholas, 25 years old. They live in San Gabriel.



I got interested in Ham radio in 1969 when I was about 14 years old. My Dad was a Ham (K6HEF) and he belonged to the Ramona Radio Club. The Ramona Radio Club was holding a Novice licensing class. I received my Novice license in June of 1969 with the call WN7GLJ. I now hold an Extra Class license and am an accredited Volunteer Examiner. I studied on my own for the Extra, but attended the class for my first license as a Novice.

My main interest in Ham radio is working with antennas. I am also interested in Emergency Communications. I belong to the KPARN Group at

Kaiser. I'm not a contester, but I would like to try my hand at November Sweepstakes sometime.

I heard about the Pasadena Radio Club as a member of the Monterey Park Amateur Radio Club when I was in high school and we would visit other clubs. I have been a member of the Pasadena group since 2003.

I would like to learn as much about Ham radio as I can. I have been on HF and just a while back I decided to get on HF using CW. After calling CQ, a rather loud station came back to me. It was a California Ham, but I thought he was from Northern California. I told him my QTH was San Gabriel and he told he his QTH was Alhambra. We exchanged QSL cards just for fun.

Ham radio prepared me to work in the Electronics industry and I see it as an enjoyable hobby that is also a learning experience.

Pets? I have two cats.

My wife is not a Ham, doesn't want to be one, but she supports my interest in radio. We also enjoy camping as a hobby.

As for how I got involved with being a Board Member of PRC, Peter Fogg asked me and I said "Yes". I enjoy being part of the Board and would most definitely recommend it to the other members.

Brian has been a member of the Pasadena Radio Club's Volunteer Examiner Team for several years and has made a number of trips up into the mountains to participate in testing the people up at Wrightwood. He is a valued member of the group. He says he enjoys being a Board Member and recommends it to anyone in our club who wishes to see how our club is run and what problems and successes it enjoys. Try it sometime!

-Merrie Suydam, AB6LR



A Really Hot Antenna



Hal, KF6RRR, discovered the perfect place to put mag-mounted Hamstick antenna on his roof by experimenting. He discovered that it worked when mounted atop the A/C-heating unit for the house. But it proved to work *even better* from the top of the heat exhaust vent of the A/C - heating unit.

He had a successful QSO on 20 meters with friend Bruce Brown, KI5TE, in Lawton Oklahoma. It worked really great!

However, the very next week, he was unable to hear anything from the antenna. Climbing atop the roof again, he discovered the problem. Hamsticks don't really like to be HOT-Sticks. See the second photo.



Hal Frank, KF6RRR, will host our March Refreshments

General Ham License Class

Mark, W6MES, will teach an upgrade class for the General Class Ham License soon. If you are interested, contact him at [w6mes at arrl dot net](mailto:w6mes@arrl.net) or 818-430-5244 *ASAP*.

PRC Bulletin Online

<http://www.qsl.net/w6ka/>

Got a Badge?



The club uses two types of name/callsign badges.

1. Engraved plastic: this type is optional and will cost you a few dollars. The engraved one you keep yourself and bring to meeting.

2. Laminated: included with membership. Laminated badges are stored on the rope that is brought to meetings.

If you don't have one style or the other, please let me know. We will make arrangements. Email me, Bruce, at ([n1bn at charter dot net](mailto:n1bn@charter.net)).

Made
on a Mac



President Tom Berne	W6TAG berne at usc dot edu 323-665-6289
Vice President Pamela Royce	W6PNW 626-285-8987
Secretary Bruce Nolte	N1BN n1bn at charter dot net
Treasurer Mark Seigel	W6MES w6mes at arrl dot net 818-430-5244
Members At Large Fred Lopez Brian Irish Ralph Williams	KG6GTL WA6GLJ KI6SXP
Past Officers Peter Fogg Bruce Nolte Harry Brumer Cynthia Berne	KA6RJF N1BN K7IB N6NCE
Education Chair Mark Seigel	W6MES w6mes at arrl dot net 818-430-5244
VE Team Liaison Merrie Suydam	AB6LR ab6lr at arrl dot net (626) 969-4409
Club Net Mike Dinko	KF6FEM 626-797-8082
Bulletin Editor John Minger	AC6VV ac6vv at arrl dot net 323-256-0046

Do you have a generator we might use at Field Day? Please let Peter know, plus how large it is, how noisy it is, and how clean its output power is.

My apologies to all for the slip-up that made last month's Bulletin late. The board felt that voting on the proposed bylaw change required more notice, so that vote will take place this Tuesday.

This edition falls between **St. Patrick's Day** and **April Fool's Day**. You might find something from both of them, the latter one appearing in the online version of the bulletin. Meeting minutes will also migrate back into the bonus pages of the online version to conserve print space.

-John, AC6VV

The Pasadena Radio Club meets the fourth Tuesday of each month at 7:00 p.m. in the Kaiser Permanente Walnut Center, located at 393 East Walnut Street, at the corner of Los Robles Avenue in Pasadena. Enter the parking structure at the Los Robles Avenue entrance and mention "Pasadena Radio Club". Everyone is welcome to attend. Please sign in at the front desk and security will direct you to the meeting room.

Membership in the Pasadena Radio Club is open to anyone interested in Amateur Radio. **Dues are \$30* per year, \$15* for students.** Request a membership application at the club's mailing address, on the club website, www.qsl.net/w6ka, or in person at the monthly meeting.

The Pasadena Radio Club, W6KA, conducts a weekly net every Tuesday night, except on meeting nights, at 7:00 p.m. The frequency is 145.180 MHz (-) PL 156.7. All licensed amateurs are invited to participate.

The club has a packet station on 145.630 and on 223.600 (cross-band capable) with a PBBS of W6KA-10 and a node name of MIRDOR.

There is an unofficial Yahoo Group for club members at <http://groups.yahoo.com/group/PRC-Club/>. All members are invited to join as this allows for rapid dissemination of information to members via e-mail.

Bulletin Submissions: please submit any articles or ideas for future articles via e-mail to AC6VV at arrl dot net, please include "PRC" in the Subject line. Any other modes of submission may be arranged in advance on an individual basis. Submissions are due by the Friday after the board meeting.

Permission is granted to use articles in this issue as long as "Pasadena Radio Club Bulletin" is credited.

Please submit any address or e-mail changes to the Treasurer.

***These amounts may change to \$20 and \$10, pending a vote by the membership at the March 24th meeting.**


We can take your files on disk or via e-mail



FAST, FRIENDLY SERVICE
FOR YOUR COPYING, PRINTING
& MARKETING NEEDS
MAILING SERVICES, TOO

DIGITAL • COLOR • BOOKLETS • FORMS • NEWSLETTERS
QUICK TURNAROUND ON BUSINESS CARDS

10034 Commerce Avenue IN HISTORIC OLDE TOWNE TUJUNGA
www.cmprintmail.com (818) 353-7135



WESCOM
Credit Union

Better Banking for Southern California
123 S Marengo Ave., Pasadena
<http://www.wescom.org/>

Thank You



KAISER PERMANENTE®
for your support of The Pasadena Radio
Club, and amateur radio hospital
emergency communications



A-AMERICAN SELF STORAGE

Over 30 Years of Customer Satisfaction
We Know Self Storage!

511 S. Fair Oaks Ave.
Pasadena
626-744-3200


Tuesday, FEMA's James Shebl Talks About Disaster Recovery

In This Issue

- Page 1 Speaker, Marathon, W6MPH, Meeting Room Adjustments
- Page 2 The Presidential Amplifier,
- Page 3 Sub-audible Tomes
- Page 4 Crown City HF, Bylaw Vote
- Page 5 WA6GLJ Member Profile
- Page 6 Hot Antenna, Name Badges
- Page 7 Ads, Club Information
- Page 8 Club Calendar
- Page 9 - ?? Bonus Material, Online Only



Do you know what this “road sign” means? Look for the answer in *next* month’s issue.

SUNDAY	MONDAY	TUESDAY	WEDNESDAY	THURSDAY	FRIDAY	SATURDAY
Mar 22 Pasadena Marathon	Mar 23	Mar 24 PRC Club Meeting 7:00 pm	Mar 25 Kaiser Net 147.270 Mhz 12:15 pm 52.700 Mhz 12:15 pm 7.228 Mhz 12:45 pm	Mar 26	Mar 27	Mar 28 TRW Swap Meet CQWW WPX/SSB
Mar 29	Mar 30 DCS Seminannual Meeting	Mar 31 PRC Net 7:00 pm 145.180 - PL 156.7	Apr 1 	Apr 2	Apr 3	Apr 4
Apr 4	Apr 6	Apr 7 PRC Net 7:00 pm 145.180 - PL 156.7	Apr 8	Apr 9 Passover	Apr 10 Good Friday	Apr 11
Apr 12 Easter	Apr 13	Apr 14 PRC Net 7:00 pm PRC Board 7:30 pm	Apr 15	Apr 16	Apr 17	Apr 18 Chino Hills HS Swap
Apr 19	Apr 20	Apr 21 PRC Net 7:00 pm 145.180 - PL 156.7	Apr 22 Kaiser Net 147.270 Mhz 12:15 pm 52.700 Mhz 12:15 pm 7.228 Mhz 12:45 pm	Apr 23	Apr 24	Apr 25 TRW Swap Meet
Apr 26	Apr 27	Apr 28 PRC Club Meeting 7:00 pm	Apr 29	Apr 30	May 1	May 2

Bonus Page
(Special for April 1st)

If you believe this, we have a swell bridge to sell you!

Amish man's new miracle idea helps hams work DX like never before!

Miracle Collins S-Line radios being give away free with orders for real Amish radio mantles to launch new invention to boost DX contacts, but Amish craftsmen impose a limit of 2

Saves money: uses more energy than a coffee maker, but with this radio you will never be cold again !

By Mark Wozniak
Universal Media Syndicate

(UMS) Everyone hates high heat bills. But we're all sick and tired of turning down the thermostat and always being cold.

Well now, brand new HEAT SURGE™ miracle heaters are actually being given away free to the general public for the next two days starting at precisely 8:00 a.m. today.

The only thing local readers have to do is call the National Distribution Hotline before the 48 hour deadline with their order for the handmade Amish Fireplace Mantles. Everyone who does is instantly being awarded the miracle heaters absolutely free.

This is all happening to, launch the new HEAT SURGE Roll-n-Glow™ Amish Fireplace that actually rolls from room to room so you can take the heat with you anywhere. That way, everyone who gets them first can immediately start saving on their heat bills.

For the first time ever, portable Amish fireplaces are being delivered directly to the doors of all those who beat the deadline.

These miracle fireplaces have what's being called the 'Fireless Flame' technology that gives you the peaceful flicker of a real fire but without any flames, fumes, smells, ashes or mess. Everyone is getting them because they require no chimney and no vent. You just plug them in.

The Fireless Flame looks so real it fools everybody but it has no real fire. So what's the catch? Well, the soft spoken Amish craftsmen who hand make the mantles are imposing a strict household limit of 2 during the strain of the Christmas rush.

"We can barely keep up ever since we started giving heaters away free. Now that it's really getting cold outside, everyone's trying to get them. Amish craftsmen are working their fingers to the bone to be sure everyone gets their delivery in time for Christmas," confirms Timothy Milton, National Shipping Director.

"These portable Roll-n-Glow Fireplaces are the latest home decorating sensation. They actually give you a beautifully redecorated room while they quickly heat from wall to wall. It's the only way to dress up every room, stay really warm and slash your heat bills all at the same time," says Josette Holland, Home Makeover Expert to the rich and famous.

And here's the best part. Readers who beat the 48-hour order deadline are getting their imported hi-tech miracle heaters free when encased in the real Amish built solid wood fireplace mantles. The mantles are being handmade in the USA right in the heart of Amish country where they are beautifully hand-rubbed, stained and varnished.

You just can't find custom made Amish mantles like this in the national chain stores. That makes the solid oak mantle a real steal for just two hundred ninety-eight dollars since the entire cost of the miracle heater is free.

This free giveaway is the best way to finish all of your holiday shopping, because it's one of the year's hottest Christmas gifts. The HEAT SURGE Roll-n-Glow Fireplace gives you all the beauty and warmth of a built-in fireplace but it can also save you a ton of money on heating bills.

Even people in California and Florida are flocking to get them so they may never have to turn on their furnace all winter. And since it uses less energy than a coffee maker the potential savings are absolutely incredible.

"We are making sure no one gets left out, but you better hurry because entire communities of Amish craftsmen are straining to keep up with Christmas orders. For now, we have to turn away dealers in order to let readers of today's newspaper have two per household just as long as they call before the deadline," confirms Milton.

It's a really smart decision to get two right now because for only the next 48 hours you get both miracle heaters free. That's like putting five hundred bucks right in your pocket and you can save even more money on your monthly heating bills.

"Everyone's calling to get one but those who are getting their shopping done are surprising the whole family by getting two. So when lines are busy keep trying or log onto



GENUINE AMISH MANTLES MADE IN THE USA: Amish craftsman are pleased that Heat Surge officials have provided proof of certification of the covered UL Listing for the miracle heater. Now, everyone wants to save money on heat bills this winter, so entire Amish communities are working from the crack of dawn to finish. These fine solid wood Amish made fireplace mantles are built to last forever. The solid oak mantle is a real steal at just two hundred ninety-eight dollars because all those who beat the order deadline by calling the National Hotline at 1-800-716-2782 to order the fireplace mantles are actually getting the imported hi-tech Fireless Flame HEAT SURGE miracle heaters for free.

amishfireplaces.com. We promise to get to every call. Then we can have a delivery truck out to your door right away with your beautiful Amish made Roll-n-Glow Fireplace," Milton said.

"You'll instantly feel bone soothing heat in any room. You will never have to be cold again," he said.

On the worldwide web: www.amishfireplaces.com

How It Works: The HEAT SURGE miracle heater is a work of engineering genius from the China coast so advanced, you simply plug it into any standard wall outlet. It uses less energy than it takes to run a coffee maker. Yet, it produces an amazing 5,119 BTU's. An onboard Powerful hi-tech heat turbine silently forces hot air out into the room so you feel the bone soothing heat instantly. It even has certification of Underwriters Laboratories covered UL listing and comes with a full year Money Back Guarantee.

UL LISTED

Hot RF comes out

Hi-tech silent heat turbine takes in cold air

How to get 2 free radios

The National Toll Free Hotlines are now open. All those who beat the 48 hour order deadline to cover the Amish made Fireplace Mantles and shipping get the HEAT SURGE miracle heaters free.

They have imposed a strict limit of 2 per household. Since some home woodworkers want to build their own mantle piece, they are letting people get the imported miracle heater alone for just \$249. Or, with the Amish made mantle you get the miracle heater free.

Use the map below to locate the weather zone you live in and call the Hotline number for your zone.



ON THEIR WAY: Christmas orders have turned country roads into pipelines to the big city delivery system. Everybody wants a fireplace that comes fully assembled with a handmade Amish mantle in oak or cherry and gets delivered by truck right to your door. All you do is plug it in.

EVERYONE LIVING IN THE
DX Zone: 1
START CALLING AT
8:00 A.M. TODAY
1-800-716-2782

EVERYONE LIVING IN THE
DX Zone: 2
START CALLING AT
8:30 A.M. TODAY
1-800-504-8089

EVERYONE LIVING IN THE
DX Zone: 3
START CALLING AT
9:00 A.M. TODAY
1-800-704-6467

Rolls anywhere to throw an instant RF wave with no chimney, no vents, no wood and no smoke



EASILY ROLLS ANYWHERE: This is the portable Roll-n-Glow™ Fireplace that easily rolls from bedroom to living room. No vents, no chimney and no tools. Just plug it in.



SAVES ON BILLS: Everyone gets low bills and stays warm and cozy. Naomi Abrams' new Roll-n-Glow Fireplace saves a ton of money and makes her front room look like a million bucks.



SAFE: The Fireless Flame looks so real it fools everybody but there is no real fire. That makes it safe to the touch. It's where the kids will play and the cat and dog will sleep.



FREE: Get this \$249 miracle heater free. It is being given away free to all who beat the 48 hour order deadline for your choice of the oak or cherry Amish Mantles. The free heater comes already encased.

Bonus Page

Pasadena Radio Club Board Meeting Minutes - 1/13/2009

taken by Cynthia Berne, N6NCE

Meeting started at 7:30 PM with the following members in attendance:

President: Tom Berne

Vice President: Pamela Royce

Secretary: absent

Treasurer : Mark Seigel

Board of Directors:

Director-at-large :Fred Lopez

Immediate Past President: Peter Fogg

Immediate Past Treasurer: Harry Brumer

Immediate Past Secretary: Cynthia Berne

Club members:

Bulletin Editor: John Minger

W6KA Station Trustee: Paul Gordon

Ray Overman and Hal Frank

REPORTS

SECRETARY: The Dec. board minutes were approved.

V.P. Pamela announced that the Jan. speaker will be Skip Bolnick, KJ6Y, on Operating from Catalina and the Channel Islands and IOTA. There was a motion that the speaker and the VP may be taken to dinner at Coco,s each month, with the club paying up to \$35 per month. The motion carried.

TREASURER:

Mark Seigel reported a balance of \$4941.74 as of 12/7/08. He asked board members to give him ideas for fund raising ideas for the year.

Peter asked for a reimbursement of \$16.23 the purchase of a club USB thumb drive for use by the Treasurer. The board voted to reimburse him.

Tom will talk to Roz about presenting information on the LA Area Council for Amateur Radio and possible participation in their convention this year.

NEWSLETTER: no report from John.

There was discussion about having the newsletter sent online to save money. One option is the mailing a few hard copies to those without email but perhaps the set up cost is too high to do that. Also it is hard to keep all the email addresses current.

In January we could ask for voluntary donations to offset the newsletter cost. There was not a consensus in favor of going entirely to an e-mail delivery of the bulletin. Mark will do an analysis of the newsletter costs and report at the next board meeting.

NEW BUSINESS:

1. Licensure classes? Mark Seigel said four people want to take the general class. It takes eight weeks and it would be good to have one helper. He will start in Feb. Peter is willing to help with a Technician class. Al Wolff might help with the Extra class. Tom will ask at the general meeting who is interested in the different levels. John will ask Kaiser which day we could use a room.

2. Peter reported that the Pasadena Marathon is rescheduled for March 22. He will put up a station in the same place where we

planned to put it last time. Peter will report on the plans at the General meeting. Bruce will do a sign.

3. Can we do more field activities every other month? Perhaps one HF at the end of February?

Peter will ask if we can do it at the Design School.

4. Should we have a Field Day committee for 2009? Peter will wait another month to ask about that.

5. Discussion about dues: Because of the general economic distress, a re-evaluation of our PRC was made. Pam made a motion recommending to the membership that we amend article 7 in the bylaws to change the fee schedule for 2009-2019 to \$20 per household with dues for a full time student being \$10.

Prorating will be done as before. Motion carried. This will be announced at the meeting and voted on with a hand vote. There was discussion about advertising in the bulletin.

6. Generator purchase: A 2W Honda for \$899.95 PLUS \$29.95 for a cover was mentioned.

A reconditioned generator was mentioned as being cheaper. Some are available on line in which case one could save tax. Don Kalde is the possible source for a generator. Peter will look into the matter with instructions to spend \$1000 or less. He will report at the Jan. General meeting.

There was discussion about who would be custodian of a generator, who could use it and who would maintain it. Discussion was that it should be used ONLY for club events. Peter offered to assume that job if the Club purchases a generator.

Refreshments for Jan meeting: Cynthia will do them.

NEXT BOARD MEETING: Feb 9, 2009

There being no further business, the meeting was adjourned at 9:00PM.

Pasadena Radio Club General Meeting Minutes - 1/27/2009

taken by Bruce Nolte, N1BN

President Tom Berne W6TAG started the meeting at 7 PM with about 45 members and visitors

Guests introduced. Members introduced themselves.

Speaker was introduced by Pamela Royce, W6PNW - Skip Bolnick, KJ6Y with a talk on the subject of IOTA, Islands on the Air.

IOTA is another awards program that gives hams an opportunity to chase certificates. Skip's talk was about an IOTA trip to Catalina Island.

The HF antenna fit into a ski bag. His complete travel kit fit into four bags. Six of them traveled to Catalina for event, on the Catalina Express. The gear for all stations fit on two luggage carts once they arrived on the island. Eight operators on 10 thru 160 meters. They rented cabins and bunked two to a cabin and set up their stations in the cabins. Skip worked 80 meters with his station. This little DXpedition was put together by a group from Southern California DX Club. Many European and asian hams are big IOTA chasers and love to make these contacts.

At one point Skip was working about 90 stations per hour on the 10 meter band.

Bonus Page

The following year they went to Santa Rosa Island with 1600 pounds of gear, no hot shower or restaurants on this island. Generators are not allowed and they had to use headphones at night to keep the sound down. They had to do real camping and also carry their gear to the operating location. They powered their three stations using five deep cycle batteries charged by two solar panels. They worked 10 thru 40 meter during the three day trip.

The Catalina trip cost each person \$165, The Santa Rosa trip cost \$250 to \$300 each including air fare.

NIBN gave out some thank you plaques and a special plaque to Peter Fogg for serving as president in 2008. Peter Fogg showed a Yaseu rig and antenna that is for sale.

Break at 8 PM, Business meeting at 8:15 PM

A motion was made to change the dues, we probably can't vote tonight due to a technicality.

Hal Frank says that four members have said that \$30 is too high for them because we have \$4700 in the bank. What are we doing with the extra \$10 because many clubs exist on \$15 or \$20. Hal expressed that we have been covering yearly expenses on dues and the savings don't change. Go from \$30 to \$20 for one year was the intent of the motion.

A discussion about the dues amount occurs. It was suggested that the club should have money in the bank to cover two years of operation with a possible yearly cost of \$1500 per year of costs. The club is a normal corporation in the state and we don't have to pay taxes because we earn less than \$25000 per year.

The vote on the motion can not proceed until we publish the amendment in the Bulletin.

Pamela Royce thinks we will get more members from other clubs if we are at the \$20 price point. John Minger asks for a show of hands if members supported the reduction. Most said yes.

Tom Berne: if we are spending over \$200 we need to get general membership approval on a generator purchase.

Peter Fogg has been making calls for prices. Don Calde works at Camping World and has access to "like new" Honda EU2000i for \$770 plus the extras. Allen Wolff has questions, who will take care of it and keep track of it. Allen says he doesn't want to see it stored at a member's house. Peter has volunteered to be the custodian of it. Allen says that a 2/3 majority vote means that the vote on the generator also has to go into the Bulletin.

Roz Rich discuss the LA Council of Radio Clubs, membership is \$10 per year. The council is part of ARRL and is used to promote clubs. Meeting is every odd numbered month on the 1st Tuesday of that month. Peter Fogg reminds us that clubs can make money if they take on responsibilities at the yearly Hamcon.

Jim N6XCR, reminded us that some clubs meetings are announced on the 145.220 repeater net.

Peter Fogg moves that we spend the \$10 and join the council, Hal Frank seconds the motion and all vote in favor.

Peter Fogg volunteers to be the rep to the council.

VP report: February's talk will be a "Project and Show and Tell Night" - bring and brag night each person will have a couple of minutes to describe.

Tom Berne: last century you could get a big soldering iron and make anything. Now everything is tiny in an IC - but still it possible to get kits - bring the cool stuff.

Mark Siegel had a death in the family but did tell Tom that it was the same amount of money as at the last board meeting. \$4941 in the bank.

Peter Fogg has his Field Day Chairman's report: nothing to report, however, this year have a mini Field Day activity for hams who don't have an HF rig can come and get experience. February 28 will be the first with a location to be decided. Bring some lunch and come and get on the air. The Pasadena Marathon for March 22 and we plan to set up a station to due a Special Event.

Pamela Royce, tells the story of a young person who spotted antennas. She asks members to save their old Bulletins and she will take them to the library to increase PR and place them in public places.

Meeting ended at 9:02 PM

Pasadena Radio Club Board Meeting Minutes - 2/10/2009

taken by Bruce Nolte, NIBN

Secretary Bruce Nolte NIBN officiated meeting.

Meeting started at 7:30 pm

Members in attendance: Peter Fogg, Bruce Nolte, Mark Seigel, Fred Lopez, Ralph Williams, Paul Gordon and John Minger.

General meetings in the future: February meeting is Bring and Brag night. March is Rick DiFiore with a talk of using radio receivers in the ham shack. April is Les White.

Treasurer report: roughly \$4000 in CDs and \$700 in checking. Cindy at C&M Printing: Bulletin costs the club about \$1.48 per club member's address for printing and mailing. Discussions about digital vs hardcopy Bulletin and lower yearly dues ensued.

Lower dues: discussion ensued. New language of the past motion on lower dues in Bylaws will be published in the next Bulletin. Paul Gordon presented data showing that our current dues are generally in line with other clubs, being slightly high for individual memberships and somewhat low for family memberships.

Paul also presented a simplified cash flow statement showing a net increase of \$80 for 2008, but that we had not made our annual contributions to Westlink or QSL.net.

Income: there was discussion about how to raise money: Hamcon participation, fund raising events, paid ads in the Bulletin, etc.

Field Day: there will be a Field Day, Peter is going to talk to Art Center about getting the space reserved, same as last year.

Generator purchase: discussion ensued, Peter Fogg will present data to the club soon. No action was taken

Education chair report: Mark Seigel will start a General class in about three weeks. Any members interested in upgrading to General should contact him.

Meeting adjourned at 9:18 pm