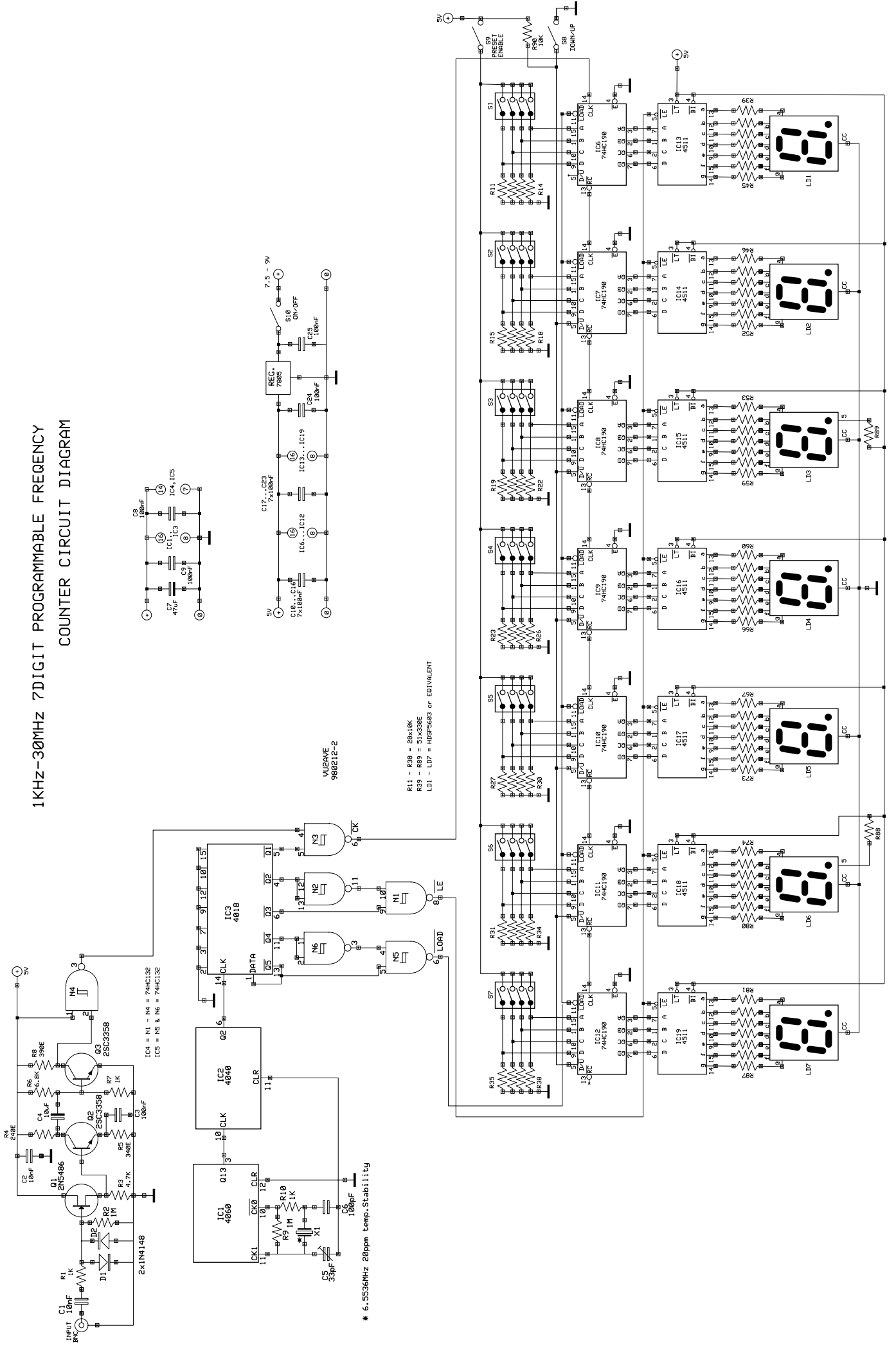


1KHZ-30MHZ 7DIGIT PROGRAMMABLE FREQUENCY COUNTER CIRCUIT DIAGRAM



VLSIWARE
980212-2

R11 - R38 = 20kΩ
R29 - R32 = 10kΩ
LD1 - LD7 = HDSP5603 or EQUIVALENT

* 6.5536MHz 20ppm temp. stability