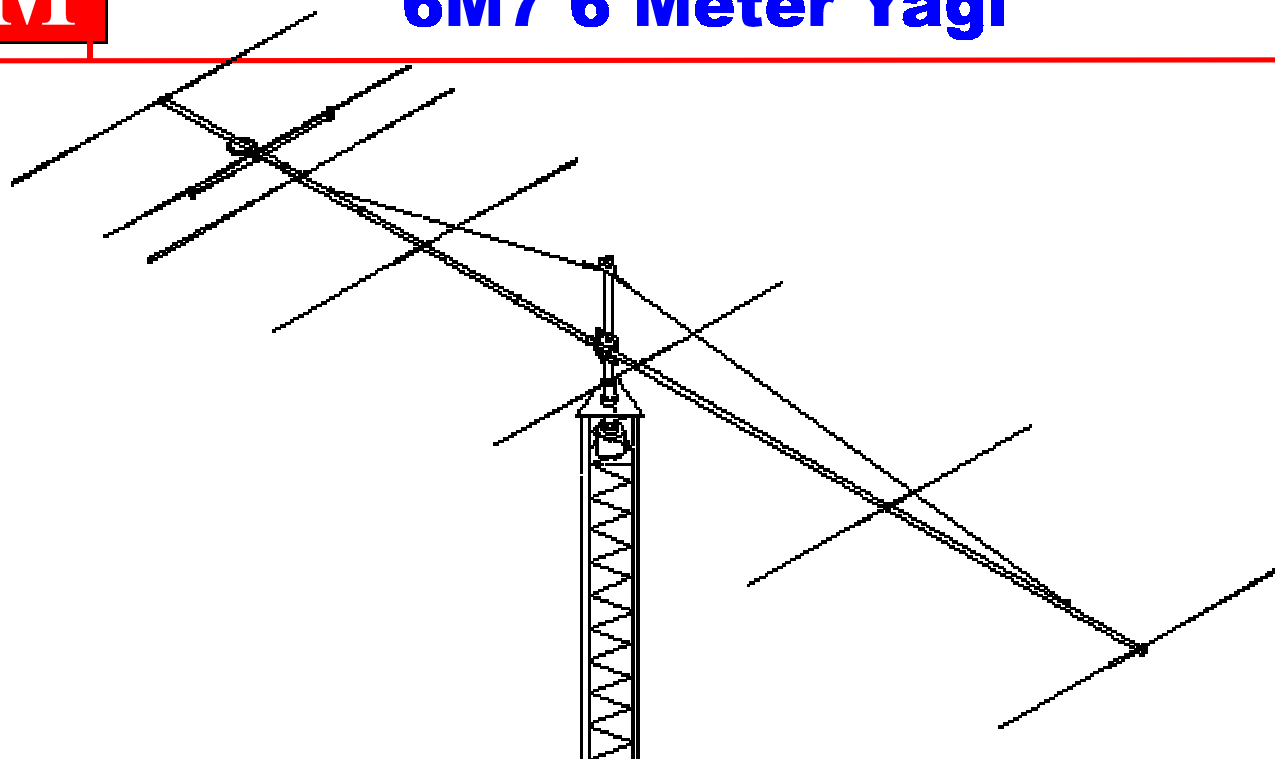


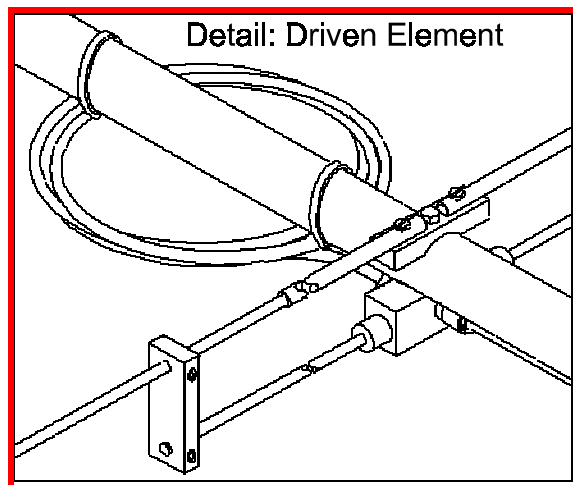


6M7 6 Meter Yagi



SPECIFICATIONS

Model	6M7
Frequency	49.5-50.5 MHz
Gain.....	10.5 dBd
Front to back	23 dB
Beamwidth E - Plane	E=42° / H=50°
Stacking Distance.....	24' Wide, 22' High
Feed Impedance / Conn.	50 Ohms / "N" fem.
VSWR	1.2:1 @ 50.1 MHz
Power Handling	1.5 KW
Match Type.....	'T' Match
Balun	4:1 Coaxial
Lightening Protection	All Elements Grounded
Boom Length / Dia.....	26' 9" / 2" O.D.
Element Type	1/4" Rod with 3/8" Sleeve
Mast Size.....	2"
Wind Area / Survival	3 sq ft / 100 MPH
Weight / Ship Wt.	17 Lbs / 19 Lbs UPS



FEATURES

The 6M7 is a mid-sized 7 element antenna designed, with the aid of computer technology, to produce maximum gain for its boom length. Features include machined aluminum element mounting blocks, O-ring sealed connectors and balun, silicone-gel sealed "T" match block, and stainless steel hardware. Elements are 1/4" aluminum rod with 3/8 tube center sleeves, and all are DC grounded. An overhead guy system is provided for additional boom support.