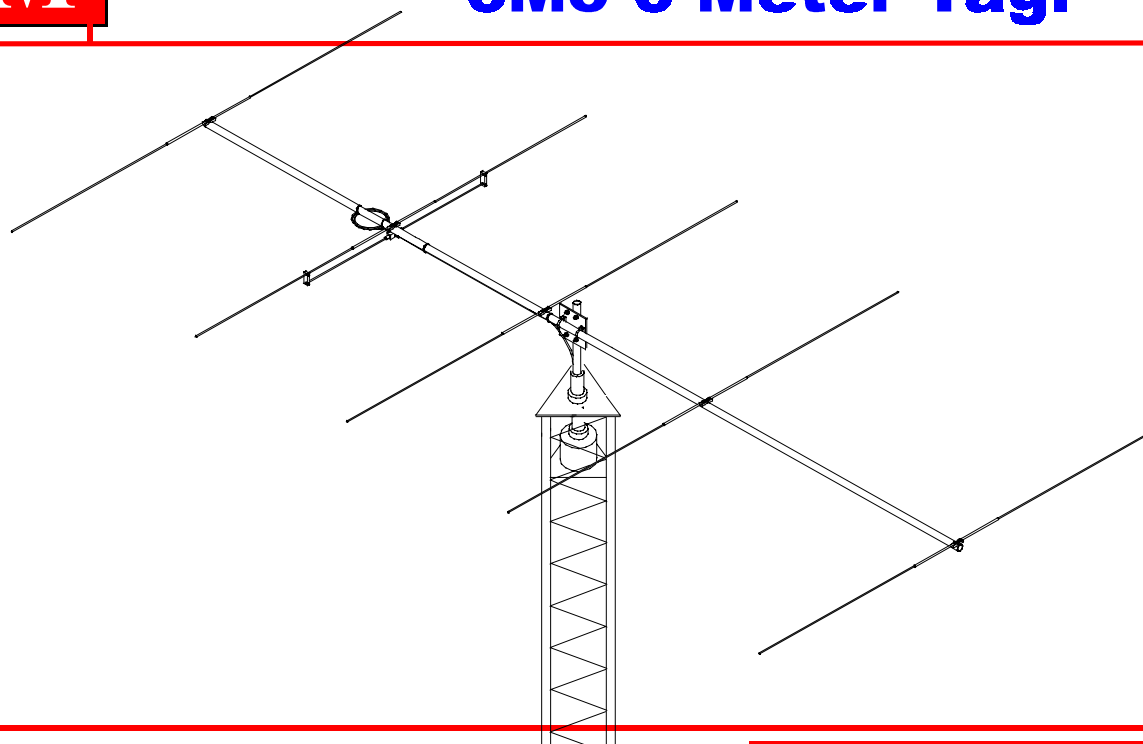


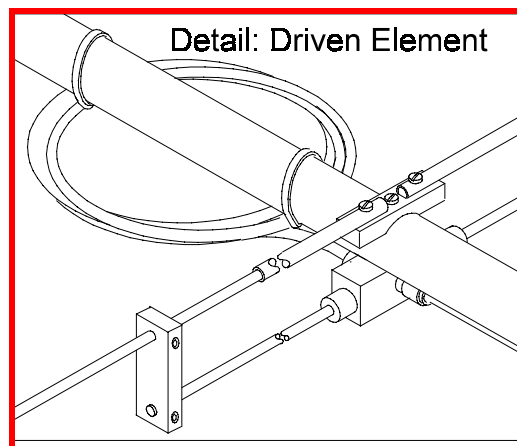


6M5 6 Meter Yagi



SPECIFICATIONS

Model	6M5
Frequency	50-50.5 MHz
Gain.....	9.4 dBd
Front to back	12 dB
Beamwidth	E=52° / H=60°
Recommended Stacking.....	15' wide / 13' High
Feed Impedance / Conn.	50 Ohms / "N" fem.
VSWR	1.2:1 @ 50.1 MHz
Power Handling	1.5 KW
Match Type.....	'T' Match
Balun	4:1 Coaxial
Lightning Protection	All Elements Grounded
Boom length / Dia	189" (15', 10") / 1-1/2" Dia
Element Type	1/4" rod with 3/8" Sleeve
Mast Size.....	2"
Wind area / Survival	2 sq. ft. / 100 MPH
Weight / Ship wt.	9 lbs / 11 lbs



FEATURES

The 6M5 is a light, but rugged computer optimized Yagi providing maximum gain for the boom length. With low wind load and weight, it will compliment the rest of your antenna and tower system. Quick and easy to assemble, it is also great for mountain topping, grid expeditions and DXpeditions. The 6M5 features machined aluminum element mounting blocks, O-ring sealed connectors and balun, a silicone gel sealed "T" match block, and stainless steel hardware. For the serious 6 meter enthusiast, it provides an effective, inexpensive building block for vertical