

Figure 19 Exciter Board TX-80 Component Layout

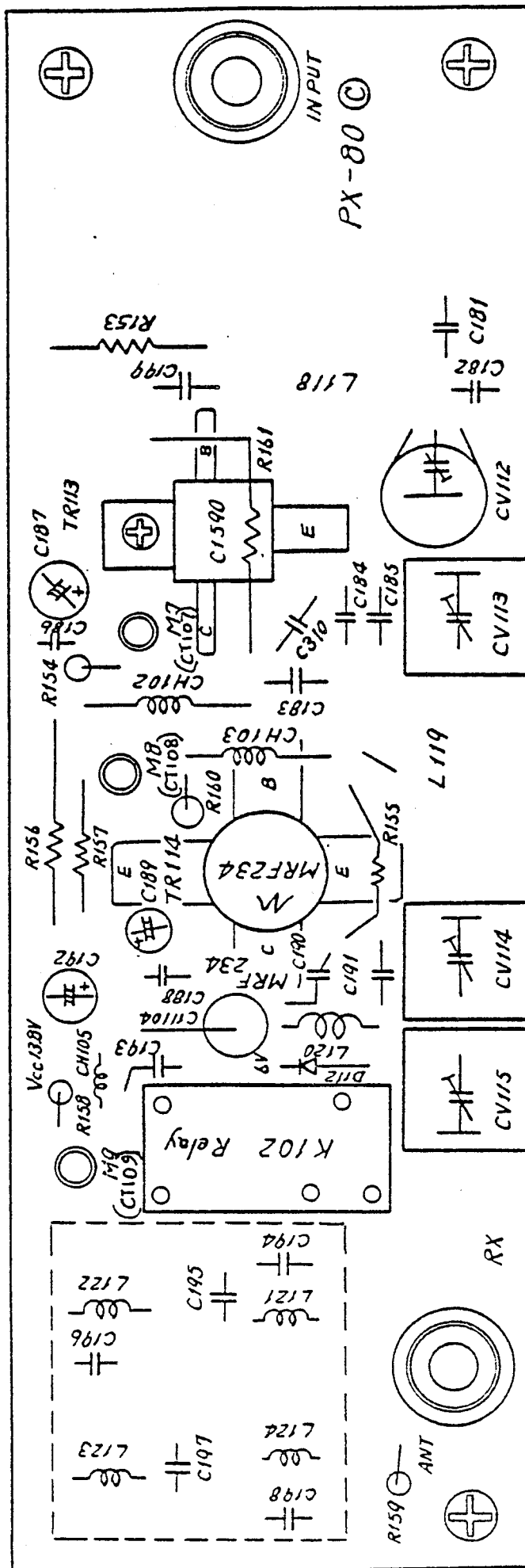
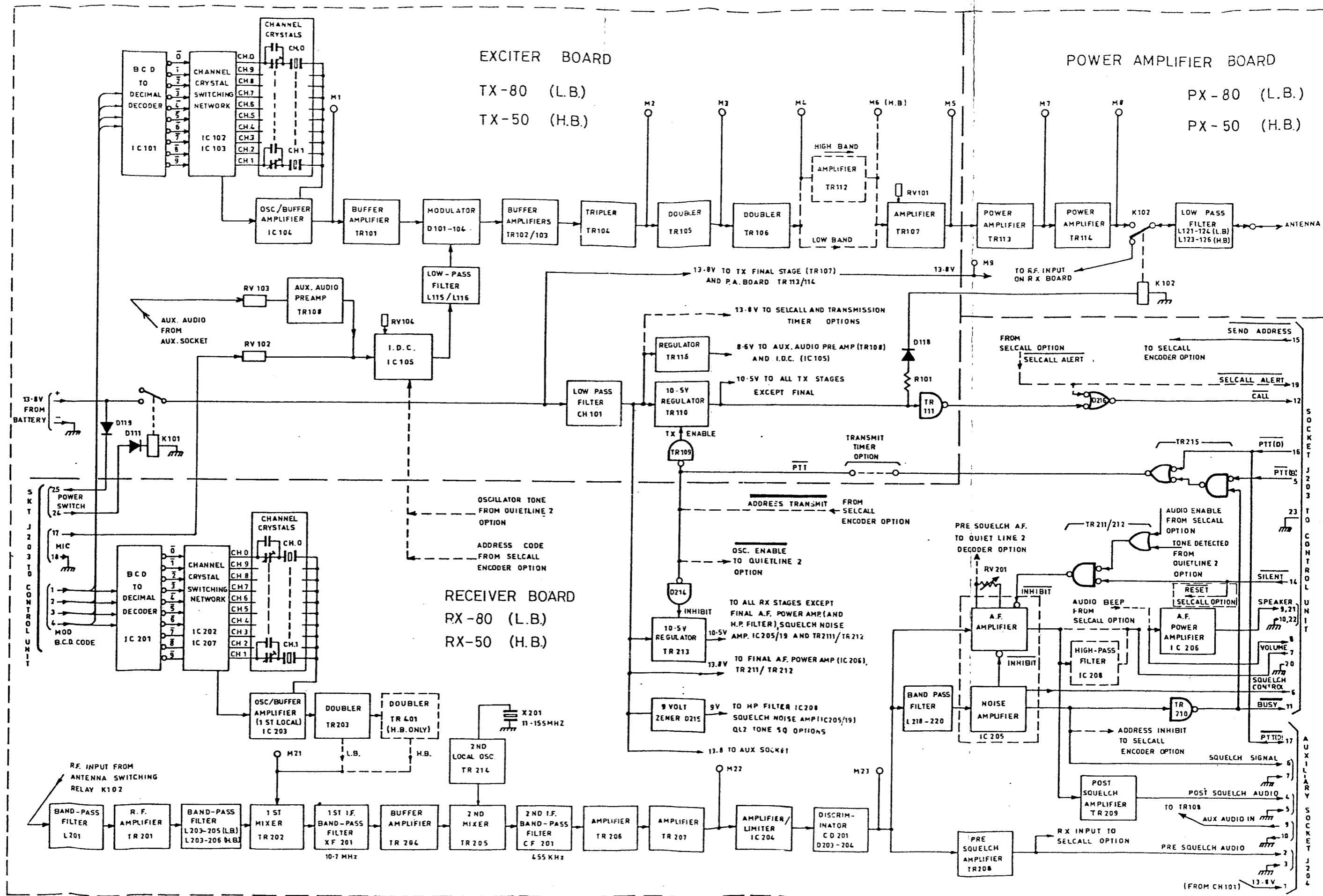
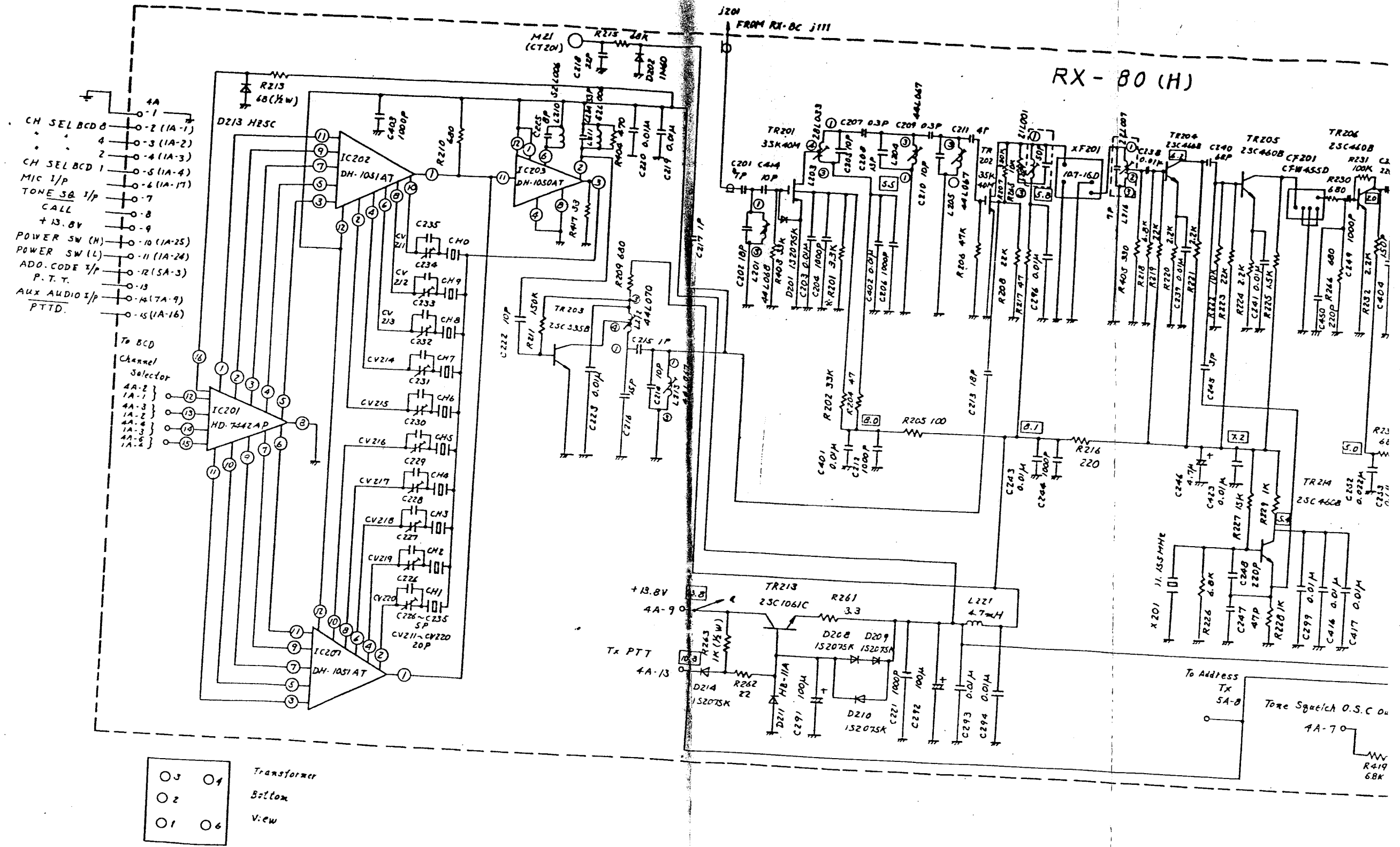


Figure 20 Power Amplifier Board PX-80 Component Layout



RT-80 EFA Band.

Figure 10 Transceiver - Overall Block Schematic



RT-80
Receiver
part 1 of 2

