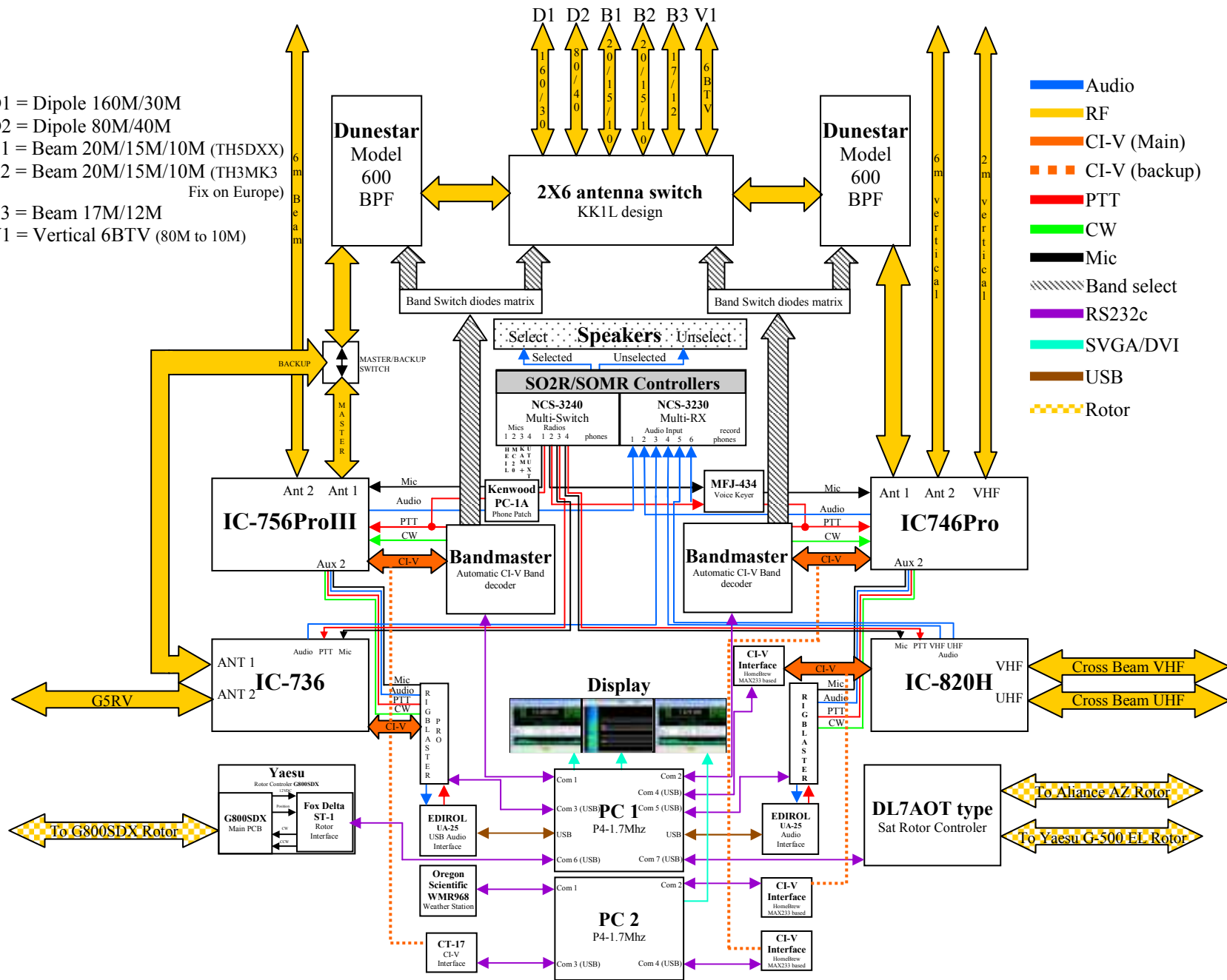


VE2DX SO2R/SOMR STATION SETUP

D1 = Dipole 160M/30M
 D2 = Dipole 80M/40M
 B1 = Beam 20M/15M/10M (TH5DXX)
 B2 = Beam 20M/15M/10M (TH3MK3
 Fix on Europe)
 B3 = Beam 17M/12M
 V1 = Vertical 6BTV (80M to 10M)



« Like with any good HAM radio project, work always in progress.... »