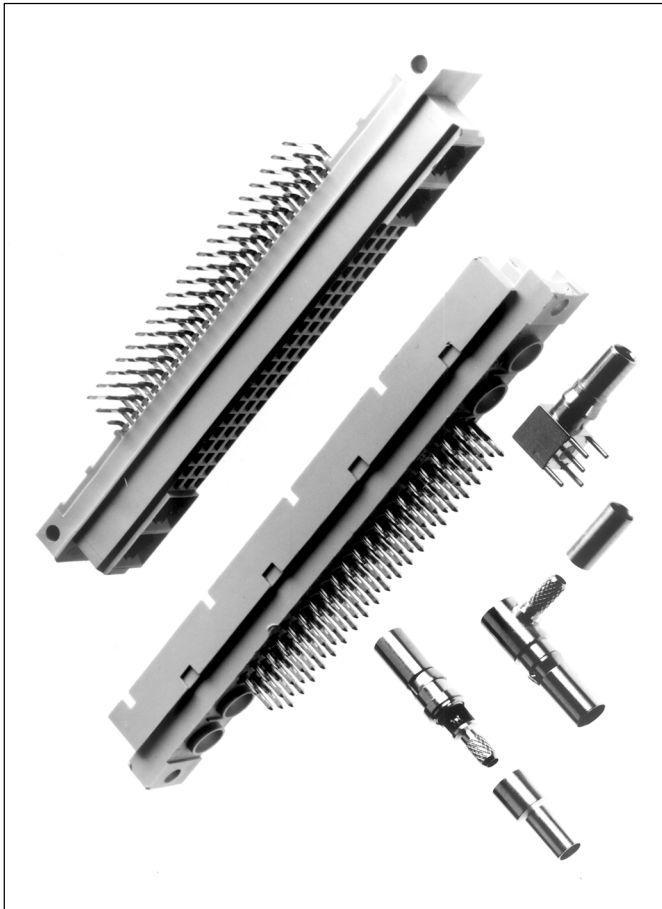


# DIN 41626 coaxial contacts



50  $\Omega$

DC - 2 GHz

## GENERAL

DIN 41626 coaxial contacts are designed to be used in two piece DIN 41612 connectors and also to be inter-mateable with DIN 1.0/2.3 standard connectors.

They are available in two performance classes :

- **class 1** = 500 mating cycles
- **class 3** = 200 mating cycles

In the two classes, the center contact is solder type and the outer contact is either crimp type on flexible cables or solder type for PCB mounting.

## RELEVANT STANDARDS

- DIN 41626
- DIN 41297

## APPLICATIONS

- Civil RadioTelecommunication equipment

Edition 1995 May

# DIN 41626 coaxial contacts

## CHARACTERISTICS

### ELECTRICAL CHARACTERISTICS

Impedance	50 Ω
Frequency range	DC - 2 GHz
Temperature rating	- 55 + 125 °C
VSWR	1,40 max.
Voltage rating	750 V max.
Insulation resistance	1000 MΩ min.

### MECHANICAL CHARACTERISTICS

Cable retention	40 N min.
Center contact axial retention	10 N min.
Life/Mechanical endurance	<i>Class 1</i> 500 matings min. <i>Class 3</i> 200 matings min.

### MATERIALS AND PLATING FINISH

	Material	Finish	
		Class 1	Class 3
Body and outer contact	Brass	Au 1.3 μ	Au 0.5 μ
Female center contact	Cube2	Au 2.5 μ	Au 1.3 μ
Male center contact	Brass	Au 2.5 μ	Au 1.3 μ
Insulator	PTFE		
Retention clip	Cube2	Ni	Ni
Ferrule	Brass	Au	Au
<i>Other plating finishes available upon request</i>			

## APPLICABLE CABLES

Cables suitable for use with RADIALL connectors.  
The cables are divided into cable groups defined by the approx. diameter in mm/impedance in ohms.

PART NUMBER	IMP Ω	DIAMETER in inch (mm)				CABLE GROUP	
		CORE		DIELECTRIC	MAX SCREEN		JACKET
		Composition	Nom. Dia.				

### MIL-C-17-F FLEXIBLE CABLES

RG 174A/U	50	7 X .006 (0.16)	.019 (0.48)	.060 (1.52)	.088 (2.24) SB	.110 (2.79)	.102 (2.6)/50
RG 178B/U	50	7 X .004 (0.10)	.012 (0.30)	.033 (0.84)	.054 (1.37) SB	.071 (1.80)	.079 (2)/50
RG 188A/U	50	7 X .007 (0.18)	.020 (0.51)	.060 (1.52)	.081 (2.06) SB	.110 (2.79)	.102 (2.6)/50
RG 196A/U	50	7 X .004 (0.10)	.012 (0.30)	.033 (0.84)	.054 (1.37) SB	.071 (1.80)	.079 (2)/50
RG 316	50	7 X .007 (0.18)	.020 (0.51)	.060 (1.52)	.081 (2.06) SB	.098 (2.49)	.102 (2.6)/50

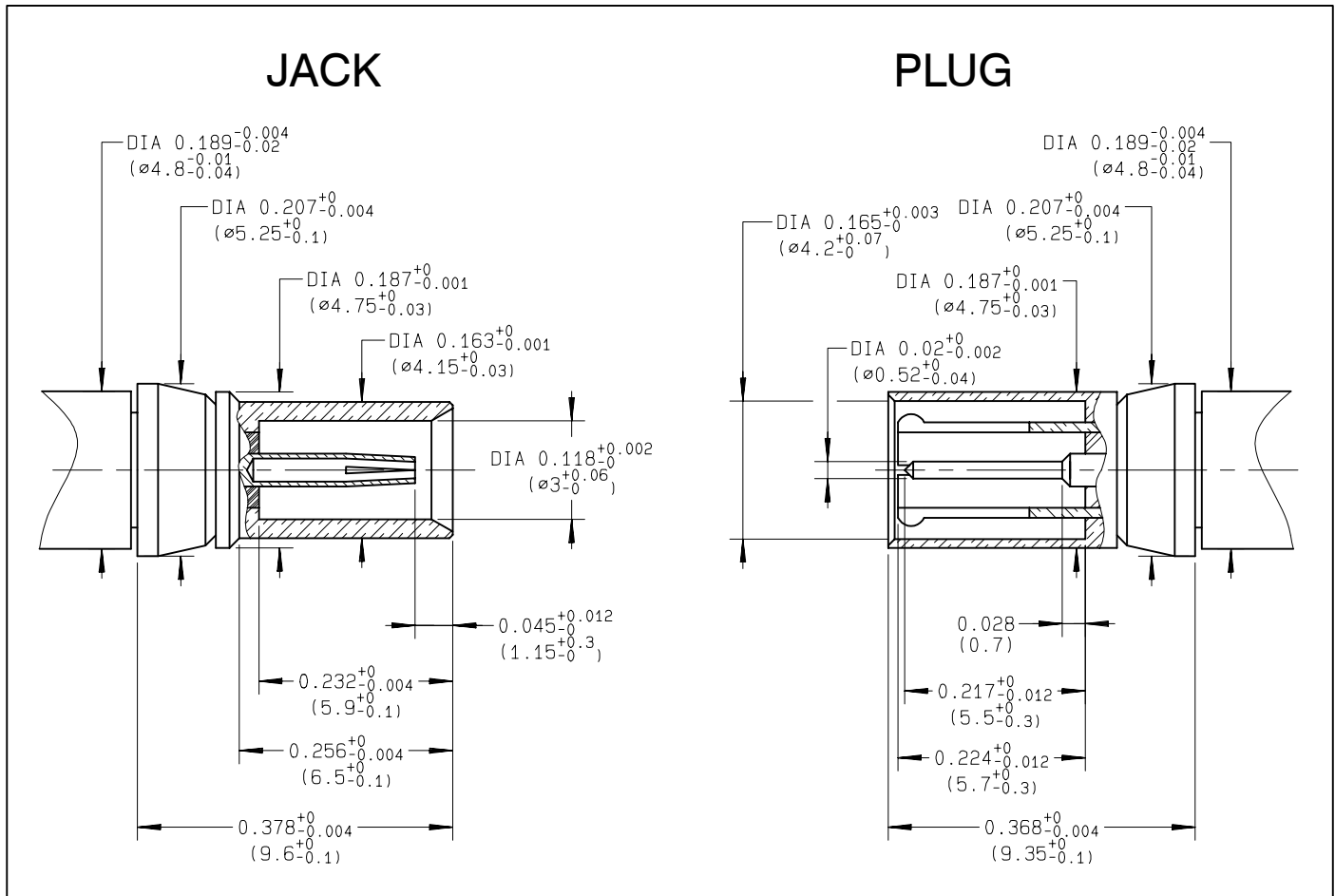
### NF-C 93-550 FLEXIBLE CABLES

KX 21A	50	7 X .004 (0.10)	.012 (0.30)	.034 (0.87)	.054 (1.37) SB	.071 (1.80)	.079 (2)/50
KX 22A	50	7 X .007 (0.18)	.020 (0.51)	.059 (1.50)	.081 (2.06) SB	.098 (2.50)	.102 (2.6)/50

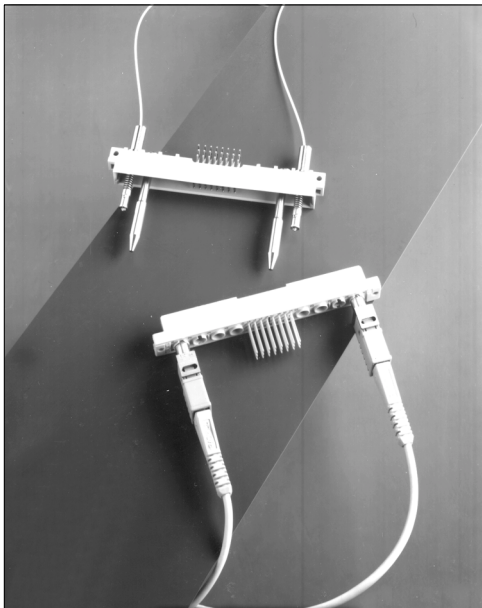
SB: Single braid

# DIN 41626 coaxial contacts

## INTERFACE



### *BPO series (fiber optic contacts)*



Also available from RADIALL :

- High power contacts : **681 series**
- Fiber optic contacts : **BPO and OPTIPACK series**

These 2 series are designed and manufactured in accordance with DIN 41626 standard

*Catalogues are available, giving complete product details, dimensions, technical characteristics, etc...*

All dimensions are given in inches (mm)