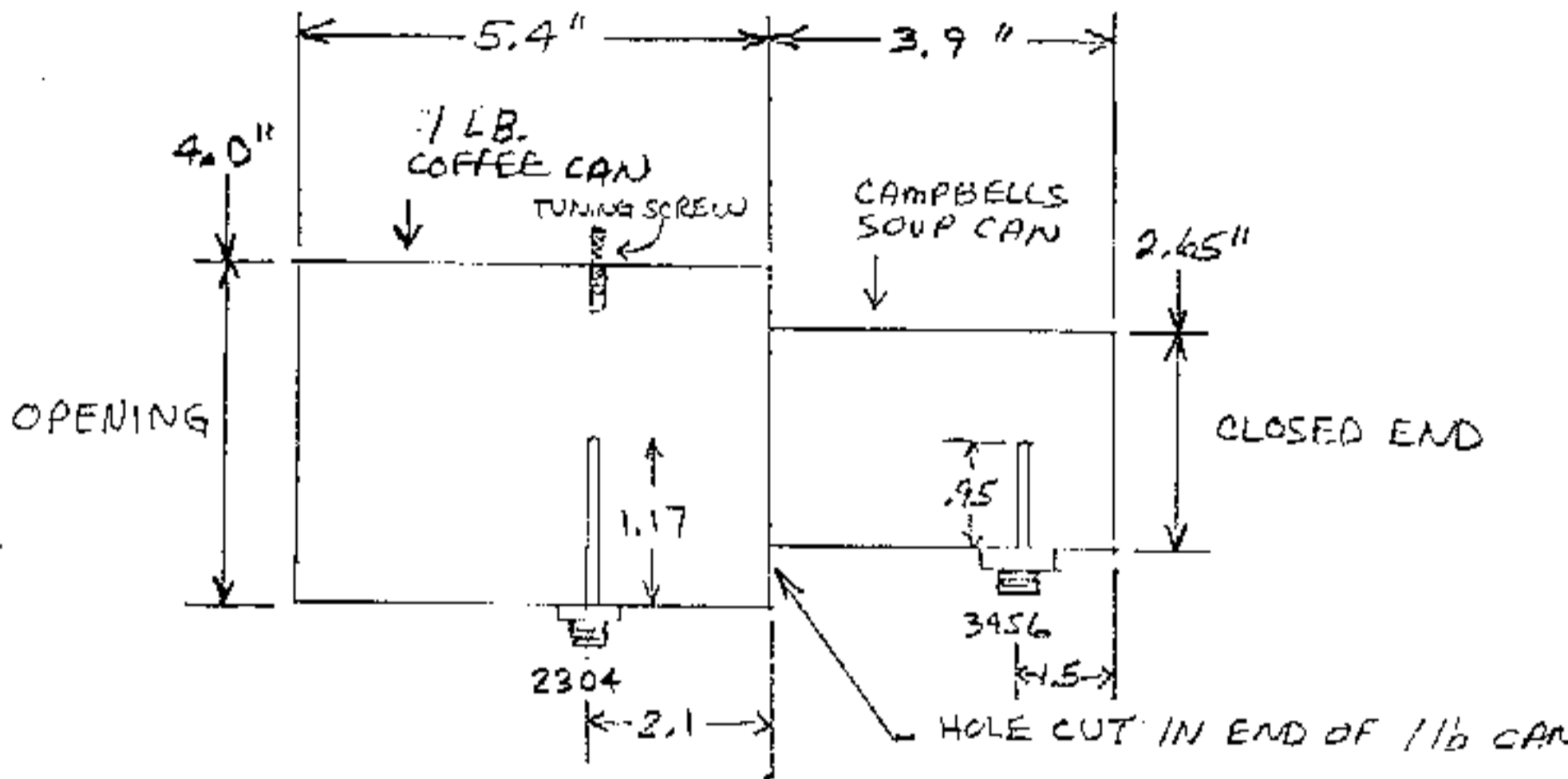


2304/3456 DUAL BAND FEED HORN (PRELIMINARY)



1. MEASURED PARAMETERS - FEED BY ITSELF

- A. 2304 RETURN LOSS = 25-26 dB
- B. 3456 RETURN LOSS = 20 dB WHEN 2304 PORT IS OPEN CIRCUITED, 13 dB IF 2304 PORT TERMINATED IN
- C. 2304 TO 3456 ISOLATION (PORT TO PORT) = 20 dB
- D. 3456 TO 2304 ISOLATION (PORT TO PORT) = 6 dB
i.e. VERY SENSITIVE TO 2304 TERMINATION

2. MEASURED PARAMETERS AT FOCAL POINT OF 32" DISH

GAIN (Freq)	THEORETICAL 55%	MEASURED AT CSVHFS JULY 29, 1989	dB BELOW CALCULATED
2304 MHz	23.3 dBc	22.7 dBc	-0.6 dB
3456 MHz	26.8 dBc	25.8 dBc	-1.0 dB

A. J. WARD
WBSLUR
8-10-89