

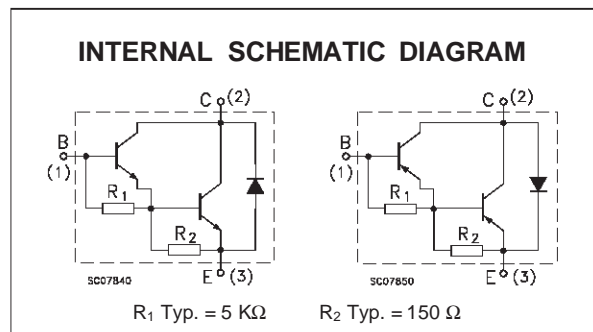
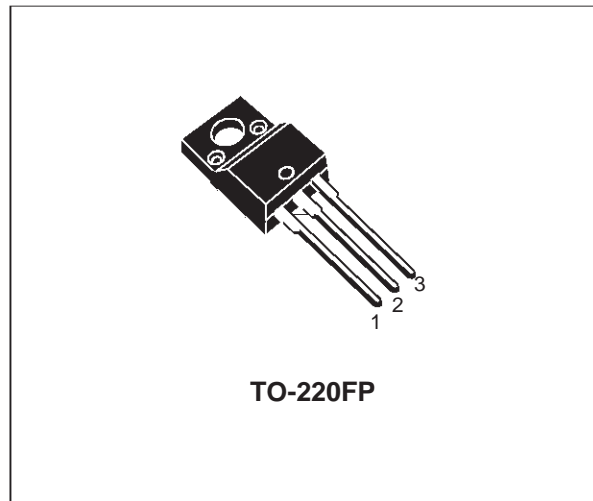
**COMPLEMENTARY SILICON POWER  
DARLINGTON TRANSISTORS**

- SGS-THOMSON PREFERRED SALESTYPES
- FULLY MOLDED ISOLATED PACKAGE
- 2000 V DC ISOLATION (U.L. COMPLIANT)

**DESCRIPTION**

The TIP122FP is a silicon epitaxial-base NPN power transistor in monolithic Darlington configuration Jedec TO-220FP fully molded isolated package, intended for use in power linear and switching applications.

The complementary PNP type is TIP127FP.



**ABSOLUTE MAXIMUM RATINGS**

Symbol	Parameter	Value		Unit
		NPN	TIP122FP	
		PNP	TIP127FP	
V <sub>CBO</sub>	Collector-Base Voltage (I <sub>E</sub> = 0)		100	V
V <sub>CEO</sub>	Collector-Emitter Voltage (I <sub>B</sub> = 0)		100	V
V <sub>EBO</sub>	Emitter-Base Voltage (I <sub>C</sub> = 0)		5	V
I <sub>C</sub>	Collector Current		5	A
I <sub>CM</sub>	Collector Peak Current		8	A
I <sub>B</sub>	Base Current		0.1	A
P <sub>tot</sub>	Total Dissipation at T <sub>case</sub> ≤ 25 °C T <sub>amb</sub> ≤ 25 °C		29	W
			2	W
T <sub>stg</sub>	Storage Temperature		-65 to 150	°C
T <sub>j</sub>	Max. Operating Junction Temperature		150	°C

\* For PNP types voltage and current values are negative.

## TIP122FP / TIP127FP

### THERMAL DATA

$R_{thj-case}$	Thermal Resistance Junction-case	Max	4.3	$^{\circ}C/W$
$R_{thj-amb}$	Thermal Resistance Junction-ambient	Max	62.5	$^{\circ}C/W$

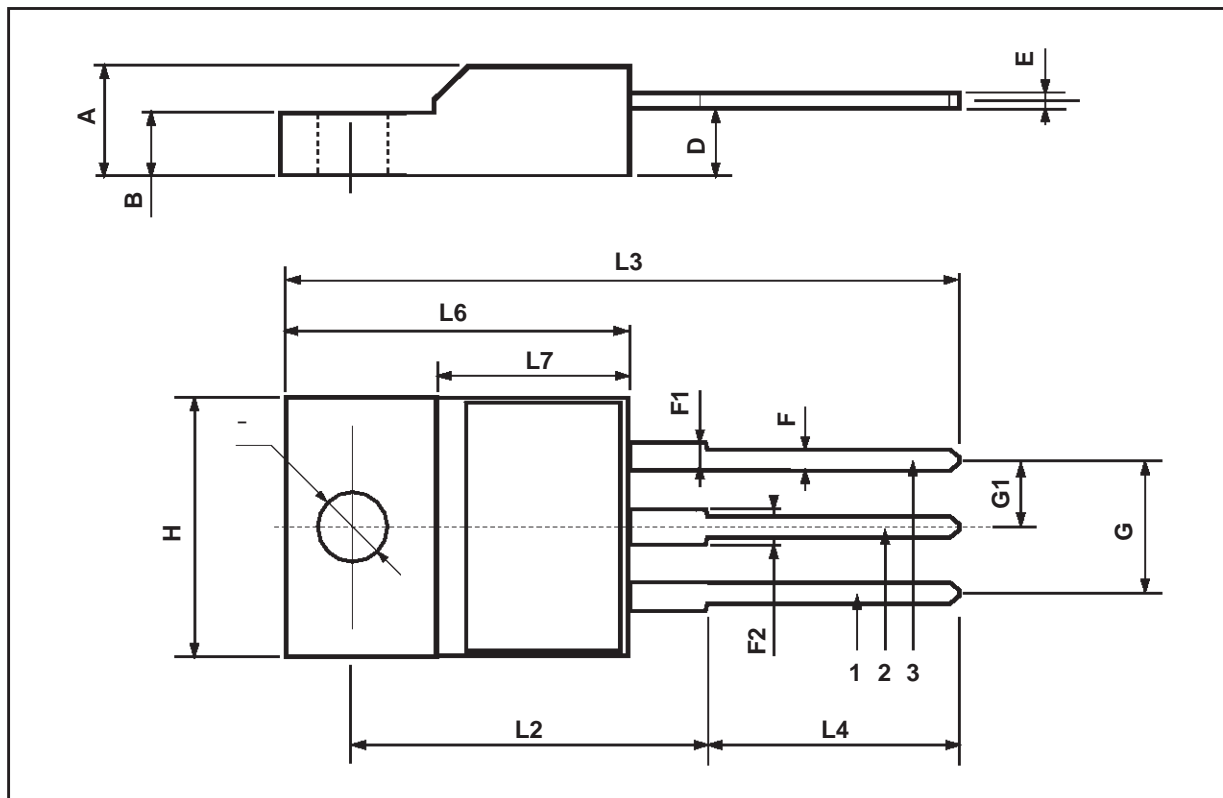
### ELECTRICAL CHARACTERISTICS ( $T_{case} = 25^{\circ}C$ unless otherwise specified)

Symbol	Parameter	Test Conditions	Min.	Typ.	Max.	Unit
$I_{CEO}$	Collector Cut-off Current ( $I_B = 0$ )	$V_{CE} = 50 V$			0.5	mA
$I_{CBO}$	Collector Cut-off Current ( $I_B = 0$ )	$V_{CE} = 100 V$			0.2	mA
$I_{EBO}$	Emitter Cut-off Current ( $I_C = 0$ )	$V_{EB} = 5 V$			2	mA
$V_{CEO(sus)}^*$	Collector-Emitter Sustaining Voltage ( $I_B = 0$ )	$I_C = 30 mA$	100			V
$V_{CE(sat)}^*$	Collector-Emitter Saturation Voltage	$I_C = 3 A$ $I_C = 5 A$	$I_B = 12 mA$ $I_B = 20 mA$		2 4	V V
$V_{BE(on)}^*$	Base-Emitter Voltage	$I_C = 3 A$	$V_{CE} = 3 V$		2.5	V
$h_{FE}^*$	DC Current Gain	$I_C = 0.5 A$ $I_C = 3 A$	$V_{CE} = 3 V$ $V_{CE} = 3 V$	1000 1000		

\* For PNP types voltage and current values are negative.

## TO-220FP MECHANICAL DATA

DIM.	mm			inch		
	MIN.	TYP.	MAX.	MIN.	TYP.	MAX.
A	4.4		4.6	0.173		0.181
B	2.5		2.7	0.098		0.106
D	2.5		2.75	0.098		0.108
E	0.45		0.7	0.017		0.027
F	0.75		1	0.030		0.039
F1	1.15		1.7	0.045		0.067
F2	1.15		1.7	0.045		0.067
G	4.95		5.2	0.195		0.204
G1	2.4		2.7	0.094		0.106
H	10		10.4	0.393		0.409
L2		16			0.630	
L3	28.6		30.6	1.126		1.204
L4	9.8		10.6	0.385		0.417
L6	15.9		16.4	0.626		0.645
L7	9		9.3	0.354		0.366
Ø	3		3.2	0.118		0.126



Information furnished is believed to be accurate and reliable. However, SGS-THOMSON Microelectronics assumes no responsibility for the consequences of use of such information nor for any infringement of patents or other rights of third parties which may result from its use. No license is granted by implication or otherwise under any patent or patent rights of SGS-THOMSON Microelectronics. Specifications mentioned in this publication are subject to change without notice. This publication supersedes and replaces all information previously supplied. SGS-THOMSON Microelectronics products are not authorized for use as critical components in life support devices or systems without express written approval of SGS-THOMSON Microelectronics.

© 1998 SGS-THOMSON Microelectronics - Printed in Italy - All Rights Reserved

SGS-THOMSON Microelectronics GROUP OF COMPANIES  
Australia - Brazil - Canada - China - France - Germany - Italy - Japan - Korea - Malaysia - Malta - Morocco - The Netherlands -  
Singapore - Spain - Sweden - Switzerland - Taiwan - Thailand - United Kingdom - U.S.A