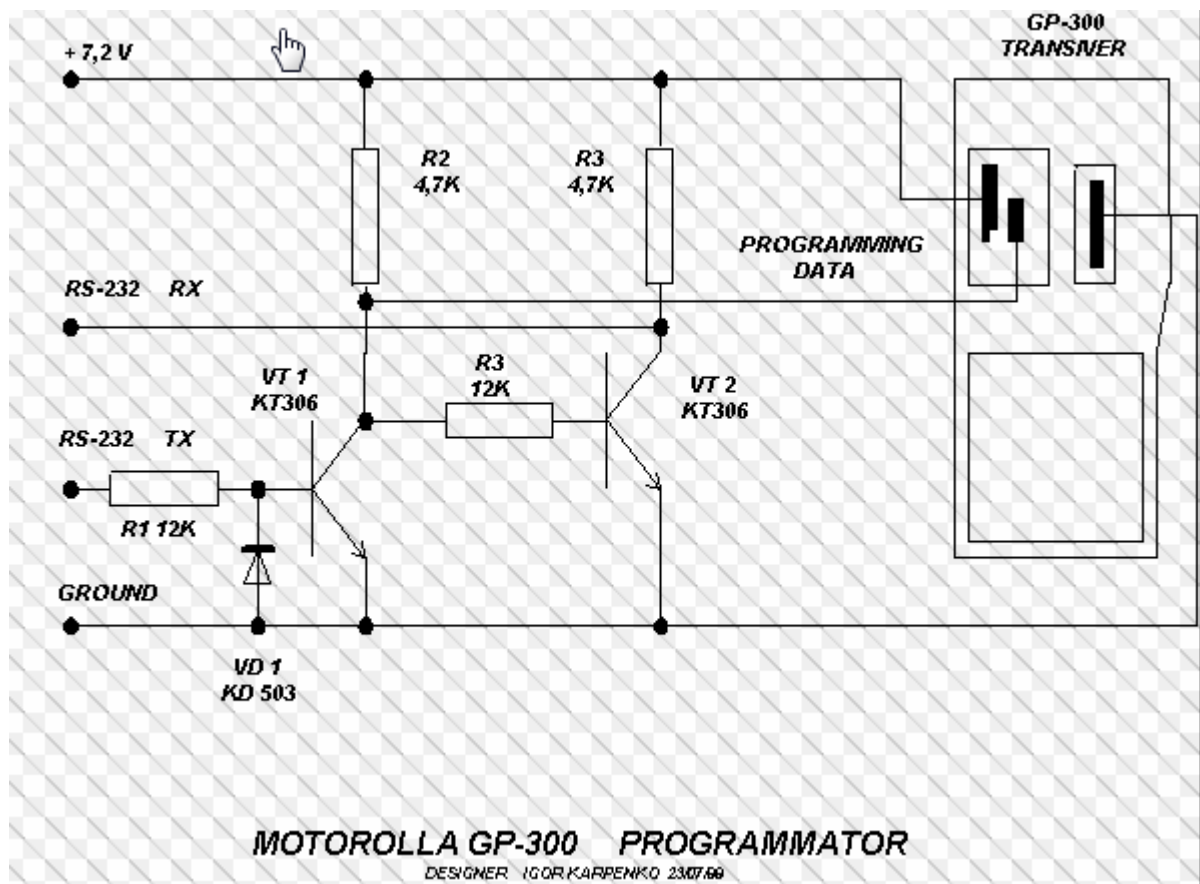


Dimensions 1:1

Interface : 2x BC547 are OK



**IMPORTANT :** to have interface working :

- on the DB9 connector, place jumpers between pins 1 & 6, and 7 & 8 !
- R2 must be 10k instead of 4k7 !