

FEATURES

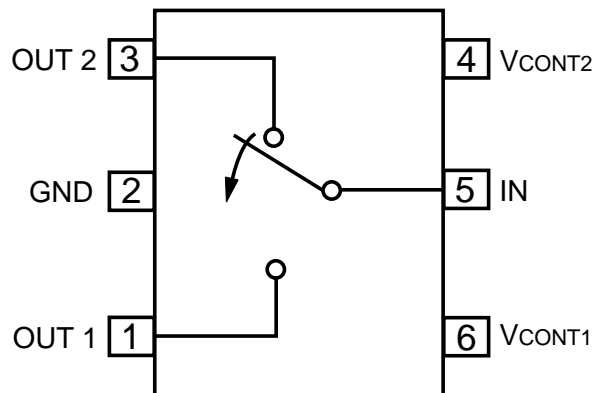
- **WIDE FREQUENCY RANGE:** 100 MHz to 2.5 GHz
- **LOW INSERTION LOSS:** 0.5 dB Typical at 2.0 GHz
- **HIGH P_{1dB}:** +30 dBm typ. @ 2 GHz
- **LOW CONTROL VOLTAGE:** +3V or 0V
- **SUPER SMALL SURFACE MOUNT PACKAGE:** SOT-26
- **AVAILABLE ON TAPE AND REEL**

DESCRIPTION

The UPG152TA is an L-Band Single Pole Double Throw (SPDT) GaAs MMIC switch developed for digital cellular, cordless, and PCS handset, WLAN, and other RF control applications. The device features low insertion loss, high P_{1dB}, and low voltage operation. It is housed in a super small, low-cost SOT-26 package and is also available on tape-and-reel.

NEC's stringent quality assurance and test procedures ensure the highest reliability and performance.

INTERNAL BLOCK DIAGRAM



ELECTRICAL CHARACTERISTICS (T_A = 25°C, V_{CONT} = 3V/0V)

PART NUMBER PACKAGE OUTLINE			UPG152TA T06		
SYMBOLS	PARAMETERS AND CONDITIONS	UNITS	MIN	TYP	MAX
IL	Insertion Loss f = 0.1 - 2 GHz f = 2.0 - 2.5 GHz	dB dB		0.5 0.8	1.0
ISOL	Isolation f = 0.1 - 2 GHz f = 2.0 - 2.5 GHz	dB dB	20	22 20	
RLIN	Input Return Loss f = 0.1 - 2 GHz	dB	11		
RLOUT	Output Return Loss f = 0.1 - 2 GHz	dB	11		
P _{1dB}	Input Power at 1 dB Compression f = 0.1 - 2 GHz	dBm	27	30	
I _{IP3}	Input IP3 at f = 900 MHz, V _{CONT} = +3 V f = 1900 MHz, V _{CONT} = +3 V	dBm dBm		+48 +44	
t _{SW}	Switching Speed f = 0.1 - 2 GHz	ns		30	
I _{CONT}	Control Current f = 0.1 - 2 GHz, V _{CONT} = 3V/0V, no RF signal	μA			5

UPG152TA

ABSOLUTE MAXIMUM RATINGS¹ (T_A = 25°C)

SYMBOLS	PARAMETERS	UNITS	RATINGS UPG152TA
V _{CONT 1,2}	Control Voltage 1 and 2	V	-6.0 to +6.0 2.7 ≤ V _{CONT1} - V _{CONT2} ≤ 6.0V
P _{IN}	Input Power	dBm	31
P _{TOT}	Total Power Dissipation	W	0.4
T _{OPT}	Operating Case Temperature	°C	-50 to +90
T _{STG}	Storage Temperature	°C	-65 to +150

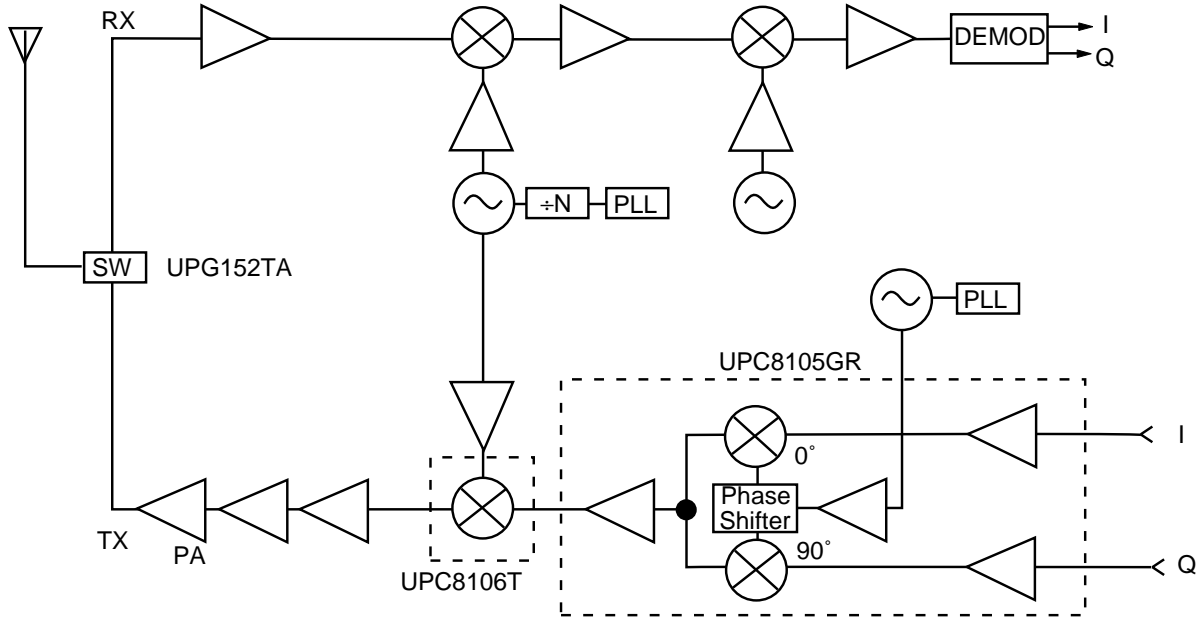
Note:

1. Operation in excess of any one of these parameters may result in permanent damage.

RECOMMENDED OPERATING CONDITIONS

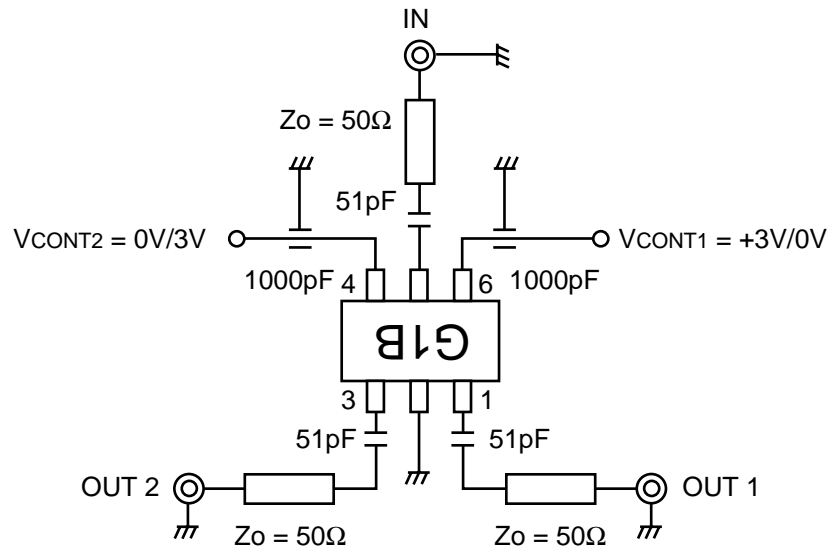
SYMBOL	PARAMETER	UNITS	UPG152TA		
			MIN	TYP	MAX
V _{CONT}	Control Voltage (ON)	V	+2.7	+3.0	+5.3
V _{CONT}	Control Voltage (OFF)	V	-0.2	0	+0.2
P _{IN}	Input Power Level (V _{CONT} = 3V/0V)	dBm		+27	+29

APPLICATION EXAMPLE (PCS Handset)



TEST CIRCUIT

UPG152TA



SWITCH LOGIC TABLE

UPG152TA

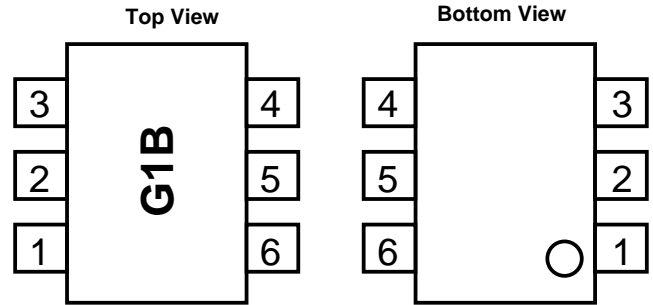
CONTROL INPUTS (V)		CONDITION OF OUTPUT PORTS ¹	
VCONT ₁	VCONT ₂	OUT ₁	OUT ₂
0	0	OFF	OFF
0	+3	ON	OFF
+3	0	OFF	ON
+3	+3	OFF	OFF

Note:

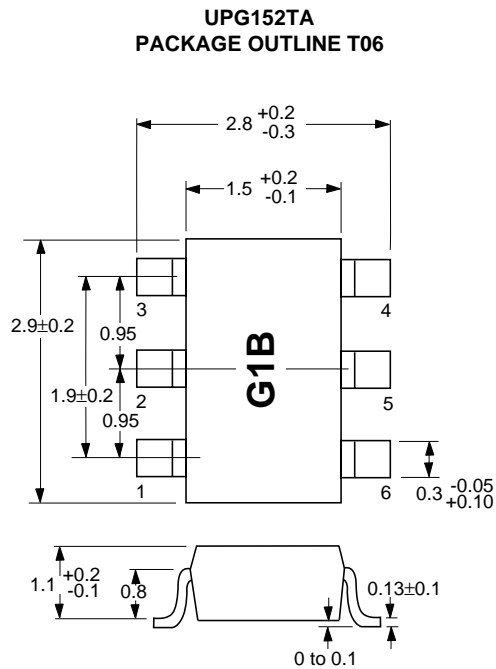
1. Impedance of the output port in the "OFF" state is reflective.

PIN CONNECTION DIAGRAM

PIN NO.	CONNECTION
1	OUT 1
2	GND
3	OUT 2
4	VCONT2
5	IN
6	VCONT1



OUTLINE DIMENSIONS (Units in mm)



All dimensions are typical unless otherwise specified.

ORDERING INFORMATION

PART NUMBER	QTY
UPG152TA-E3	3000/Reel

EXCLUSIVE NORTH AMERICAN AGENT FOR **NEC** RF, MICROWAVE & OPTOELECTRONIC SEMICONDUCTORS

CEL CALIFORNIA EASTERN LABORATORIES • Headquarters • 4590 Patrick Henry Drive • Santa Clara, CA 95054-1817 • (408) 988-3500 • Telex 34-6393 • FAX (408) 988-0279
24-Hour Fax-On-Demand: 800-390-3232 (U.S. and Canada only) • Internet: <http://WWW.CEL.COM>