



Ham Radio Logging Then and Now

N4TL

January 14, 2014

Subjects

- Paper logs
- Early logging & contesting programs
- ADIF
- Which current program is best to use?
- N1MM, DXbase, DXLab, N3FJP, HRD
- LoTW, eQSL, Club Log
- Hard File Backups
- Connecting a computer to a radio

From the ARRL website

By Richard Arnold, AF8X

Hardcopy Logs

The traditional paper log book has been the mainstay of amateur logging since Marconi first made notes on a transmission. If you don't do a lot of award hunting or contesting and you spend most of your time chewing the rag then the log book will meet all of your needs. Plus, there is something warm and personal about a hardcopy log that you can hold in your hand.

Logs

- The FCC no longer requires logs
- The next slide is from a 1960 Short Course for Novices about log requirements

5. What is the log of an amateur station, and what information is required to be entered therein? How long must it be preserved?

A log of an amateur radio station is a written record of certain important information pertaining to any transmission. The data that has to be incorporated in the log is:

- a) the date and each time of transmission
- b) the call sign of the station contacted or called
- c) the frequency band used (this information need be entered once for all transmissions until a change in band is made)
- d) the type of emission used (this need be entered only once until a different emission is contemplated)
- e) the input power to the final amplifier stage or oscillator if no power amplifier is employed (this need be entered once, provided power is not changed)
- f) the location of the fixed station or approximate geographical position of a mobile station (single entry for fixed location and necessary changes when mobile)
- g) the signature of each licensed operator who uses the transmitting equipment and the name of any person not holding a valid license who transmits under supervision of a licensed operator

A log must be retained for one year.

Typical Log

May 1983

DATE	FREQ.	MODE	POWER	TIME	STATION WORKED	REPORT		TIME OFF	QTH	COMMENTS NAME	QSL	
						SENT	REC'D				S	R
5/11	14.0095	A1	1KW	0128	MB5FAM	559	599		VLAD	UKRAINE	✓	
	14.0047	"	"	0156	MD6DFE	^{OSB} 539				AZERBAIJAN	✓	
	14.0252	"	"	0207	ML7CT	599	599			HAZAKH	✓	✓
	7.0036	"	"	0248	MB4UCR	549			UCR?	UKRAINE	✓	
	14.2579	A3	"	2350	AG XAD	59	59			UNITED ARB EM, ISY6Z	✓	257
5/13	21.293.2	A3	600	0008	WLPHZ	58	59120		Frank	adams MASS		
	14.0119	A1	1KW	0306	OD5LX	599	599		TED	BIRUT	✓	✓
5/14	7.0742	^{A3} A1	100	0139	COLRH	57	579		DICK	CUBA	✓	
	7.006.6	A1	100	0154	HH2VP	599	599		VICTOR	HAITI	✓	✓
	50.110	A3	10	1923	HH2PR	57	55		PIERRE	HAITI	✓	✓
	50.102.5	"	"	1939	KV4AD	59	59		But	FI78	✓	
	50.110.	"	"	2024	KG4GN	59	59		GARY		✓	33
	50.121	A1	"	2037	J88AR	449			Robert	ST. VINCENT	✓	34
	50.100	A1	"	2224	W2RHO	599	599	2227	CARL	SYRACUSE	✓	
	50.133	A3	"	2229	WAZ ^{RMK} HAH	57	57	2233	CARL	PA		
	50.133	"	"	2235	WAZ ^{WAZ} ETPR	59	55	2240	CARROLL	LIVERPOOL Syracuse N.Y.		
5/15	28.885.	A3	1KW	1431	ZS3E	58	57		KOSIE	K8EFS		
	"	"	"	1450	W1TMM	89			Bob	Mass		
	28.7133	"	"	1612	A82LC/ELZAH	59	59+	1619	TONY		✓	
5/16	14.025.8	A1	1KW	2258	T77C	599	599				✓	

QSLs Arrive



Check the Log

- Find each entry in the log
- QSLs may be years old
- Search multiple logs
- Do you need to send a card?
- Or is one coming back from a request you made?

Check the Log

- Find each entry in the log
- QSLs may be years old
- Search multiple logs
- Do you need to send a card?
- Or is one coming back from a request you made?

DXCC on paper

THE ARRL DXCC COUNTRIES LIST



Published by
The American Radio Relay League, Inc.
225 Main Street • Newington, CT • 06111 • USA



\$1

For DXCC keep track of

- Not worked
- Worked
- Sent for Card
- Confirmed
- Accepted at the ARRL
- Next submission, which ones are new?



Computer logging

- It is so much easier to let a computer do the work
- When a QSL arrives, it is easy to find the QSO, just type the call, no searching paper logs
- Keeps the records for you
- Prints forms

1994 Logging software (DOS)

DXLOG

plus ClusterLog

The Complete DX Tracking System

Version 1.95

PAUL SOFTWARE

Introduction to DXLOG

Thank you for purchasing DXLOG!

The DX Century Club program, sponsored by the American Radio Relay League, and the Worked All Zones program, sponsored by CQ Magazine are among the most popular awards in amateur radio. With these and so many other awards available, the requirements for record keeping, QSLing, and award form submission can be overwhelming. DXLOG was written by hams at PAYL Software who prefer to spend their time working DX, not keeping records. The time you spend initially entering your DX information will payoff quickly. DXLOG's features make DXing more fun!

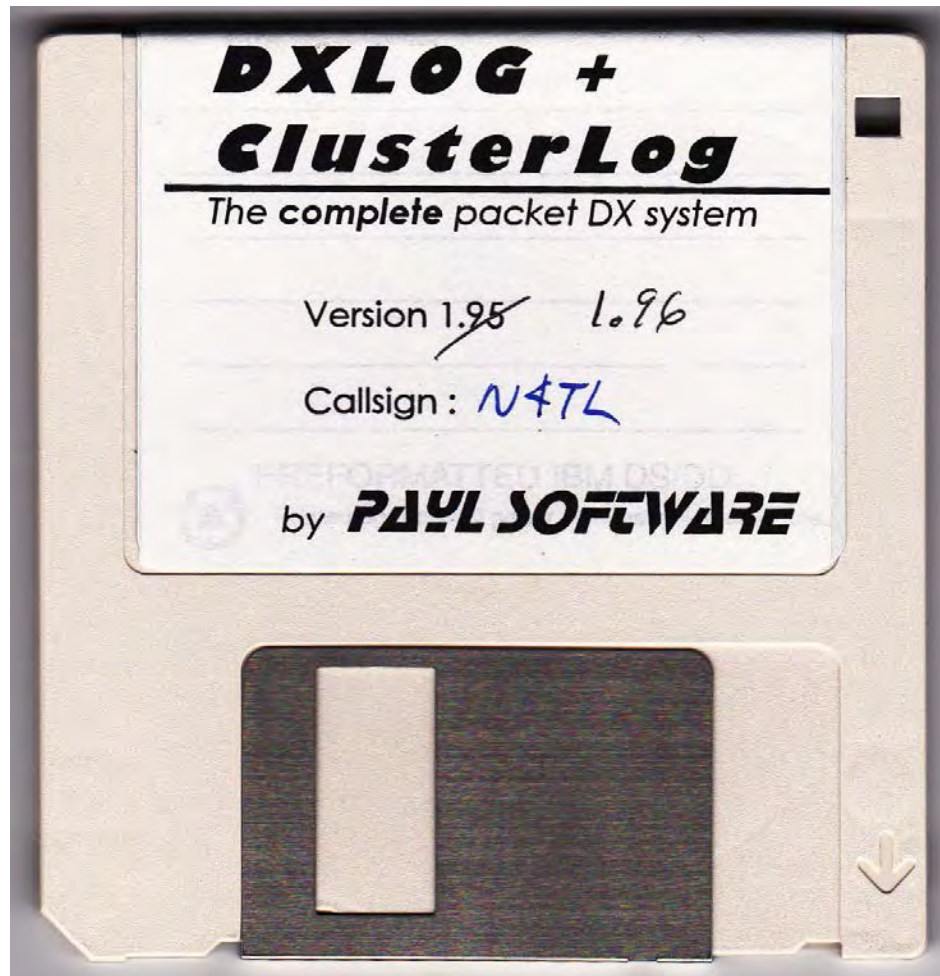
- *Eliminate handwritten logbooks and manual QSL and award records!*
- *Determine worked & needed countries and beam headings - instantly!*
- *Print DXCC, CQ Zone, and WAS References for complete status information!*
- *Know when you are eligible for new awards, then print completed application forms!*
- *Print reports listing outstanding QSLs & produce attractive QSL labels automatically!*
- *Import QSOs and manage QSLs from your contest program files!*
- *Add ClusterLog for full automation of your PacketCluster™ equipped station!*



PacketCluster®

- Developed by Dick Newell, AK1A
- First ® in 1986
- System to share DX & Contesting information via Packet Radio (VHF)
- Multiple connections to one TNC
- Kantronics TNC allowed 26 connections
- Over the years, moved to the internet with new software

DX Log



DXLOG Main Menu

A screenshot of a Windows Command Prompt window titled "Command Prompt - tllog". The window has a blue title bar and a dark green background. The text "DXLOG Main Menu" is centered at the top. Below it is a list of menu options, each with a letter on the left and a description on the right. The first option, "C QuickCheck", is highlighted with a blue bar. The other options are "E Edit QSOs", "Q QSL Functions", "D DXCC Functions", "Z Zone Functions", "O Other Awards", "U Utilities", and "X Exit DXLOG". At the bottom of the window, there is a line of text: "List all QSOs with a given country or callsign, or view your logbook."

```
Command Prompt - tllog

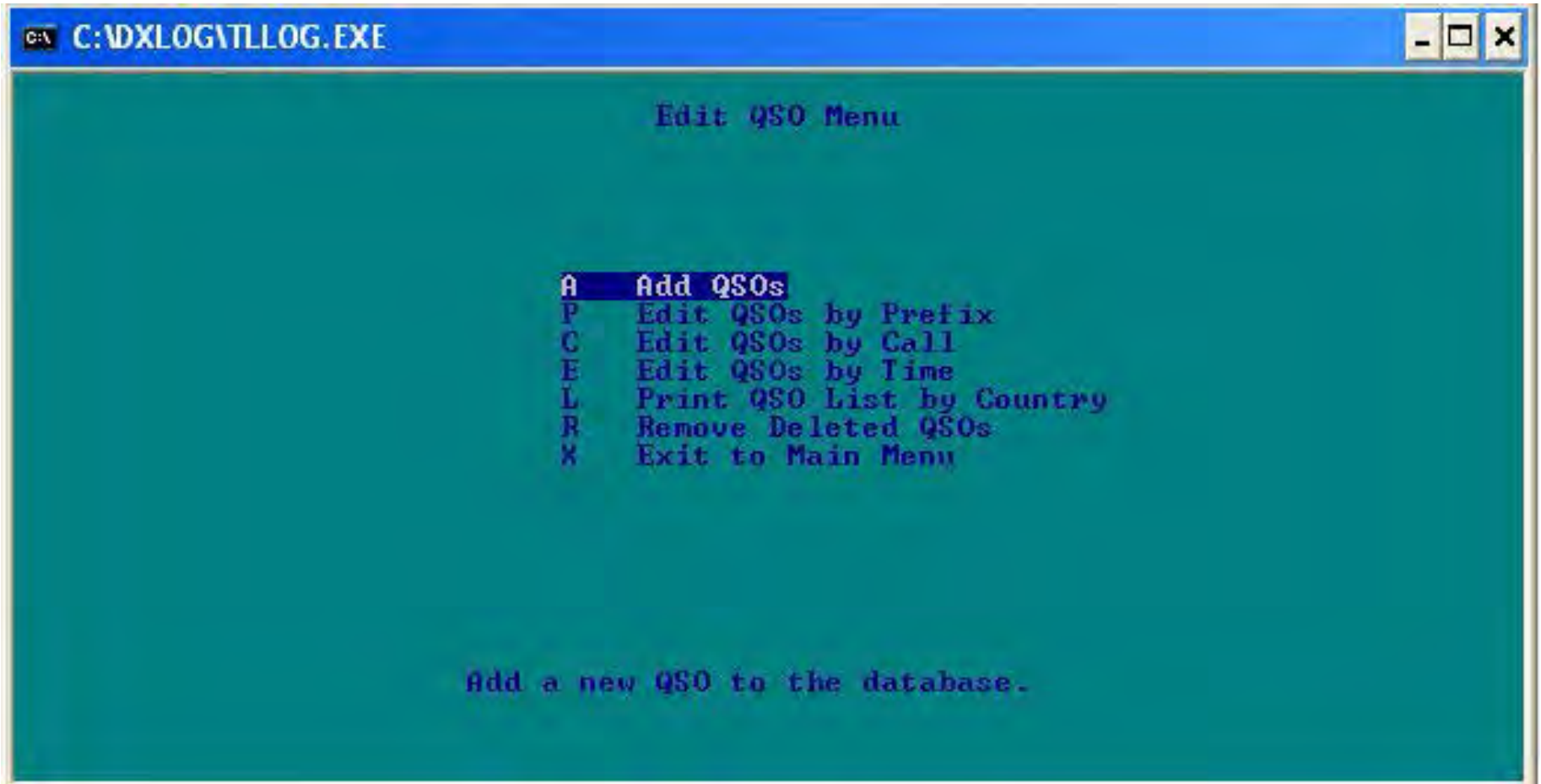
DXLOG Main Menu

C QuickCheck
E Edit QSOs
Q QSL Functions
D DXCC Functions
Z Zone Functions
O Other Awards
U Utilities
X Exit DXLOG

List all QSOs with a given country or callsign, or view your logbook.
```

- No Mouse needed

DXLOG Edit QSO Menu



DXLOG QSO input

C:\DXLOG\TLLOG.EXE

QSO Input Screen

Callsign	<input type="text"/>	Prefix	<input type="text"/>	*	Zone	<input type="text"/>
Date D/M/Y	<input type="text"/>	Time	<input type="text"/>	Z		
Frequency	<input type="text" value="0.000"/>					
Mode	<input type="text"/>					
RST sent	<input type="text"/>	received	<input type="text"/>			
Confirmed?	<input type="text" value="N"/>					
Manager	<input type="text"/>					
Print QSL?	<input type="text" value="N"/>					
Sent QSL?	<input type="text" value="N"/>					
Sent via	<input type="text"/>					
Comments	<input type="text"/>					

DX Log

- Year 2000 shown as 19100
- Fixed for year 2000
- Never updated for Windows
- I did not log all my contacts in it
- Only the ones for DXCC & WAS
- No connection to the Radio

Contesting

- Different requirement from general logging
- Rules different for various contests
- Different Log sheets for each contest
- Some require a Log sheet for each band
- Need dupe sheets
- Score sheet

US Dupe Sheet

<div style="display: flex; justify-content: space-between; align-items: center;"> <u>NYTL</u> CALL CONTEST DUPE SHEET <u>15M</u> BAND <u>SSB</u> MODE </div>										
	AA—AL complete	KA—KZ callsign ←	K	N	W	WA suffixes only	WB	WD	VE →	
1	AAIQ	KAIEUQ								1
2			TR							2
3										3

Early Contesting Software

- CT by K1EA for DOS still available
- CT DOS version 9.89.003
- www.k1ea.com/download/index.htm
- CT was updated to run on Windows
- CTWIN 10.04.001
- Website last modified on 12 Dec 2008

Contesting Software

- Knows Contests rules
- Keeps your score
- Shows dupes before you work them
- Sends CW
- Prints forms to send to the organization running the contest
- Exports log for importing to another program (ADIF)

ADIF

- What ever program you use it should have the ability to export and import ADIF files
- ADIF is Amateur Data Interchange Format
- ADIF is an open standard for exchange of data between ham radio software packages available from different vendors
- All of the ones I looked at have this

Date and Time

- The date and time for the log is read from the computers Operating System
- The computer's Real Time clock is not a precision instrument
- It can be set from an Internet time server
- Modern Logging programs automatically adjust from local time to UTC

Computer to Radio connection

- “Newer” radios have a computer interface
- You have to go back many years to find one without this
- This allows logging programs to read & write the frequency & Mode
- Reduces the problem with the wrong band or frequency in the log

Call, Name

- You still have to type the Call Sign, Signal Report, Name and any notes you want

Which Logging program is best?

- Good question
- All depends on what a person likes
- I asked via email, Which programs are being used for logging, contesting, DX
- 42 responses for 22 different programs

Contesting

- For contests the clear winner by a huge margin is N1MM
- N1MM 24
- N3FPJ 4
- Paper 3
- N1MM, Its free and well supported
- More later

Everyday & DX

- DXLab 13 13
- Paper 10 4
- N3FJP 6 5
- DX4WIN 3 2
- WIN-EQF 3 3
- And many others
- Ham Radio Deluxe 1 user

Paper

- A few people said they only use paper
- A few others say they log on paper and then enter it to a logging program

Larger Survey

- My survey only had 42 responses
- Need a larger sample size
- I looked at eHam reviews for a larger group

eHam Software Reviews

eHam.net Home - Amateur Radio (Ham Radio) Community Site - Mozilla Firefox

File Edit View History Bookmarks Tools Help

COASTAL - Check With Us First. Yahoo!

www.eham.net

eHam.net ham radio on the net

International Antenna Company
Inverted-L Bazooka

eHam.net Home | **FAQ** | Please Subscribe | Welcome N4TL | Log Out

Call Search [input] GO!

WaveNode
DIGITAL STATION MONITORING

New to Ham Radio?
My Profile

Community
Articles
Forums
News
Reviews
Friends Remembered
Strays
Survey Question

Operating
Contesting
DX Cluster Spots
Propagation

Resources
Calendar
Classifieds
Ham Exams
Ham Links
List Archives
News Articles
Product Reviews
QSL Managers

Site Info
eHam Help (FAQ)
Support the site
The eHam Team
Advertising Info
Vision Statement
About eHam.net

Articles [View More Articles!](#)

The Flea Market
N4KC presents a short story
Resonant Listening Antennas -- Why?
VE3CNU shares his revelation
Smart Meter Interference to 902-928 MHz
Are these units having a detrimental effect on ham radio?
From Father to Son
A father helps a son develop an interest in Amateur Radio, first in the 1960s and again in 2002, after becoming a silent key.
A Tuner's Effect At The Antenna
W5DXP explains what an antenna tuner really does
Planned Obsolescence in Ham Radio Gear?
Is quality control the problem, or is the issue larger?
What To Do With All Your Junk! A Project
Before you go to that great Hamfest in the sky, take care of your unfinished business.
Simple, Inexpensive Coax Connector Tool
An "eHam Classic" by K9RFZ
PLEASE DO NOT WIRE MONEY TO ANYONE
Scammer alert
40 80 Meter GP Vertical
Have a small lot and want good performance? Check this antenna out!

Killing Radios
Is antenna cross talk damaging your rigs?

Product Reviews [View More Reviews!](#)

Kenwood TS-870S - *Kenwood Audio!*
Victor Frequency Counter VC-3165 - *Very accurate for me. It's a great deal.*
Ameritron ALB11HD - *Cool Customer On AM*
Yaesu FT-757GXII - *I like this radio*
Steppir 2 element - *Second winter and still working!*


Classifieds [View More Classifieds!](#)

Apr 13	Kenwood TS-950SD	W80C
Apr 13	MOTOROLA MT 1000	W7ROY
Apr 13	IC-7200 Trade	NW9R
Apr 13	National NC-125 Receiver	KK4WS
Apr 13	Eico Model 720 Transmitter	KK4WS

News [View More Ham News!](#)

Great Reception for Trowbridge Radio Club's Achievements:

Spotlight **KE6MTX Vacation Station**


This is my Winnebago vacation station. From left to right is... MacBook for logging and repeater searching. A Kenwood TS-2000 with the LDG Z100 autotuner on top of the TS-2k and a Astron RS-35M. Antennas are a Hy-Gain DX-88, homebrew 1/2 dipole for 6 Meters, and a Diamond SG7900 for 2 meters and 70 centimeters. This picture was taken on 7/24/08 at +41° 3' 12", -81° 50' 23"

[Add Spotlight!](#) [Spotlight Gallery!](#)

Strays [Add a Stray!](#)

Twenty years from now you will be more disappointed in the things you didn't do, rather than the things you did. - Mark Twain

[W3XY](#)

Forums [View All Forums](#)

Hot topics in Company Reviews Forum:

- [The Antenna Farm again](#)
- [AES Amateur Electronic Supply](#)
- [Ham Radio Outlet service is Outstanding!](#)
- [LIDO MOUNTS](#)
- [Is the Wireman still open?](#)
- [GigaParts](#)

Ham Radio Links [View More Links!](#)

Last 5 Rated	Avg. Rating
South East Texas Amateur Club	2.7
HAM auction	1.7
OM Callbook	2.0
BBLOGGER logging software	3.7
Arkansas River Valley Amateur Radio Foundation	2.3

There are 5494 total links!

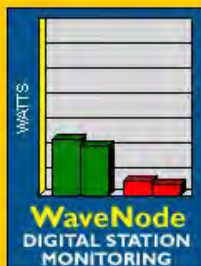
Friends Remembered [View More](#)

[Robert Anderson \(K2BJG\)](#)
[SAM F BARIBEAU \(W9SFB\)](#)
[James Dover \(N4SDU/W1OB\)](#)
[Don Barber \(K14VS\)](#)
[Joanne P. Klebba \(K6JPK\)](#)

start | D:\base 2007 | eHam.net Home - Am... | Paint Shop Pro - eha... | C:\ham\Computer Lo... | 2:55 PM

Call Search

GO!



New to Ham Radio?
[My Profile](#)

Community

- [Articles](#)
- [Forums](#)
- [News](#)
- [Reviews](#)
- [Friends Remembered](#)
- [Strays](#)
- [Survey Question](#)

Operating

- [Contesting](#)
- [DX Cluster Spots](#)
- [Propagation](#)

Resources

- [Calendar](#)
- [Classifieds](#)
- [Ham Exams](#)
- [Ham Links](#)
- [List Archives](#)
- [News Articles](#)
- [Product Reviews](#)

Articles

[View More Articles!](#)

[The Flea Market](#)

N4KC presents a short story

[Resonant Listening Antennas -- Why?](#)

VE3CNU shares his revelation

[Smart Meter Interference to 902.928 MHz](#)

Are these units having a detrimental effect on ham radio?

[From Father to Son](#)

A father helps a son develop an interest in Amateur Radio, first in the 1960s and again in 2002, after becoming a silent key.

[A Tuner's Effect At The Antenna](#)

W5DXP explains what an antenna tuner really does

[Planned Obsolescence in Ham Radio Gear?](#)

Is quality control the problem, or is the issue larger?

[What To Do With All Your Junk! A Project](#)

Before you go to that great Hamfest in the sky, take care of your unfinished business.

[Simple, Inexpensive Coax Connector Tool](#)

An "eHam Classic" by K9RFZ

[PLEASE DO NOT WIRE MONEY TO ANYONE](#)

Scammer alert

[40 80 Meter GP Vertical](#)



Have a small lot and want good performance? Check this antenna out!

[Killing Radios](#)

Is antenna cross talk damaging your rigs?

Product Reviews

[View More Reviews!](#)

[Kenwood TS-870S](#) - *Kenwood Audio!*

[Victor Frequency Counter VC-3165](#) - *Very accurate for me. It's a great deal.*

[Ameritron AL811HD](#) - *Cool Customer On AM*

[Yaesu FT-757GXII](#) - *I like this radio*

[Steppir 2 element](#) - *Second winter and still working!*



Call Search

 [GO!](#)

ExcelTech Optics, Inc.

www.exceltechoptic...
Experts In Data
Connectivity SFP(+),
XFP, QSFP, DAC,
AOC

AdChoices

New to Ham Radio?
[My Profile](#)

Community

- [Articles](#)
- [Forums](#)
- [News](#)
- [Reviews](#)
- [Friends Remembered](#)
- [Strays](#)
- [Survey Question](#)

Operating

- [Contesting](#)
- [DX Cluster Spots](#)
- [Propagation](#)

Resources

- [Calendar](#)
- [Classifieds](#)
- [Ham Exams](#)
- [Ham Links](#)
- [List Archives](#)
- [News Articles](#)
- [Product Reviews](#)
- [QSL Managers](#)

Site Info

[eHam Help \(FAQ\)](#)

Welcome to eHam.net Reviews

Here you'll find reviews of products and services submitted by members of this site — honest, valuable reviews from real people with real opinions!

There are 101642 reviews on 9706 different amateur radio products and services.

To browse the reviews or to write your own review, follow the links in the table below.

If you would like to add a review of your own for a product:

- Navigate to the appropriate category in the listing below.
- Navigate to the review listing of the product that you would like to review.
- Click the link "write your own review" located at the top of the reviews listing page under the Reviews Summary box for the product.

Please read the eHam Product Reviews Guidelines before submitting a review. These guidelines are located in the right hand sidebar on this page.

To add a new product to a Category click the Category in the listing below. At the top of the Category listing page click on "add new product service" to add the product. Be sure to browse the Category listings to be sure the product hasn't already been added.

To request a new category, please email the [Reviews Manager](#).

Category # of Products	Last Review
Amateur Radio Equipment Repair (135)	12-Apr-2013
Amateur Radio Periodicals (47)	14-Mar-2013
Amplifiers: HF & HF+6M (229)	12-Apr-2013
Amplifiers: 6M/VHF/UHF+ (164)	07-Apr-2013
Antenna Analyzers (77)	11-Apr-2013
Antenna parts, accessories, incl. baluns, hardware, etc. (139)	10-Apr-2013
Antenna Rotators & Accessories (69)	29-Mar-2013
Antenna Switching, Phasing, Controllers (101)	10-Apr-2013

Follow the links in the table to read reviews.

You can also [add a new product or service](#) in the Ham Software - Logging category.

Product ▲	Reviews	Average rating	Last review	MSRP
59+ Log, Analyzer, Converter	4	4.3	31-Dec-2003	\$25
AALog for Windows 3.1/9x/NT	17	4.8	08-Nov-2009	\$49.00
AATest	1	5.0	19-Oct-2005	\$free
AC Log by N3FJP	155	4.8	06-Mar-2013	\$15.00
Aether (Logger) by Andrew Madsen	13	4.8	17-Sep-2012	\$\$39.00
AIO (All In One) by WD8KNC	2	3.0	21-Jul-2012	\$Free
ARRL - Logbook of the World - LoTW	466	3.3	11-Apr-2013	\$00.00
Blogger	11	4.8	03-Aug-2012	\$FREE
Cab-converter v1.01	3	5.0	15-Mar-2006	\$free
Clublog	10	4.9	08-Oct-2012	\$Free
CommCat	30	5.0	07-Aug-2012	\$49.95 d/l Demo d/l free
CommCat Mobile	6	5.0	13-Nov-2012	\$FREE
Contest Log Checker	1	2.0	01-Nov-2011	\$25
CQ/X by N05W	2	5.0	18-Jul-2009	\$FREE
CQRLOG for Linux	11	4.1	17-Jan-2012	\$0 - free
CT by K1EA	10	3.9	28-Apr-2006	\$Free
DH9SB WordPress ADIF Log Search Widget	2	3.5	03-Feb-2012	\$freeware
DX Tracker	3	4.3	29-Nov-2004	\$39.95
DX4Win	59	4.0	05-Jan-2013	\$89.95

Many Reviews

- 99 Logging programs listed
- Many with single review
- Ham Radio Deluxe listed under “Ham Software - Other than logging”
- 100 total
- Next Slide shows 21 with the most reviews

Sorted by # of Reviews

1	Product	Reviews	Average rating	Last review	MSRP
2	ARRL - Logbook of the World - LoTW	466	3.3	11-Apr-2013	\$0.00
3	Ham Radio Deluxe	292	4.4	6-Aug-2013	\$99
4	AC Log by N3FJP	155	4.8	06-Mar-2013	\$15.00
5	MacLoggerDX	113	4.8	23-Mar-2013	\$95.00
6	DXLab by AA6YQ	109	4.8	09-Apr-2013	\$Free
7	N1MMlogger	73	4.7	08-Apr-2013	\$0.00
8	Prolog2K	64	4.8	27-Aug-2012	\$60 USD
9	Win-EQF	62	4.9	16-Jul-2012	\$59.95
10	DX4Win	59	4.0	05-Jan-2013	\$89.95
11	DXBase 2000 and later versions	55	4.5	30-Nov-2012	\$99
12	N3FJP Contesting Software	52	4.9	27-Mar-2013	\$6.00
13	Winlog32	51	4.6	13-Mar-2013	\$0.00
14	Logger32	42	4.8	11-Dec-2012	\$FREE
15	WriteLog by W5XD	41	4.4	12-Jan-2012	\$75.00
16	Log Window	35	4.0	12-Jan-2011	\$89.95
17	Logger	34	4.4	21-Mar-2006	\$0.00
18	CommCat	30	5.0	07-Aug-2012	\$49.95 d/l Demo d/l free
19	LOGic 8 - Logging for windows	26	4.8	27-Aug-2011	\$129 new, \$69 & \$39 upgrade
20	SD by EI5DI	26	4.7	04-Feb-2013	\$shareware - 20 Euros Reg
21	LOGic 5.0 for Windows	24	3.6	16-Oct-2003	\$129
22	Win-Test contest logging software	23	4.7	22-Mar-2011	\$45.00 EU

Sorted by # Rating

- Next slide shows the prior slide
- Sorted by Rating

Sorted by Rating

1	Product	Reviews	Average rating	Last review	MSRP
2	CommCat	30	5.0	07-Aug-2012	\$49.95 d/l Demo d/l free
3	Win-EQF	62	4.9	16-Jul-2012	\$59.95
4	N3FJP Contesting Software	52	4.9	27-Mar-2013	\$6.00
5	AC Log by N3FJP	155	4.8	06-Mar-2013	\$15.00
6	MacLoggerDX	113	4.8	23-Mar-2013	\$95.00
7	DXLab by AA6YQ	109	4.8	09-Apr-2013	\$Free
8	Prolog2K	64	4.8	27-Aug-2012	\$60 USD
9	Logger32	42	4.8	11-Dec-2012	\$FREE
10	LOGic 8 - Logging for windows	26	4.8	27-Aug-2011	\$129 new, \$69 & \$39 upgrade
11	N1MMlogger	73	4.7	08-Apr-2013	\$0.00
12	SD by EI5DI	26	4.7	04-Feb-2013	Shareware - 20 Euros Reg
13	Win-Test contest logging software	23	4.7	22-Mar-2011	\$45.00 EU
14	Winlog32	51	4.6	13-Mar-2013	\$0.00
15	DXBase 2000 and later versions	55	4.5	30-Nov-2012	\$99
16	Ham Radio Deluxe	292	4.4	6-Aug-2013	\$99
17	WriteLog by W5XD	41	4.4	12-Jan-2012	\$75.00
18	Logger	34	4.4	21-Mar-2006	\$0.00
19	DX4Win	59	4.0	05-Jan-2013	\$89.95
20	Log Window	35	4.0	12-Jan-2011	\$89.95
21	LOGic 5.0 for Windows	24	3.6	16-Oct-2003	\$129
22	ARRL - Logbook of the World - LoTW	466	3.3	11-Apr-2013	\$0.00

How do you choose?

- Read the reviews
- Try it before buying it
- Talk to friends
- How good is the support?
- Many have reflectors for help
- Maybe we could have a presentation on one that QCWA members are interested in



Logging Programs

- N1MM Free, Supports many contests
- HRD 6.0 \$99.95
- DXLAB Free
- N3FJP \$24.95, contests additional
- DX4WIN \$89.95
- WIN-EQF \$59.95
- MACLOGGER \$95
- COMMCAT \$49.95

Contesting software, N1MM

- Very popular contest program
- Web site has a lot of information
- The website has instructional videos
- www.n1mm.com

Northern California Contest Club

- www.nccc.cc/webinars.html
- “N1MM: How To Configure And Operate”
- They also have a good RTTY webinar
- “RTTY For Newbies”
- They show how to operate RTTY
- And how to use RTTY in N1MM

NCCC Webinars

Previous Webinars

- July 8, 2009: "How to set up a Microham keyer", Ira (K2RD) -- Recording available [here](#) (62 MB)
- July 22, 2009: "Homebrewing a micro based (SO2R) station controller", Jack (KF6T) -- Recording available [here](#)
- August 12, 2009: "N1MM: How To Configure And Operate", John (K6MM) -- Recording available [here](#) (173 MB)
- August 26, 2009: "WriteLog: How To Configure And Operate", Mark (K6UFO) -- Recording available [here](#) (108 MB)
- September 2, 2009: "A 160m Helically Wound Vertical", John (K6MM) -- Recording available [here](#) (50 MB)
- September 24, 2009: "Hints and Kinks for Using HFTA", Dean (N6BV) -- Recording available [here](#) (137 MB)
- October 14, 2009 (NCCC/PVRC Joint Webinar): "A 160m Helically Wound Vertical", John (K6MM) -- Recording available [here](#) (95 MB)
- December 9, 2009: "RTTY For Newbies", (Fred, K6DGW; John, K6MM; Dean, N6DE; Iain, N6ML) -- Recording available [here](#) (115 MB)
- February 2, 2010: "How to Operate the CW Sprint", (Bob, N6TV) -- Recording available [here](#) (38 MB)
- June 7, 2010: "Tactical Use of Propagation Predictions for HF Contesting", (Dean, N6BV) -- Recording available [here](#) (83 MB). PDF version of the presentation available [here](#).
- November 23, 2010: "HF Propagation and Sporadic-E, a Case Study: WRTC 2010", (Dean, N6BV) -- Recording available [here](#) (50 MB). PDF version of the presentation available [here](#).
- August 30, 2011: "Improving Your CW Contest Speed", (Dean, N6DE) -- Recording available [here](#) (19 MB).
- September 22, 2011: "Contesting Basics", (Bob, K6XX) -- Recording available [here](#) (137 MB).
- October 18, 2011: "Antennas For Contesting", (Dean, N6BV) -- Recording available [here](#) (185 MB).
- October 25, 2011: "Logging Accuracy: Error Control For SS", (Tom, ND2T) -- Recording available [here](#) (130 MB).
- November 15, 2011: "Recording & Using Voice Messages", (Jim, K9YC) -- Recording available [here](#) (340 MB)
- February 11, 2013: "General Meeting" -- No recording available -- technical difficulties

N1MM

The screenshot displays the N1MM software interface on a Windows XP desktop. The background is a blue sky with clouds. The desktop has several icons: New Text Document, CW Scrubber, Google Earth, Paint Shop Pro, DXbase 2007, Mozilla Firefox, ham, and Microsoft Office Excel. The taskbar at the bottom shows the Start button and several open applications: Windows Explorer, Microsoft PowerPoint, DXbase 2007, Paint Shop Pro, and the N1MM interface window.

The N1MM interface consists of several windows:

- IC-756PROIII (Left):** Shows the frequency 14254.91 and the mode USB. A vertical scale on the left ranges from 14235 to 14275. A red text overlay indicates "LU3HV 168° NEW 584AFM/P 49°".
- Telnet Window (Top Center):** Host: DXC.N3ME.NET - Timeout: 60 minutes. It displays a list of received packets with columns for Packet, Telnet, Type, and N3ME. The log shows various stations and their call signs, such as 50103.0 U311U, 50276.0 W5ADD, and 14260.0 584AFM/P.
- Log Window (Bottom Right):** Titled "6/23/2013 23:14:57Z WPX RTTY - N4TL-2011.MDB". It contains a table with columns: TS, Call, Freq, SNT, RCV, Sent, NR, Prefix, Mult, Points. The table lists various stations and their performance metrics.
- Control Panel (Bottom Center):** Titled "14254.91 USB IC-756PROIII". It features a menu (File, Edit, View, Tools, Config, Window, Help) and a grid of function keys (F1-F12) with labels like "Snt", "Rcv", "SntNR", "RcvNR", "Wipe", "Log", "Edit", "Mark", "Store", "Spot It", "Buck", "Esc: Stop", "F1 S&P CQ", "F2 Exch", "F3 Thankst", "F4 N4TL", "Running", "F5 His Call", "F6 QSD B4", "F7 QRZ?", "F8 Again", "F9 NR?", "F10 Prec?", "F11 CK?", "F12 Sect?". It also shows "Bearing information appears here." and "CW Speed = 32".

N1MM

The image shows a screenshot of the N1MM software interface. On the left, a vertical frequency scale is visible with a blue arrow pointing to 14255. A red callout points to 14260 with the text "LU3HV 168° NEW 5B4AFM/P 49°". The main window, titled "14254.91 USB IC-756PROIII", contains a menu bar (File, Edit, View, Tools, Config, Window, Help) and several input fields for Snt, Rcv, SntNR, and RcvNR. Below these are buttons for Wipe, Log It, Edit, Mark, Store, Spot It, and Buck. A grid of function keys (F1-F12) is present, with F1-F4 in the first row and F5-F12 in the second row. The status bar at the bottom shows "CW Speed = 32", "269/188", and "133,104".

14255

14260 LU3HV 168° NEW 5B4AFM/P 49°

14265

14270

14275

New Text Document.txt

CW Scrubber for sale.txt

14254.91 USB IC-756PROIII

File Edit View Tools Config Window Help

Snt Rcv SntNR RcvNR

0

Wipe Log It Edit Mark Store Spot It Buck

Esc: Stop	F1 S&P CQ	F2 Exch	F3 Thanks!	F4 N4TL
Running	F5 His Call	F6 QSO B4	F7 QRZ?	F8 Again
	F9 NR?	F10 Prec?	F11 CK?	F12 Sect?

Bearing information appears here.

CW Speed = 32 269/188 133,104

N1MM RTTY

14201.28 DI1 RTTY Mode - Soundcard (MMTTY)

Setup Interface Help

TX Letters/Figs MouseOver

0 P

```
FFB
O
MWEZ
NEVEZ:*T
XXMTFIUTBZURY/211&s.-.s915
h7(1Q)*583(-7'.CCIWEFGVJHT02 HKO(7 PLV.
IRHKMSCSOXBU00KB..11NVMXXSJIEJQ1WXYKIZGGY/'
GGQJEN
PVFMDNG
```

Clr RX Align TX **RX** AFC HAM

abce

Grab CLR

14200.00 USB Manual - A

File Edit View Tools Config Window Help

Snt	Rcv	SntNR	RcvNR
			0

SP Wipe Log It Edit Mark Store Spot It Buck

Esc: Stop	F1 S&P CQ	F2 Exch	F3 TU	F4 N4TL
Running	F5 MY info	F6 B4	F7 QRZ	F8 Agn
	F9 Nr?	F10 Sect?	F11 Zn?	F12 NO TU

269/188 133.104

RTTY Engine 1

View(V) Option(O) Profiles(S)

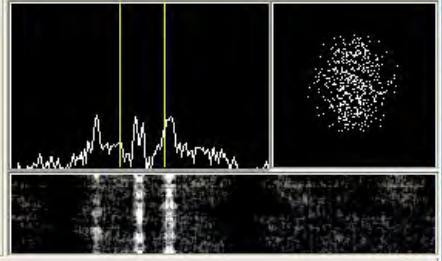
Control

FIG Mark 1275 Hz Type Rev. HAM

UOS Shift 170 Hz SQ Not. BPF

TX BW 60 Hz

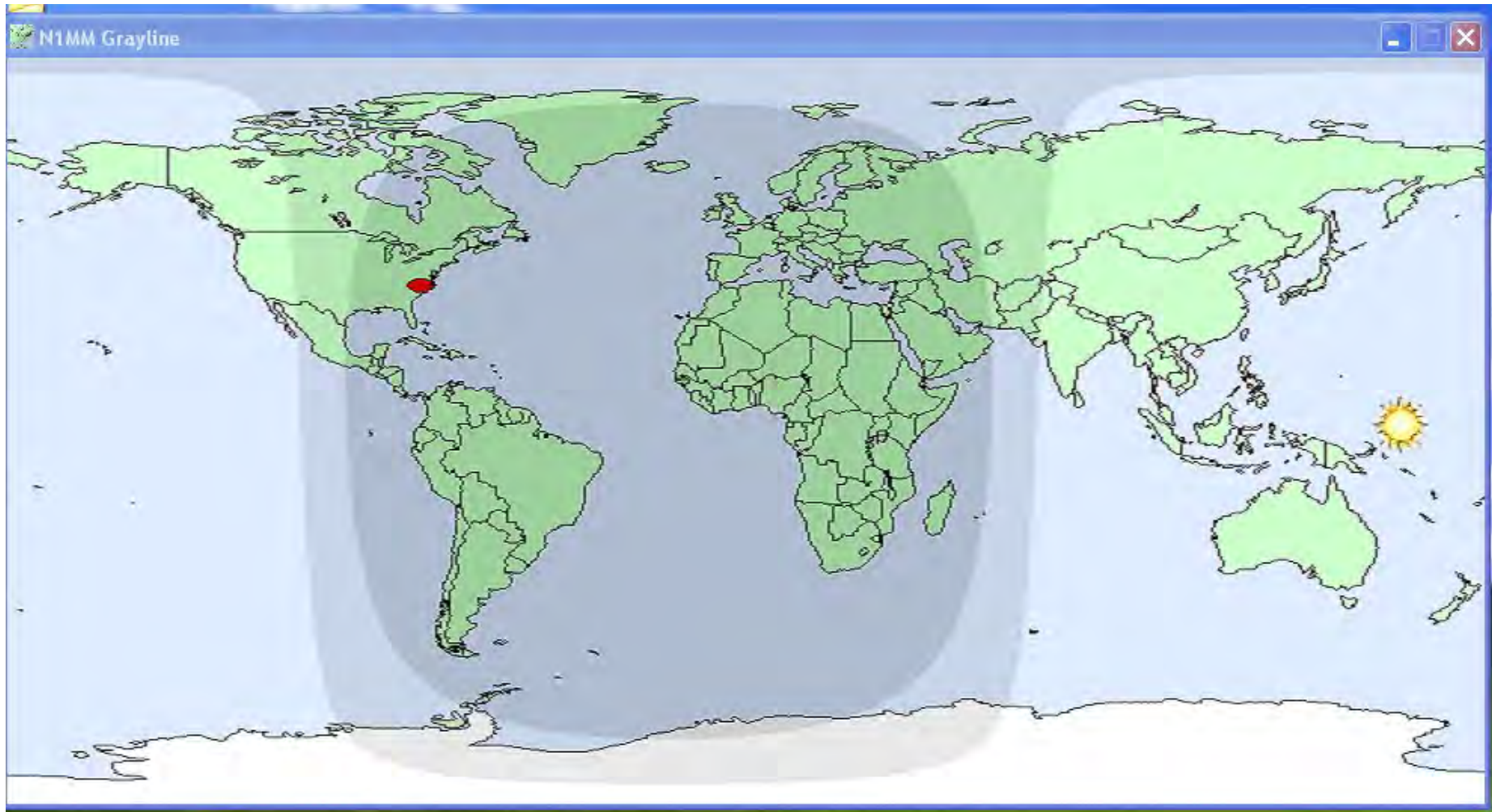
TXOFF AV. 70 Hz ATC NET AFC



After the contest

- Export a Cabrillo file and send it in
- Export an ADIF file & Import in to your logging program
- Now you can answer QSL card requests with the logging program
- And you have all contacts in one place

N1MM Grayline



HRD SOFTWARE LLC

Home

FAQs

About

News

Products

Downloads

Support

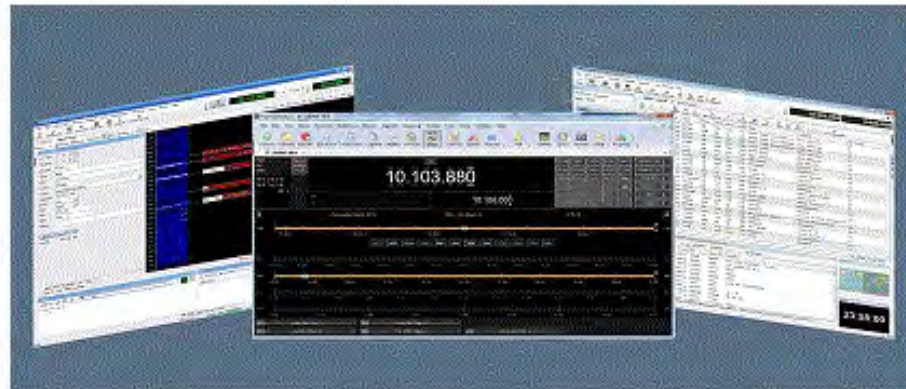
Calendar

Contact

BUY

Welcome to the HRD site.

TO BUY HRD [Click HERE](#)



30 Day free full featured demo of HRD 6.1!

[Live - Version 6.1.02 Release Available Click Here](#)

HRD 6.0:

[Version 6 Release Still Available, Click Here](#)

HRD Version 6

- The October issue of CQ magazine has a 5 page review of HRD Version 6
- See Pages 46 to 50
- Back issues of CQ are available
- <http://www.cq-amateur-radio.com/>

DXBase 2007

DXbase 2007

File Edit Record View Tools Output Window Programs Help

Internet Cluster

CM	OSY	ALE	Messages	
461	X	DX	DX de VE3ELX: 50276.0 W2RXG	EL98<=>EN92 JT65 +K 0027Z ON
462	X	DX	DX de CU3AC: 14260.0 CG9D	AF-046 - Deserta Grande Is. 0027Z CU
463	X	DX	DX de K4IC: 14265.0 A92HK	A9 0027Z FL
464	X	DX	DX de AD5YB: 14203.0 M0DXR	G 0027Z MS
465	X	DX	DX de K1EVJY: 50098.0 JA0RUG	CM97<ES>PM97 JA 0028Z CA

DX Info

OSY	Heed	KHz	DX Call	Time	Remarks	Origin	Date	SRC
NET	<input checked="" type="checkbox"/>	DX BAND	50079.3	JX7SIX	2339 539	JX 2339Z SM	SMOKAK	2013-07-
NET	<input checked="" type="checkbox"/>	DX BAND	50110.0	BPOA	2341	BV 2341Z BV	BV7FO	2013-07-
NET	<input checked="" type="checkbox"/>	DX BAND	3511.2	R13CWC	2343	UA 2343Z UA9	R9CAC	2013-07-
NET	<input checked="" type="checkbox"/>	DX BAND	1843.0	CX7OV	2349	CX 2349Z PY	PY3CEJ	2013-07-
NET	<input checked="" type="checkbox"/>	DX BAND	50050.9	LA7SIX	2350	weak in/out LA 2350Z OZ	OZ2SYV	2013-07-

QSO Log for N4TL.MDB

Date	Time	Callsign	RSTs	RSTr	flame	OTH	Notes	Prefix	CO	ITU	Mode	Frequency	Band	State	IOTA	GRID	CFM	QSLs	QSL Via	Valid	LOTWREC
2013-07-20	22:17:28	W7PU	599	599	AARC			K	03	06	RTTY	14115.00	20	WA			No	No	None		
2013-07-20	22:19:32	AD5XD	599	599	MILT			K	04	07	RTTY	14109.00	20	TX			No	No	None		
2013-07-20	22:21:55	K7OX	599	599	GARY			K	03	06	RTTY	14107.00	20	WA			No	No	None		
2013-07-20	22:23:21	A45AU	599	599	DON			K	04	07	RTTY	14104.00	20	LA			No	No	None		
2013-07-20	22:24:51	CU5AQ	599	599	ABILIO			CU	14	36	RTTY	14102.00	20				No	No	None		
2013-07-20	22:28:59	W3FIZ	599	599	PAT			K	05	08	RTTY	14097.00	20	PA			No	No	None		
2013-07-20	22:32:14	NK7U	599	599	JOE			K	03	06	RTTY	14094.00	20	OR			No	No	None		
2013-07-20	22:35:33	K1SD	599	599	JIM			K	05	08	RTTY	14093.00	20	RI			No	No	None		
2013-07-20	22:37:04	NX5O	599	599	CRAIG			K	04	07	RTTY	14089.00	20	OK			No	No	None		
2013-07-20	22:59:01	K9NR	599	599	DON			K	04	08	RTTY	14082.00	20	IL			No	No	None		
2013-07-20	23:00:09	NC7Q	599	599	MIKE			K	03	06	RTTY	14080.00	20	WA			No	No	None		
2013-07-20	23:01:26	W5JK	599	599	STEVE			K	04	07	RTTY	14083.00	20	TX			No	No	None		
2013-07-20	23:02:45	VE2FK	599	599	CLAU...			VE	05	04	RTTY	14084.00	20				No	No	None		
2013-07-20	23:06:55	K5RZA	599	599	DEBO...			K	04	07	RTTY	14089.00	20	TX			No	No	None		
2013-07-20	23:08:31	N6QQ	599	599	JOHN			K	03	06	RTTY	14092.00	20	CA			No	No	None		
2013-07-20	23:13:59	WD0T	59	59				K	04	07	USB	50134.08	6	SD		DN94	No	No	None		
2013-07-21	15:57:06	W5PR	59	59				K	04	07	USB	50137.19	6			EL29	No	No	None		
2013-07-21	16:00:14	NR5M	59	59				K	04	07	USB	50131.46	6	TX		EM10WD	No	No	None		
2013-07-27	00:33:54	KP4EIT	57	59				KP4	08	11	USB	50124.98	6			FK68	No	No	None		

Record 42780

492 X DX DX de JF2TAR: 50052.0 K0GU up +K 0031Z JA

493 X DX DX de N7NM: 50082.1 KOHA CN87<=>EN10 CQ DX 599 +K 0033Z WA

494 X DX DX de W3KX: 10105.0 TM2BI +F 0033Z MD

495 X DX DX de JE0IBO-7: 21013.0 BY4IB/4 AS-146 +BY 0033Z JA

496 X DX DX de V4IMD: 50143.0 N3MK FM27 +K 0034Z GA

497 X DX DX de W7MEM: 50068.0 K0EC/B DN17NT<ES>EN36 559 K 0034Z ID

498 X DX DX de AA4SC: 50125.0 KP4EIT KP4 0034Z SC

499 X DX DX de PY3OZ: 18075.0 PQ5M SA-027 PY 0034Z PY

500 X DX DX de KJ6SCZ: 14184.0 EA3PT +EA 0034Z MD

501 X DX DX de PR7RC: 7025.0 CG9D GSX 7026 TNX up1 CT3 0034Z PY

Record 501

Summary

SPath 129.1 Distance 1558.3 Sunrise 10:00 HF-COUNTRY Lock

LPath 309.1 Local Time 20:32 Sunset 23:02 LAT LON Callsign

	10	12	15	17	20	30	40	60	80	160	6	2
CW	C	*	C	*	C	C	C	*	W	W	C	*
Phone	C	C	C	C	C	*	C	W	C	C	C	*
RTTY	C	*	C	*	C	*	C	*	C	*	*	*
Digital	*	*	*	*	*	*	*	*	*	*	*	*

No callsign notes

Puerto Rico KP4

QSL Info

DXBase 2007

DXbase 2007

File Edit Record View Tools Output Window Programs Help

Internet Cluster

CM	OSY	ALE	Messages			
421	X	DX	DX de DG1VL:	21260.0	H40IOTA	up 10 H40 1129Z DL
422	X	DX	DX de IV3WTJ:	24958.0	ZD7FT	ZD7 1129Z I
423	X	DX	DX de ZF1EJ:	50115.0	W9DR	EK99=>EL86 Trx 73 K 1129Z ZF
424	X	DX	DX de M0IKWV:	28012.0	V5DK9P	lotw +V5 1130Z G
425	X	DX	DX de E3GAB:	14199.0	TM2NOI	F 1130Z EI
426	X	DX	DX de IZ7ECL:	7099.0	IV7EGQ/7	IIA AWARD P-002 Scoglio La Cas 1130Z I
427	X	DX	DX de DK2EA:	50033.9	CS3BSM	JO50UF<ES>IM12OR weak CT3 1130Z DL
428	X	DX	DX de M0BUL:	50098.0	CN8KD	io82ng<es>im63nx 11 1129Z G
429	X	DX	DX de YT1NM:	26019.5	A71A	CQ A7 1131Z YU
430	X	DX	DX de YT1E:	21020.0	MJOT9Z	+GJ 1129Z YU
431	X	DX	DX de A71BO:	21300.0	9A9DX	good signal 59 9A 1129Z A7
432	X	DX	DX de EA5HRV:	24944.7	TM2NOI	5-9, gracias Geoffrey, EU-064F 1131Z EA
433	X	DX	DX de OE2KHM:	21260.0	H40IOTA	trnx H40 1131Z OE
434	X	DX	DX de IK5VLR:	7123.0	IZ5GST/1	DCI-GE94 WCA-4666 IFF215 11131Z I
435	X	DX	DX de ES1BA:	24950.0	SP4QCJ	+SP 1131Z ES
436	X	DX	DX de K9RZ:	3527.0	9W1SA	Booming into Nebr +5W 1131Z NE
437	X	DX	DX de IW1CHX:	26490.0	YO9APK	52 qsb YO 1131Z I
438	X	DX	DX de M0CQE:	28012.0	V5DK9P	Vry fb Op. GOOD RX SUPER CW+V5 1130Z G
439	X	DX	DX de US7ISA:	21020.0	MJOT9Z	Trnx FB GSO +GJ 1130Z UR
440	X	DX	DX de LW2ZM:	14179.0	RUS3EJ3M	BR-28 UA 1131Z UR
441	X	DX	DX de PU2SPZ:	7034.0	PT9BCNB	355 EM GG66SJ PY 1132Z PY
442	X	DX	DX de IZ8FAV:	21012.5	A61Q/GRP	nice 2xprp qso A6 1132Z I
443	X	DX	DX de HA1VG:	50092.0	G4BLUE	VERY STRONG SIGNAL op:Christop 1132Z HA
444	X	DX	DX de DL9MCD:	50136.7	SM2GCQ	KP15eu +SM 1133Z DL
445	X	DX	DX de DK2EA:	50012.5	ZB2SIX	JO50UF<ES>IM76HD 1st hrtd ZB 1133Z DL
446	X	DX	DX de IZ1UIA:	7126.0	9A2AAP	CI-329 9A 1133Z I
447	X	DX	DX de LA9Y:	50090.0	SP8AWL	Trnx qso! SP 1131Z LA
448	X	DX	DX de DL9MCD:	50136.7	SM2GCQ	KP15eu nw cq-ing +SM 1134Z DL
449	X	DX	DX de JA1KZT:	21270.0	H40IOTA	up 5-10 trnx qso 73 H40 1134Z JA
450	X	DX	DX de PA0RRA:	24944.9	TM2NOI	Trnx F 1135Z PA
451	X	DX	DX de OH8FBD:	14286.0	G4HPD	calling cq G 1133Z OH
452	X	DX	DX de DL4SY:	21258.0	VU2DK	plis 5 down dxspetition solomo 1135Z DL
453	X	DX	DX de EA2EC:	14300.0	I22GTOP	DCI VCJ044 1136Z EA
454	X	DX	DX de K4DY:	21020.7	R01DTV	UA9 1137Z NC

Record 454

OSL Info QSO Log

DX Info

OSY	Need	KHz	DX Call	Time	Remarks	Origin	Date	SR
NET	DX BAND	50092.0	3A2MMV	0958	pas de propag _Franco +3A 0957Z DL	DK6XR	2013-08-	
NET	DX BAND	50094.8	HB9CQL	1003	IO92MA<ES>JN37UM cq +HB 1003Z G	G4UCJ	2013-08-	
NET	DX BAND	50024.0	LX0SIX	1005	bcn 569 LX 1005Z YU	YU1SV	2013-08-	
NET	DX BAND	1822.0	RT0F	1011	Igor CQn, FB signal +UA9 1011Z VK	VK3HJ	2013-08-	
NET	DX MODE	7100.0	MJ0NSNQ	1015	GJ 1013Z ON	OT9Z	2013-08-	
NET	BM	14258.0	E70/T	1019	?? 1019Z EA	EA3HPX	2013-08-	
NET	DX BAND	50069.0	YO4KCA/B	1021	JN57M<=>KN44HE 569 YO 1021Z DL	DL4MFF	2013-08-	
NET	DX BAND	50049.5	LZ0SJB	1025	JO50UF<ES>KN32DR LZ 1025Z DL	DK2EA	2013-08-	
NET	DX BAND	50079.5	UU6SIX	1036	bcn 579 qsb UR 1035Z YU	YU1SV	2013-08-	
NET	DX BAND	50016.0	SV5SIX/B	1040	JO50UF<ES>KM46CK SV5 1040Z DL	DK2EA	2013-08-	
NET	DX BAND	1824.0	LU5FC	1043	LU 1043Z LU	LU5OM	2013-08-	
NET	DX BAND	50062.6	LZ0SIX	1044	JO50UF<ES>KN22XS LZ 1044Z DL	DK2EA	2013-08-	
NET	DX BAND	3527.0	5W1SA	1054	CQing (Doesn't hear me) CQ +5W 1054Z GA	W4FOA	2013-08-	
NET	DX BAND	18082.1	SM6DL7BY/P	1059	Ben on EU 043 SM 1059Z G	G0MHC	2013-08-	
NET	DX BAND	3508.0	RA0FF	1101	Heard in NV +UA9 1101Z MD	W3PLP-3	2013-08-	
NET	DX BAND	26010.0	A71A	1103	calling cq A7 1102Z I	IZ0TZR	2013-08-	
NET	DX BAND	50137.0	UU7JK	1111	my qrg UR 1111Z I	IK0BAL	2013-08-	
NET	DX BAND	3792.0	CE3EEA	1111	cq dx +CE 1111Z CA	AF6TC	2013-08-	
NET	DX BAND	50079.6	UU6SIX/B	1112	559 UR 1112Z I	IK0BAL	2013-08-	
NET	DX BAND	18145.0	R20RRC/B	1121	UA 1121Z ES	ES1BA	2013-08-	
NET	DX BAND	50098.0	CN8KD	1121	JN57M<=>IM63NX trnx +CN 1121Z DL	DL4MFF	2013-08-	
NET	DX BAND	50069.3	YO4KCA/B	1126	KN44he YO 1126Z DL	DL9MCD	2013-08-	
NET	DX BAND	50026.0	SR9FHA/B	1127	529 QSB in JP43KR SP 1126Z LA	LA9Y	2013-08-	
NET	DX BAND	50097.0	5A1AL	1128	pse cq good prop trnx 5A 1128Z ER	ER1SS	2013-08-	
NET	DX BAND	26019.5	A71A	1131	CQ A7 1131Z YU	YT1NM	2013-08-	
NET	DX BAND	50090.0	SP8AWL	1133	Trnx qso! SP 1131Z LA	LA9Y	2013-08-	
NET	RM							

Spots Messages Gray Line AUX Mgr DX Atlas

Summary

SPath 38.4 Distance 4978.2 Sunrise 03:07 HF-COUNTRY Lock
 LPath 218.4 Local Time 12:33 Sunset 18:16 LAT LON Callsign
 +52.2 -21.0 SP8AWL

	10	12	15	17	20	30	40	60	80	160	6	2
CW	C	*	C	W	C	C	C	*	C	C	*	*
Phone	C	C	C	C	C	C	C	*	C	*	*	*
RTTY	C	W	C	C	C	*	C	*	C	*	*	*
Digital	*	*	*	*	*	*	*	*	*	*	*	*

Poland SP

SP8AWL *** No QSO

DXBase 2007

The screenshot displays the DXBase 2007 software interface with several windows open:

- Messages:** A list of messages with columns for CM, QSY, ALE, and message content.
- DX Info:** A table with columns: QSY, Need, KHz, DX Call, Time, Remarks, Origin, Date, SRC.
- QSO Log for N4TL.MDB:** A large table with columns: Date, Time, Callsign, RSTs, RSTr, Name, QTH, Notes, Prefix, CO, ITU, Mode, Frequency, Band, State, IOTA, GRID, CFM, QSLs, OSL Via, Valid, LOTWREC.
- DXCC Award Submission:** A dialog box for award submission with sections for:
 - DXCC Award Type:** Checkboxes for MIXED (340), PHONE (339), CW (433), RTTY (143), DIGITAL (1), 160 (52), 80 (149), 40 (209), and 10 (254).
 - Donel:** A section for award details.
 - Band Selection:** MODE selected.
 - QSO Record Filters:** Options to exclude past submissions, select marked records, and filter by country.
 - Exclude QSOs before:** 19451115.
 - Number Pages:** 3, **Number Entries:** 85.
- HF-COUNTRY:** A window showing HF band data for KP4, including sunrise/sunset times and a table of band activity.
- QSL Info:** A window showing QSL card details for KP4EIT, including dates, times, and modes.

The bottom of the screen shows the Windows taskbar with the Start button, system tray, and taskbar icons for DXBase 2007, QSO/SWL real time, and Paint Shop Pro. The system clock shows 8:37 PM on 03/26/2007.

DXBase 2007

The screenshot displays the DXBase 2007 software interface. The main window, titled "C:\Program Files\Scientific Solutions\DXbase 2007\DXCCWKS.RPT", shows a "DXCC Worksheet" report. The report header includes "Your Callsign: N4TL" and "Page 1 of 3". The table below lists various QSOs with columns for CALL, QSO DATE, BAND, MODE, ENTITY NAME, QSL#, CFM TYPE, and CREDITED.

	CALL	QSO DATE DD/MM/YYYY	BAND	MODE	ENTITY NAME	QSL#	CFM TYPE	CREDITED
1	VE3DBH	08 06 1976	2	PHONE	Canada	*	CARD	NO
2	ZL9HR	07 12 2012	10	CW	Auckland - Campbell	*	LoTW	NO
3	4O3A	28 10 2012	10	PHONE	Montenegro	*	LoTW	NO
4	A61AD	07 10 1990	10	PHONE	United Arab Emirates	*	LoTW	NO
5	GJ2A	03 03 2013	10	PHONE	Jersey	*	LoTW	NO
6	NH8S	09 09 2012	10	PHONE	Swains Island	*	LoTW	NO
7	OJ0X	30 10 2011	10	PHONE	Market Reef	*	LoTW	NO
8	TT8TT	05 10 2012	10	PHONE	Chad	*	LoTW	NO
9	YN5Z	02 03 2013	10	PHONE	Nicaragua	*	LoTW	NO
10	8P6SH	11 11 2012	10	RTTY	Barbados	*	LoTW	NO
11	D2QV	29 09 2012	10	RTTY	Angola	*	LoTW	NO
12	HL2WP	30 09 2012	10	RTTY	South Korea	*	LoTW	NO
13	9M4SLL	13 03 2013	12	CW	Spraty Island	*	LoTW	NO
14	9U4U	22 02 2013	12	CW	Burundi	*	LoTW	NO
15	PJ5SP6EQZ	21 10 2011	12	CW	St Eustatius - Saba	*	LoTW	NO
16	TA3AX	11 08 2012	12	CW	Turkey	*	LoTW	NO
17	RI1ANF	22 12 2012	12	CW	South Shetland Is.	*	LoTW	NO
18	ZDER	16 02 2012	12	CW	Ascension Island	*	LoTW	NO
19	PJ4C	20 01 2012	12	PHONE	Bonaire	*	LoTW	NO
20	PJ7PT	16 03 2012	12	PHONE	St Maarten	*	LoTW	NO
21	ZK2C	08 02 2012	12	PHONE	Nine	*	LoTW	NO
22	ZL9HR	08 12 2012	10	PHONE	Auckland - Campbell	*	LoTW	NO

The interface also shows a "QSO Log" window on the left with a list of dates and a "QSL Info" window at the bottom right displaying a list of QSOs with details like date, time, mode, and callsign.

DXLab

- www.dxlabsuite.com
- Install the launcher first
- It will install the programs if you want them



DXLab Suite

- Commander, Radio Control
- DXKeeper, Log program
- DXView, DX information
- Pathfinder, QSL information
- PropView, Propagation info
- SpotCollector, Packet Cluster data
- WinWarbler, Digital modes

DXView World Map 3.8.4 @ 2013-11-08 20:03 Z (QTH: 35 30' 0" N, 79 0' 0" W, ...)

Map

- Countries
- Continents
- Maiden Fields
- CQ zones
- ITU zones
- ITU Regions
- Auroral zones

Plot

- DX
- Spots
- QSOs
- QSOs
- DXCC Entities
- Unworked
- Unconfirmed
- Confirmed
- Verified

Log

PropView 1.5.8 [DXV]

Parameters

Conditions

Date: 2013-11-08
 SFI: 134
 K index: 1
 Avail %: 10

Your Station

Latitude: 35 30' N
 Longitude: 79 0' W
 TakeOff: 3
 Power: 1000

Prediction

DX Station

Latitude: 19 0' N
 Longitude: 167 0' E

Wake Is

Man-made noise level

- Remote
- Rural
- Residential
- Industrial

Path

- Short
- Long

Beacon

Propagation Web Sites

DXView Info 3.8.4 @ 2013-11-08 20:03:48 Z [PV]

Search

callsign:

DXCC

prefix: KH9 entity: Wake Is code: 297

GeoMag

max: 52 K: 1

Antenna presets

- 0
- 45
- 90
- 135
- 180
- 225
- 270
- 315

Location @ 2013-11-09 08:03:48 local

latitude: 19 0' 0" N longitude: 167 0' 0" E SP DX: 6711 cont: OC grid: RK39ma CQ: 31 ITU: 65

DXCC database

location: Wake Island IOTA: OC-053 time zone: UTC+12

Heading

short: 299 long: 119

Map

-
-
-
-
-

DXLab Suite

- Too much to cover today
- If members are interested a separate presentation could be done
- December QST, Short Takes, page 48 article about DXLab Suite

N3FJP

- Amateur Contact Log
- <http://www.n3fjp.com/aclog.html>
- You can use it for 45 days free
- It does everything in one program
- Logging, DX spotting
- Keeps track of WAS, DXCC & others
- If members are interested a separate presentation could be done

LoTW, eQSL, Club Log

- ADIF allows uploading to these internet websites
- ARRL's Log Book of The World, QSLs
- eQSL another way to do QSLs and awards
- Club Log. Will show information about your log. It will also send you an email about possible errors in your log

Club Log TimeLine



Feedback after Upload

Callsign: 3D2RJ Date: 1982-09-21 11:22:00 Band: 20 QSL: No
Your log claims ROTUMA. Club Log has a specific exception for 3D2RJ
and will use FIJI ISLANDS.
See <https://secure.clublog.org/t.php?c=3D2RJ&t=401455320> for
details.

Callsign: 6O0A Date: 2004-08-24 00:41:00 Band: 17 QSL: No
6O0A is an invalid QSO, either under the ARRL DXCC rules or
because it is outside the known dates of a valid operation. Club Log
is storing this QSO, but marking it as invalid. For more information,
please see [http://clublog.freshdesk.com/solution/articles/53820-
invalid-mappings](http://clublog.freshdesk.com/solution/articles/53820-invalid-mappings)

Paper Logs to computer

- Like many other hams, I decided to enter all my paper logs in to the computer
- My paper logs have 16,355 contacts
- I started typing June 2011
- Not full time effort
- Finished July 2012, merged to DXbase log
- Uploaded to LoTW, found a number of new QSLs

Paper Logs to computer

- I use DXBase 2007 for logging
- Its not easy to type in old contacts because you have to use both the keyboard and mouse

Fast Log Entry

- Fast Log Entry (FLE) by DF3CB
- Only have to use the keyboard
- It generates an ADIF file that can be imported by a logging program
- <http://www.df3cb.com/fle/>
- If something stays the same you don't have to type it again
- Like the band or mode

Fast Log Entry

- If you use it, type a page and test the import of the ADIF in to the program you use
- Make sure it works correctly before doing a lot of typing

Backups

- One issue with computers
- If you loose your hardfile, will you loose your log?
- Backups are important
- Copy your log(s), keep in a safe place
- USB memories
- USB external hardfile

Backups

- Second internal HF
- Norton Ghost 10
- Makes a full back up once a month.
- Makes an incremental back up as often as you want
- Also works with USB external hardfile

Backups

- Chose a method to use
- Implement it NOW not later
- DON'T WAIT for your hardfile to crash 😞

Connecting the Radio

- Serial port on the computer is connected to the radio
- Different names are used
- Serial port, com port, RS-232
- Some newer radios have USB connections

Yaesu FT-450 serial port



Kenwood TS-590

- Has both a serial port and a USB port
- Works with RS-232 serial cable
- Or a A-B USB cable
- If the A-B USB cable is used a virtual com port driver has to be installed
- The manual says “pre-installed”, so install the driver before making the connection

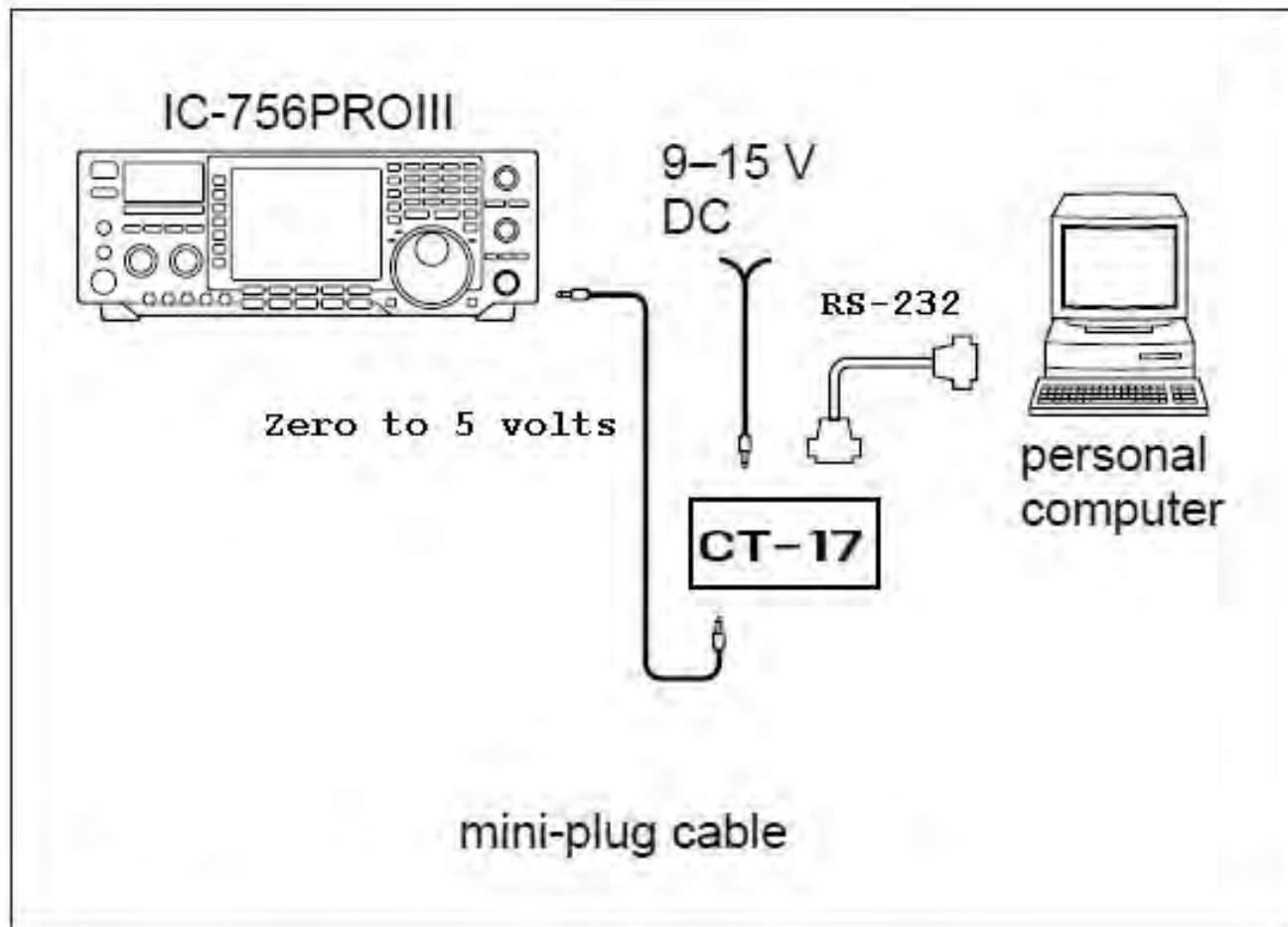
Elecraft K3

- Has a Serial Port
- It is setup in a menu in the radio
- Set *CONFIG:RS232* for the desired baud rate

Your Radio's Setting?

- Check your radio's manual to find out the requirements for connecting the computer
- Baud rate, parity and stop bits have to be set the same in the radio and computer

ICOM CT-17



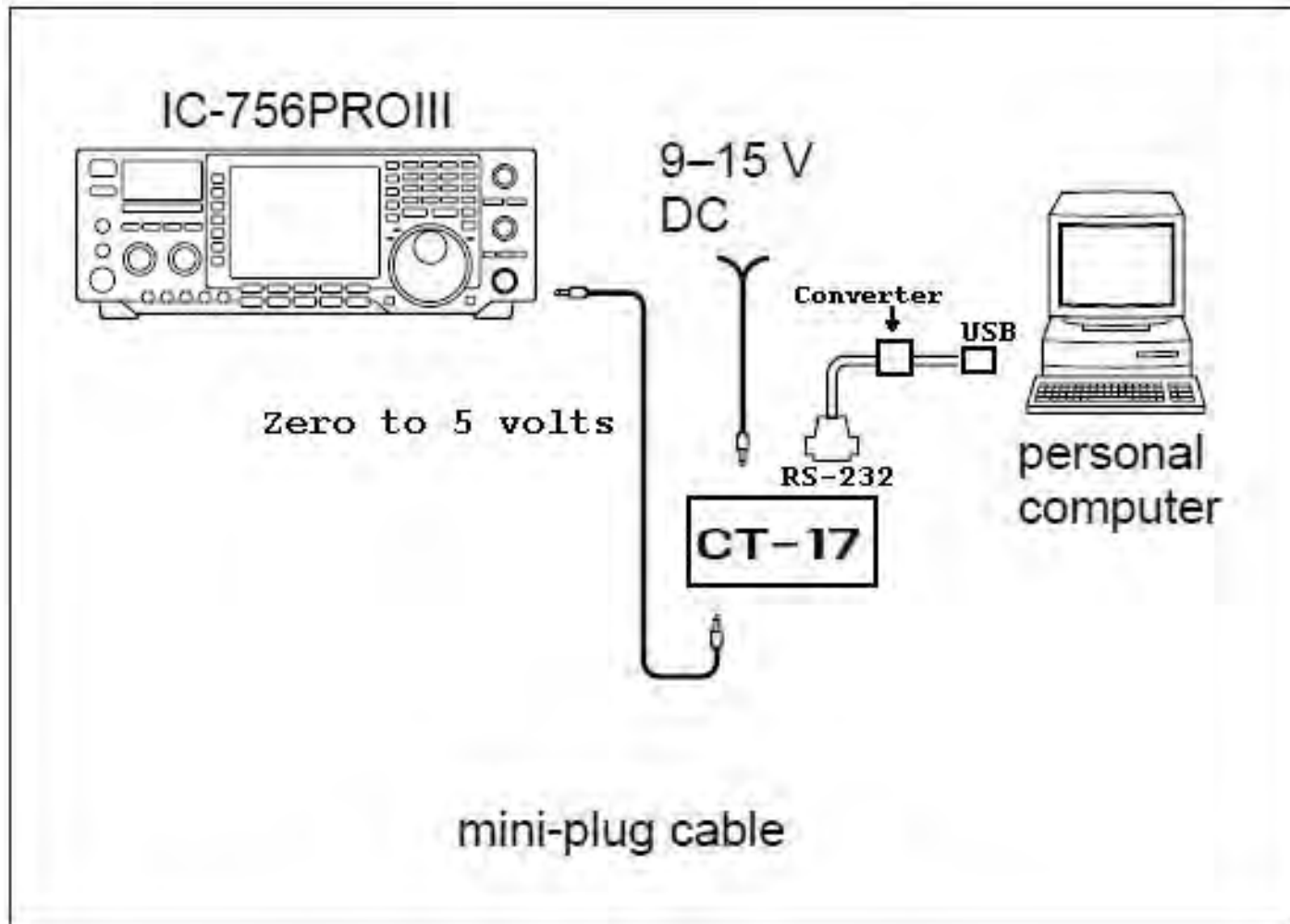
ICOM CT-17

- Price of the CT-17 is \$135.97
- The CT-17 will connect to 4 radios
- DXbase and N1MM will only allow one radio per serial port
- Other programs probably have the same restriction

New computers, No serial port

- For these computers, a USB to serial port adapter can be used
- If you use one, first find out what adapter others are using that works with no problems

USB to RS-232



USB to RS-232 to radio

- USB uses positive 5 volts
- RS-232 uses positive and negative voltage
- ICOM Radio positive voltage only
- So why convert to RS-232 voltages and back?

USB to ICOM

- "Kawamall" ICOM interface cable, \$18
- I found the cable on ebay
- <http://www.kawamall.com/>
- Has a Prolific USB to Serial chip inside
- **The Prolific chip has been counterfeited.**
- **They do not work on Windows 10**
- Looks like a serial port to the software

USB to ICOM

- November 2016 update
- I have changed to interface cables that use the FTDI chip. That one works with windows 10.
- I purchased mine from Valley Enterprises
- Valley-ent.com

Which Serial Port?

- Windows XP, Control panel, System, System Properties, Hardware, Device manager, ports



Logging program Configuration

- In the Logging program there will be a place to set which serial port to use
- Check your radio manual to find out what the BAUD rate, Parity, number of bits and number of stop bits are
- The radio and logging program need to be set the same
- Some setups have automatic detection

ICOM CI-V address

- There is a 2 digit hex address for each model of radio
- The logging setup has to match the radio
- In DXbase & N1MM just select the Brand and Model

Newer ICOM

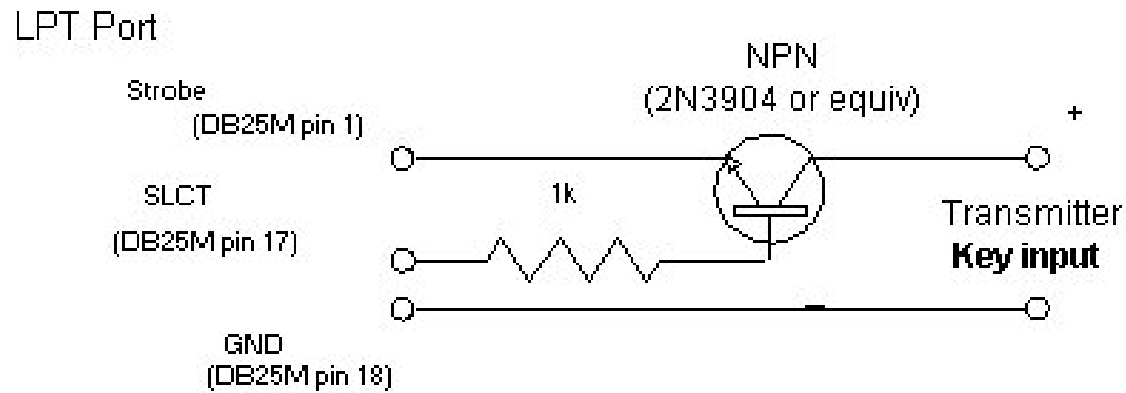
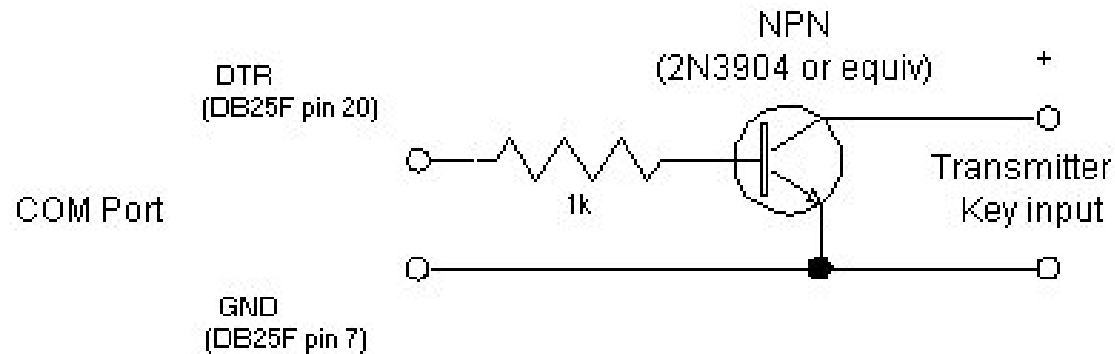
- Newer ICOM radios have a USB port as well as the CI-V port
- USB supports the CI-V commands
- The ICOM manual has: **NOTE: BE SURE** to install the USB driver **BEFORE** connecting the USB cable between the radio and the PC

Questions?

Other connections

- Computer sent CW
- If your Logging program supports this check the manual for the connections
- Many programs use a simple transistor circuit from a serial or parallel port to the key input of the radio.
- May not work with a USB to serial port adapter, find out what others are using

CW circuit



USB to CW

- Winkeyer USB
- www.k1el.com
- Connects to the computer with USB
- Connects to the radio's straight key input
- Its not dependent on Windows doing the CW timing correctly
- Review Oct 2013 QST
- Page 59



RTTY connections

- Two ways to do this, true frequency shift or audio in to the radio
- Easy interface to use is SignalLink USB to Radio for RTTY, sends audio to radio



Questions?

Things to remember

- Laser pointer
- USB Memory to show & put presentation on it
- USB Hardfile to show
- USB to ICOM cable adapter
- USB to serial cable adapter
- Red Packet Cluster binder
- Handouts
- Water