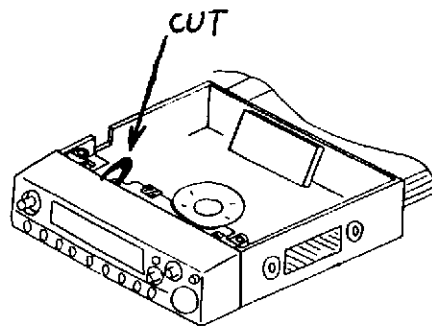
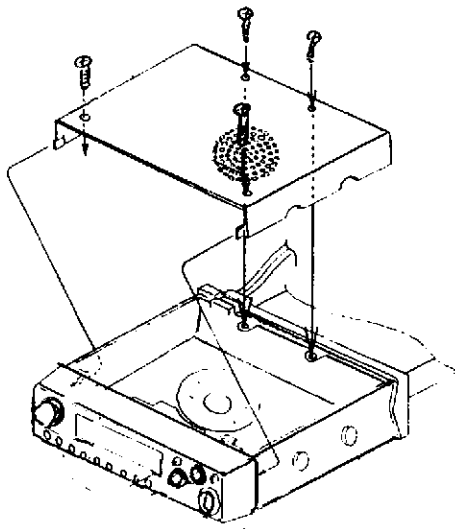


# DR-150T UHF BAND EXPAND RECEIVE MODIFICATION

03/95 VER. A

1. Disconnect from the Power Supply.
2. Remove 4 screws as shown below.
3. Remove the Top Cover.
4. Locate and cut the **RED** jumper wire behind the control unit.
5. Reassemble the unit.
6. Reset the Microprocessor. (With the radio off, press and hold the "FUNCTION" button and simultaneously turning the power on.)

**Note: Damage done to the unit while performing the modification will void the warranty.  
Receive range after modification will be 430.000 - 511.995MHz.  
There is no guarantee for any specifications for out of ham band.**



ALLINCO ELECTRONICS, INC.  
438 AMAPOLA AVE., LOT #130, TORRANCE, CA 90501  
PHONE: (310) 618-8616 FAX: (310) 618-8758