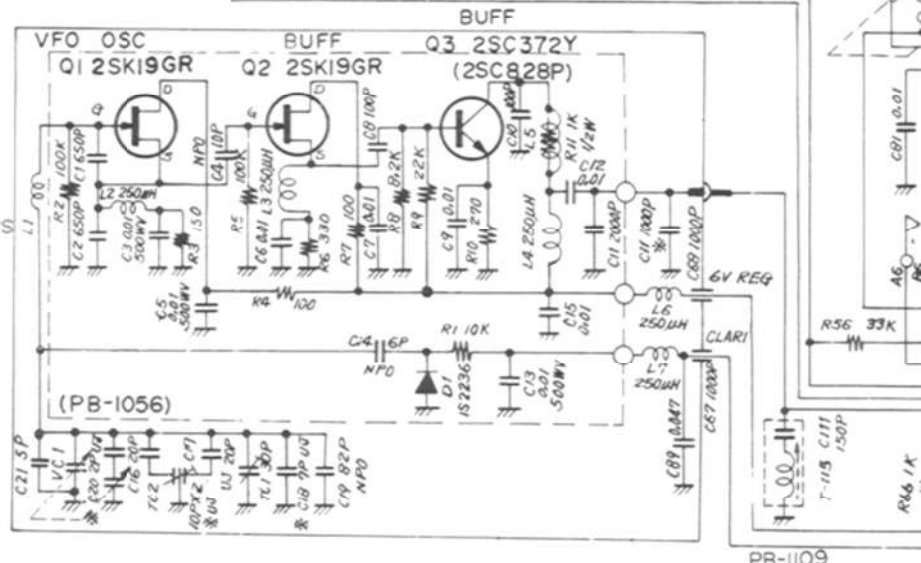
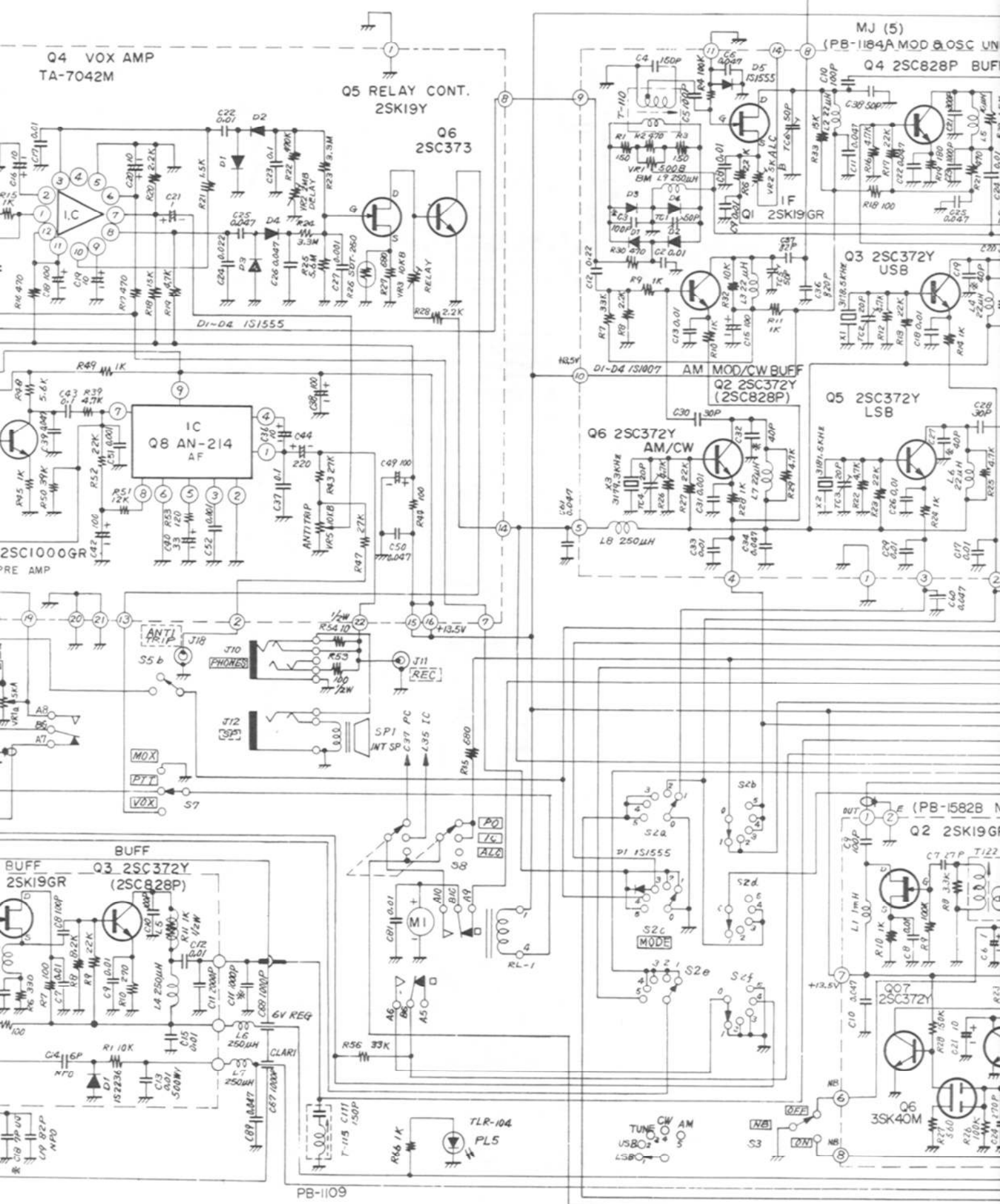


- NOTES
1. ALL RESISTORS ARE IN 1/4W UNLESS OTHERWISE NOTED.
 2. ALL CAPACITORS ARE IN μ F UNLESS OTHERWISE NOTED.
 3. ALL ELECTROLYTIC CAPACITORS ARE 16WV UNLESS OTHERWISE NOTED.
 4. X VALUE IS NOMINAL.

**FT-101E
CIRCUIT DIAGRAM**



PB-1109



Q4 VOX AMP
TA-7042M

Q5 RELAY CONT.
2SK19Y

Q6
2SC373

MJ (5)
(PB-1184A MOD & OSC UN
Q4 2SC828P BUF

D1-D4 1S1555

IC
Q8 AN-214
AF

AM MOD/CW BUFF
Q2 2SC372Y
(2SC828P)

Q3 2SC372Y
USB

Q5 2SC372Y
LSB

Q6 2SC372Y
AM/CW

2SC1000GR
PRE AMP

ANTI TRIP
J18

PHONES
J10

REC
J11

SP1
INT SP

MOX
PTT
VOX

BUFF
Q3 2SC372Y
(2SC828P)

BUFF
2SK19GR

(PB-1582B M
Q2 2SK19GR

MI

RL-1

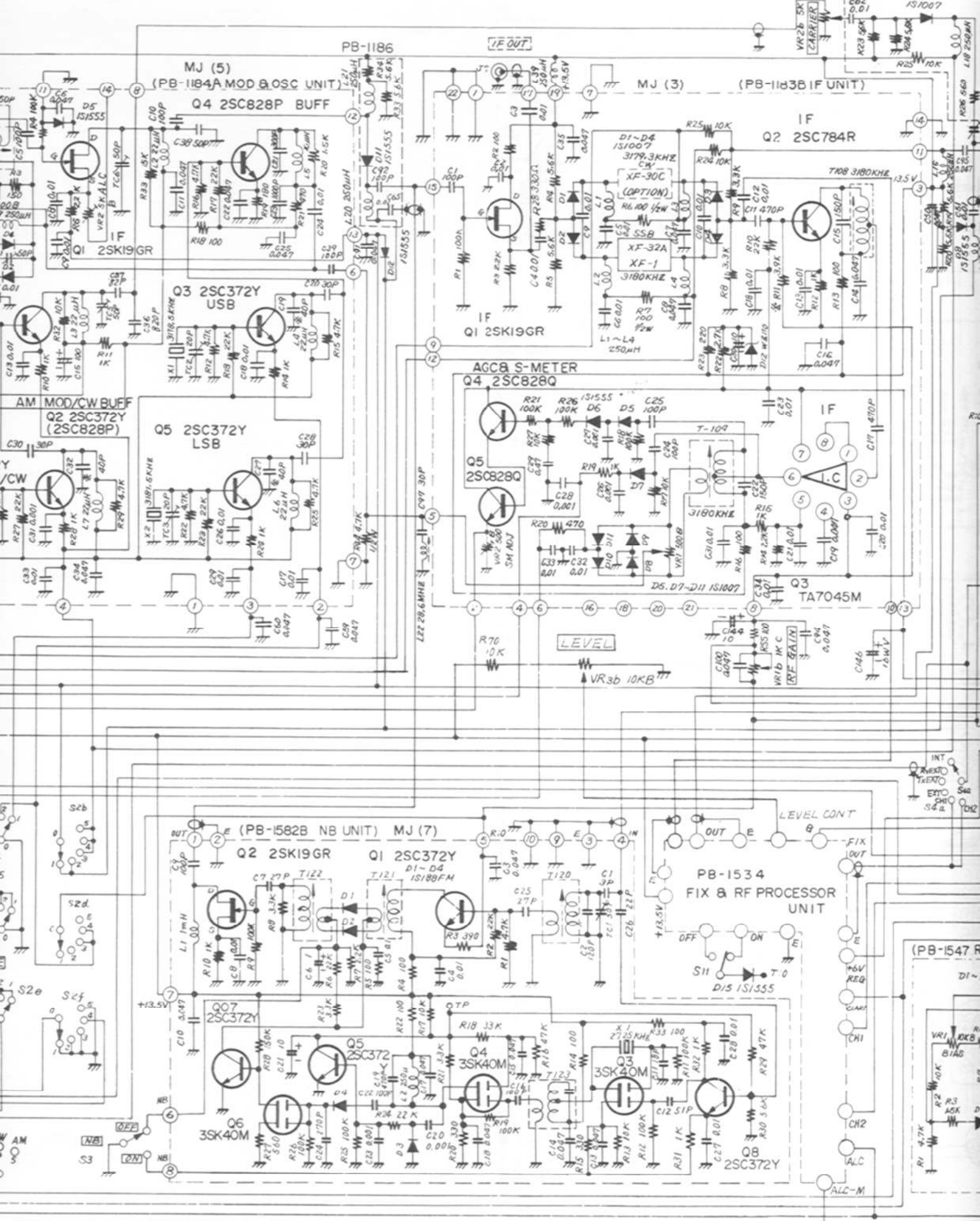
MODE
S2c

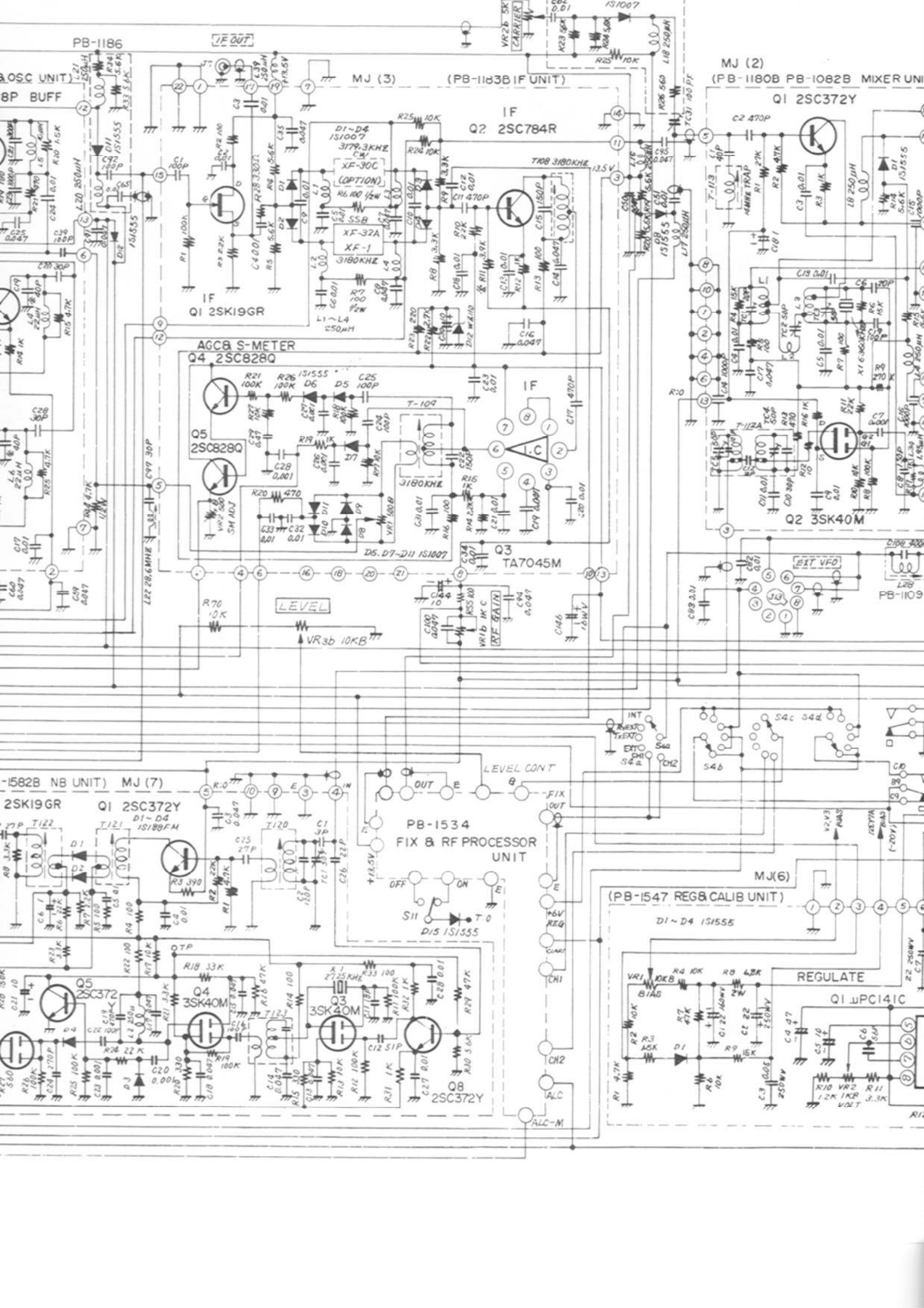
Q7
2SK372Y

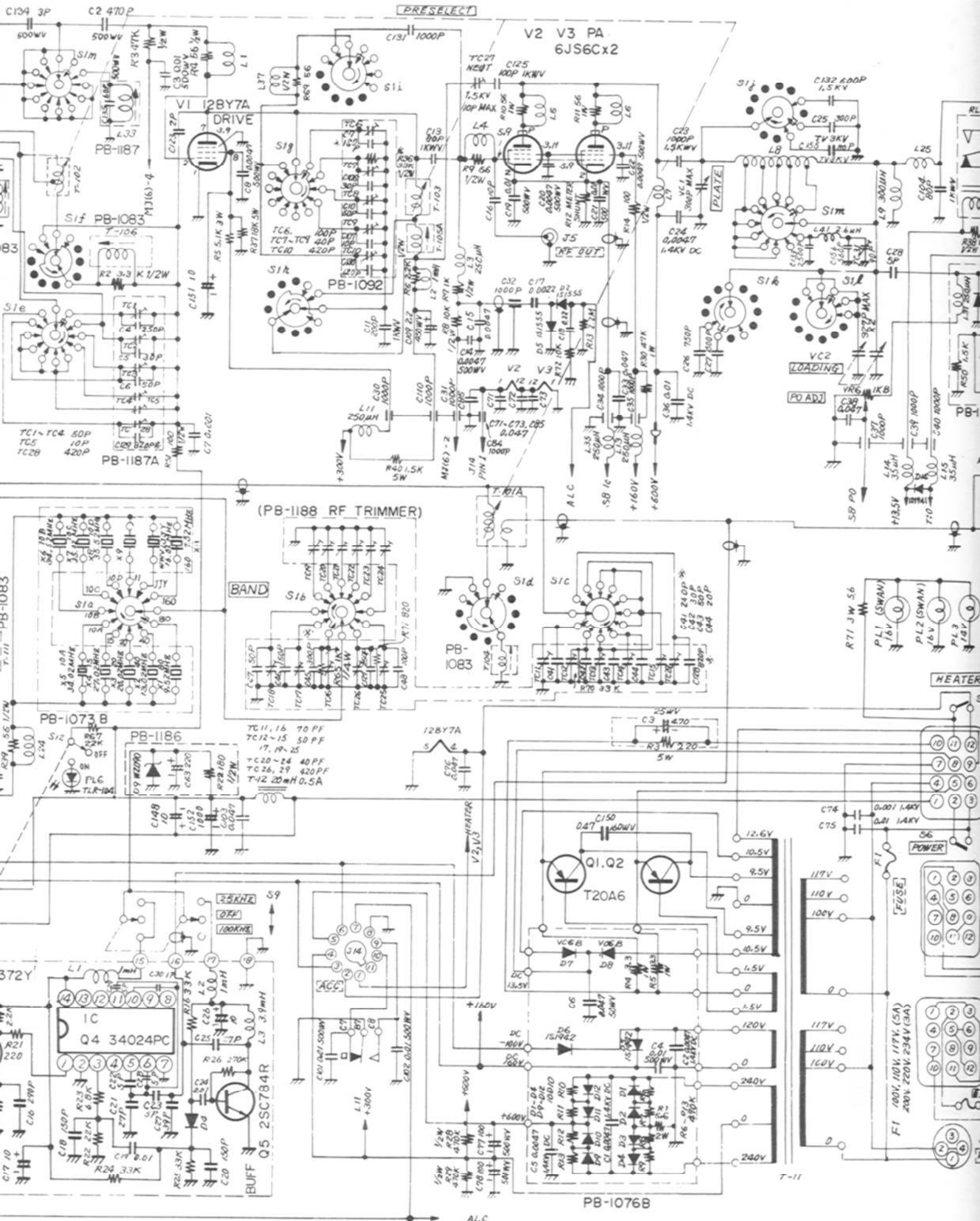
TLR-104
PL5

TUNE CW AM
USB
LSB

PB-1109







PRESELECT

V2 V3 PA
6J56x2

V1 12BY7A
DRIVE

(PB-1188 RF TRIMMER)

BAND

TC11, 16 70 PF
TC12-15 50 PF
17, 19-25
TC20-24 40 PF
TC26, 29 420 PF
T-12 20mH 0.5A

IC
Q4 34024PC

Q5 2SC784R

PB-1076B

ALC

T-11

POWER

FUSE

HEATER

PL1 (SWAN)

PL2 (SWAN)

PL3 (SWAN)

F1 100V, 100V, 117V, (5A)
200V, 220V, 234V (3A)

