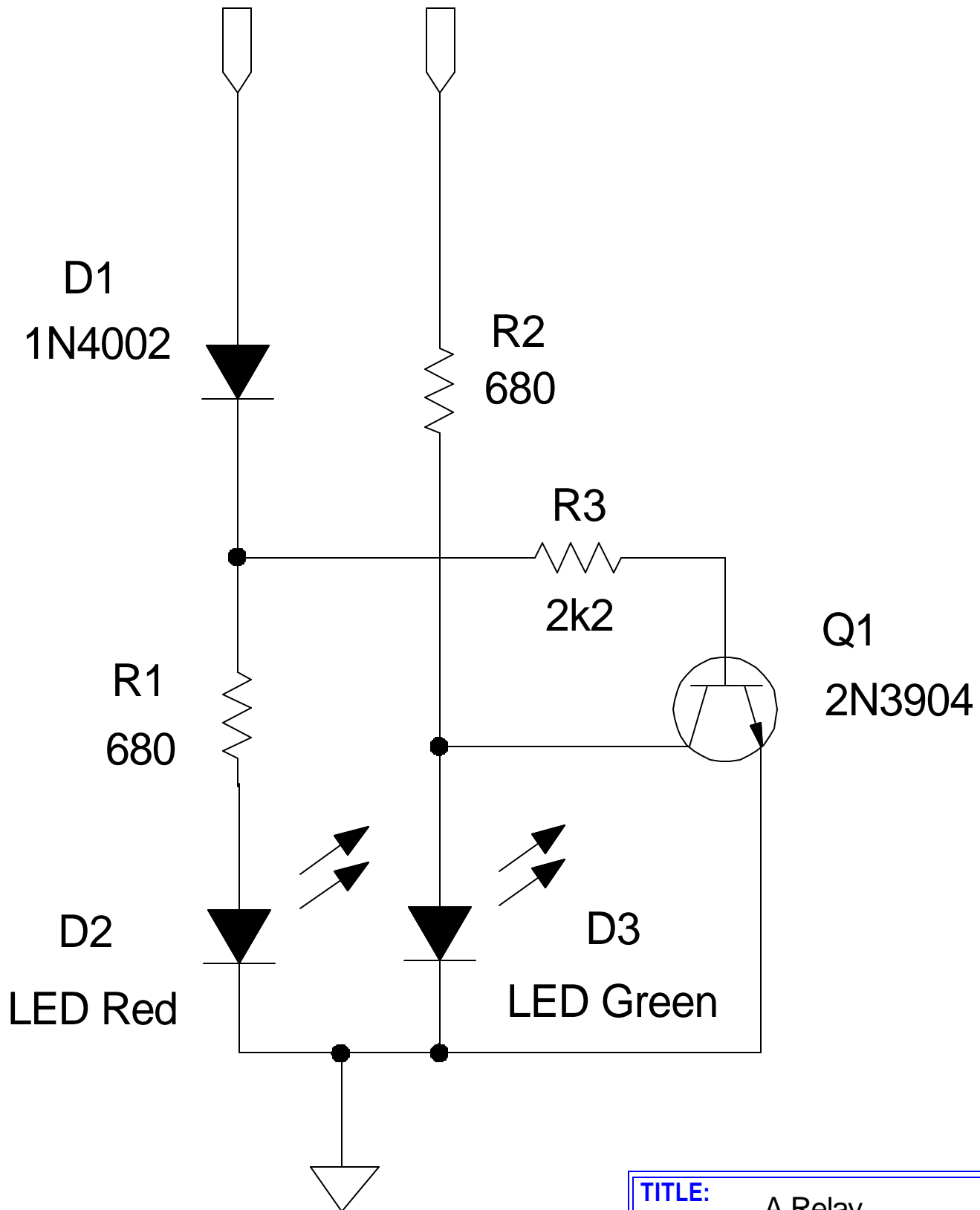


Switched + 12VDC
from Relay /etc. +12 VDC



This circuit is a relay (etc) activity indicator. It will normally indicate Green (via D1). When the "Switched +12 VDC" is ON, it will indicate Red (via D2). If a 3-terminal Bi-Color LED is used, the single indicator will go from Green to Red.

TITLE: A Relay Activity Indicator		PAGE NR: 1 of 1
		CONNECTIVE COUNT: n/a
		VERSION: 1.0
FILENAME: R-G Relay Indicator	SECTION: HR/Projects/Audio Distribution	DATE: 2000 09 07
E. T. TANTON		N4XY