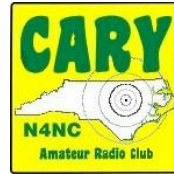


Feedline



www.qsl.net/n4nc/
N4NC@arrl.net

The Voice of The Cary Amateur Radio Club N4NC

November 2002

CARC FEEDLINE

Editor -- Keith Zeringue, W4KAZ
w4kaz@arrl.net

The deadline for submission to the Cary Amateur Radio Club FEEDLINE newsletter is the second Thursday of the month. Information should be forwarded by e-mail to the editor at w4kaz@arrl.net.

The FEEDLINE newsletter is published monthly by the Cary Amateur Radio Club. Permission is granted for reproduction in whole or in part to all ARRL affiliated amateur radio clubs, provided credit is given to the Cary Amateur Radio Club and to the author of the reproduced material. All other permissions for use should be obtained by contacting the editor in writing.

CARC Officers for 2003

President Clare Owens, N2RJB
Vice Pres. vacant
Secretary Keith Zeringue, W4KAZ
Treasurer Herb Lacey, W3HL

2002 Volunteers

N4NC Trustee : Will Harper, K4IWW
Swapfest Czar: Alf Johnson, KQ4FP
Field Day Czar: Herb Lacey, W3HL
Listserv admin: Will Harper, K4IWW
Website admin: Susan Jones, WA4AKB

CARC Contact Information

Mailing Address:
Cary ARC
P.O. Box 53
Cary, NC 27512
E-mail: n4nc@arrl.net

Web site: <http://www.qsl.net/n4nc/>

Pheedline Phun Phacts

Kaz, W4KAZ

Per CARC tradition, the months of November and December will not have regular business meetings. They are replaced by the holiday dinner.

This year's dinner will be held on Thursday, Dec 5th, at the Walnut street/Dillard Drive Golden Corral. (Its behind Lowes.)

For those attending, be in line by 6:15 p.m. From the cashier, turn right and go to the end of the building, turn right into the private room. Bring the family. No business will be discussed at the meeting.

Jarsfest this year was dogged by a cold, damp day, but the parking lot had several hardy tailgaters braving the elements. Indoors, there was a good selection of various sorts of gear available, as well as the ever-present aroma of grilling Jarsburgers. I hope they had a good day. I got a bit of ladder line for a couple of folded dipole experiments, but that's it.

Did anyone notice the pile of dirt adjacent to the Cary Community center where the parking lot used to be???? (Think "Swapfest")

After spending quite a bit of time researching a new rig purchase, I've drawn a blank. It's just not easy to decide which features I really want to have, and which I should do without.

My ideal would maybe be that snazzy new TenTec Orion....But I never got my moneys worth out of the FT-840, so the Orion surely seems like overkill(by at least one order of magnitude). Sigh....

Every station is a compromise, no?

Pssst....I got a really great deal on a completely dead FT-840! Makes a great doorstop!

Coming Cary ARC Events

There will be no regular CARC business meetings in November or December. The Holiday dinner takes place of the regular CARC meetings for these two months, because of the Thanksgiving and Christmas holidays falling on or near the normal meeting night.

This Year's Holiday Dinner

The Holiday dinner will be at the Golden Corral, Dillard Drive (behind Lowe's) on Thursday, December 5. Be in line by 6:15 p.m. From the cashier, turn right and go to the end of the building, turn right into the private room. Bring the family. No business will be discussed at the meeting.

Cary ARC Minutes-September 26th Meeting

W4KAZ, Kaz—Scribe Elect

The October meeting of the Cary Amateur Radio Club was held on Thursday, October 24th, at the usual meeting place in the basement of the White Plains Methodist Church. The meeting was opened early, in flagrant violation of long held tradition, at 7:28 P.M. by AB4S, Ed Stephenson. Introductions were given, there were 13 members in attendance, and one visitor.

Introductions were made, and the importance of obeying basic traffic regulations was discussed..

A brief Treasurers report was given.

Ed, AB4S gave a short update on the fund raising conducted by RARS and CARC for the repair of the 145.39 PCRN repeater.

Old Business

Herb, W3HL, gave an update on the CARC holiday dinner. There will be no regular CARC business meetings in November or December. The Holiday dinner takes place of the regular CARC meetings for these two months, because of the Thanksgiving and Christmas holidays falling on or near the normal meeting night. Also, the size of our group requires a \$25 tip for the table server...for which we will "pass the hat".

New Business

Herb, W3HL, gave a short update on Cary Band Day, to be held Saturday November 2nd.

Elections

In hotly uncontested races, officers for the 2003 calendar year were selected.

Clare, N2RJB, will be serving as president for 2003
Herb, W3HL, will be serving as treasurer for 2003
Keith, W4KAZ, will be serving as secretary for 2003
The office of vice-president was left unfilled.

The business portion of the meeting adjourned at 8:11pm.

Program

Clare, N2RJB, gave an excellent review of the care in selecting, repairing, and refurbishing antique radio and electronic equipment. He covered topics including hints on locating bargains, what sorts of things are prized by serious collectors, locating parts for repairs, and many general hints on bringing the glow back into tube gear.

Cary Band Day

A beautiful, cold, clear day makes for a great parade!

Hey, who let that guy inna parade?



Transatlantic Amateur Digital Voice Transmission

News Release from Doug Smith, KF6DX, Nov 24th, 2002

<http://www.doug-smith.net/>

Sevierville, Tennessee-- Two radio communications pioneers recently achieved a major breakthrough: the first two-way digital voice transmission across the Atlantic via Amateur Radio. Doug Smith, KF6DX, and Didier Chulot, F5MJN, successfully transmitted and received HF digital speech signals on Friday, November 22, 2002 between here and Paris, France.

The feat was accomplished using Ten-Tec transceivers and digital audio systems from Thales Communications (pronounced "tall'-ess") in Paris. Operating station F8KGG, Chulot spoke with Smith for several minutes using the high-frequency digital link, operating within a 3-kHz bandwidth. The contact occurred on 21,218 kHz. Signal strengths were S-5 to S-7 and readability was 5 in both directions. A mean opinion score (MOS) of 3.5 of a possible 5 for audio quality was recorded by KF6DX in the QPSK mode, which runs at 1200 bits/sec. An MOS of 3 is generally defined as "toll-quality," or roughly the same as what a telephone produces.

Signals were also exchanged in 16-QAM mode at 2400 bits/sec. The two stations demonstrated the advantages of digital audio during the conversation, including noise-free, FM-like reception and the potential for simultaneous voice and data.

The Ten-Tec/Thales system is based on a new international broadcasting standard adopted last year by the ITU, an arm of the United Nations. Digital broadcast signals occupy up to 10 kHz of bandwidth. The FCC has approved a similar standard for AM broadcasting in the U.S. The Amateur Radio version is expected to appear on the market early next year.

"We view this as a significant accomplishment," said Smith. "Amateur Radio has long been at the forefront of technological development. It's nice to be able to show that our legacy is alive and well." Tests are being conducted under the auspices of ARRL's Digital Voice Working Group, of which Smith is Chair. A written report on the tests is due in January, 2003.

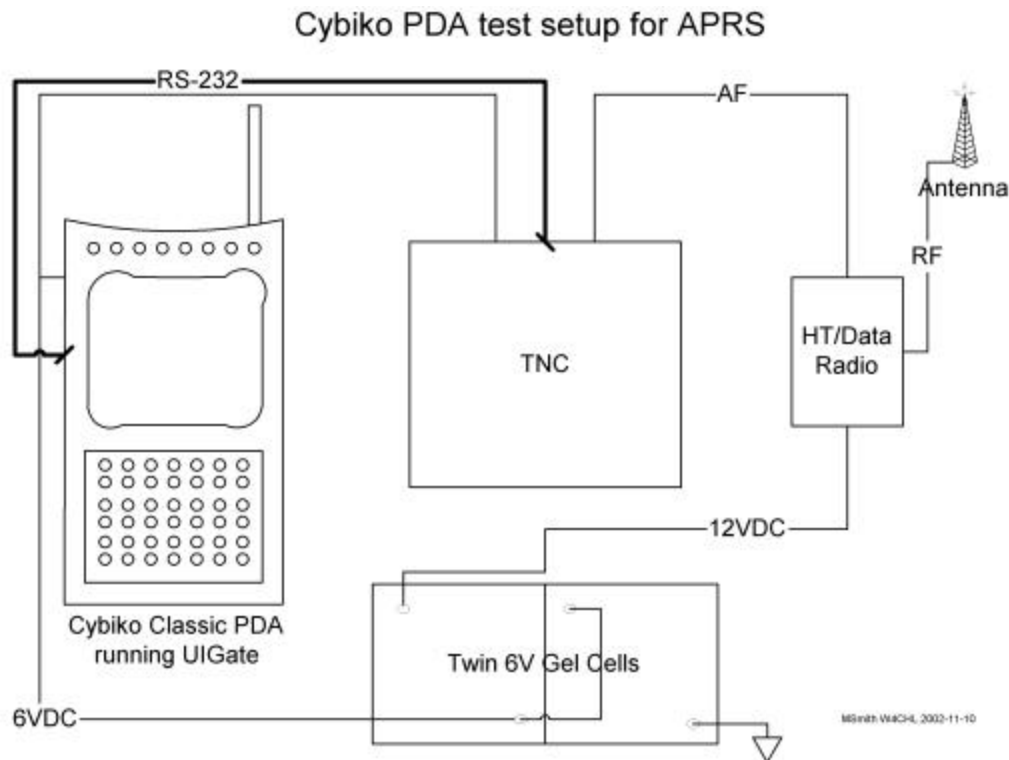
Check the Jan/Feb 2003 issue of QEX for the written report....W4KAZ

Cybikos in APRS

By Jack Urban, member PARC
Phillips Amateur Radio & Computing 2002, Guy B. Phillips Middle School in Chapel Hill, NC
Edited by Mark Smith W4CHL OCRA liaison to PARC
<http://www.rtpnet.org/parc/>

OK, here we are to present how this little thing can improve mobile and emergency APRS.

Now, every time someone sees this in my hand I get a question like "What is it?" But please understand that it is relatively hard to explain to other students about why our PARC group is working with Cybikos in just a few words.

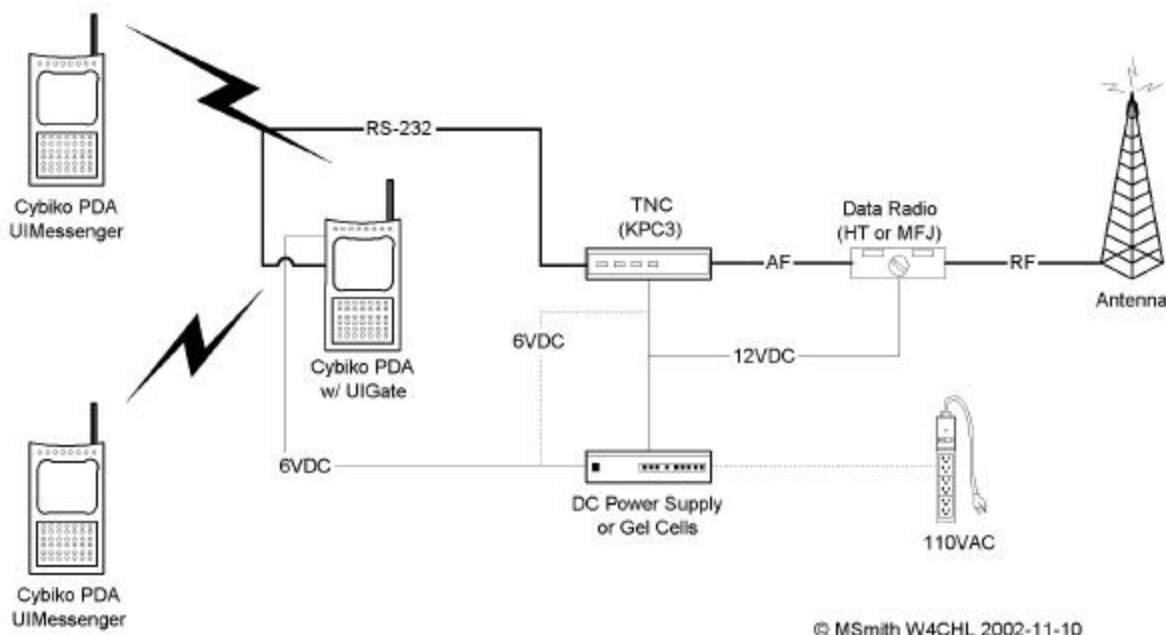


Originally Cybikos were designed for teenagers to play small games, chat, input small amounts of data, and mainly, for teens to get the feel of slick, adult PDA technology. The gadget became somewhat popular, but the company did not succeed as well as PALM did because price and market issues. The creators did not intend Cybikos to be anything else but a toy. However many developers used the free software development kit (SDK) tools as did amateur developers (like Alex KR1ST) and wrote a lot of useful software for it. Alex KR1ST had an idea about using these units in amateur radio, which was seen on the web and gave rise to the projects at PARC.

There are two kinds of Cybikos available in stores: Cybiko Classic and Cybiko Xtreme. Both of them come in with a 160 x 100 B&W screen, 500kb virtual hard drive, and a built-in spread spectrum 900MHz wireless LAN interface. The low power wireless LAN allows you to communicate instantly with one friend or hundreds of others with Cybikos, within a radius of 150 to 300 feet. More about that later.

You may ask "This is all wonderful, but how is that going to help us? Why is it better than present-day APRS setup?" In our project we decided to make APRS mobile, so instead of using a big, bulky and cheap computer (or expensive and small computer) we use just one (cheap) Cybiko with UI Messenger software which has many of the functions that are found in UI View or WinAPRS such as map display, tracking, logging, and unit to unit messaging.

Cybiko PDA setup for APRS from PARC & W4CHL QTH

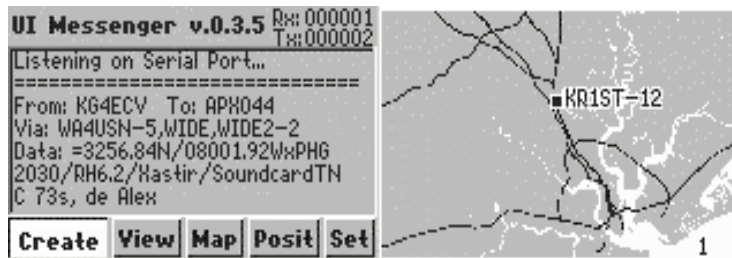


The basic configuration to use without exploiting the Cybiko wireless LAN requires a TNC in KISS mode and a HT. We connect one Cybiko Classic model to the TNC through a serial port. Thus we get a working, small, mobile APRS station.

The unique aspect of using Cybikos is to setup UI Messenger using the wireless LAN and run a simple program, the UI Gate on the Cybiko connected to the TNC. One UI Gate allows more than 90 other amateurs who have Cybikos to send/receive traffic through the wireless network within range (150 feet) and out over the ham band.

Now you can clearly see that you don't need a bulky, heavy PC and all in your pocket. Instead enjoy the PALM sized Cybikos! If you have any questions, please feel free to contact us: PARC at rtpnet.org. Or follow our progress from rtpnet.org/parc.

Screen shots from Cybiko PDA; Left: UIMessenger screen on Cybiko
 Right: map display of Long Island NY/Northern NJ area.



Composite screen shot: Left - basic Cybiko APRS station components
 Right - screen shot from Cybiko PDA running UI Messenger.

If you have any questions, please feel free to contact PARC at rtpnet.org or check out the site: www.rtpnet.org/parc.

December/January Birthdays

K4SG	Bill McMurray	December 3 (life member)
AG4RH	Bret Guenther	December 15
AB4S	Ed Stephenson	December 21
KG4RIY	David Pate	December 27
N4YRD	John Jaskolka	January 8

Con Artists Say “Greetings”

W4KAZ, Kaz

A new twist on virus scams involves e-mail “greeting cards”. The scam works like this....some unsuspecting friend finds a web site that allows you to “send an e-greeting card” to a friend. The “e-greeting card” when delivered, is itself actually spyware. When the recipient opens the “e-greeting”(by clicking “Yes” to the fine-print licensing agreement), the spyware installs itself on the recipient’s computer and promptly spams itself out using the recipient’s e-mail address book.

This is 100 percent legalized spam, because the recipient agreed to the license agreement....probably without bothering to read it. Expect to see this particular con revisited several times over. It is based on abusing people’s good intentions.

Full story, see: <http://news.com.com/2100-1001-965570.html>

Big Brother And The Grocery Nazi’s Are Here Too

W4KAZ, Kaz

Okay, this isn’t Ham Radio either,(nor is it a 1960’s band...) but it is possibly a technology angle some may not have fully considered. I knew it was just a matter of time, but I’m a little surprised how close to implementation some of this stuff may be.

For all who may have a mistaken belief that their grocer’s “valued customer” card is a great idea, try this concept out. You go to your regular grocer to pick up a few staple items....except your carton of milk costs 25 cents MORE than everyone else’s, even if you use your “valued customer” card. Grocers are now testing variable pricing technology that will allow them to discriminate individually against their customers based on the individual customers buying habits. This will allow completely individualized pricing for every item in the store.

If you are the type of shopper who buys sale priced items, you could punitively be charged higher prices based on the individual profile your grocer has generated from data collected via your “valued customer” card. If the data shows that you buy BonBon’s every week, well BonBon’s will just never be on sale for you! The message—frugal shoppers are NOT wanted.

The rising costs of defending civil liberties—eternal vigilance is required!....

<http://news-journalonline.com/2002/Nov/11/BIZTECH3.htm>

Consumers Against Supermarket Privacy Invasion and Numbering

<http://www.nocards.org>

H. Taylor Howard, W6HD, SK

W4KAZ, Kaz

Home satellite TV pioneer Henry Taylor Howard, age 70, died in a plane crash Nov 13th near his home in California. Howard, using homebrewed gear in 1976, was instrumental in pioneering reception of C-band satellite television transmissions intended for cable subscribers, and was the founder of Chaparral Communications.

Howard also worked on the Apollo space program and won a NASA “Medal for Exceptional Scientific Achievement” in 1973. Howard led the radio team for the Galileo mission to Jupiter. Within the ham community, Howard was an avid moon bounce enthusiast.

It is both inspiring and astounding to note just how many contributions to science and society have been made by people who also choose to be hams. Condolences to family and friends.

<http://www.washingtonpost.com/wp-dyn/articles/A52793-2002Nov14.html>

<http://www.nitehawk.com/rasmit/w6hd.html>

November 2002 -- Cary ARC Feedline

Stupid Ham Tricks

W4KAZ, Kaz

Okay, I saw this on the eham website (see link below), and I just KNOW somebody out there has done something like this.

My personal favorite is the ole "forgot to put the pl-259 sleeve on the coax before soldering the connector" trick. I'll bet everyone has pulled that one, either on a coax connector, RCA plug, Phono plug, whatever. Here are summaries of some of the more amusing comments:

A field day favorite—soldering while wearing short pants.....molten solder can and will drip!

Testing new connectors for short circuits—but forgetting the antenna is fed with a balun or is shunt fed.

Put the soldering iron down on a plastic tray/plate/countertop instead of its proper holder.

Determining that the soldering iron is indeed plugged in by picking it up by the glowing red tip.

Having trouble getting an answer to a contest CQ? Didja check the power level and Mic gain?

Hoisting that spanking new dipole into the trees---without first connecting the feedline

After reaching the top of the tower—no tools, no rope!

Testing high voltage filter caps with one's finger...zzzzz!

"Working the repeater" with the HT in simplex.

Got that new HF+6 rig, but forgot to remove the "low pass filter" in the line between the rig and the antenna switch. "I just can't "get out" on 6 !?!?!....."

Send in your own favorite Stupid Ham Trick, by email to W4KAZ @ ARRL.net. I promise not to reveal any names or call signs!

You can read more on these gems at: <http://www.eham.net/articles/3913>

ARRL VEC examination fee to rise

ARRL Amateur Radio News Online
<http://www.remote.arrl.org/>

(Nov 14, 2002) -- Starting January 1, the fee charged all applicants at ARRL VEC-coordinated Amateur Radio test sessions will increase from \$10 to \$12 for the year 2003. This fee is charged to anyone applying for a new amateur license or upgrading their operating privileges. Applicants failing an exam element at ARRL sessions where examiners permit retesting on the same exam element also must submit a retest fee of \$12. Additionally, the maximum reimbursement ARRL VEC allows ARRL volunteer examiner (VE) teams to retain to directly offset their prudently incurred out-of-pocket expenses will increase from \$4 to \$6 in 2003 (this fee has remained at \$4 per person served since 1991).

"While the number of examinees has remained relatively unchanged in the past 24 months, our cost of doing business--and the expenses incurred by ARRL VEs--continues to rise," said ARRL VEC Manager Bart Jahnke, W9JJ. "An adjustment was needed in the 2003 test fee if we intended to maintain the same level of service that our VEs and VE teams have come to expect."

Jahnke said that adjusting the reimbursement level for ARRL VEs who retain a portion of the fees to offset their out-of-pocket, exam-related expenses was also past due. For more information, contact ARRL VEC