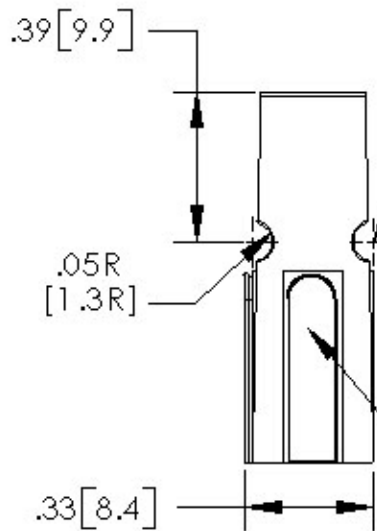


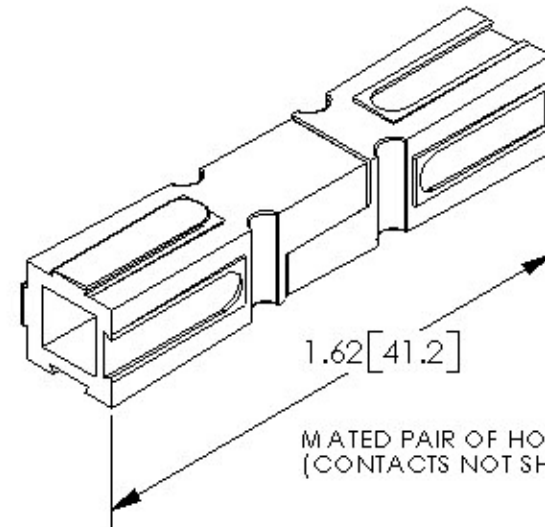
THE INFORMATION CONTAINED IN THIS DRAWING IS THE SOLE PROPERTY OF ANDERSON POWER PRODUCTS. ANY REPRODUCTION IN PART OR WHOLE WITHOUT THE WRITTEN PERMISSION OF ANDERSON POWER PRODUCTS IS PROHIBITED.

REV.	DESCRIPTION OF CHANGES	BY:	DATE
3	REDRAWN TO CAD/UPDATED TECHNICAL DATA	CGC	4/22/98

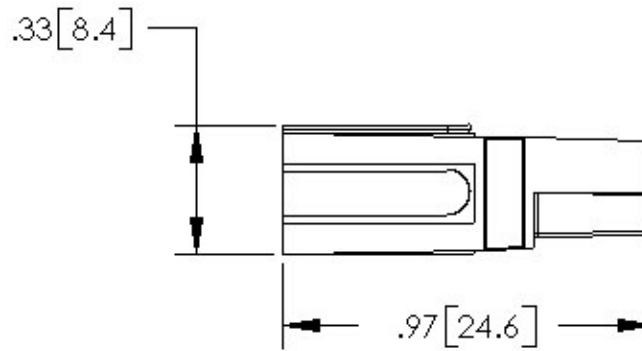
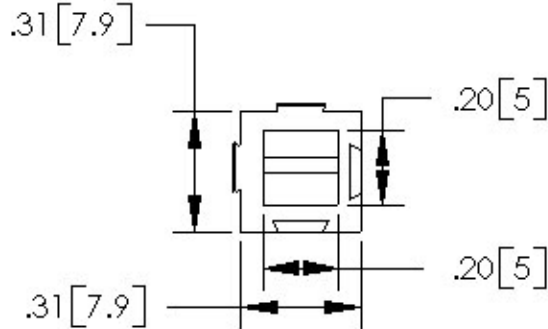


WHEN MATED SIDE TO SIDE, HALF-ROUNDS ALIGN TO FORM A SLOT FOR ROLL PIN INSERTION, WHICH PROTECTS AGAINST ACCIDENTAL DISLODGING OF MATED HOUSINGS.

DOVETAILS ALLOW STACKING IN VERTICAL, HORIZONTAL, OR IN BLOCK CONFIGURATIONS.



MATED PAIR OF HOUSINGS (CONTACTS NOT SHOWN)



CAT. NO.	COLOR
1327	RED
1327 G5	GREEN
1327 G6	BLACK
1327 G7	WHITE
1327 G8	BLUE
1327 G16	YELLOW
1327 G17	ORANGE
1327 G18	GRAY
1327 G21	BROWN
1327 G22	PINK
1327 G23	PURPLE

NOTES:

1. SPRING/HOUSING ASSEMBLIES ARE UL RECOGNIZED PER FILE E26226, CSA CERTIFIED PER LR25154, AND VDE CERTIFIED PER REGISTRY NO. 6302 UG.
2. THESE HOUSING ASSEMBLIES ACCOMMODATE ANDERSON CONTACTS FOR WIRE RANGES FROM #20 AWG TO #10 AWG.
3. FOR ASSEMBLY INSTRUCTIONS, SEE DOCUMENT I S1072.
4. HOUSINGS: POLYCARBONATE, UL94V0.  
SPRING: STAINLESS STEEL.  
FOR OTHER COLORS, CONSULT ANDERSON POWER PRODUCTS.

ITEM NO.	PART OR IDENTIFYING NO.	QUANTITY OF DESCRIPTION	MATERIAL SPECIFICATION	QTY REQ
PARTS LIST				
DIMENSIONS ARE IN INCHES DIMENSIONS IN PARENTHESES ( ) ARE IN MILLIMETERS		CAD GENERATED DRAWING DO NOT MANUALLY EDIT		<b>ANDERSON POWER PRODUCTS</b>
TOLERANCES ARE: 2 PLC. DECIMALS +/- .02 [+/- .5]		APPROVALS	DATE	
MATERIALS: <i>SEE NOTE 4.</i>		DESIGN R.D.I.	9-3-88	
FINISH <i>AS MOLDED</i>		ENGR'G E.D.W.	9-9-88	
NEXT ASSY	USED ON	PRICE	FOR 15 TO 45 AMP APPLICATIONS	
APPLICATION	DO NOT SCALE DRAWING	DEALING		
SIZE A		DWG. NO. 1-9597S1		REV. 3
SCALE		CAD FILE: 00351		SHEET 1 OF 1